



E-LINEUK

Cable Support Systems



2020/1

E-LINEUK

Please visit our website for the updated version of our catalogues.
www.eaelectric.com



CABLE TRAY SYSTEMS



TS EN 61537





EAE Grup in numbers;



1973
year of foundation

Founded in 1973, EAE Elektrik A.S. being the parent company of EAE Group is a worldwide manufacturer of electrical products.



280.000m²
closed manufacturing
area

Founded : in 1973
Closed Manufacturing Area : 280.000m²
Range of Products : Busbar Power Distribution Systems
Lighting Busbar Systems
Cable Tray Systems
Underfloor Trunking
Trolley Busbar Systems



5
manufacturing
plants

Companies : EAE Elektrik
EAE Aydınlatma
EAE Elektroteknik
EAE Teknoloji
EAE Makine



3
R&D Centers

Number of Plants : 5

"Lean Production" and "Innovative and Customer Driven Product Development" approaches are the key values utilized in designing and manufacturing the product families in compliance with ISO 9001, ISO 14001, OHSAS 18001 and ISO 27001.



100+
countries of export

EAE Elektrik A.S. busbar products are certified by KEMA/DEKRA (Holland), KEMA - KEUR, UL classified laboratories as per IEC 61537-1/6 standards.







E-LINE UKS-UKFE

CABLE TRAY SYSTEMS

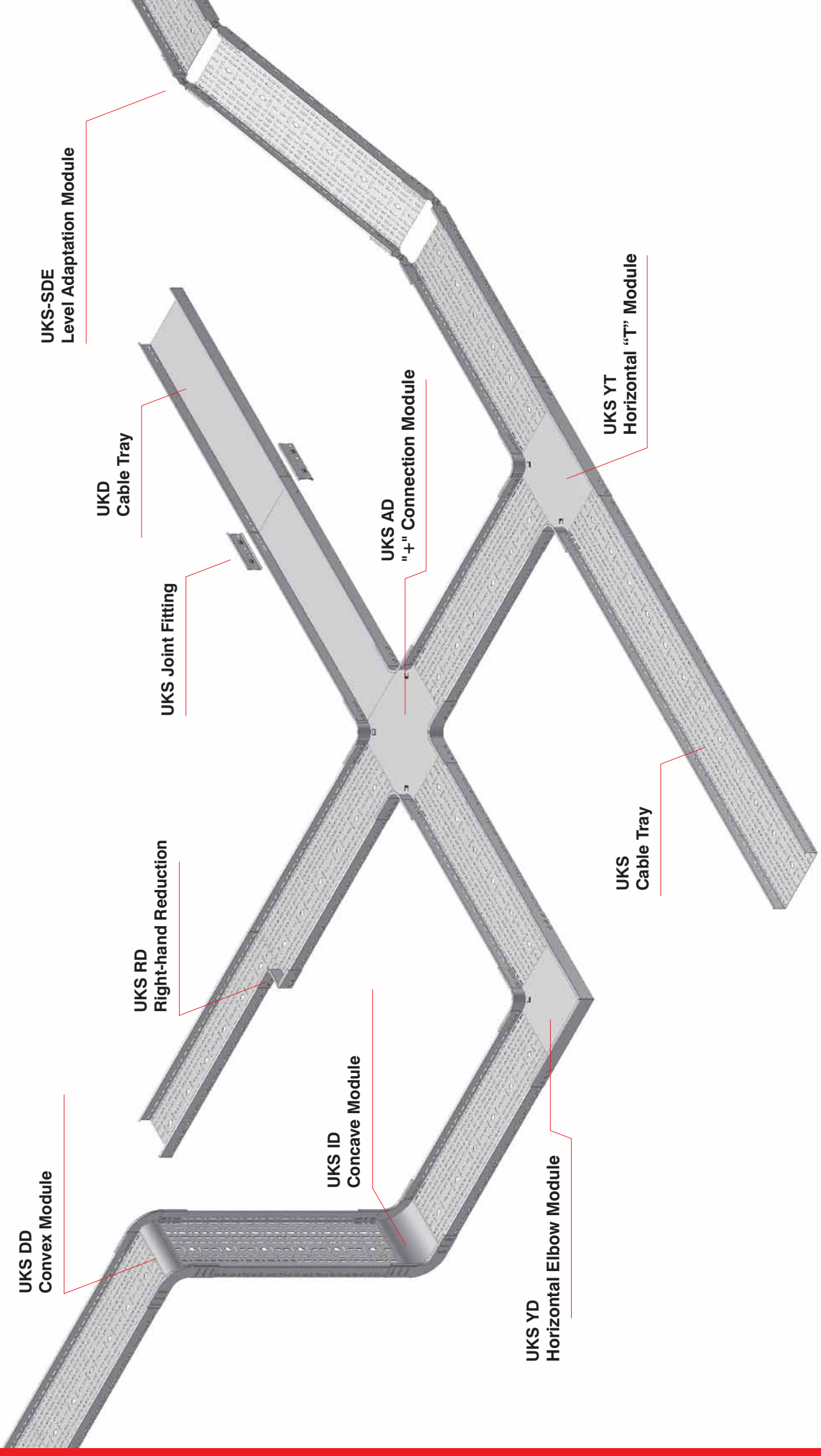


Pre-galvanized
UKS-UKFE-UMK-UKD
Cable Tray Systems
And Accessories

UKS-UKFE

E-Line UKS-UKFE

Cable Tray and Modules



UKS DD
Convex Module

UKS ID
Concave Module

UKS YD
Horizontal Elbow Module

UKS RD
Right-hand Reduction

UKS AD
"+-" Connection Module

UKS YT
Horizontal "T" Module

UKD
Cable Tray

UKS Joint Fitting

UKS-SDE
Level Adaptation Module

UKS
Cable Tray

CONTENTS

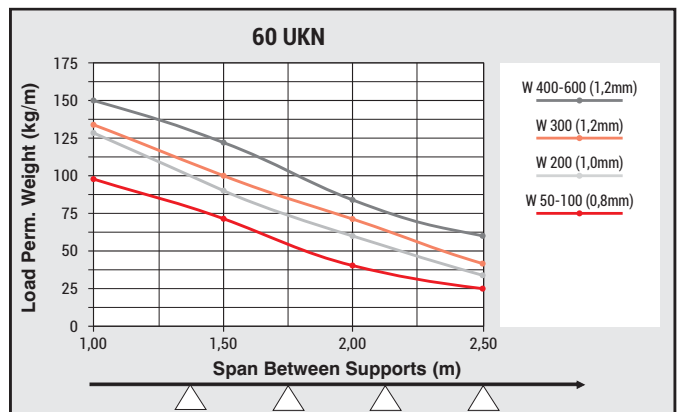
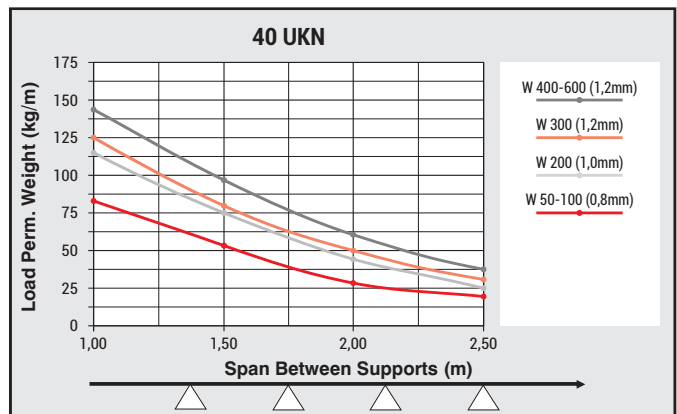
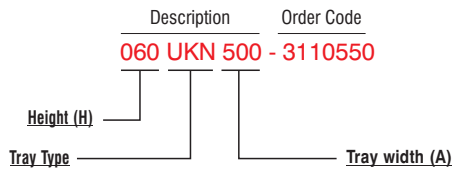
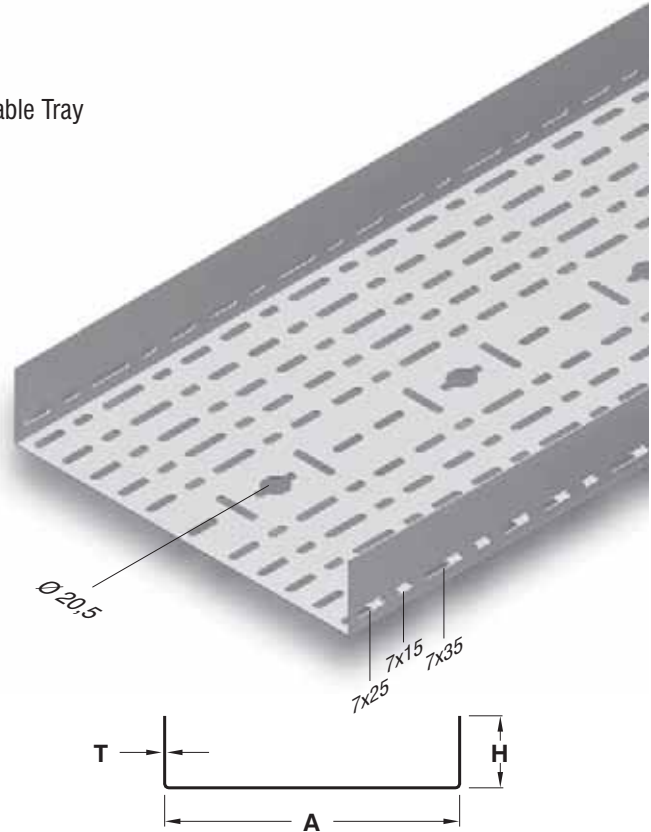
2	UKN Cable Tray Systems
3	UKS Cable Tray Systems
4	UKD Cable Tray Systems
5	UMK Cable Ladder Systems
6	UKFE Cable Tray Systems
7-17	UKS Cable Tray System Modules
18-19	UKS Reduction
20	UKS YT Half "T" Module
21	UKS Level Adaptation and Joint Set
22	UK SDE Elbow Protection Plate
23-26	UKK Tray Covers and Module Covers
27	UKS End Cover and Expansion Set
28	UKS Omega Clamp
29	Support Accessories

►► UKN CABLE TRAYS

Pre-galvanized (TS EN 10346 - TS EN 10143)

Description	H (mm)	A (mm)	T (mm)	Weight (kg./m.)	Order Code	Pack (m.)
040 UKN 50	40	50	0,8	0,697	3110538	1140
040 UKN 100	40	100	0,8	0,955	3110539	804
040 UKN 200	40	200	1	1,827	3110540	450
040 UKN 300	40	300	1,2	2,962	3110541	228
040 UKN 400	40	400	1,5	4,656	3110542	216
040 UKN 500	40	500	1,5	5,620	3110543	108
040 UKN 600	40	600	1,5	6,585	3110544	108
060 UKN 50	60	50	0,8	0,949	3110545	720
060 UKN 100	60	100	0,8	1,206	3110546	510
060 UKN 200	60	200	1	2,145	3110547	300
060 UKN 300	60	300	1,2	3,340	3110548	156
060 UKN 400	60	400	1,5	5,127	3110549	144
060 UKN 500	60	500	1,5	6,090	3110550	72
060 UKN 600	60	600	1,5	7,056	3110551	72

Cable Tray



►► UKN JOINT FITTING

Pre-galvanized (TS EN 10346 - TS EN 10143)

Description	H (mm)	T (mm)	Weight (kg./pc)	Order Code	Pack (pcs.)
UKN JOINT FITTING	40-60	1,5	0,132	3114708	150



■ Load Perm. Weight may change +/- according to the sheet tolerance and hardness.
Please contact to your customer representative for detailed information.

- Please indicate order code in your orders.
- Please contact us for special dimensions.
- Material weights may vary by ± 10%

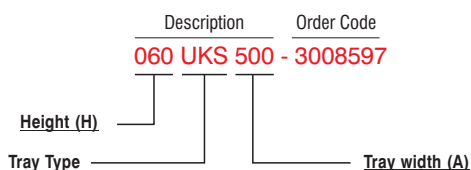
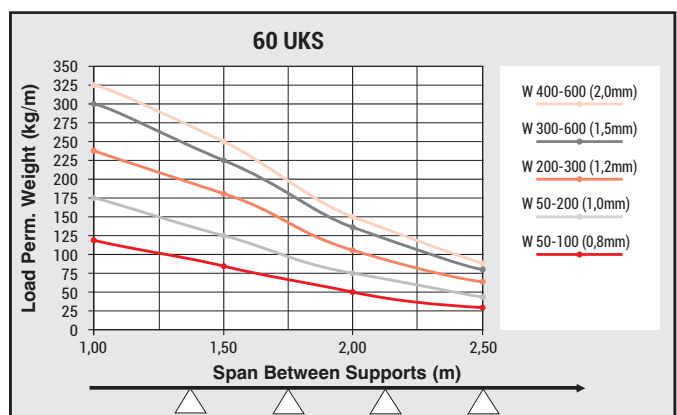
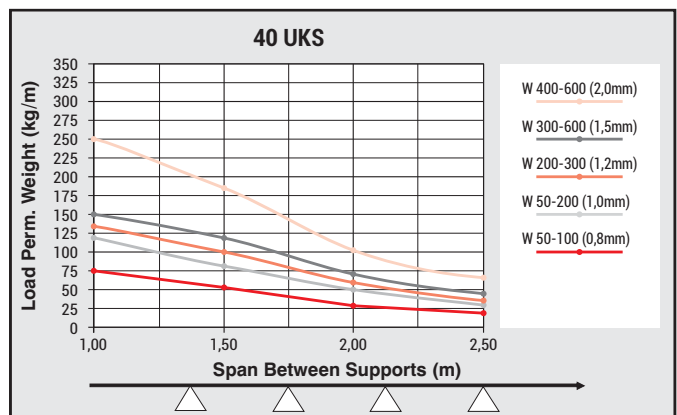
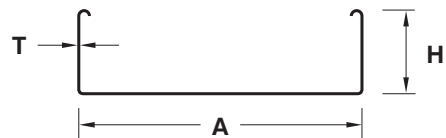
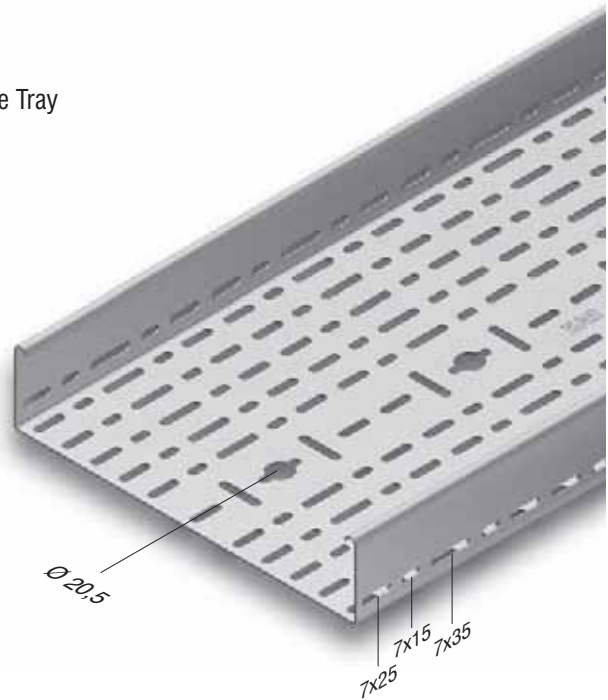
- UKN cable tray are compatible with all modules and accessories of UKS cable tray.
- Standard length is 3000 mm.

►► UKS CABLE TRAYS

Pre-galvanized (TS EN 10346 - TS EN 10143)

Description	H (mm)	A (mm)	T (mm)	Weight (kg./m.)	Order Code	Pack (m.)
040 UKS 50	40	50	0,8	0,784	3006325	1140
040 UKS 50	40	50	1	0,976	3008609	1140
040 UKS 100	40	100	0,8	1,041	3006324	804
040 UKS 100	40	100	1	1,299	3008608	804
040 UKS 150	40	150	1	1,619	3008607	570
040 UKS 200	40	200	1	1,940	3086555	450
040 UKS 200	40	200	1,2	2,323	3008606	450
040 UKS 250	40	250	1,2	2,709	3008605	216
040 UKS 300	40	300	1,2	3,125	3086556	228
040 UKS 300	40	300	1,5	3,883	3008604	228
040 UKS 400	40	400	1,5	4,835	3008603	216
040 UKS 400	40	400	2	6,438	3086557	216
040 UKS 500	40	500	1,5	5,800	3008602	108
040 UKS 500	40	500	2	7,712	3086558	108
040 UKS 600	40	600	1,5	6,765	3001750	108
040 UKS 600	40	600	2	8,998	3086559	108
<hr/>						
060 UKS 50	60	50	0,8	1,035	3006323	720
060 UKS 50	60	50	1	1,290	3008245	720
060 UKS 100	60	100	0,8	1,293	3006322	510
060 UKS 100	60	100	1	1,612	3008244	510
060 UKS 150	60	150	1	1,933	3008243	396
060 UKS 200	60	200	1	2,254	3086560	300
060 UKS 200	60	200	1,2	2,700	3008601	300
060 UKS 250	60	250	1,2	3,086	3008600	180
060 UKS 300	60	300	1,2	3,479	3086561	156
060 UKS 300	60	300	1,5	4,330	3008599	156
060 UKS 400	60	400	1,5	5,306	3008598	144
060 UKS 400	60	400	2	7,066	3086562	144
060 UKS 500	60	500	1,5	6,271	3008597	72
060 UKS 500	60	500	2	8,340	3086563	72
060 UKS 600	60	600	1,5	7,236	3001751	72
060 UKS 600	60	600	2	9,626	3086564	72

Cable Tray



- Please indicate order code in your orders.
- Please contact us for special dimensions.
- Material weights may vary by ± 10%

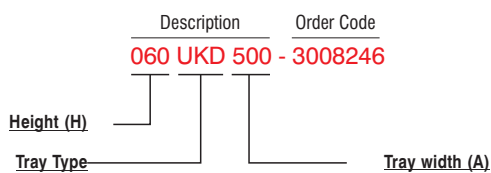
■ Load Perm. Weight may change +/- according to the sheet tolerance and hardness.
Please contact to your customer representative for detailed information.

- UKS tray can be manufactured as 6000 mm.
- Standard length is 3000 mm.

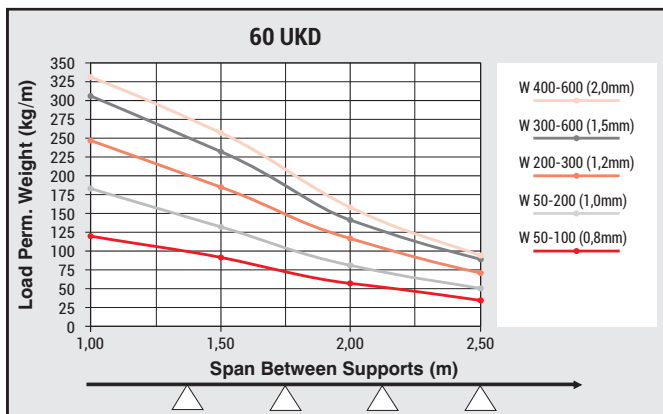
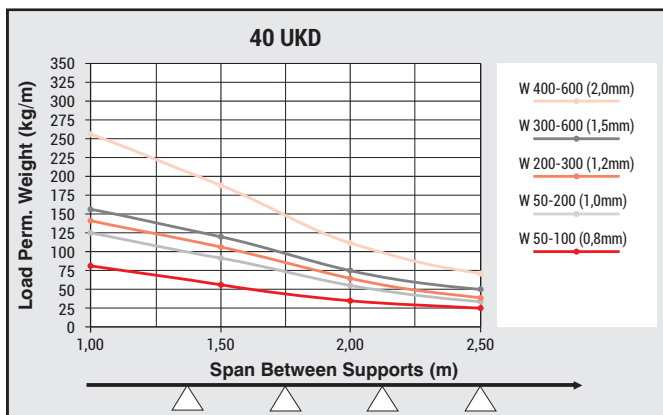
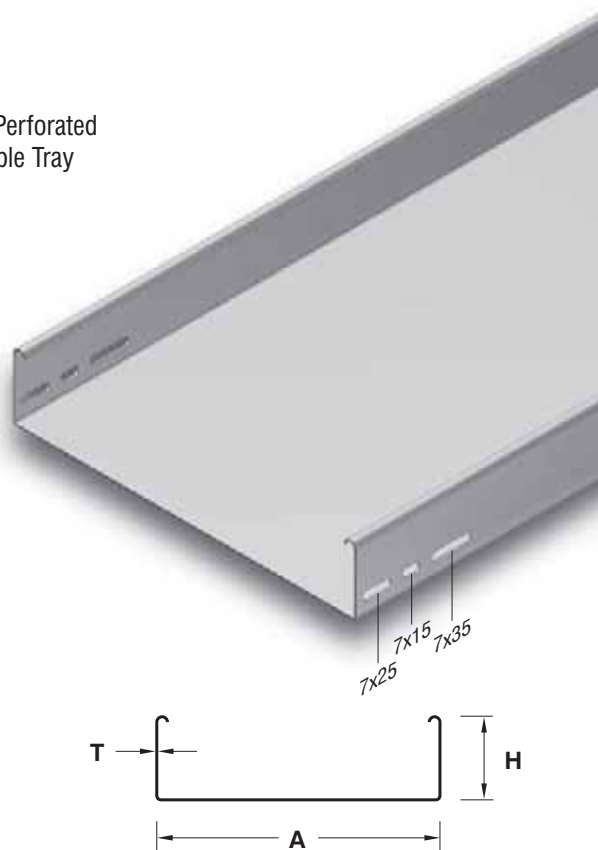
▶▶ UKD CABLE TRAY

Pre-galvanized (TS EN 10346 - TS EN 10143)

Description	H (mm)	A (mm)	T (mm)	Weight (kg./m.)	Order Code	Pack (m)
040 UKD 050	40	50	0,8	0,882	3005347	1140
040 UKD 050	40	50	1	1,099	3008258	1140
040 UKD 100	40	100	0,8	1,196	3005346	804
040 UKD 100	40	100	1	1,491	3008257	804
040 UKD 150	40	150	1	1,884	3008256	570
040 UKD 200	40	200	1	2,281	3086565	450
040 UKD 200	40	200	1,2	2,750	3008255	450
040 UKD 250	40	250	1,2	3,207	3008254	216
040 UKD 300	40	300	1,2	3,693	3086566	228
040 UKD 300	40	300	1,5	4,588	3008253	228
040 UKD 400	40	400	1,5	5,766	3008252	216
040 UKD 400	40	400	2	7,677	3086567	216
040 UKD 500	40	500	1,5	6,943	3008251	108
040 UKD 500	40	500	2	9,247	3086568	108
040 UKD 600	40	600	1,5	8,121	3001752	108
040 UKD 600	40	600	2	10,817	3086569	108
<hr/>						
060 UKD 050	60	50	0,8	1,134	3005335	720
060 UKD 050	60	50	1	1,413	3008173	720
060 UKD 100	60	100	0,8	1,448	3005334	510
060 UKD 100	60	100	1	1,805	3008172	510
060 UKD 150	60	150	1	2,198	3008171	396
060 UKD 200	60	200	1	2,595	3086570	300
060 UKD 200	60	200	1,2	3,120	3008250	300
060 UKD 250	60	250	1,2	3,574	3008249	180
060 UKD 300	60	300	1,2	4,015	3086571	156
060 UKD 300	60	300	1,5	5,059	3008248	156
060 UKD 400	60	400	1,5	6,237	3008247	144
060 UKD 400	60	400	2	8,305	3086572	144
060 UKD 500	60	500	1,5	7,414	3008246	72
060 UKD 500	60	500	2	9,875	3086573	72
060 UKD 600	60	600	1,5	8,592	3001753	72
060 UKD 600	60	600	2	11,445	3086574	72



Non Perforated Cable Tray



■ Load Perm. Weight may change +/- according to the sheet tolerance and hardness.

Please contact to your customer representative for detailed information.

■ Standard length is 3000 mm.

- Please indicate order code in your orders.
- Please contact us for special dimensions.
- Material weights may vary by ± 10%

►► **UMK UNIVERSAL CABLE LADDERS**

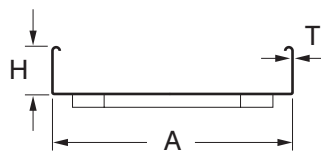
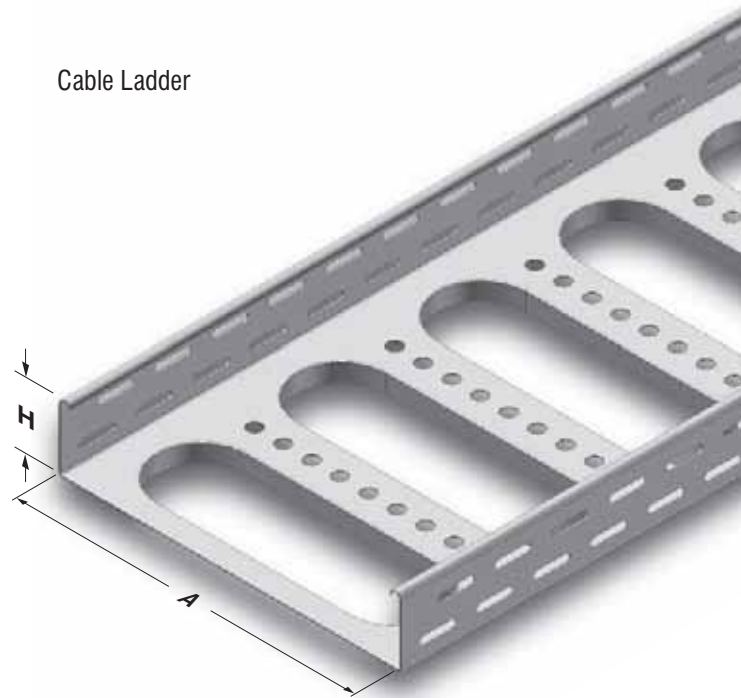
Pre-galvanized (TS EN 10346 - TS EN 10143)

Description	H (mm)	A (mm)	T (mm)	Weight (kg./m.)	Order Code	Pack (m)
060 UMK 100	60	100	0,8	1,141	3006332	450
060 UMK 200	60	200	1	1,942	3008099	270
060 UMK 300	60	300	1,2	2,970	3008100	156
060 UMK 400	60	400	1,2	3,519	3008101	114

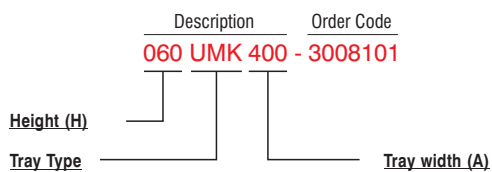
■ Standard length is 3000 mm.

■ UKS cable tray system's modules are suitable for UMK cable ladder system.

Cable Ladder



Sample Order:
 Height (H): 60 mm
 Tray Width (A): 400 mm
 Sheet Metal Thickness (T): 1,2 mm
 Pre-galvanized (P), Cable Ladder.



* UMK can be used in all applications, vertical cable mounting, horizontal and vertical distribution of low current and telephone and data cables.

* Special design of ladder windows prevents cable from being cut or stripped off.

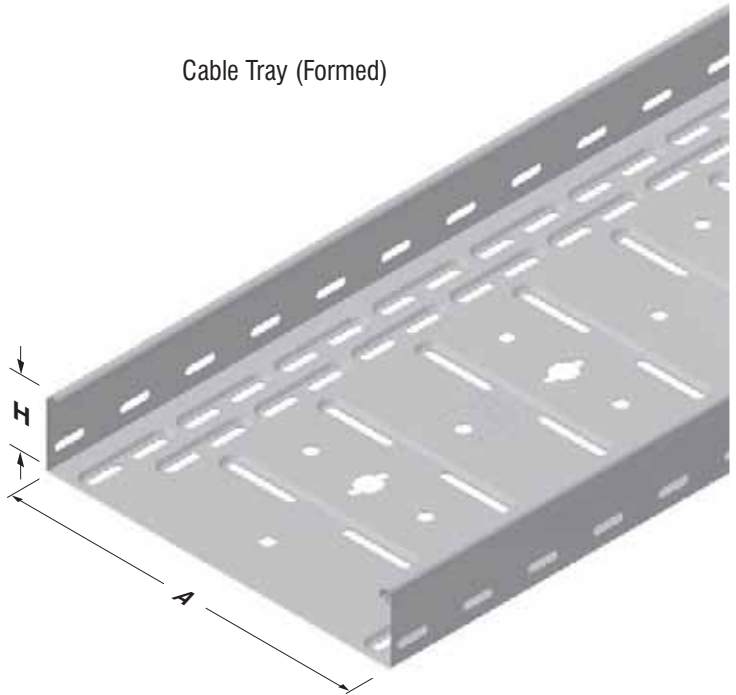
- Used in raised floors and data centre systems.
- Please indicate order code in your orders.
- Please contact us for special dimensions.
- Material weights may vary by ± 10%

►► UKFE CABLE TRAYS

Pre-galvanized (TS EN 10346 - TS EN 10143)

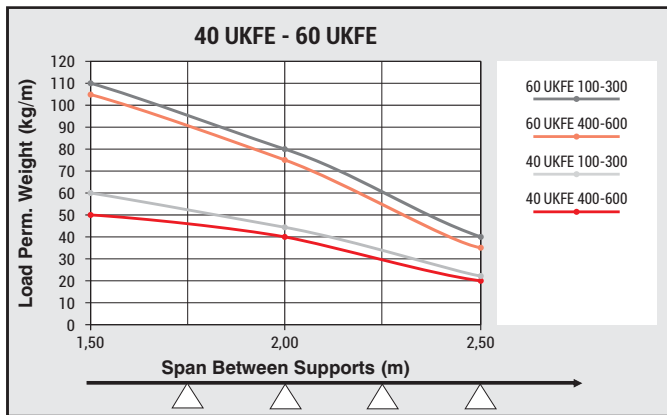
Description	H (mm)	A (mm)	T (mm)	Weight (kg./m.)	Order Code	Pack (m)
40 UKFE 100	40	100	0,7	1,010	3108992	612
40 UKFE 200	40	200	0,7	1,488	3108993	288
40 UKFE 300	40	300	0,7	2,031	3108994	216
40 UKFE 400	40	400	0,9	3,253	3117226	192
40 UKFE 500	40	500	0,9	3,918	3117227	102
40 UKFE 600	40	600	0,9	4,594	3117228	102
<hr/>						
60 UKFE 100	60	100	0,7	1,287	3109001	432
60 UKFE 200	60	200	0,7	1,708	3109002	198
60 UKFE 300	60	300	0,7	2,227	3109003	144
60 UKFE 400	60	400	0,9	3,535	3109004	114
60 UKFE 500	60	500	0,9	4,201	3109005	72
60 UKFE 600	60	600	0,9	4,876	3109006	72

Cable Tray (Formed)

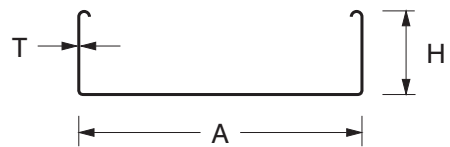


■ Standard length is 3000 mm.

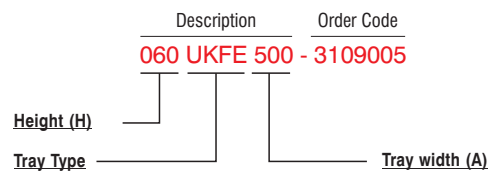
■ UKS cable tray system's modules are suitable for UKFE cable tray system.



■ Load Perm. Weight may change +/- according to the sheet tolerance and hardness.
Please contact to your customer representative for detailed information.



Sample Order:
Height (H): 60 mm
Tray Width (A): 500 mm
Sheet Metal Thickness (T): 0,9 mm
Pre-galvanized (P), Cable Tray



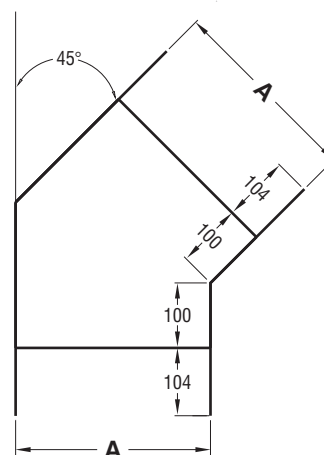
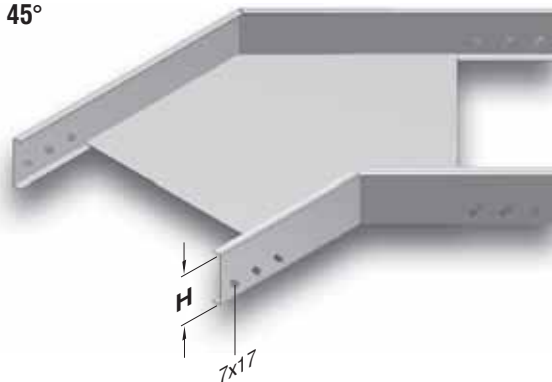
- Please indicate order code in your orders.
- Please contact us for special dimensions.
- Material weights may vary by ± 10%

►► UKS HORIZONTAL ELBOW MODULE (45°)

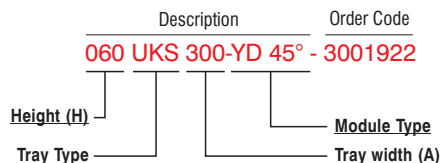
Pre-galvanized (TS EN 10346 - TS EN 10143)

Description	H (mm)	A (mm)	T (mm)	Weight (kg./pc.)	Order Code
040 UKS 50 YD 45°	40	50	1,2	0,609	3001908
040 UKS 100 YD 45°	40	100	1,2	0,762	3001909
040 UKS 150 YD 45°	40	150	1,2	0,933	3001910
040 UKS 200 YD 45°	40	200	1,2	1,125	3001911
040 UKS 250 YD 45°	40	250	1,2	1,339	3001912
040 UKS 300 YD 45°	40	300	1,2	1,571	3001913
040 UKS 400 YD 45°	40	400	1,2	2,098	3001914
040 UKS 500 YD 45°	40	500	1,2	2,705	3001915
040 UKS 600 YD 45°	40	600	1,2	3,393	3001916
060 UKS 50 YD 45°	60	50	1,2	0,776	3001917
060 UKS 100 YD 45°	60	100	1,2	0,937	3001918
060 UKS 150 YD 45°	60	150	1,2	1,117	3001919
060 UKS 200 YD 45°	60	200	1,2	1,316	3001920
060 UKS 250 YD 45°	60	250	1,2	1,539	3001921
060 UKS 300 YD 45°	60	300	1,2	1,779	3001922
060 UKS 400 YD 45°	60	400	1,2	2,322	3001923
060 UKS 500 YD 45°	60	500	1,2	2,945	3001924
060 UKS 600 YD 45°	60	600	1,2	3,649	3001925

YD 45°



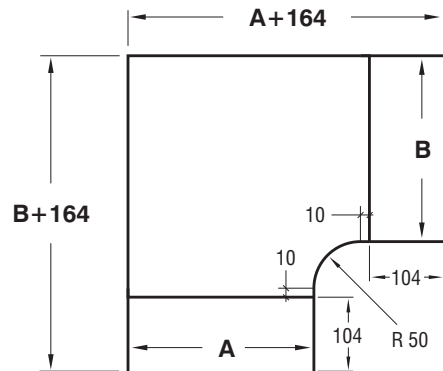
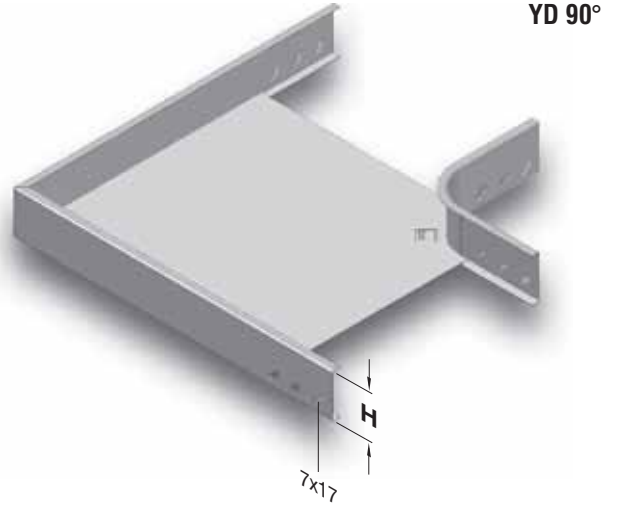
Sample Order:
 Height (H): 60 mm,
 Tray Width (A): 300 mm,
 Sheet Metal Thickness (T): 1,2 mm,
 Pregalvanized (P),
 Horizontal Elbow Module 135°



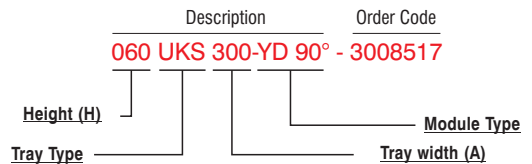
- Please indicate order code in your orders.
- Please contact us for special size.
- Material weights may vary by ± 10%

►► **UKS HORIZONTAL ELBOW MODULE (90°) R=50**
 Pre-galvanized (TS EN 10346 - TS EN 10143)

Description	H (mm)	AB (mm)	T (mm)	Weight (kg/pc)	Order Code
040 UKS 50 YD 90°	40	50	1,2	0,518	3008527
040 UKS 100 YD 90°	40	100	1,2	0,708	3008526
040 UKS 150 YD 90°	40	150	1,2	0,947	3008525
040 UKS 200 YD 90°	40	200	1,2	1,235	3008524
040 UKS 250 YD 90°	40	250	1,2	1,571	3008523
040 UKS 300 YD 90°	40	300	1,2	1,956	3008522
040 UKS 400 YD 90°	40	400	1,2	2,873	3008521
040 UKS 500 YD 90°	40	500	1,2	3,985	3008520
040 UKS 600 YD 90°	40	600	1,2	5,291	3001754
060 UKS 50 YD 90°	60	50	1,2	0,661	3008210
060 UKS 100 YD 90°	60	100	1,2	0,870	3008218
060 UKS 150 YD 90°	60	150	1,2	1,129	3008217
060 UKS 200 YD 90°	60	200	1,2	1,437	3008519
060 UKS 250 YD 90°	60	250	1,2	1,792	3008518
060 UKS 300 YD 90°	60	300	1,2	2,197	3008517
060 UKS 400 YD 90°	60	400	1,2	3,153	3008516
060 UKS 500 YD 90°	60	500	1,2	4,303	3008515
060 UKS 600 YD 90°	60	600	1,2	5,650	3001755



Sample Order:
 Height (H): 60 mm,
 Tray Width (AB): 300 mm,
 Sheet Metal Thickness (T): 1,2 mm,
 Pregalvanized (P),
 Horizontal Elbow Module 90° .

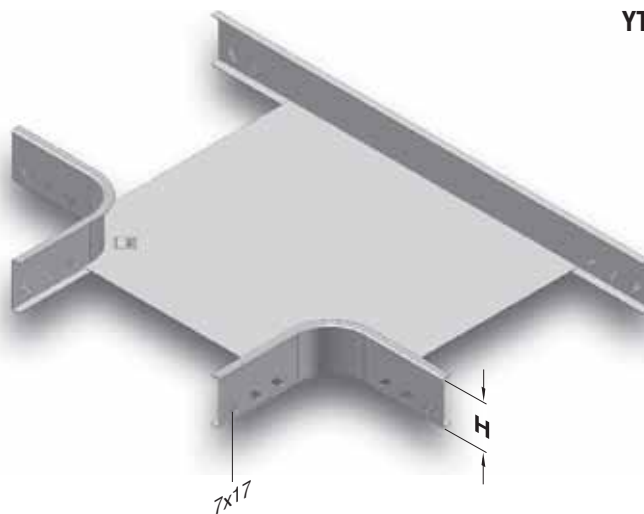


- Please indicate order code in your orders.
- Please contact us for special size.
- Material weights may vary by ± 10%

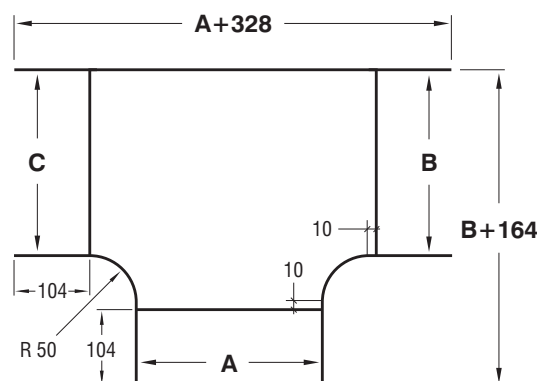
►► UKS "T" MODULE **R=50**

Pre-galvanized (TS EN 10346 - TS EN 10143)

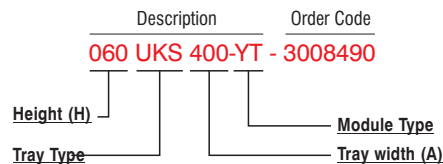
Description	H (mm)	ABC (mm)	T (mm)	Weight (kg./pc.)	Order Code
040 UKS 50 YT	40	50	1,2	0,702	3008501
040 UKS 100 YT	40	100	1,2	0,893	3008500
040 UKS 150 YT	40	150	1,2	1,132	3008499
040 UKS 200 YT	40	200	1,2	1,419	3008498
040 UKS 250 YT	40	250	1,2	1,756	3008497
040 UKS 300 YT	40	300	1,2	2,141	3008496
040 UKS 400 YT	40	400	1,2	3,058	3008495
040 UKS 500 YT	40	500	1,2	4,169	3008494
040 UKS 600 YT	40	600	1,2	5,477	3001756
060 UKS 50 YT	60	50	1,2	0,896	3008216
060 UKS 100 YT	60	100	1,2	1,096	3008215
060 UKS 150 YT	60	150	1,2	1,344	3008214
060 UKS 200 YT	60	200	1,2	1,642	3008493
060 UKS 250 YT	60	250	1,2	1,988	3008492
060 UKS 300 YT	60	300	1,2	2,383	3008491
060 UKS 400 YT	60	400	1,2	3,319	3008490
060 UKS 500 YT	60	500	1,2	4,451	3008489
060 UKS 600 YT	60	600	1,2	5,776	3001757



YT



Sample Order:
 Height (H): 60 mm,
 Tray Width (ABC): 400 mm,
 Sheet Metal Thickness (T): 1,2 mm,
 Pre-galvanized (P),
 "T" Module.



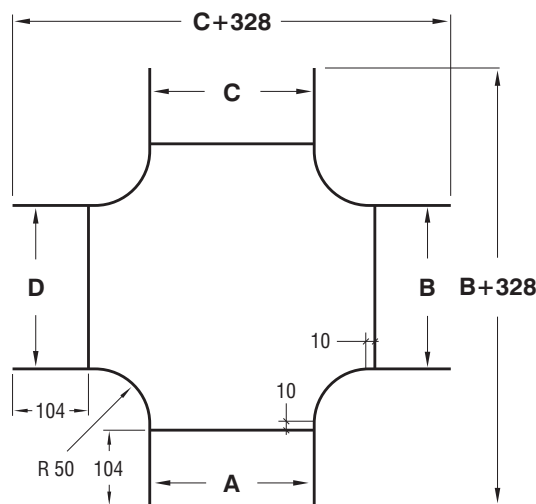
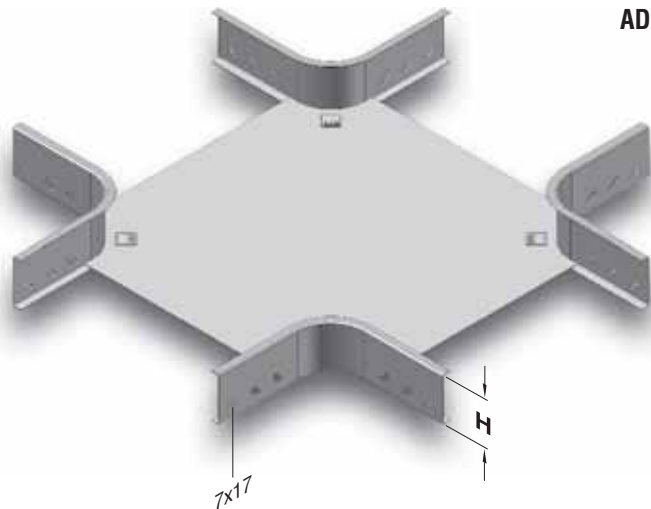
- Please indicate order code in your orders.
- Please contact us for special size.
- Material weights may vary by ± 10%



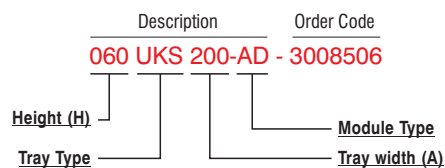
►► UKS "+" CONNECTION MODULE R=50

Pre-galvanized (TS EN 10346 - TS EN 10143)

Description	H (mm)	ABCD (mm)	T (mm)	Weight (kg./pc.)	Order Code
040 UKS 50 AD	40	50	1,2	0,880	3008514
040 UKS 100 AD	40	100	1,2	1,070	3008513
040 UKS 150 AD	40	150	1,2	1,309	3008512
040 UKS 200 AD	40	200	1,2	1,597	3008511
040 UKS 250 AD	40	250	1,2	1,933	3008510
040 UKS 300 AD	40	300	1,2	2,319	3008509
040 UKS 400 AD	40	400	1,2	3,235	3008508
040 UKS 500 AD	40	500	1,2	4,347	3008507
040 UKS 600 AD	40	600	1,2	5,654	3001758
060 UKS 50 AD	60	50	1,2	1,119	3008213
060 UKS 100 AD	60	100	1,2	1,309	3008212
060 UKS 150 AD	60	150	1,2	1,548	3008211
060 UKS 200 AD	60	200	1,2	1,835	3008506
060 UKS 250 AD	60	250	1,2	2,172	3008505
060 UKS 300 AD	60	300	1,2	2,557	3008504
060 UKS 400 AD	60	400	1,2	3,474	3008503
060 UKS 500 AD	60	500	1,2	4,586	3008502
060 UKS 600 AD	60	600	1,2	5,893	3001759



Sample Order:
 Height (H): 60 mm,
 Tray Width (ABCD): 200 mm,
 Sheet Metal Thickness (T): 1,2 mm,
 Pre-galvanized (P),
 "+" Connection Module.

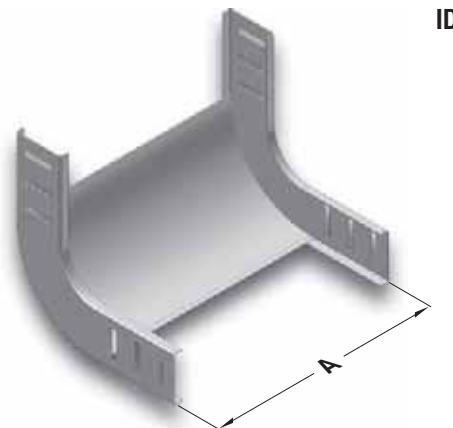


- Please indicate order code in your orders.
- Please contact us for special size.
- Material weights may vary by ± 10%

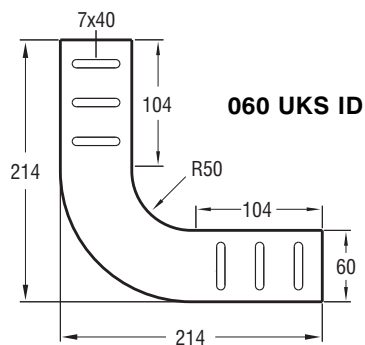
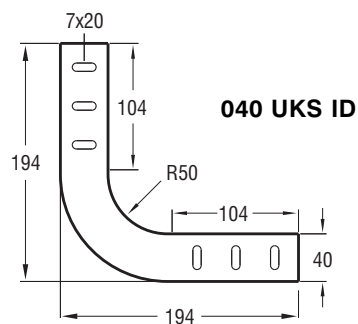
►► UKS CONCAVE MODULE (90°) R=50

Pre-galvanized (TS EN 10346 - TS EN 10143)

Description	A (mm)	T (mm)	Weight (kg./pc.)	Order Code
040 UKS 50 ID	50	1,2	0,465	3008488
040 UKS 100 ID	100	1,2	0,537	3008487
040 UKS 150 ID	150	1,2	0,610	3008486
040 UKS 200 ID	200	1,2	0,683	3008485
040 UKS 250 ID	250	1,2	0,755	3008484
040 UKS 300 ID	300	1,2	0,828	3008483
040 UKS 400 ID	400	1,2	0,973	3008482
040 UKS 500 ID	500	1,2	1,118	3008481
040 UKS 600 ID	600	1,2	1,263	3001760
060 UKS 50 ID	50	1,2	0,637	3008205
060 UKS 100 ID	100	1,2	0,724	3008206
060 UKS 150 ID	150	1,2	0,812	3008207
060 UKS 200 ID	200	1,2	0,899	3008480
060 UKS 250 ID	250	1,2	0,987	3008479
060 UKS 300 ID	300	1,2	1,074	3008478
060 UKS 400 ID	400	1,2	1,249	3008477
060 UKS 500 ID	500	1,2	1,424	3008476
060 UKS 600 ID	600	1,2	1,599	3001761



ID



Sample Order:

Height (H): 60 mm,
 Tray Width (AB): 400 mm,
 Sheet Metal Thickness (T): 1,2 mm,
 Pre-galvanized (P),
 Concave Module.

Description	Order Code
060 UKS 400-ID -	3008477

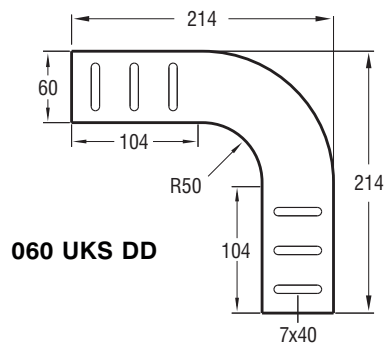
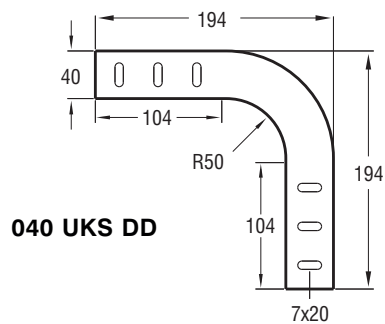
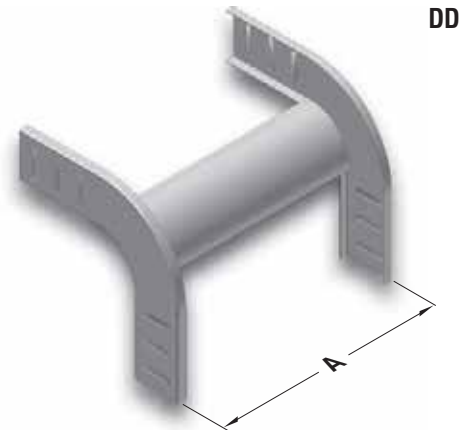
Height (H) ———— Module Type
 Tray Type ———— Tray width (A)

- Please indicate order code in your orders.
- Please contact us for special size.
- Material weights may vary by ± 10%

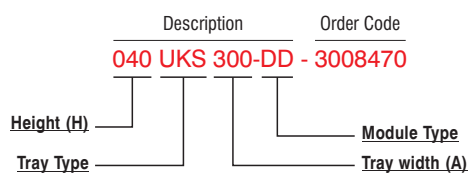
►► **UKS CONVEX MODULE (90°) R=50**

Pre-galvanized (TS EN 10346 - TS EN 10143)

Description	A (mm)	T (mm)	Weight (kg./pc.)	Order Code
040 UKS 50 DD	50	1,2	0,436	3008475
040 UKS 100 DD	100	1,2	0,479	3008474
040 UKS 150 DD	150	1,2	0,522	3008473
040 UKS 200 DD	200	1,2	0,565	3008472
040 UKS 250 DD	250	1,2	0,608	3008471
040 UKS 300 DD	300	1,2	0,651	3008470
040 UKS 400 DD	400	1,2	0,736	3008469
040 UKS 500 DD	500	1,2	0,822	3008468
040 UKS 600 DD	600	1,2	0,908	3001762
060 UKS 50 DD	50	1,2	0,594	3008204
060 UKS 100 DD	100	1,2	0,637	3008209
060 UKS 150 DD	150	1,2	0,680	3008208
060 UKS 200 DD	200	1,2	0,723	3008467
060 UKS 250 DD	250	1,2	0,765	3008466
060 UKS 300 DD	300	1,2	0,808	3008465
060 UKS 400 DD	400	1,2	0,894	3008464
060 UKS 500 DD	500	1,2	0,980	3008463
060 UKS 600 DD	600	1,2	1,065	3001763



Sample Order:
 Height (H): 40 mm,
 Tray Width (AB): 300 mm,
 Sheet Metal Thickness (T): 1,2 mm,
 Pre-galvanized (P),
 Convex Module.

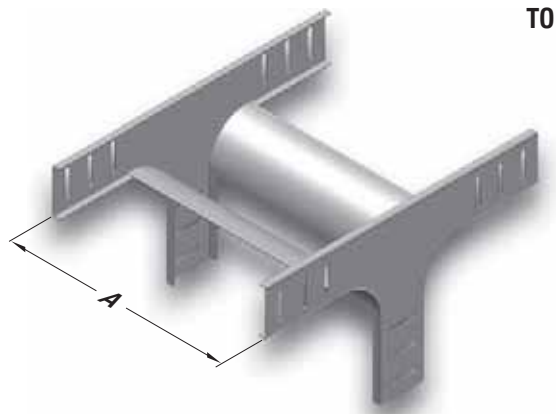


- Please indicate order code in your orders.
- Please contact us for special size.
- Material weights may vary by ± 10%

►► UKS "T" MIDDLE DESCENT MODULE R=50

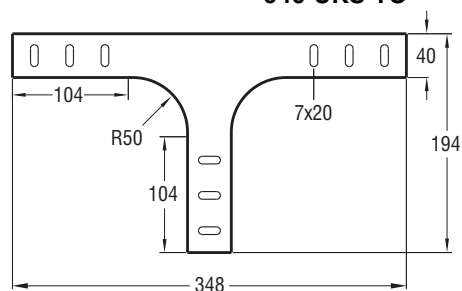
Pre-galvanized (TS EN 10346 - TS EN 10143)

Description	A (mm)	T (mm)	Weight (kg./pc.)	Order Code
040 UKS 50 TO	50	1,2	0,675	3195732
040 UKS 100 TO	100	1,2	0,760	3195733
040 UKS 150 TO	150	1,2	0,846	3195734
040 UKS 200 TO	200	1,2	0,932	3195735
040 UKS 250 TO	250	1,2	1,017	3195736
040 UKS 300 TO	300	1,2	1,103	3195737
040 UKS 400 TO	400	1,2	1,275	3195738
040 UKS 500 TO	500	1,2	1,446	3195739
040 UKS 600 TO	600	1,2	1,617	3195740
060 UKS 50 TO	50	1,2	0,898	3195741
060 UKS 100 TO	100	1,2	0,984	3195742
060 UKS 150 TO	150	1,2	1,070	3195743
060 UKS 200 TO	200	1,2	1,155	3195744
060 UKS 250 TO	250	1,2	1,241	3195745
060 UKS 300 TO	300	1,2	1,327	3195746
060 UKS 400 TO	400	1,2	1,498	3195747
060 UKS 500 TO	500	1,2	1,669	3195748
060 UKS 600 TO	600	1,2	1,841	3195749

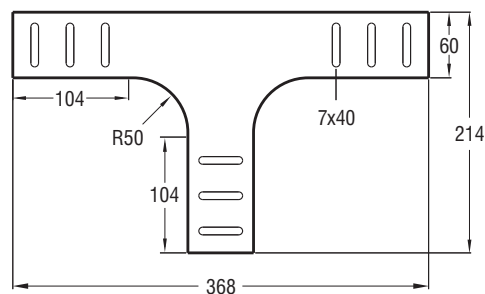


TO

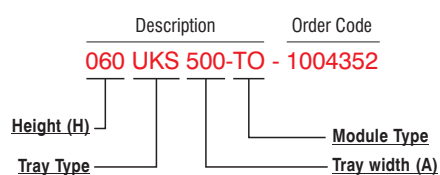
040 UKS TO



060 UKS TO



Sample Order:
 Height (H) (H): 60 mm,
 Tray Width (A): 500 mm,
 Sheet Metal Thickness (T): 1,2 mm,
 Pre-galvanized (P),
 "T" Middle Descent Module.

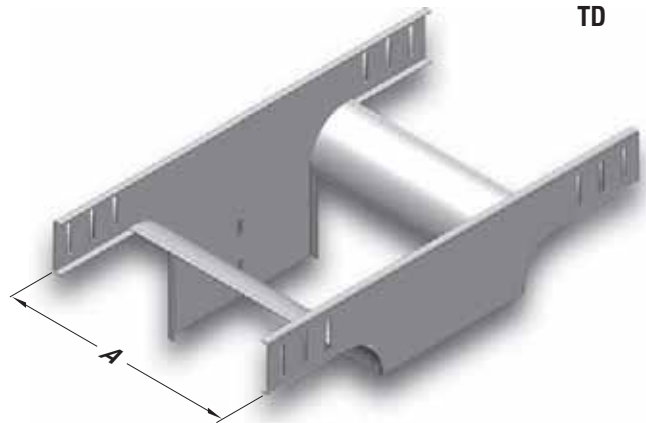


- Please indicate order code in your orders.
- Please contact us for special size.
- Material weights may vary by ± 10%

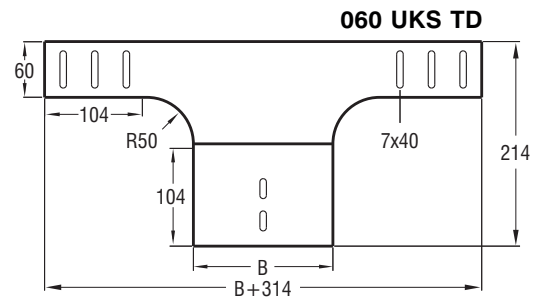
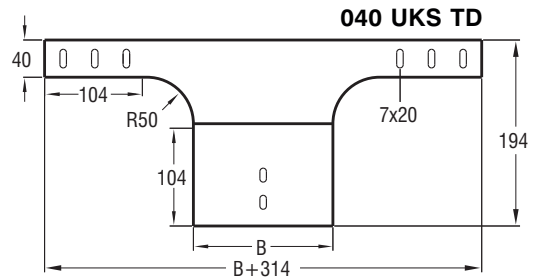
►► UKS "T" WALL DESCENT MODULE R=50

Pre-galvanized (TS EN 10346 - TS EN 10143)

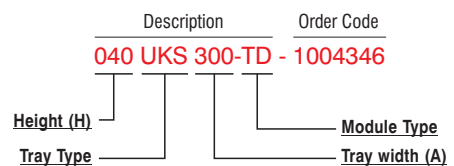
Description	A (mm)	B (mm)	T (mm)	Weight (kg./pc.)	Order Code
040 UKS 50 TD	50	50	1,2	0,646	3195713
040 UKS 100 TD	100	100	1,2	0,881	3195714
040 UKS 150 TD	150	150	1,2	1,116	3195715
040 UKS 200 TD	200	200	1,2	1,351	3195716
040 UKS 250 TD	250	200	1,2	1,437	3195717
040 UKS 300 TD	300	200	1,2	1,523	3195718
040 UKS 400 TD	400	200	1,2	1,694	3195719
040 UKS 500 TD	500	200	1,2	1,866	3195720
040 UKS 600 TD	600	200	1,2	2,037	3195721
060 UKS 50 TD	50	50	1,2	0,786	3195722
060 UKS 100 TD	100	100	1,2	1,040	3195724
060 UKS 150 TD	150	150	1,2	1,294	3195725
060 UKS 200 TD	200	200	1,2	1,548	3195726
060 UKS 250 TD	250	200	1,2	1,634	3195727
060 UKS 300 TD	300	200	1,2	1,720	3195728
060 UKS 400 TD	400	200	1,2	1,891	3195729
060 UKS 500 TD	500	200	1,2	2,062	3195730
060 UKS 600 TD	600	200	1,2	2,234	3195731



TD



Sample Order:
 Height (H) (H): 40 mm,
 Tray Width (A): 300 mm,
 Sheet Metal Thickness (T): 1,2 mm,
 Pre-galvanized (P),
 "T" Wall Descent Module.



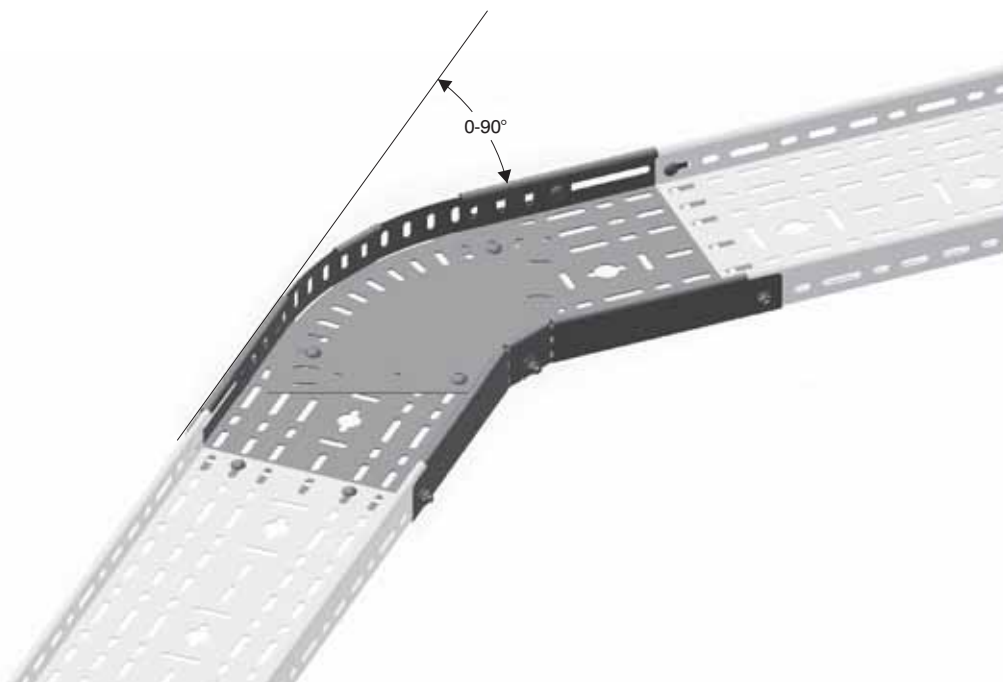
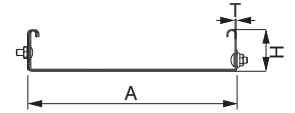
- Please indicate order code in your orders.
- Please contact us for special size.
- Material weights may vary by ± 10%

►► UKS FLEXIBLE ELBOW MODULE

Pre-galvanized (TS EN 10346 - TS EN 10143)

Description	A (mm)	L (mm)	T (mm)	Weight (kg./set)	M6X12 (set/pcs)	Order Code
40 UKS 100 FLEXIBLE ELBOW	100	310	1	0,65	4	3134573
40 UKS 150 FLEXIBLE ELBOW	150	390	1	1,03	4	3134574
40 UKS 200 FLEXIBLE ELBOW	200	460	1	1,39	4	3134575
40 UKS 300 FLEXIBLE ELBOW	300	610	1,2	2,65	4	3134576
40 UKS 400 FLEXIBLE ELBOW	400	790	1,2	4,28	4	3134577
40 UKS 500 FLEXIBLE ELBOW	500	930	1,5	9,27	6	3134578
40 UKS 600 FLEXIBLE ELBOW	600	1090	1,5	12,77	6	3134579
60 UKS 100 FLEXIBLE ELBOW	100	310	1	0,76	4	3134588
60 UKS 150 FLEXIBLE ELBOW	150	390	1	1,17	4	3134589
60 UKS 200 FLEXIBLE ELBOW	200	460	1	1,64	4	3134590
60 UKS 300 FLEXIBLE ELBOW	300	610	1,2	2,92	4	3134591
60 UKS 400 FLEXIBLE ELBOW	400	790	1,2	4,63	4	3134592
60 UKS 500 FLEXIBLE ELBOW	500	930	1,5	9,86	6	3134593
60 UKS 600 FLEXIBLE ELBOW	600	1090	1,5	13,47	6	3134594

Order information note: H: 3 sets of M6x12 bolts at 40-60 heights are shipped in modular form. After setting the angle, the M6x12 bolts that must be used on the base, have to be ordered separately, at the number as indicated on the table above.



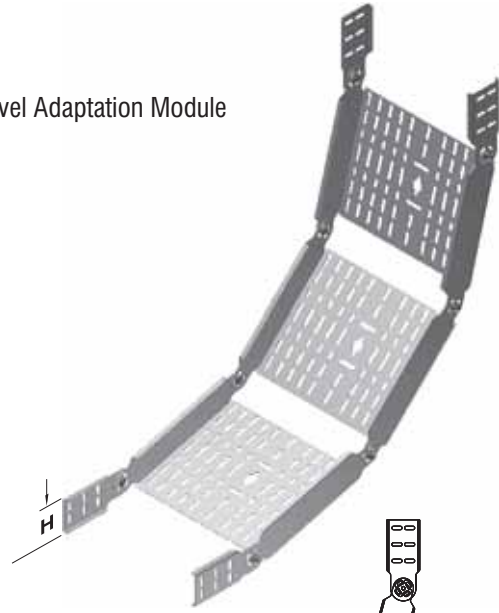
- Please indicate order code in your orders.
- Please contact us for special size.
- Material weights may vary by $\pm 10\%$

►► **UKS LEVEL ADAPTATION MODULE**

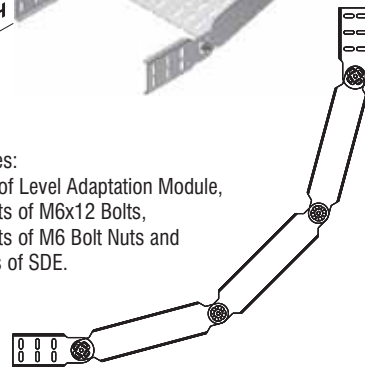
Pre-galvanized (TS EN 10346 - TS EN 10143)

Description	H (mm)	A (mm)	T (mm)	Weight (kg./set)	Order Code
040 UKS 050 - SDM	40	50	1,2	1,566	3008454
040 UKS 100 - SDM	40	100	1,2	1,845	3008453
040 UKS 150 - SDM	40	150	1,2	2,124	3008452
040 UKS 200 - SDM	40	200	1,2	2,403	3008451
040 UKS 250 - SDM	40	250	1,2	2,682	3008450
040 UKS 300 - SDM	40	300	1,2	2,961	3008449
040 UKS 400 - SDM	40	400	1,2	3,519	3008448
040 UKS 500 - SDM	40	500	1,2	4,077	3008447
040 UKS 600 - SDM	40	600	1,2	4,635	3001764
060 UKS 050 - SDM	60	50	1,2	2,094	3005831
060 UKS 100 - SDM	60	100	1,2	2,373	3008185
060 UKS 150 - SDM	60	150	1,2	2,652	3008176
060 UKS 200 - SDM	60	200	1,2	2,931	3008446
060 UKS 250 - SDM	60	250	1,2	3,210	3008445
060 UKS 300 - SDM	60	300	1,2	3,489	3008444
060 UKS 400 - SDM	60	400	1,2	4,047	3008443
060 UKS 500 - SDM	60	500	1,2	4,605	3008442
060 UKS 600 - SDM	60	600	1,2	5,163	3001765

Level Adaptation Module



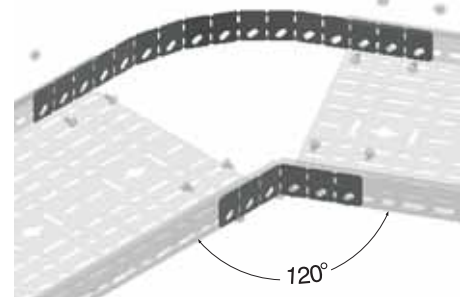
Includes:
1 Unit of Level Adaptation Module,
16 Units of M6x12 Bolts,
16 Units of M6 Bolt Nuts and
4 Units of SDE.



►► **UK FLEXIBLE JOINT**

Pre-galvanized (TS EN 10346 - TS EN 10143)

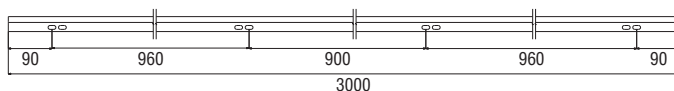
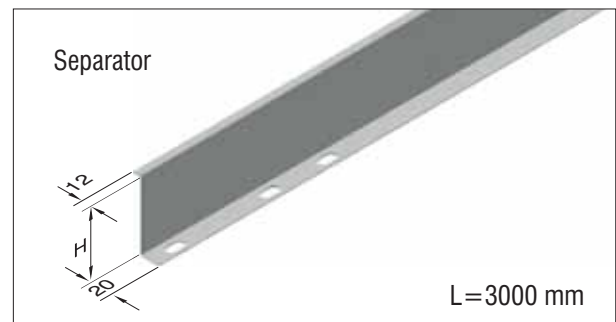
Description	H (mm)	T (mm)	Weight (kg./set.)	Order Code
40 FLEXIBLE JOINT (50-100-150-200-250-300)	33	1,2	0,193	3046723
40 FLEXIBLE JOINT (400-500-600)	33	1,2	0,281	3046724
60 FLEXIBLE JOINT (50-100-150-200-250-300)	53	1,2	0,322	3046725
60 FLEXIBLE JOINT (400-500-600)	53	1,2	0,468	3046726



►► **UKS SEPARATOR**

Pre-galvanized (TS EN 10346 - TS EN 10143)

Description	H (mm)	T (mm)	Weight (kg./m.)	Order Code
040 UKS SEPARATOR	38	1,2	0,568	3008456
060 UKS SEPARATOR	58	1,2	0,757	3008455



■ Please indicate order code in your orders.

■ Please contact us for special size.

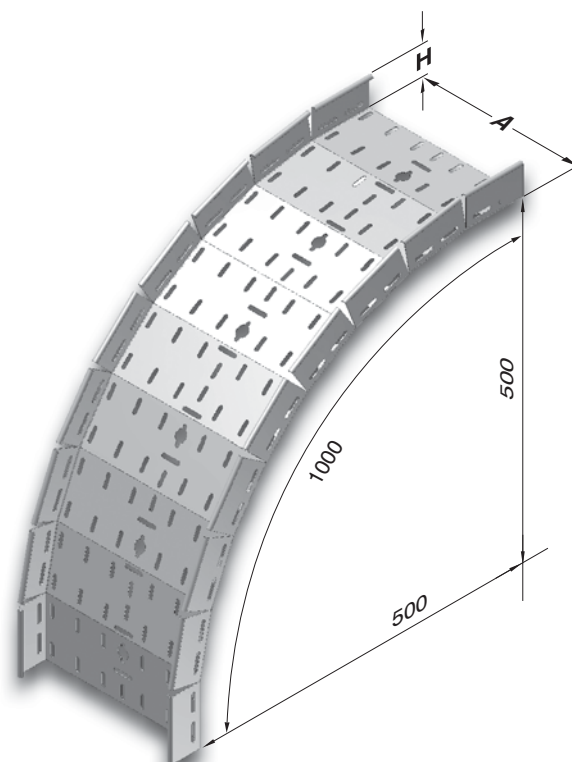
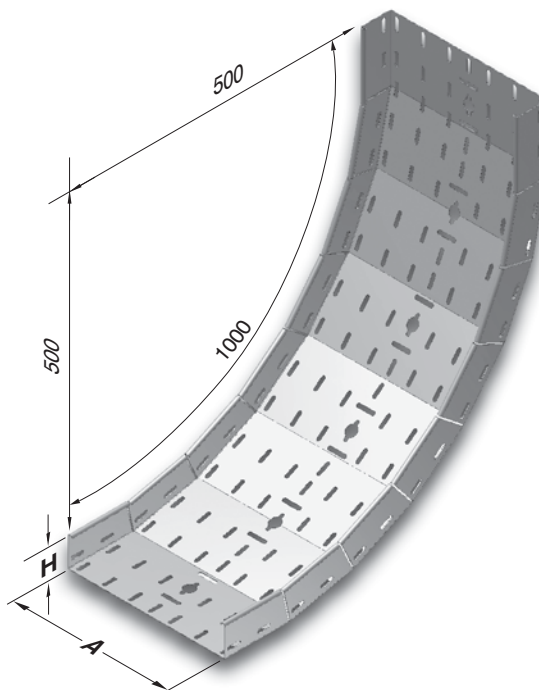
■ Could be applied to a maximum angle of 120°.

■ Material weights may vary by ± 10%

►► UKS ADJUSTABLE CONCAVE MODULE

Pre-galvanized (TS EN 10346 - TS EN 10143)

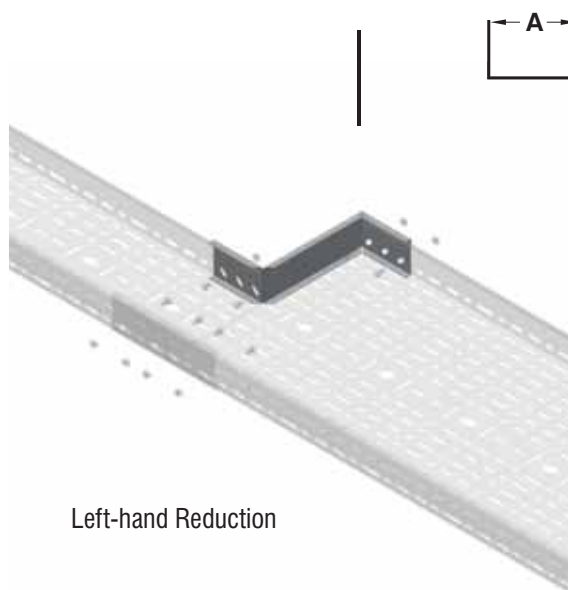
Description	H (mm)	A (mm)	T (mm)	Weight (kg/pc)	Order Code
040 UKS 050 ADJ. CONCAVE	40	50	1	0,922	3004339
040 UKS 100 ADJ. CONCAVE	40	100	1	1,252	3004341
040 UKS 150 ADJ. CONCAVE	40	150	1	1,566	3004343
040 UKS 200 ADJ. CONCAVE	40	200	1,2	2,265	3004345
040 UKS 250 ADJ. CONCAVE	40	250	1,2	2,651	3004347
040 UKS 300 ADJ. CONCAVE	40	300	1,5	3,796	3004349
040 UKS 400 ADJ. CONCAVE	40	400	1,5	4,808	3004351
040 UKS 500 ADJ. CONCAVE	40	500	1,5	5,722	3004353
040 UKS 600 ADJ. CONCAVE	40	600	1,5	6,737	3004355
060 UKS 100 ADJ. CONCAVE	60	100	1	1,516	3004359
060 UKS 150 ADJ. CONCAVE	60	150	1	1,838	3004361
060 UKS 200 ADJ. CONCAVE	60	200	1,2	2,160	3004363
060 UKS 250 ADJ. CONCAVE	60	250	1,2	2,978	3004365
060 UKS 300 ADJ. CONCAVE	60	300	1,5	4,181	3004367
060 UKS 400 ADJ. CONCAVE	60	400	1,5	5,216	3004369
060 UKS 500 ADJ. CONCAVE	60	500	1,5	6,181	3004371
060 UKS 600 ADJ. CONCAVE	60	600	1,5	7,146	3004373



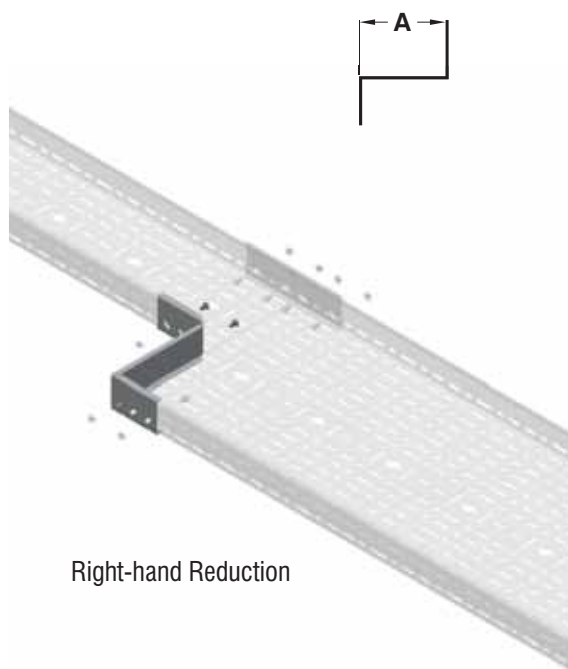
►► **UKS REDUCTION**

Pre-galvanized (TS EN 10346 - TS EN 10143)

Description	H (mm)	A (mm)	T (mm)	Weight (kg/pc)	Order Code
040 UKS 025 RD	40	25	1,2	0,134	3002329
040 UKS 050 RD	40	50	1,2	0,148	3002330
040 UKS 100 RD	40	100	1,2	0,176	3002331
040 UKS 150 RD	40	150	1,2	0,205	3002332
040 UKS 200 RD	40	200	1,2	0,233	3002333
040 UKS 250 RD	40	250	1,2	0,262	3002334
040 UKS 300 RD	40	300	1,2	0,290	3002335
060 UKS 025 RD	60	25	1,2	0,178	3002336
060 UKS 050 RD	60	50	1,2	0,197	3002337
060 UKS 100 RD	60	100	1,2	0,235	3002338
060 UKS 150 RD	60	150	1,2	0,273	3002339
060 UKS 200 RD	60	200	1,2	0,311	3002340
060 UKS 250 RD	60	250	1,2	0,349	3002341
060 UKS 300 RD	60	300	1,2	0,387	3002342



Left-hand Reduction



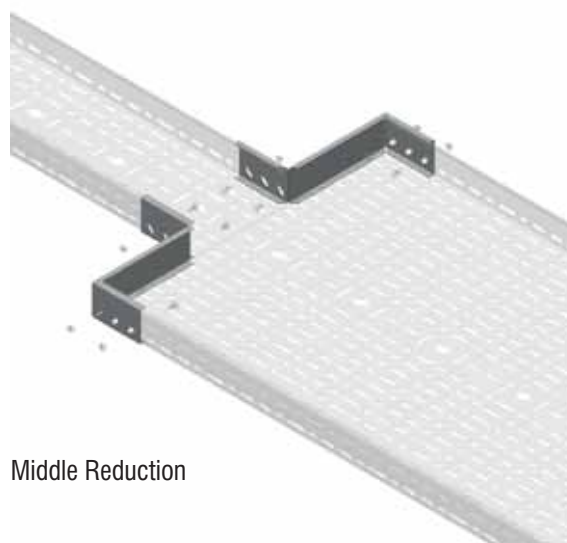
Right-hand Reduction

- Please indicate order code in your orders.
- Please contact us for special size.
- Material weights may vary by ± 10%

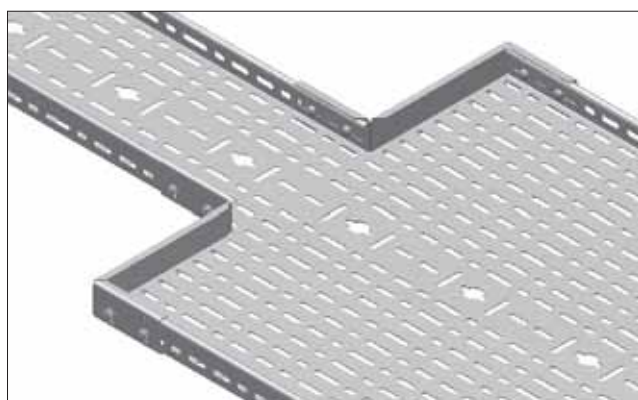
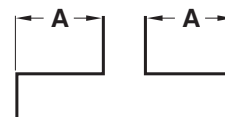
►► **UKS MIDDLE REDUCTION**

Pre-galvanized (TS EN 10346 - TS EN 10143)

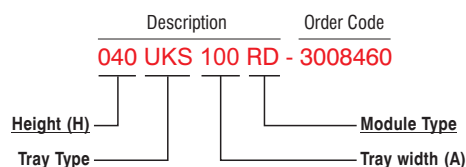
Description	H (mm)	A (mm)	T (mm)	Weight (kg/set)	Order Code
040 UKS 025 RD	40	25	1,2	0,267	3008462
040 UKS 050 RD	40	50	1,2	0,296	3008461
040 UKS 100 RD	40	100	1,2	0,353	3008460
040 UKS 150 RD	40	150	1,2	0,410	3008118
040 UKS 200 RD	40	200	1,2	0,466	3008119
040 UKS 250 RD	40	250	1,2	0,523	3008111
040 UKS 300 RD	40	300	1,2	0,580	3008105
060 UKS 025 RD	60	25	1,2	0,356	3008459
060 UKS 050 RD	60	50	1,2	0,394	3008458
060 UKS 100 RD	60	100	1,2	0,470	3008457
060 UKS 150 RD	60	150	1,2	0,546	3008110
060 UKS 200 RD	60	200	1,2	0,622	3008103
060 UKS 250 RD	60	250	1,2	0,698	3008104
060 UKS 300 RD	60	300	1,2	0,774	3008106



Middle Reduction



Sample Order:
 Height (H) (H): 40 mm,
 Tray Width (A): 100 mm,
 Sheet Metal Thickness (T): 1,2 mm,
 Type of Coating (P): Pre-galvanized,
 Module Type: Reduction Module.



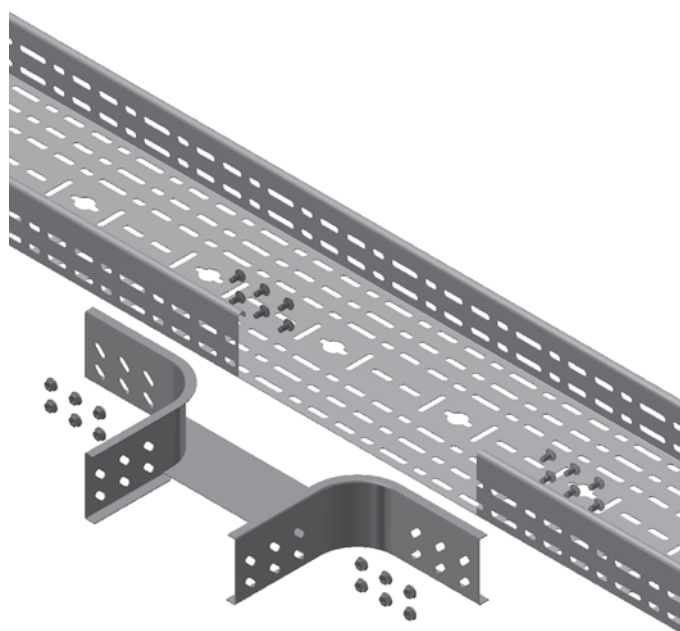
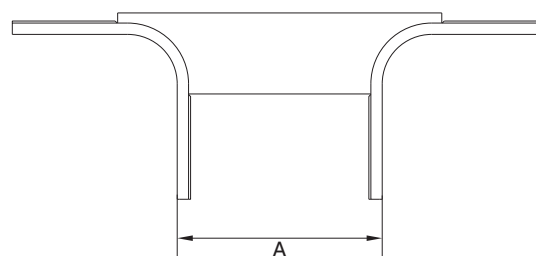
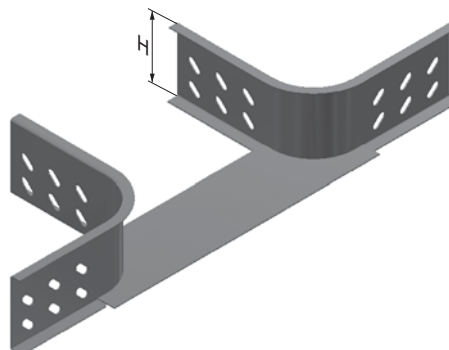
- Please indicate order code in your orders.
- Please contact us for special size.
- Material weights may vary by ± 10%

►► UKS YT HALF "T"

Pre-galvanized (TS EN 10346 - TS EN 10143)

Description	H (mm)	A (mm)	T (mm)	Weight (kg/pc)	Order Code
40 UKS 50 HALF "T" MODULE	40	50	1,2	0,447	3086575
40 UKS 100 HALF "T" MODULE	40	100	1,2	0,485	3086576
40 UKS 150 HALF "T" MODULE	40	150	1,2	0,523	3086577
40 UKS 200 HALF "T" MODULE	40	200	1,2	0,560	3086578
40 UKS 250 HALF "T" MODULE	40	250	1,2	0,598	3086579
40 UKS 300 HALF "T" MODULE	40	300	1,2	0,636	3086580
40 UKS 400 HALF "T" MODULE	40	400	1,2	0,711	3086581
40 UKS 500 HALF "T" MODULE	40	500	1,2	0,786	3086582
40 UKS 600 HALF "T" MODULE	40	600	1,2	0,862	3086583
60 UKS 50 HALF "T" MODULE	60	50	1,2	0,563	3086584
60 UKS 100 HALF "T" MODULE	60	100	1,2	0,577	3086585
60 UKS 150 HALF "T" MODULE	60	150	1,2	0,614	3086586
60 UKS 200 HALF "T" MODULE	60	200	1,2	0,676	3086587
60 UKS 250 HALF "T" MODULE	60	250	1,2	0,713	3086588
60 UKS 300 HALF "T" MODULE	60	300	1,2	0,751	3086589
60 UKS 400 HALF "T" MODULE	60	400	1,2	0,826	3086590
60 UKS 500 HALF "T" MODULE	60	500	1,2	0,878	3086591
60 UKS 600 HALF "T" MODULE	60	600	1,2	0,977	3086592

YT HALF "T"



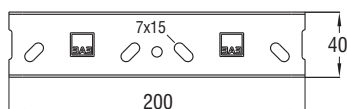
- Please indicate order code in your orders.
- Please contact us for special modules.
- Material weights may vary by ± 10%

►► **UKS JOINT FITTING**

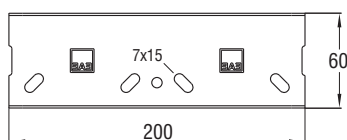
Pre-galvanized (TS EN 10346 - TS EN 10143)

Description	H (mm)	T (mm)	Weight (kg/pc)	Order Code	Pack. (pcs.)
040 UKS JOINT FITTING	40	1,2	0,110	3008596	120
060 UKS JOINT FITTING	60	1,2	0,145	3008595	80

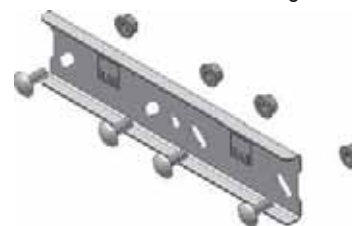
040 UKS JOINT FITTING



060 UKS JOINT FITTING

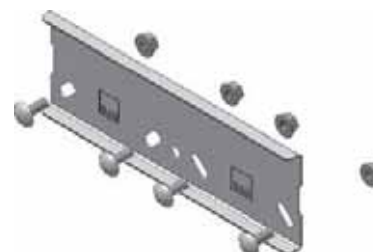


040 UKS Joint Fitting



040 UKS Joint fitting mounting; 4 M6x12 Bolt, 4 M6 Nut should be used.

060 UKS Joint Fitting



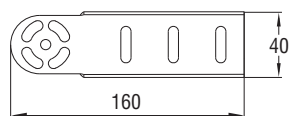
060 UKS Joint fitting mounting; 4 M6x12 Bolt, 4 M6 Nut should be used.

►► **UKS LEVEL ADAPTATION JOINT SET**

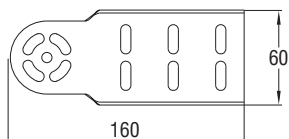
Pre-galvanized (TS EN 10346 - TS EN 10143)

Description	H (mm)	T (mm)	Weight (kg/set)	Order Code	Pack. (pcs.)
040 UKS - SDE	40	1,2	0,348	3008375	10
060 UKS - SDE	60	1,2	0,464	3008374	10

040 UKS - SDE



060 UKS - SDE



Level Adaptation Joint Set



Includes: 4 Units of Level Adaptation Joint, 4 Units of M6x12 Bolts, 4 Units of M6 Bolt Nuts.

060 UKS - SDE



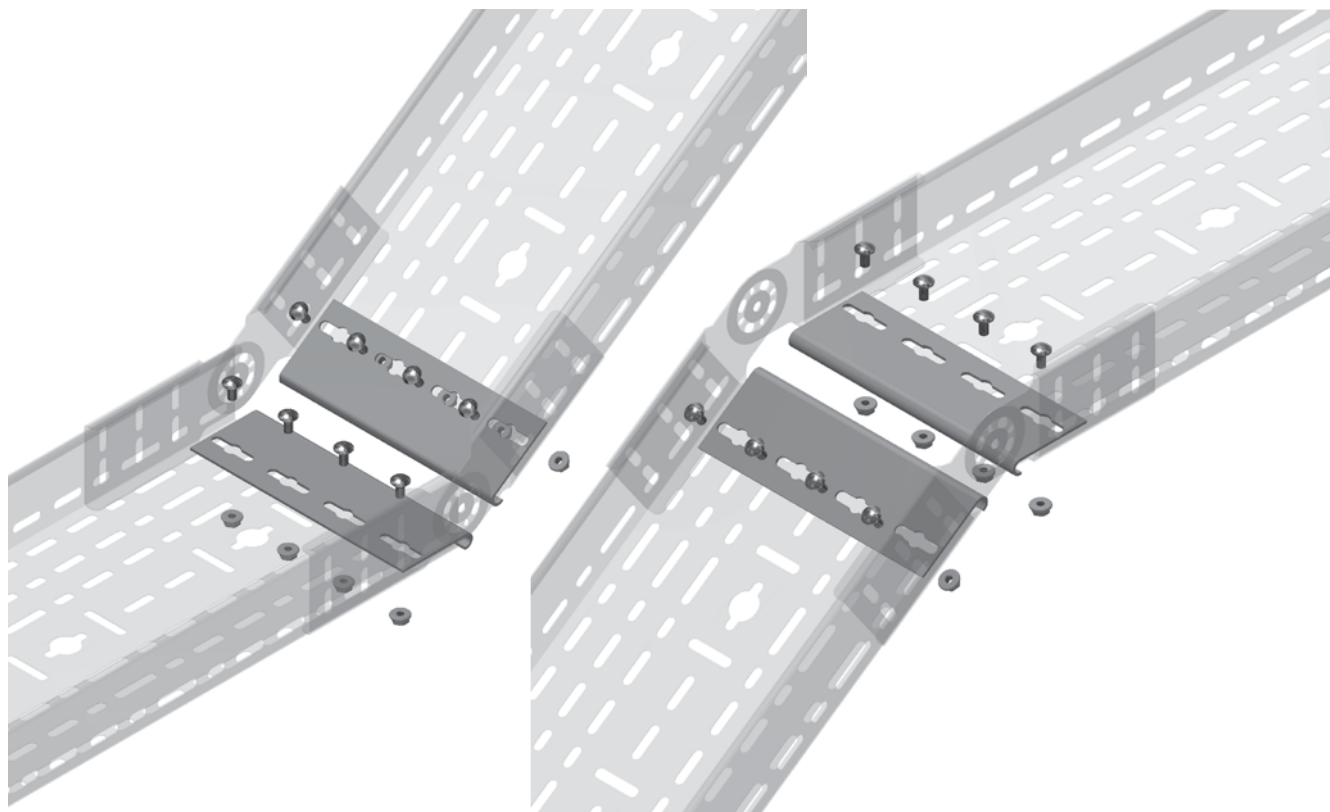
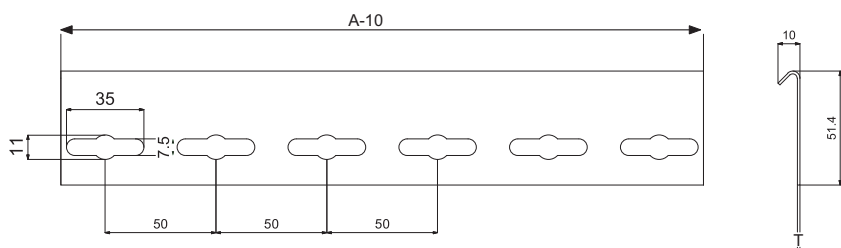
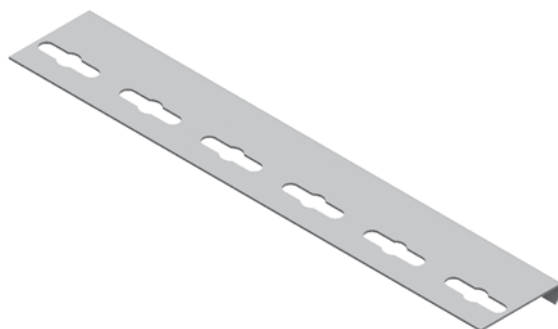
- Please indicate order code in your orders.
- Please contact us for special size.
- Material weights may vary by ± 10%



►► UK SDE **ELBOW PROTECTION PLATE**

Pre-galvanized (TS EN 10346 - TS EN 10143)

Description	A (mm)	T (mm)	Weight (kg./pc.)	Order Code
UK SDE ELBOW PROTECTION PLATE 100	100	1,2	0,054	3135707
UK SDE ELBOW PROTECTION PLATE 150	150	1,2	0,083	3135708
UK SDE ELBOW PROTECTION PLATE 200	200	1,2	0,114	3135709
UK SDE ELBOW PROTECTION PLATE 250	250	1,2	0,142	3135710
UK SDE ELBOW PROTECTION PLATE 300	300	1,2	0,173	3135711
UK SDE ELBOW PROTECTION PLATE 400	400	1,2	0,233	3135712
UK SDE ELBOW PROTECTION PLATE 500	500	1,2	0,292	3135713
UK SDE ELBOW PROTECTION PLATE 600	600	1,2	0,352	3135714



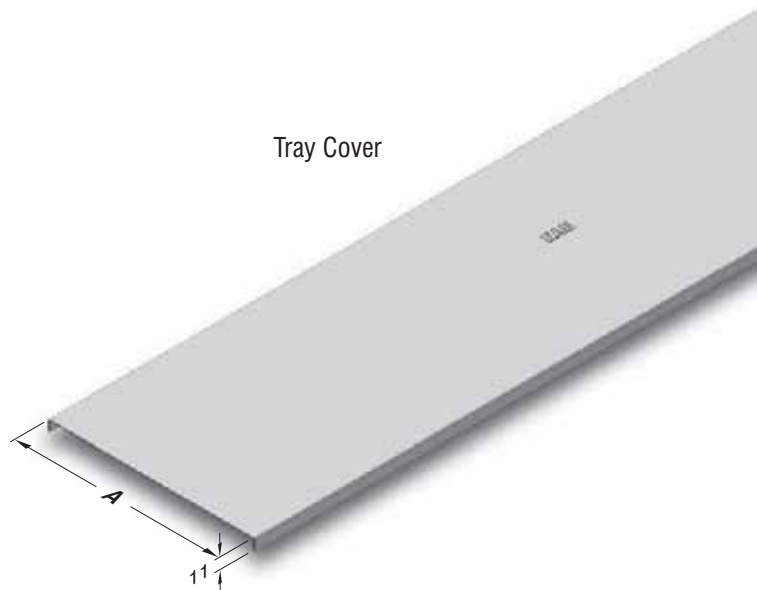
■ To fix it, please order the M6x12 bolt kit.

►► **UKK TRAY COVER**

Pre-galvanized (TS EN 10346 - TS EN 10143)

Description	A (mm)	T (mm)	Weight (kg./m.)	Order Code	Pack (m)
UKK 50	50	0,8	0,448	3008371	2100
UKK 100	100	0,8	0,757	3008370	1224
UKK 150	150	1	1,341	3008369	1044
UKK 200	200	1	1,735	3008368	798
UKK 250	250	1,2	2,556	3008367	390
UKK 300	300	1,2	3,030	3008366	390
UKK 400	400	1,5	4,970	3008365	150
UKK 500	500	1,5	6,154	3008364	150
UKK 600	600	1,5	7,330	3006017	150

- Standard length is 3000 mm.
- It is recommended to use the m/pc clamps to fix the lids.

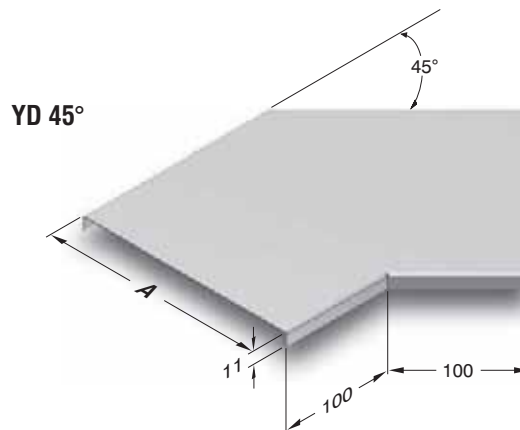


Tray Cover

►► **UKK HORIZONTAL ELBOW MODULE COVER (45°)**

Pre-galvanized (TS EN 10346 - TS EN 10143)

Description	A (mm)	T (mm)	Weight (kg./pc.)	Order Code
UKK 050 YD 45°	50	1,2	0,152	3001944
UKK 100 YD 45°	100	1,2	0,279	3001945
UKK 150 YD 45°	150	1,2	0,425	3001946
UKK 200 YD 45°	200	1,2	0,590	3001947
UKK 250 YD 45°	250	1,2	0,776	3001948
UKK 300 YD 45°	300	1,2	0,981	3001949
UKK 400 YD 45°	400	1,2	1,449	3001950
UKK 500 YD 45°	500	1,2	1,996	3001951
UKK 600 YD 45°	600	1,2	2,622	3001952



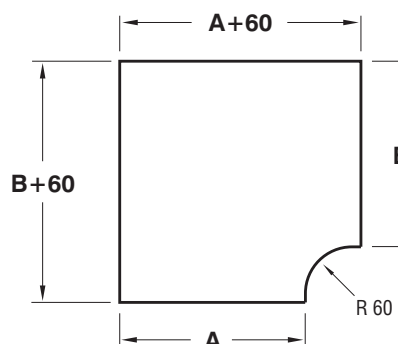
YD 45°

YD 90°

►► **UKK HORIZONTAL ELBOW MODULE COVER (90°) R=60**

Pre-galvanized (TS EN 10346 - TS EN 10143)

Description	AB (mm)	T (mm)	Weight (kg./pc.)	Order Code
UKK 50 YD 90°	50	1,2	0,129	3008347
UKK 100 YD 90°	100	1,2	0,271	3008346
UKK 150 YD 90°	150	1,2	0,461	3008345
UKK 200 YD 90°	200	1,2	0,697	3008344
UKK 250 YD 90°	250	1,2	0,981	3008343
UKK 300 YD 90°	300	1,2	1,313	3008342
UKK 400 YD 90°	400	1,2	2,118	3008341
UKK 500 YD 90°	500	1,2	3,112	3008340
UKK 600 YD 90°	600	1,2	4,295	3001735



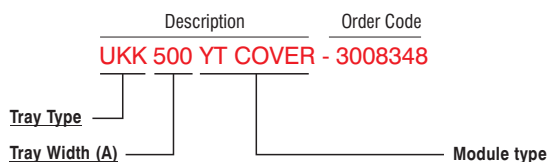
- Please indicate order code in your orders.
- Please contact us for special size.
- Material weights may vary by ± 10%

►► **UKK "T" MODULE COVER R=60**

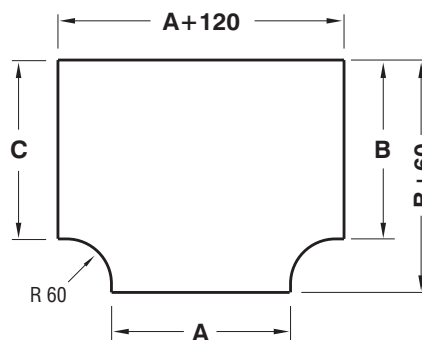
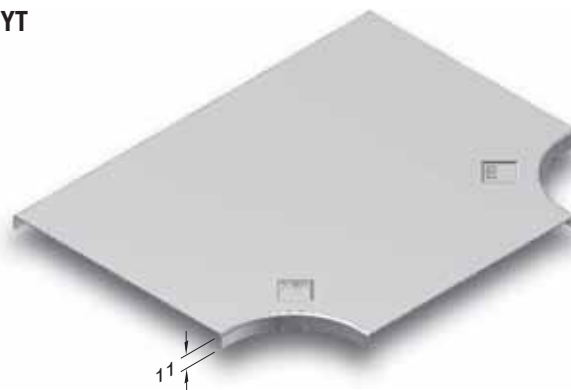
Pre-galvanized (TS EN 10346 - TS EN 10143)

Description	ABC (mm)	T (mm)	Weight (kg/pc)	Order Code
UKK 50 YT	50	1,2	0,164	3008355
UKK 100 YT	100	1,2	0,327	3008354
UKK 150 YT	150	1,2	0,538	3008353
UKK 200 YT	200	1,2	0,796	3008352
UKK 250 YT	250	1,2	1,101	3008351
UKK 300 YT	300	1,2	1,454	3008350
UKK 400 YT	400	1,2	2,301	3008349
UKK 500 YT	500	1,2	3,338	3008348
UKK 600 YT	600	1,2	4,564	3001736

Sample Order:



YT

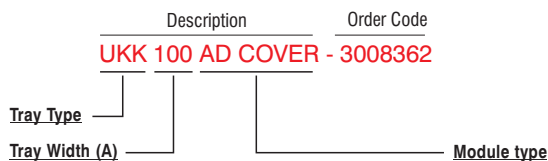


►► **UKK "+" CONNECTION MODULE COVER R=60**

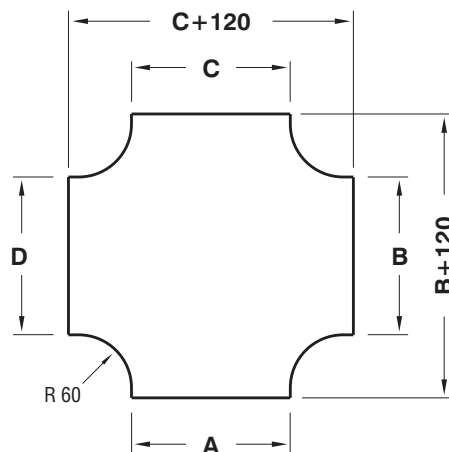
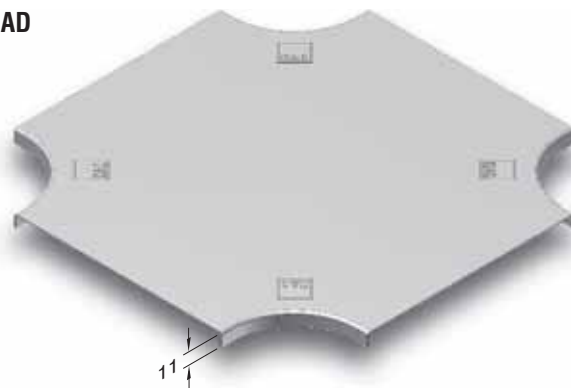
Pre-galvanized (TS EN 10346 - TS EN 10143)

Description	ABCD (mm)	T (mm)	Weight (kg/pc)	Order Code
UKK 50 AD	50	1,2	0,199	3008363
UKK 100 AD	100	1,2	0,384	3008362
UKK 150 AD	150	1,2	0,616	3008361
UKK 200 AD	200	1,2	0,895	3008360
UKK 250 AD	250	1,2	1,222	3008359
UKK 300 AD	300	1,2	1,596	3008358
UKK 400 AD	400	1,2	2,486	3008357
UKK 500 AD	500	1,2	3,565	3008356
UKK 600 AD	600	1,2	4,834	3001737

Sample Order:



AD



■ Please indicate order code in your orders.

■ Please contact us for special size.

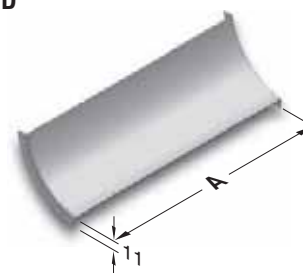
■ Material weights may vary by ± 10%

►► **UKK CONCAVE MODULE COVER (90°)**

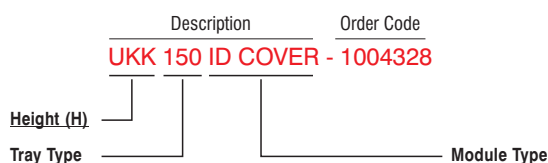
Pre-galvanized (TS EN 10346 - TS EN 10143)

Description	A (mm)	T (mm)	Weight (kg/pc)	Order Code
UKK 50 ID	50	1,2	0,063	3194643
UKK 100 ID	100	1,2	0,105	3194645
UKK 150 ID	150	1,2	0,148	3194646
UKK 200 ID	200	1,2	0,191	3194647
UKK 250 ID	250	1,2	0,234	3194648
UKK 300 ID	300	1,2	0,277	3194649
UKK 400 ID	400	1,2	0,362	3194650
UKK 500 ID	500	1,2	0,448	3194651
UKK 600 ID	600	1,2	0,534	3194652

ID



Sample Order:



►► **UKK CONVEX MODULE COVER (90°)**

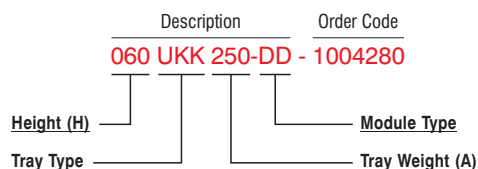
Pre-galvanized (TS EN 10346 - TS EN 10143)

Description	A (mm)	T (mm)	Weight (kg/pc)	Order Code
040 UKK 50 DD	50	1,2	0,106	3194653
040 UKK 100 DD	100	1,2	0,179	3194654
040 UKK 150 DD	150	1,2	0,251	3194655
040 UKK 200 DD	200	1,2	0,324	3194656
040 UKK 250 DD	250	1,2	0,396	3194657
040 UKK 300 DD	300	1,2	0,469	3194658
040 UKK 400 DD	400	1,2	0,614	3194659
040 UKK 500 DD	500	1,2	0,759	3194660
040 UKK 600 DD	600	1,2	0,904	3194661
060 UKK 50 DD	50	1,2	0,128	3194662
060 UKK 100 DD	100	1,2	0,215	3194664
060 UKK 150 DD	150	1,2	0,303	3194665
060 UKK 200 DD	200	1,2	0,390	3194666
060 UKK 250 DD	250	1,2	0,477	3194667
060 UKK 300 DD	300	1,2	0,565	3194668
060 UKK 400 DD	400	1,2	0,740	3194669
060 UKK 500 DD	500	1,2	0,915	3194670
060 UKK 600 DD	600	1,2	1,089	3194671

DD



Sample Order:

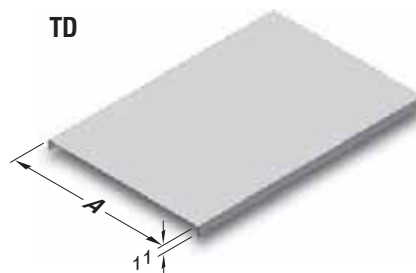


- Please indicate order code in your orders.
- Please contact us for special modules.
- Material weights may vary by ± 10%

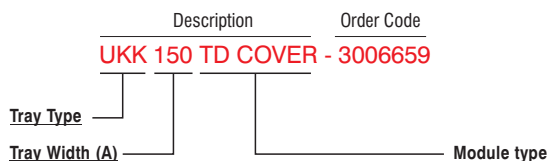
►► **UKK "T" WALL DESCENT MODULE COVER**

Pre-galvanized (TS EN 10346 - TS EN 10143)

Description	A (mm)	T (mm)	Weight (kg/pc)	Order Code
UKK 50 TD	50	1,2	0,117	3006661
UKK 100 TD	100	1,2	0,261	3006660
UKK 150 TD	150	1,2	0,453	3006659
UKK 200 TD	200	1,2	0,692	3006658
UKK 250 TD	250	1,2	0,853	3006657
UKK 300 TD	300	1,2	1,014	3006656
UKK 400 TD	400	1,2	1,336	3006655
UKK 500 TD	500	1,2	1,658	3006654
UKK 600 TD	600	1,2	1,980	3001732



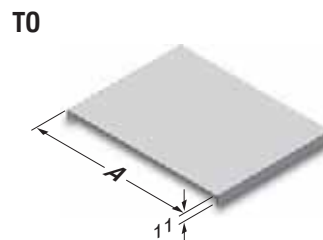
Sample Order:



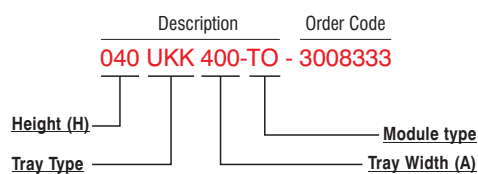
►► **UKK "T" MIDDLE DESCENT MODULE COVER**

Pre-galvanized (TS EN 10346 - TS EN 10143)

Description	A (mm)	T (mm)	Weight (kg/pc)	Order Code
040 UKK 50 TO	50	1,2	0,111	3008339
040 UKK 100 TO	100	1,2	0,196	3008338
040 UKK 150 TO	150	1,2	0,281	3008337
040 UKK 200 TO	200	1,2	0,366	3008336
040 UKK 250 TO	250	1,2	0,452	3008335
040 UKK 300 TO	300	1,2	0,537	3008334
040 UKK 400 TO	400	1,2	0,707	3008333
040 UKK 500 TO	500	1,2	0,878	3008332
040 UKK 600 TO	600	1,2	1,048	3001733
060 UKK 50 TO	50	1,2	0,123	3005356
060 UKK 100 TO	100	1,2	0,218	3005355
060 UKK 150 TO	150	1,2	0,312	3005354
060 UKK 200 TO	200	1,2	0,407	3005353
060 UKK 250 TO	250	1,2	0,502	3005352
060 UKK 300 TO	300	1,2	0,596	3005351
060 UKK 400 TO	400	1,2	0,786	3005350
060 UKK 500 TO	500	1,2	0,975	3005349
060 UKK 600 TO	600	1,2	1,165	3001734



Sample Order:



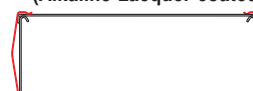
►► **UK CABLE TRAY COVER CLAMPS**

Description	Weight (kg/pc)	Order Code	Pack. (pcs.)
UKK 040 COVER CLAMP (OUTWARD)	0,010	1004254	500
UKK 060 COVER CLAMP (OUTWARD)	0,015	1004253	500

UKK
Cover
Clamp
(outward)



(Alkaline Lacquer coated)

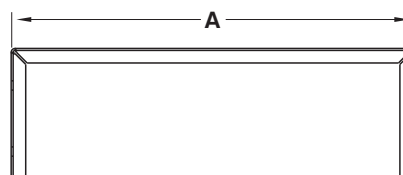
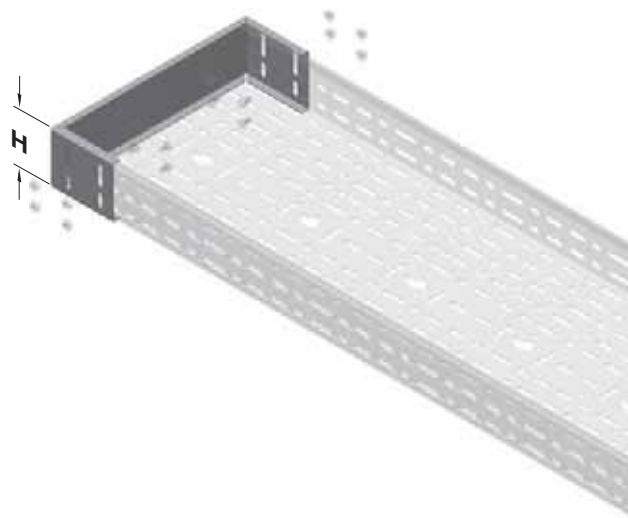


■ Recommended spacing for and outward clamps is 2 metres.

►► UKS END COVER

Pre-galvanized (TS EN 10346 - TS EN 10143)

Description	A (mm)	T (mm)	Weight (kg/pc)	Order Code
40 UKS 050 END COVER	50	1,2	0,136	3030373
40 UKS 100 END COVER	100	1,2	0,166	3030374
40 UKS 150 END COVER	150	1,2	0,195	3030375
40 UKS 200 END COVER	200	1,2	0,225	3030376
40 UKS 250 END COVER	250	1,2	0,255	3030377
40 UKS 300 END COVER	300	1,2	0,285	3030378
40 UKS 400 END COVER	400	1,2	0,344	3030379
40 UKS 500 END COVER	500	1,2	0,403	3030380
40 UKS 600 END COVER	600	1,2	0,463	3030381
60 UKS 050 END COVER	50	1,2	0,178	3030382
60 UKS 100 END COVER	100	1,2	0,218	3030383
60 UKS 150 END COVER	150	1,2	0,257	3030384
60 UKS 200 END COVER	200	1,2	0,296	3030385
60 UKS 250 END COVER	250	1,2	0,335	3030386
60 UKS 300 END COVER	300	1,2	0,374	3030387
60 UKS 400 END COVER	400	1,2	0,452	3030388
60 UKS 500 END COVER	500	1,2	0,530	3030389
60 UKS 600 END COVER	600	1,2	0,609	3030390



Sample Order

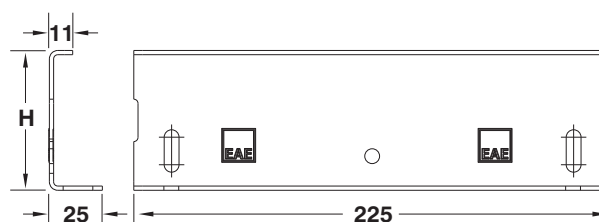
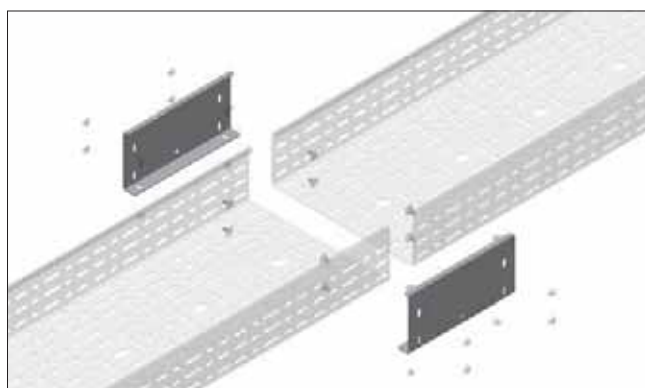
Description Order Code
040 UKS 400 - 3030379

Height (H) Tray Type Tray Width (A)

►► UKS EXPANSION SET

Pre-galvanized (TS EN 10346 - TS EN 10143)

Description	H (mm)	T (mm)	Weight (kg/set)	Order Code	Pack. (pcs.)
40 UKS EXPANSION SET	40	2	0,516	3006610	20
60 UKS EXPANSION SET	60	2	0,656	3006611	20



■ The Expansion set allows for 35 mm expansion

■ In an expansion set. 2 pieces of expansion attachment, and 8 pieces of special bolts and nuts are used.

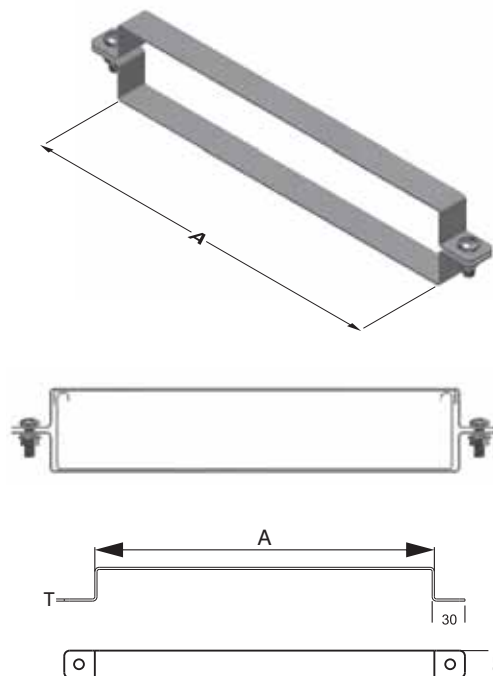


►► UKS OMEGA CLAMP

Pre-galvanized (TS EN 10346 - TS EN 10143)

Description	A (mm)	T (mm)	Weight (kg/pc)	Order Code
40 UKS OMEGA CLAMP 50	61	2	0,112	3137713
40 UKS OMEGA CLAMP 100	111	2	0,152	3137714
40 UKS OMEGA CLAMP 150	161	2	0,192	3137715
40 UKS OMEGA CLAMP 200	211	2	0,230	3137716
40 UKS OMEGA CLAMP 250	261	2	0,270	3137717
40 UKS OMEGA CLAMP 300	311	2	0,310	3137718
40 UKS OMEGA CLAMP 400	411	2	0,388	3137719
40 UKS OMEGA CLAMP 500	511	2	0,466	3137720
40 UKS OMEGA CLAMP 600	611	2	0,544	3137721
60 UKS OMEGA CLAMP 100	111	2	0,168	3137722
60 UKS OMEGA CLAMP 150	161	2	0,208	3137723
60 UKS OMEGA CLAMP 200	211	2	0,246	3137724
60 UKS OMEGA CLAMP 250	261	2	0,286	3137725
60 UKS OMEGA CLAMP 300	311	2	0,324	3137726
60 UKS OMEGA CLAMP 400	411	2	0,404	3137727
60 UKS OMEGA CLAMP 500	511	2	0,482	3137728
60 UKS OMEGA CLAMP 600	611	2	0,560	3137729

UKS Tray Cover Omega Clamp

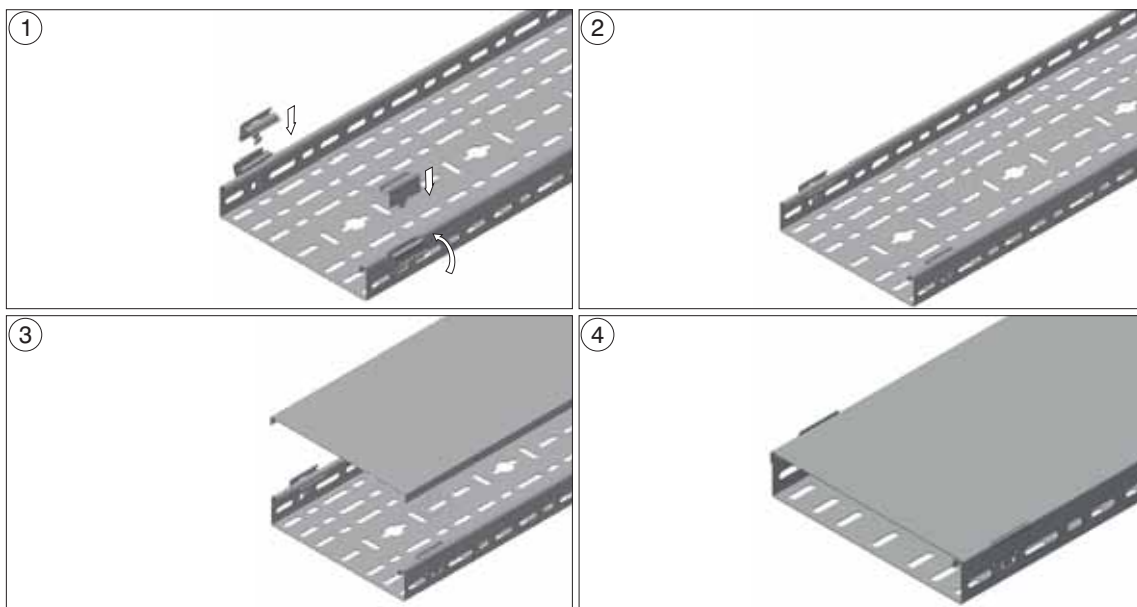


Note: Bolt set is included in the product delivered.

►► UKS QUICK FIT COVER CLAMP

Pre-galvanized (TS EN 10346 - TS EN 10143)

Description	Weight (kg/pc)	Order Code
40 UKS QUICK FIT COVER CLAMP	0,027	1025015
60 UKS QUICK FIT COVER CLAMP	0,034	1025041

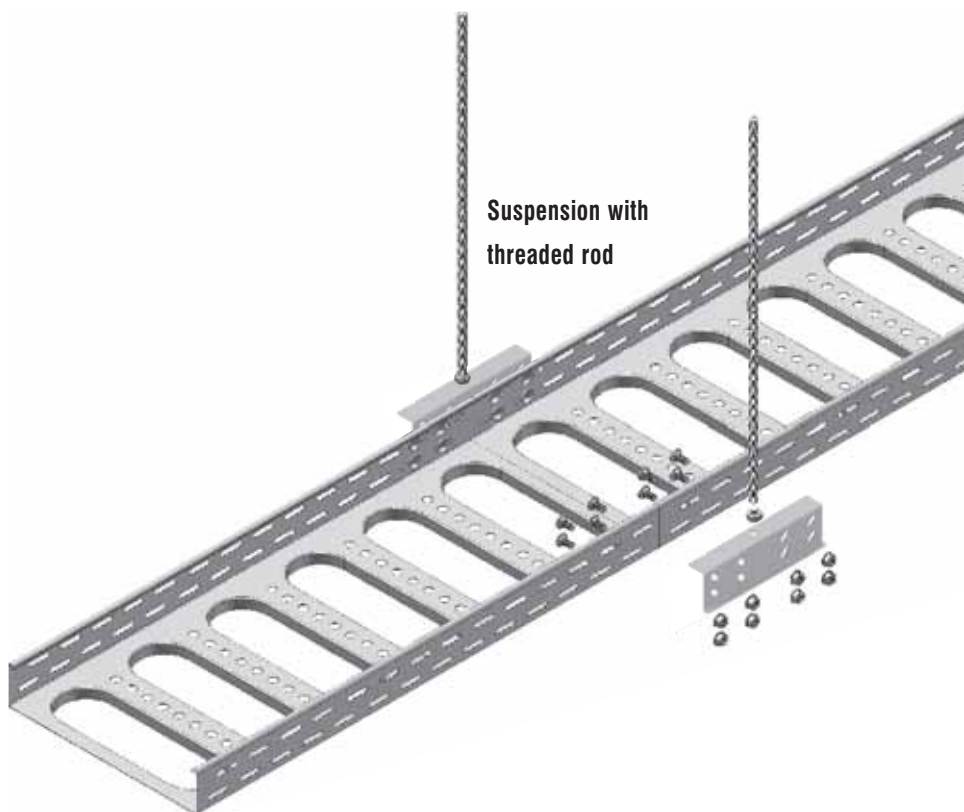
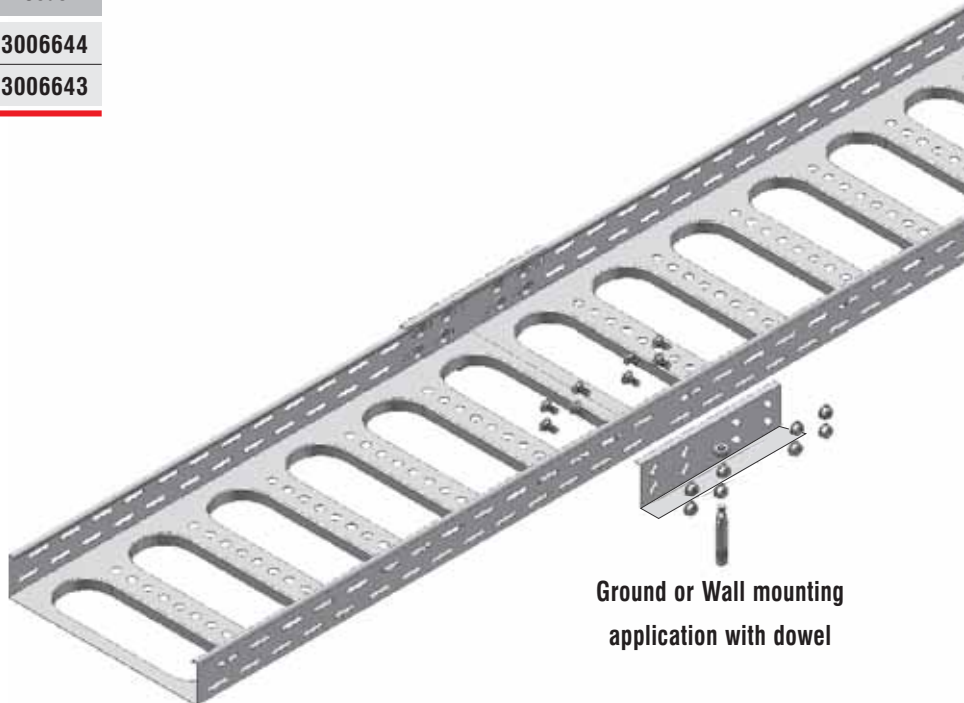


■ Duct Covers; It is not enough to secure the covers to install in vertical or vertically installed cable trays, please also use self-tapping screws, steel cable ties or cover hinges against wind loads.

►► **SUPPORT ACCESSORIES**


Pre-galvanized (TS EN 10346 - TS EN 10143)

Description	T (mm)	Weight (kg/pc)	Order Code
Universal Joint 1	1,5	0,198	3006644
Universal Joint 2	1,5	0,209	3006643



- Please indicate order code in your orders.
- Please contact us for special size.
- Material weights may vary by $\pm 10\%$

▶▶ **PROJECT DESIGN FORM**

Component List	Item	Component	Quantity
<div style="text-align: right; padding-right: 10px;">  </div>			
Company : Project : Project No :			
Prepared by : Name : Date : Signature:			

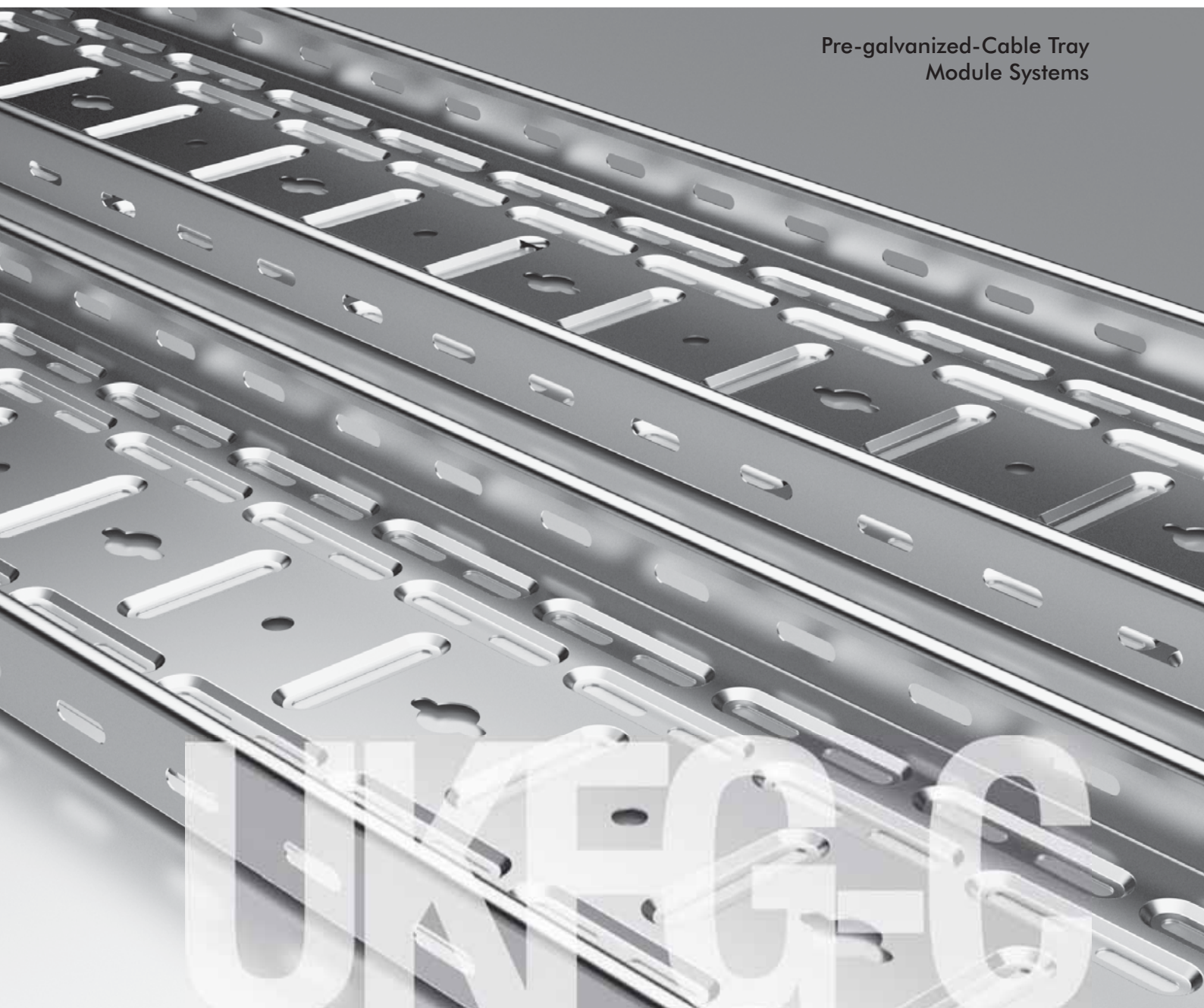
Please duplicate this page for your own use.

E-LINE UKFG-C

CABLE SUPPORT SYSTEMS



Pre-galvanized-Cable Tray
Module Systems



E-Line UKFG-C

Cable Tray and Modules

UKFG **DD** (Page 11)
Convex Module

UKFG **YD (135°)** (Page 7)
Horizontal Elbow Module

UKFG **AD** (Page 9)
“+” Connection Module

UKFG **ID** (Page 10)
Concave Module

UKFG **YD** (Page 6)
Horizontal Elbow Module

UKFG **SDE** (Page 16)
Level Adaptation Module

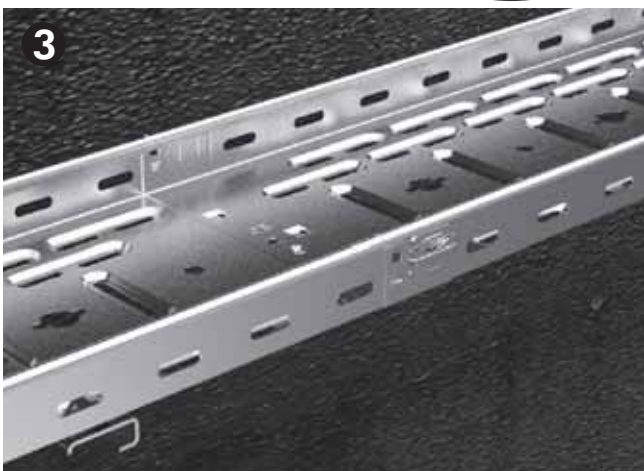
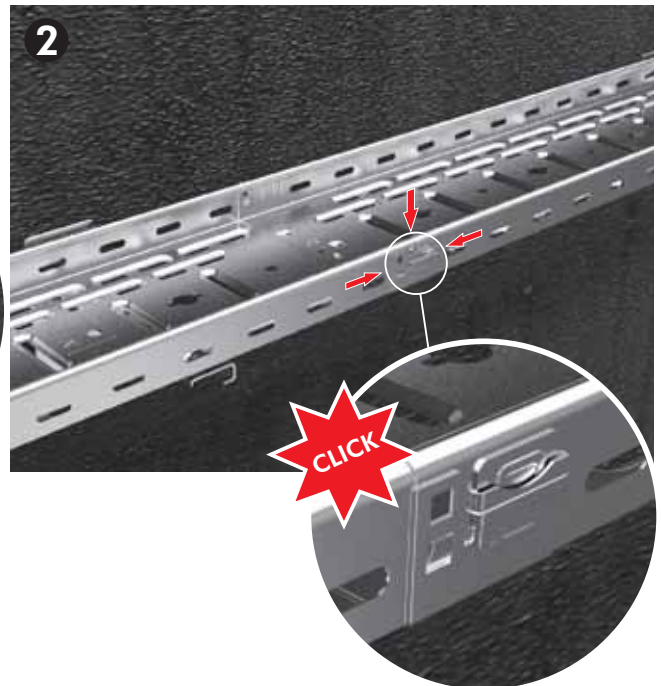
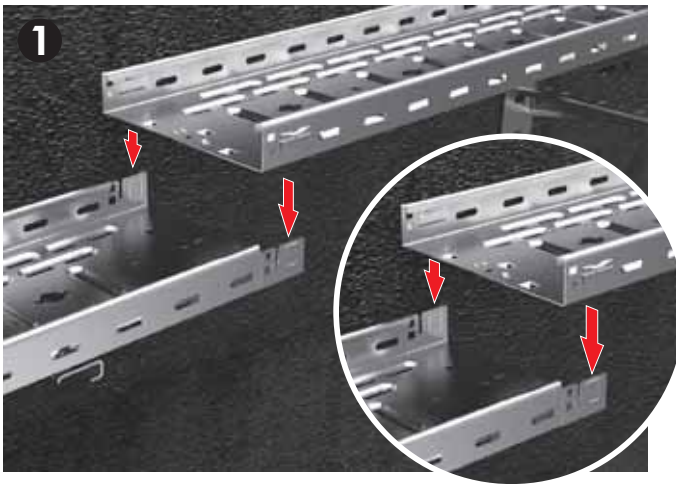
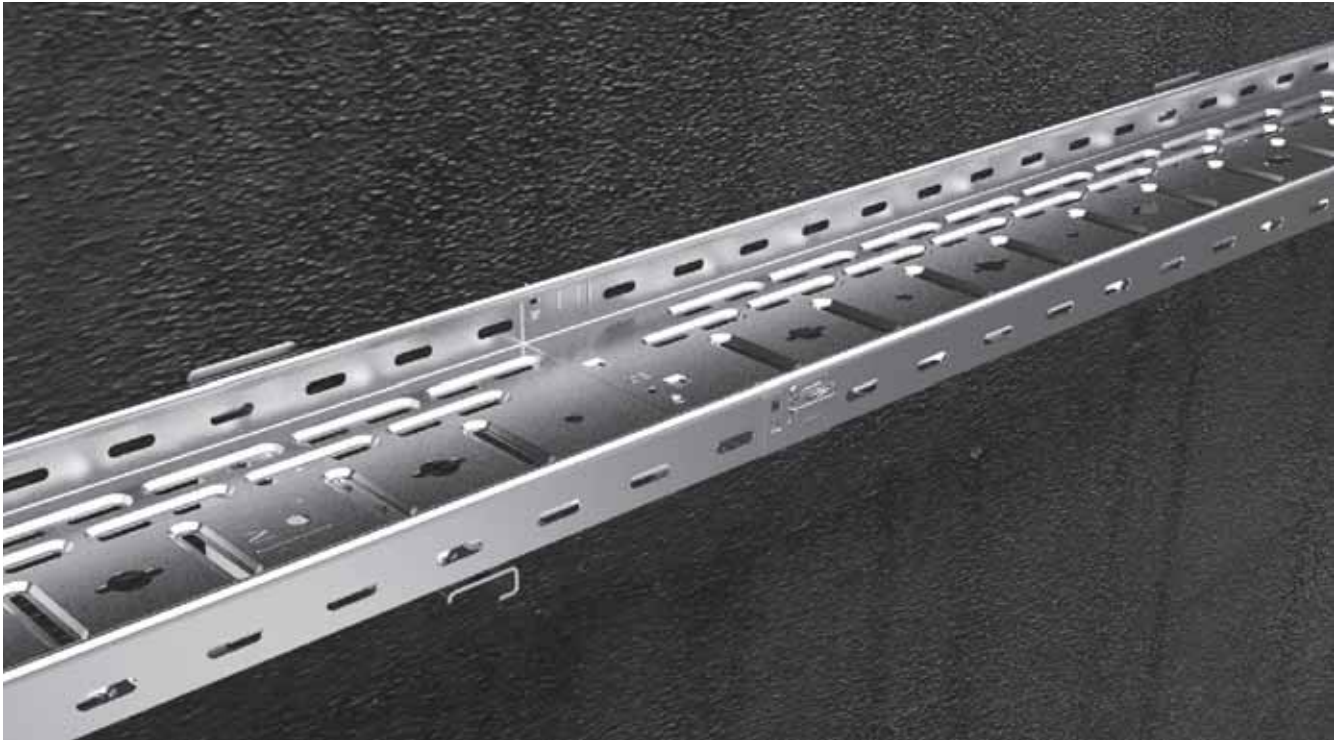
UKFG **YT** (Page 8)
Horizontal “T” Module

UKFG (Page 3)
Cable Tray

CONTENTS

2-3	UKFG Cable Tray Systems
4-5	UKF-C Cable Tray Systems
6-11	UKFG-C Cable Tray Modules
12-15	UKFG-C Cable Tray Covers and Module Covers
16	UKFG-C Level Adaptation Joint Set
17-18	UKFG-C Reduction
19	UKFG-C Level Adaptation Joint Set
20	UKFG-C Cover Clamps / Joint Set / Seperator

▶▶ UKFG (SNAP-ON) **CABLE SUPPORT SYSTEMS** and **ACCESSORIES**



Earthing Jumper should be used.

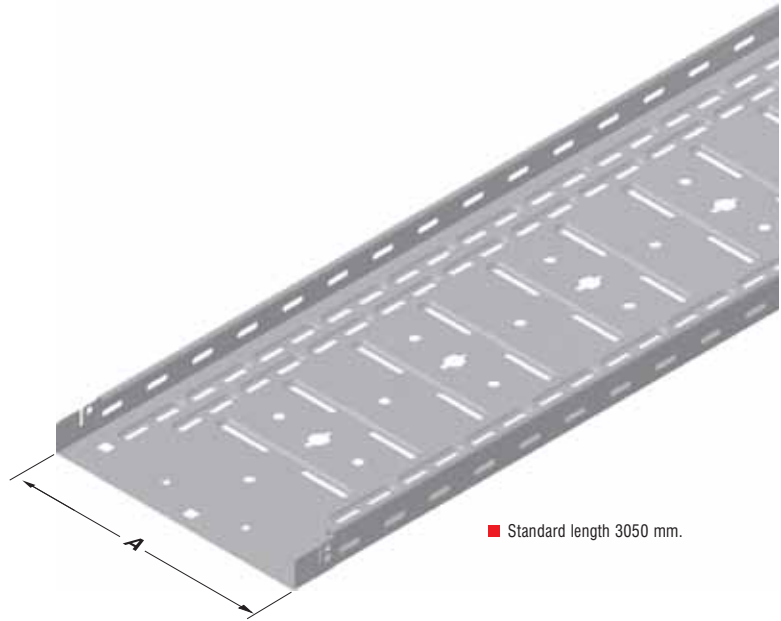
- Save from workmanship cost with the help of click design.
- Higher load capacity is coming with special formed design against standard perforation system.
- Provide faster installation time compared to standard cable trays fixing with couplers.

- Material weights may vary by $\pm 10\%$
- Please indicate order code in your orders.
- Standard length is 3050 mm.

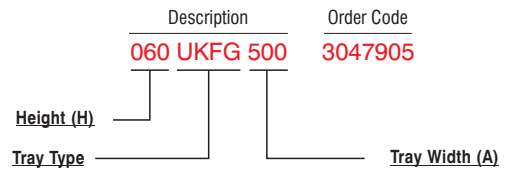
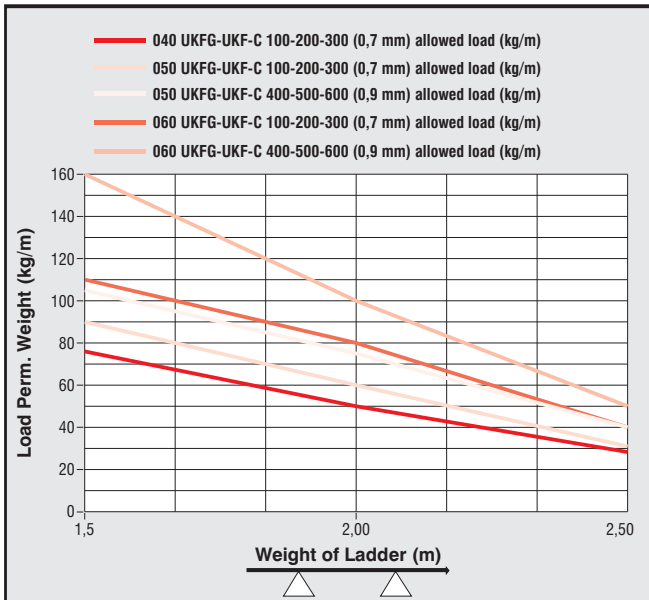
►► UKFG CABLE TRAY

Pre-galvanized (TS EN 10346 - TS EN 10143)

Description	H (mm)	A (mm)	T (mm)	Weight (kg./m.)	Order Code
040 UKFG 100	40	100	0,7	1,024	3047898
040 UKFG 200	40	200	0,7	1,511	3047899
040 UKFG 300	40	300	0,7	2,063	3047900
050 UKFG 100	50	100	0,7	1,150	3049003
050 UKFG 200	50	200	0,7	1,623	3049004
050 UKFG 300	50	300	0,7	2,152	3049005
050 UKFG 400	50	400	0,9	3,449	3049006
050 UKFG 500	50	500	0,9	4,126	3049007
050 UKFG 600	50	600	0,9	4,813	3049008
060 UKFG 100	60	100	0,7	1,305	3047901
060 UKFG 200	60	200	0,7	1,735	3047902
060 UKFG 300	60	300	0,7	2,263	3047903
060 UKFG 400	60	400	0,9	3,593	3047904
060 UKFG 500	60	500	0,9	4,270	3047905
060 UKFG 600	60	600	0,9	4,957	3047906



■ Standard length 3050 mm.

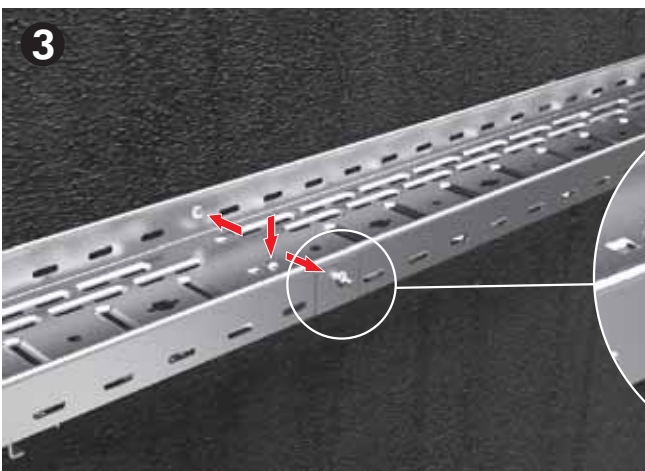
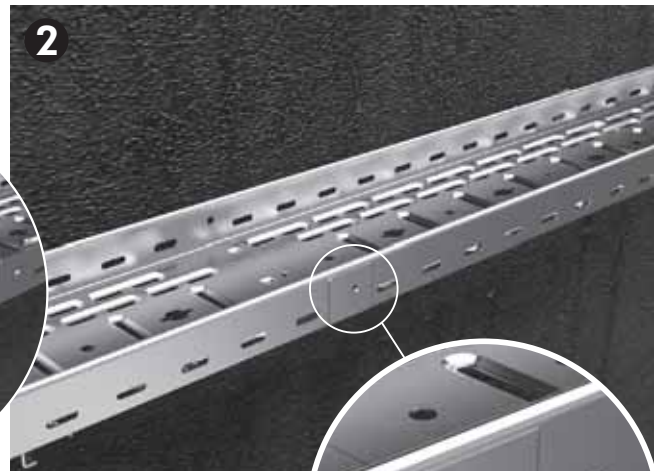
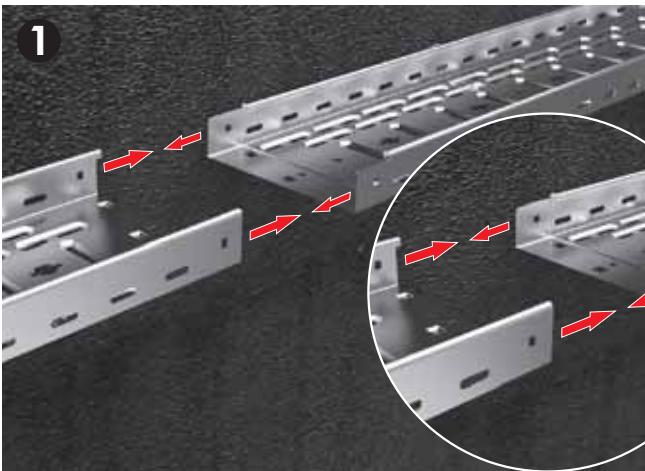
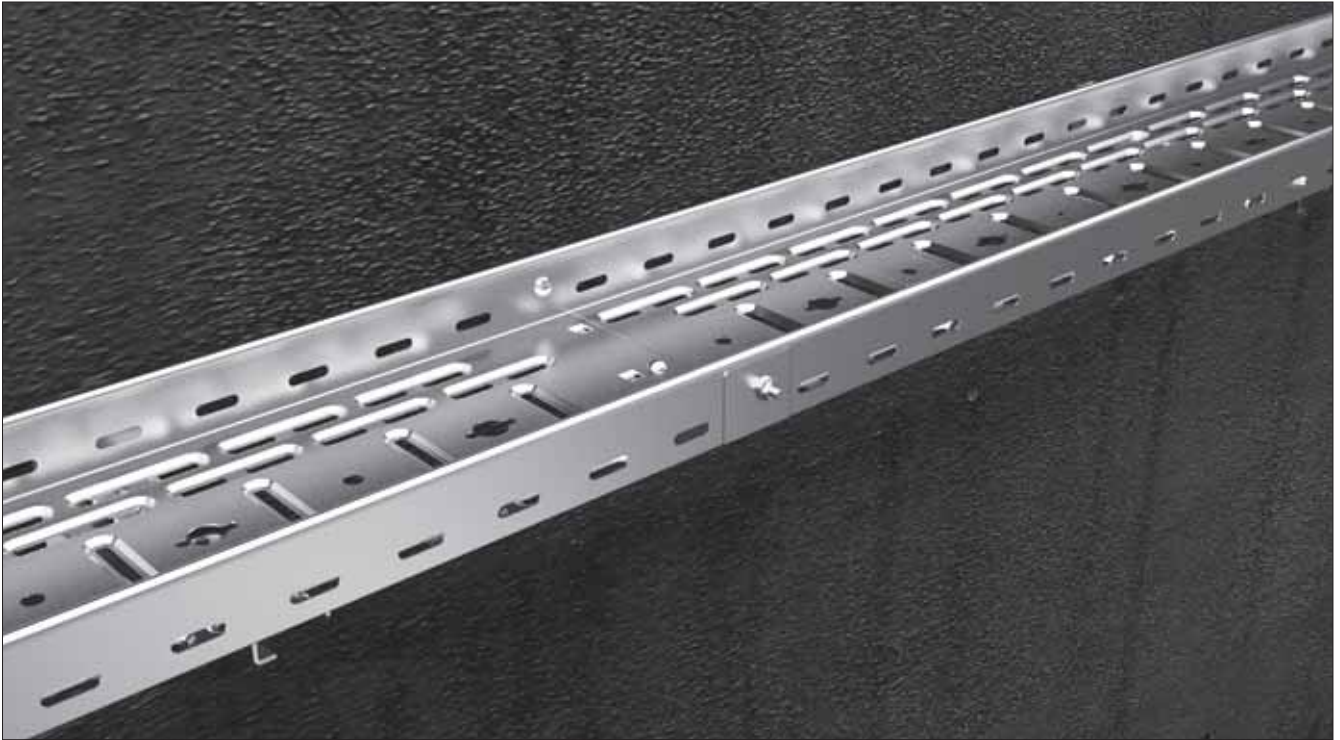


■ Load Perm. Weight may change +/- according to the sheet tolerance and hardness.
Please contact to your customer representative for detailed information.

■ Please indicate order code in your orders.

■ Material weights may vary by $\pm 10\%$

►► **UKF-C CABLE SUPPORT SYSTEMS and ACCESSORIES**



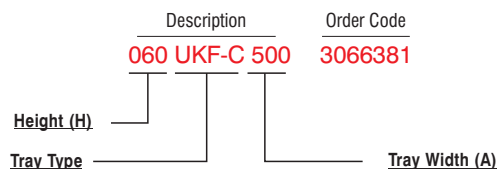
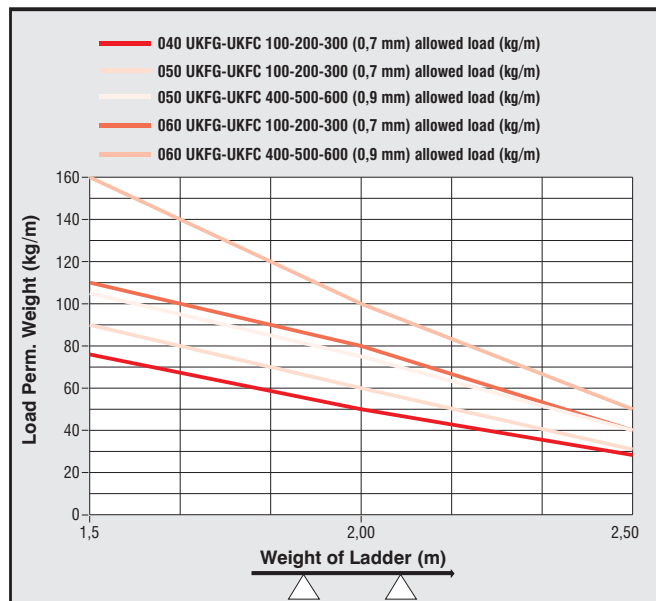
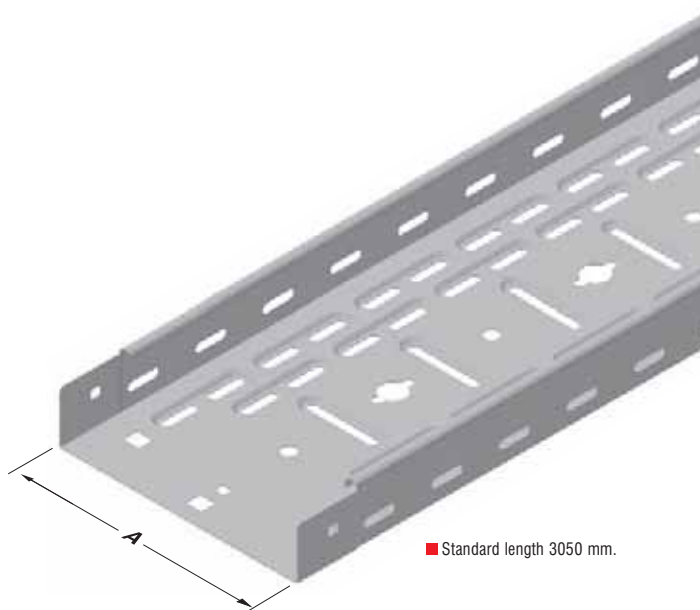
- UKF-C trays provide for fast and easy mounting.
- Complete the operation by interlocking two tray into each other.
- UKF-C ducts may be mounted by means of M6 bolts set without the need for additional elements.

- Material weights may vary by $\pm 10\%$
- **Please indicate order code in your orders.**
- Standard length is 3050 mm.

▶▶ UKF-C CABLE TRAY

Pre-galvanized (TS EN 10346 - TS EN 10143)

Description	H (mm)	A (mm)	T (mm)	Weight (kg./m.)	Order Code	Bolt (pc.)
040 UKF-C 100	40	100	0,7	1,023	3110535	3
040 UKF-C 200	40	200	0,7	1,511	3110536	3
040 UKF-C 300	40	300	0,7	2,063	3110537	4
050 UKF-C 100	50	100	0,7	1,150	3066371	3
050 UKF-C 200	50	200	0,7	1,623	3066372	3
050 UKF-C 300	50	300	0,7	2,152	3066373	4
050 UKF-C 400	50	400	0,9	3,449	3066374	5
050 UKF-C 500	50	500	0,9	4,126	3066375	5
050 UKF-C 600	50	600	0,9	4,813	3066376	5
060 UKF-C 100	60	100	0,7	1,305	3066377	3
060 UKF-C 200	60	200	0,7	1,735	3066378	3
060 UKF-C 300	60	300	0,7	2,263	3066379	4
060 UKF-C 400	60	400	0,9	3,593	3066380	5
060 UKF-C 500	60	500	0,9	4,270	3066381	5
060 UKF-C 600	60	600	0,9	4,957	3066382	5



■ Load Perm. Weight may change +/- according to the sheet tolerance and hardness.
Please contact to your customer representative for detailed information.

■ Please indicate order code in your orders.

■ Material weights may vary by $\pm 10\%$

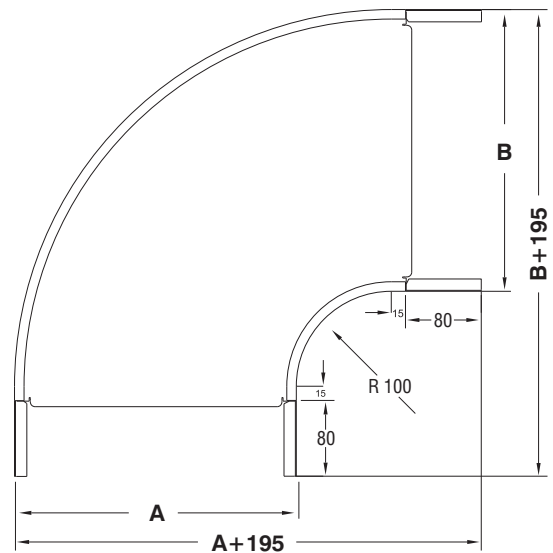
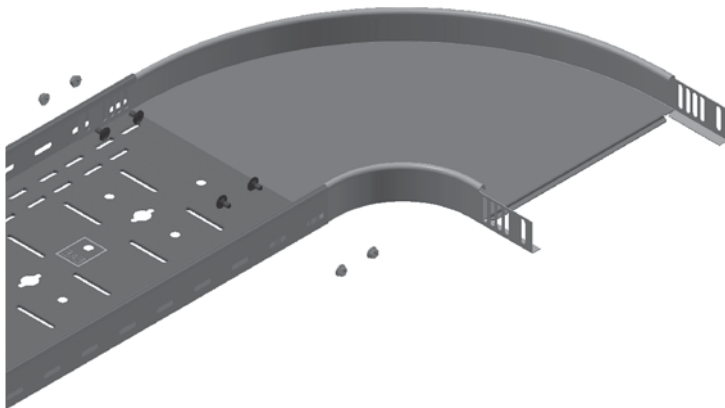
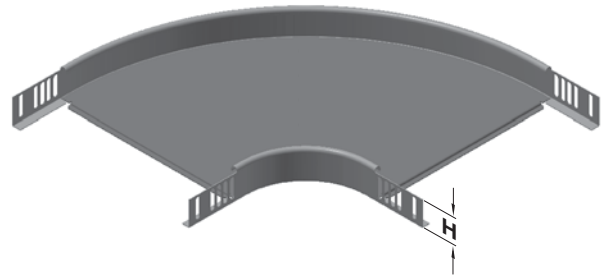


►► **UKFG-C HORIZONTAL ELBOW MODULE (90°)**

Pre-galvanized (TS EN 10346 - TS EN 10143)

YD 90°

Description	H (mm)	A (mm)	T (mm)	Weight (kg/pc)	Order Code
040 UKFG-C 100 YD 90°	40	100	1,2	0,584	3102932
040 UKFG-C 200 YD 90°	40	200	1,2	1,065	3102933
040 UKFG-C 300 YD 90°	40	300	1,2	1,694	3102934
050 UKFG-C 100 YD 90°	50	100	1,2	0,640	3102935
050 UKFG-C 200 YD 90°	50	200	1,2	1,133	3102936
050 UKFG-C 300 YD 90°	50	300	1,2	1,775	3102937
050 UKFG-C 400 YD 90°	50	400	1,2	2,564	3102938
050 UKFG-C 500 YD 90°	50	500	1,2	3,501	3102939
050 UKFG-C 600 YD 90°	50	600	1,2	4,586	3102940
060 UKFG-C 100 YD 90°	60	100	1,2	0,695	3102941
060 UKFG-C 200 YD 90°	60	200	1,2	1,200	3102942
060 UKFG-C 300 YD 90°	60	300	1,2	1,854	3102943
060 UKFG-C 400 YD 90°	60	400	1,2	2,656	3102944
060 UKFG-C 500 YD 90°	60	500	1,2	3,605	3102945
060 UKFG-C 600 YD 90°	60	600	1,2	4,703	3102946



Description	Order Code
060 UKFG-C 500	3102945

Height (H)	Tray Type	Tray Width (A)
------------	-----------	----------------

■ Please indicate order code in your orders.

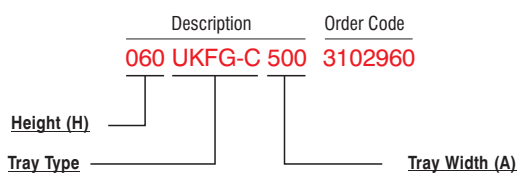
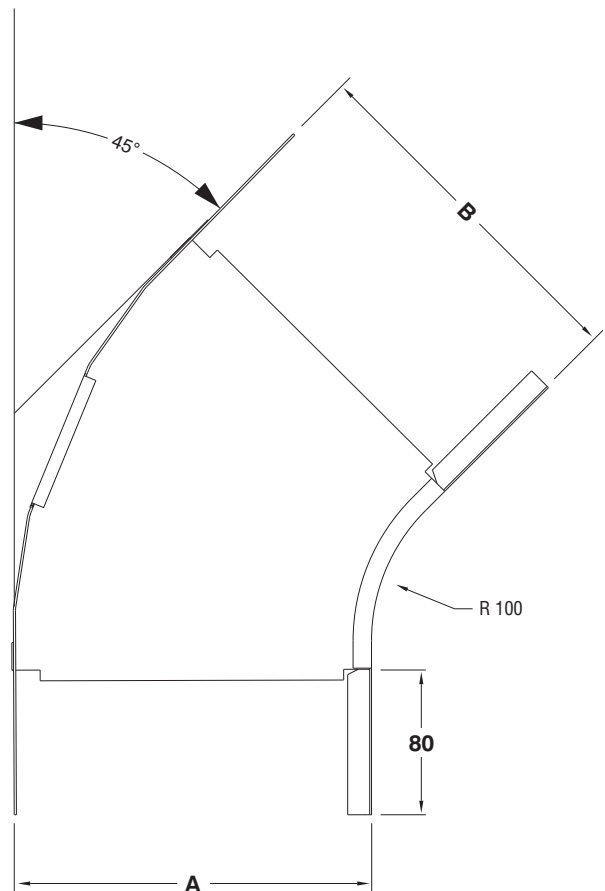
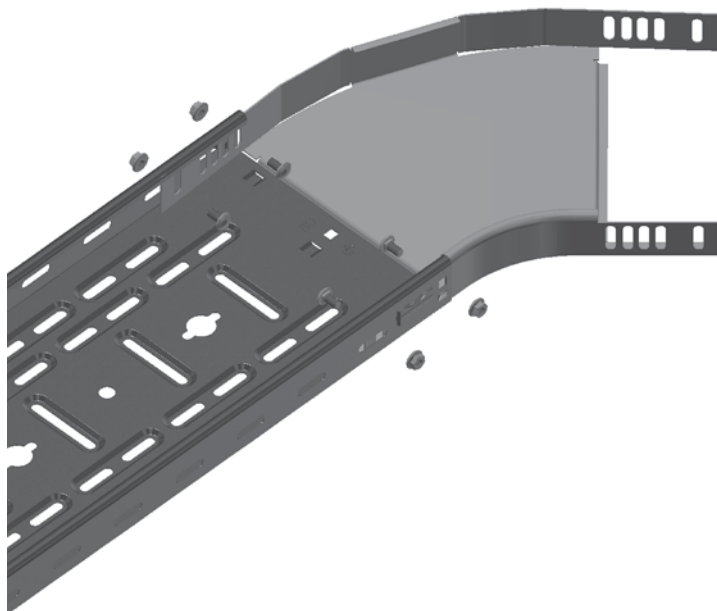
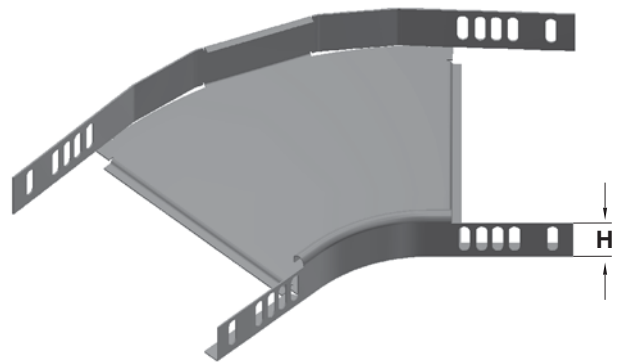
■ Material weights may vary by ± 10%

►► **UKFG-C HORIZONTAL ELBOW MODULE (45°)**

Pre-galvanized (TS EN 10346 - TS EN 10143)

YD 45°

Description	H (mm)	A (mm)	T (mm)	Weight (kg/pc)	Order Code
040 UKFG-C 100 YD 45°	40	100	1,2	0,366	3102947
040 UKFG-C 200 YD 45°	40	200	1,2	0,627	3102948
040 UKFG-C 300 YD 45°	40	300	1,2	0,961	3102949
050 UKFG-C 100 YD 45°	50	100	1,2	0,404	3102950
050 UKFG-C 200 YD 45°	50	200	1,2	0,671	3102951
050 UKFG-C 300 YD 45°	50	300	1,2	1,011	3102952
050 UKFG-C 400 YD 45°	50	400	1,2	1,427	3102953
050 UKFG-C 500 YD 45°	50	500	1,2	1,915	3102954
050 UKFG-C 600 YD 45°	50	600	1,2	2,478	3102955
060 UKFG-C 100 YD 45°	60	100	1,2	0,440	3102956
060 UKFG-C 200 YD 45°	60	200	1,2	0,714	3102957
060 UKFG-C 300 YD 45°	60	300	1,2	1,060	3102958
060 UKFG-C 400 YD 45°	60	400	1,2	1,482	3102959
060 UKFG-C 500 YD 45°	60	500	1,2	1,976	3102960
060 UKFG-C 600 YD 45°	60	600	1,2	2,545	3102961



■ Please indicate order code in your orders.

■ Material weights may vary by ± 10%

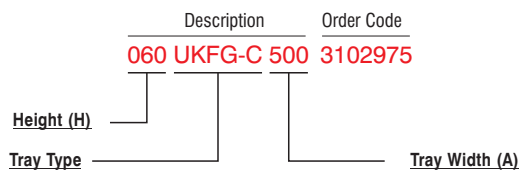
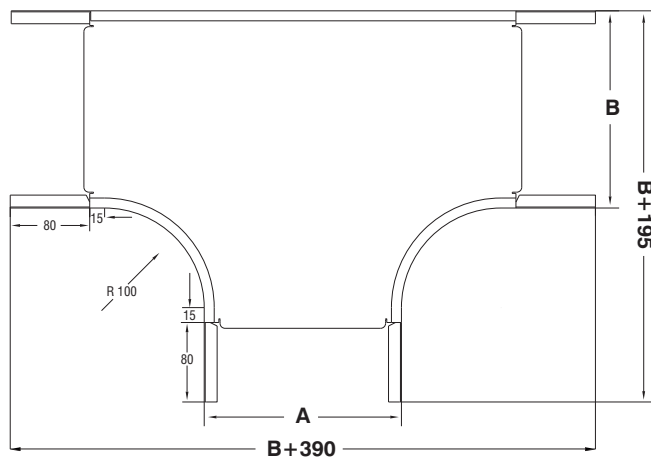
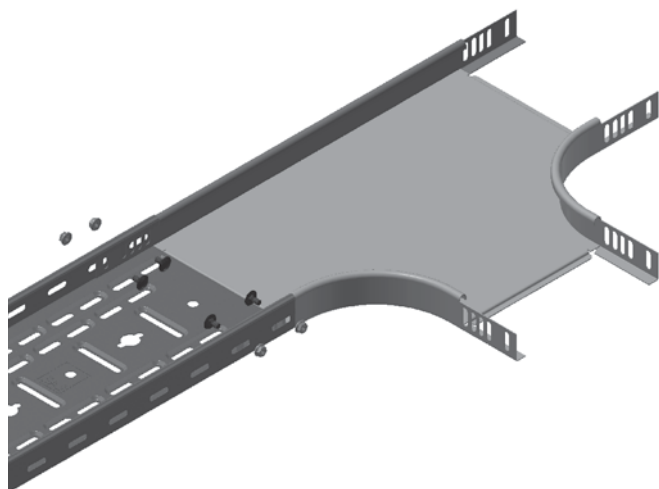
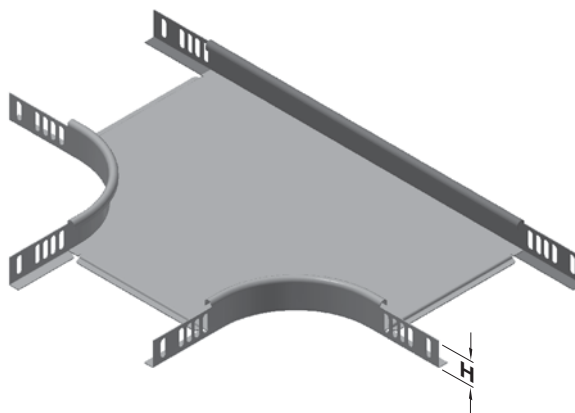


►► UKFG-C “T” MODULE

Pre-galvanized (TS EN 10346 - TS EN 10143)

YT

Description	H (mm)	A (mm)	T (mm)	Weight (kg/pc)	Order Code
040 UKFG-C 100 YT	40	100	1,2	0,927	3102962
040 UKFG-C 200 YT	40	200	1,2	1,604	3102963
040 UKFG-C 300 YT	40	300	1,2	2,466	3102964
050 UKFG-C 100 YT	50	100	1,2	1,004	3102965
050 UKFG-C 200 YT	50	200	1,2	1,689	3102966
050 UKFG-C 300 YT	50	300	1,2	2,558	3102967
050 UKFG-C 400 YT	50	400	1,2	3,615	3102968
050 UKFG-C 500 YT	50	500	1,2	4,859	3102969
050 UKFG-C 600 YT	50	600	1,2	6,293	3102970
060 UKFG-C 100 YT	60	100	1,2	1,082	3102971
060 UKFG-C 200 YT	60	200	1,2	1,775	3102972
060 UKFG-C 300 YT	60	300	1,2	2,653	3102973
060 UKFG-C 400 YT	60	400	1,2	3,717	3102974
060 UKFG-C 500 YT	60	500	1,2	4,969	3102975
060 UKFG-C 600 YT	60	600	1,2	6,411	3102976



■ Please indicate order code in your orders.

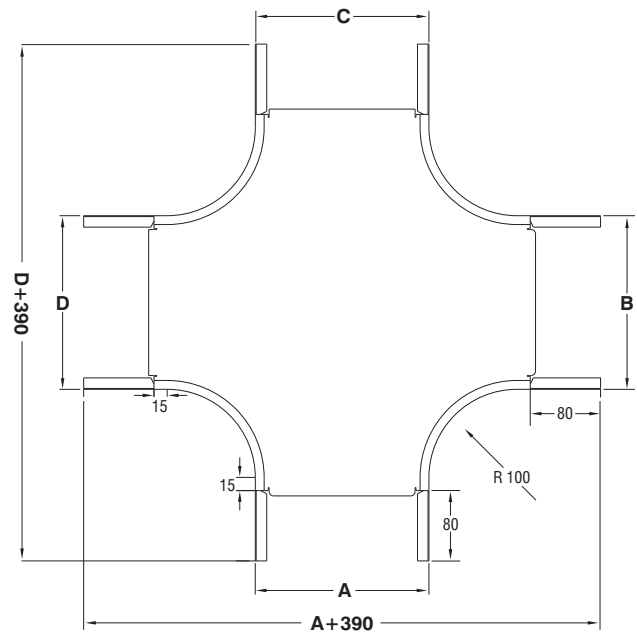
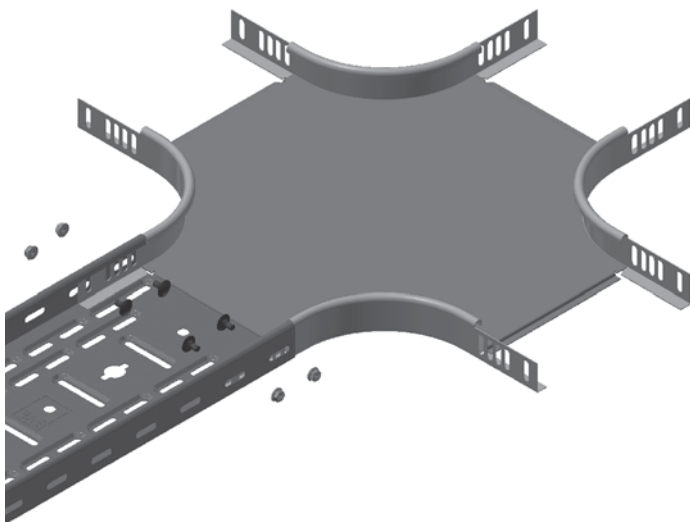
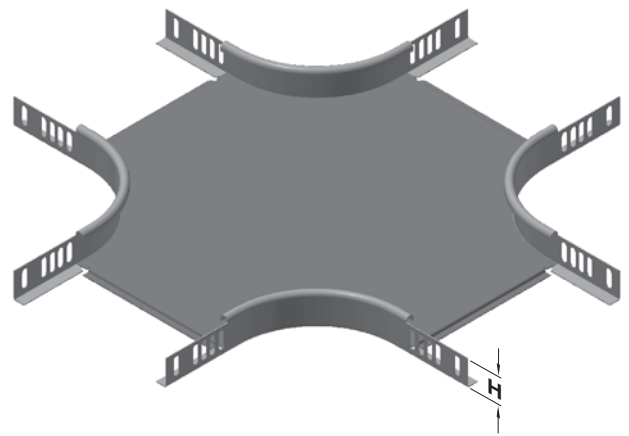
■ Material weights may vary by ± 10%

►► UKFG-C “+” CONNECTION MODULE

Pre-galvanized (TS EN 10346 - TS EN 10143)

AD

Description	H (mm)	A (mm)	T (mm)	Weight (kg/pc)	Order Code
040 UKFG-C 100 AD	40	100	1,2	1,047	3102977
040 UKFG-C 200 AD	40	200	1,2	1,662	3102978
040 UKFG-C 300 AD	40	300	1,2	2,435	3102979
050 UKFG-C 100 AD	50	100	1,2	1,135	3102980
050 UKFG-C 200 AD	50	200	1,2	1,750	3102981
050 UKFG-C 300 AD	50	300	1,2	2,523	3102982
050 UKFG-C 400 AD	50	400	1,2	3,454	3102983
050 UKFG-C 500 AD	50	500	1,2	4,540	3102984
050 UKFG-C 600 AD	50	600	1,2	5,784	3102985
060 UKFG-C 100 AD	60	100	1,2	1,219	3102986
060 UKFG-C 200 AD	60	200	1,2	1,834	3102987
060 UKFG-C 300 AD	60	300	1,2	2,607	3102988
060 UKFG-C 400 AD	60	400	1,2	3,538	3102989
060 UKFG-C 500 AD	60	500	1,2	4,624	3102990
060 UKFG-C 600 AD	60	600	1,2	5,868	3102991



Description	Order Code
060 UKFG-C 500	3102990

Height (H)

Tray Type

Tray Width (A)

■ Please indicate order code in your orders.

■ Material weights may vary by ± 10%

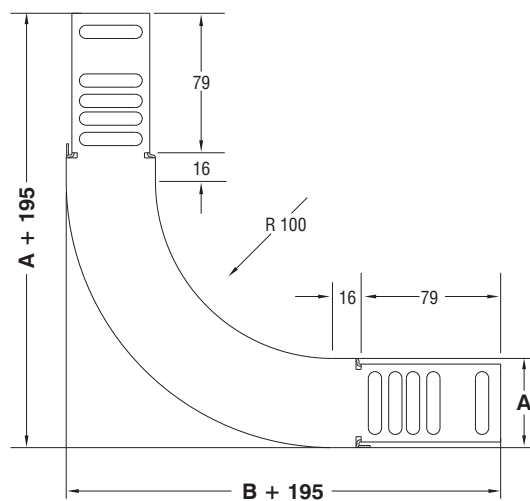
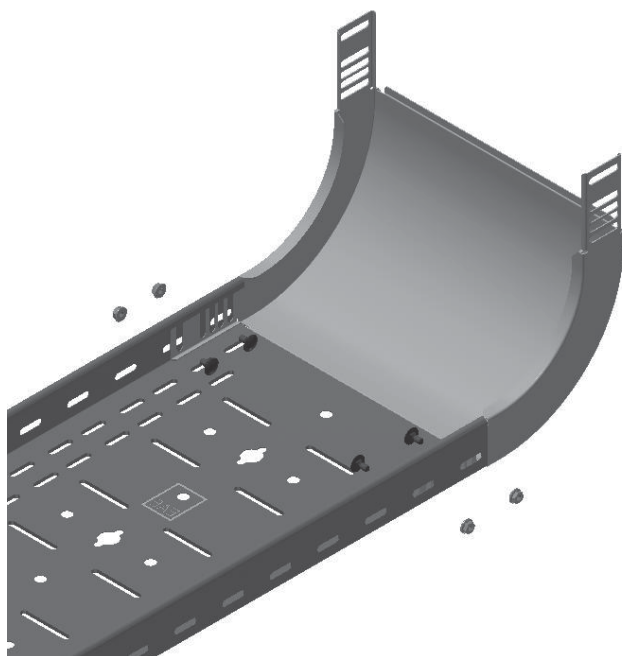
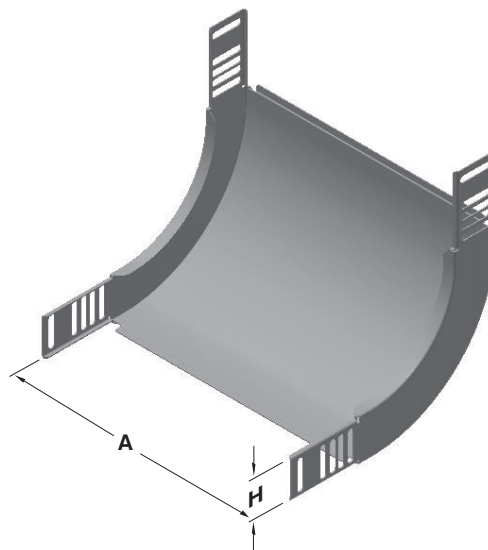


►► UKFG-C **CONCAVE** MODULE (90°)

Pre-galvanized (TS EN 10346 - TS EN 10143)

ID

Description	H (mm)	A (mm)	T (mm)	Weight (kg/pc)	Order Code
040 UKFG-C 100 ID	40	100	1,2	0,464	3102992
040 UKFG-C 200 ID	40	200	1,2	0,669	3102993
040 UKFG-C 300 ID	40	300	1,2	0,874	3102994
050 UKFG-C 100 ID	50	100	1,2	0,533	3102995
050 UKFG-C 200 ID	50	200	1,2	0,751	3102996
050 UKFG-C 300 ID	50	300	1,2	0,968	3102997
050 UKFG-C 400 ID	50	400	1,2	1,186	3102998
050 UKFG-C 500 ID	50	500	1,2	1,403	3102999
050 UKFG-C 600 ID	50	600	1,2	1,620	3103000
060 UKFG-C 100 ID	60	100	1,2	0,605	3103001
060 UKFG-C 200 ID	60	200	1,2	0,835	3103002
060 UKFG-C 300 ID	60	300	1,2	1,064	3103003
060 UKFG-C 400 ID	60	400	1,2	1,294	3103004
060 UKFG-C 500 ID	60	500	1,2	1,524	3103005
060 UKFG-C 600 ID	60	600	1,2	1,754	3103006



Description	Order Code
060 UKFG-C 500	3103005



■ Please indicate order code in your orders.

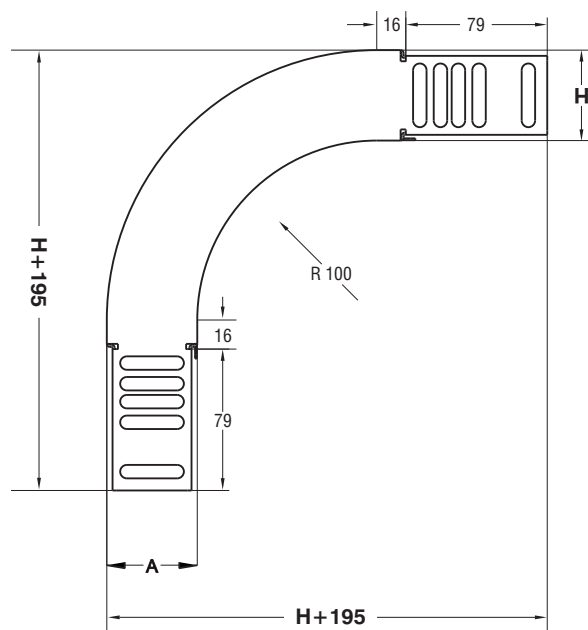
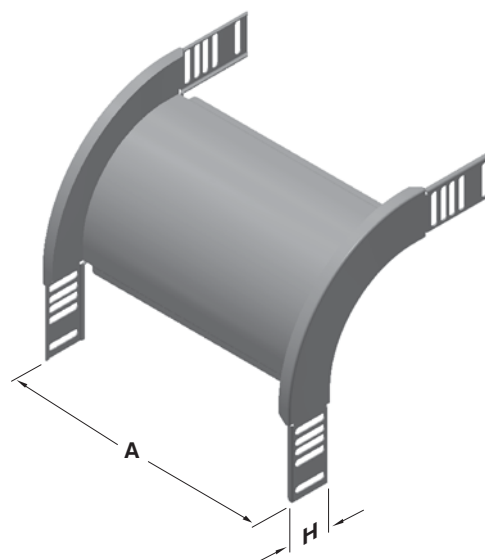
■ Material weights may vary by ± 10%

►► UKFG-C CONVEX MODULE (90°)

Pre-galvanized (TS EN 10346 - TS EN 10143)

DD

Description	H (mm)	A (mm)	T (mm)	Weight (kg/pc)	Order Code
040 UKFG-C 100 DD	40	100	1,2	0,423	3103007
040 UKFG-C 200 DD	40	200	1,2	0,586	3103008
040 UKFG-C 300 DD	40	300	1,2	0,749	3103009
050 UKFG-C 100 DD	50	100	1,2	0,481	3103010
050 UKFG-C 200 DD	50	200	1,2	0,644	3103011
050 UKFG-C 300 DD	50	300	1,2	0,807	3103012
050 UKFG-C 400 DD	50	400	1,2	0,970	3103013
050 UKFG-C 500 DD	50	500	1,2	1,133	3103014
050 UKFG-C 600 DD	50	600	1,2	1,296	3103015
060 UKFG-C 100 DD	60	100	1,2	0,541	3103016
060 UKFG-C 200 DD	60	200	1,2	0,704	3103017
060 UKFG-C 300 DD	60	300	1,2	0,867	3103018
060 UKFG-C 400 DD	60	400	1,2	1,030	3103019
060 UKFG-C 500 DD	60	500	1,2	1,193	3103020
060 UKFG-C 600 DD	60	600	1,2	1,356	3103021



Description	Order Code
060 UKFG-C 500	3103020

Height (H) ————
 Tray Type ————
 Tray Width (A) ————

■ Please indicate order code in your orders.

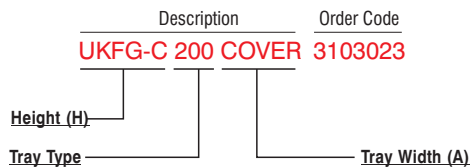
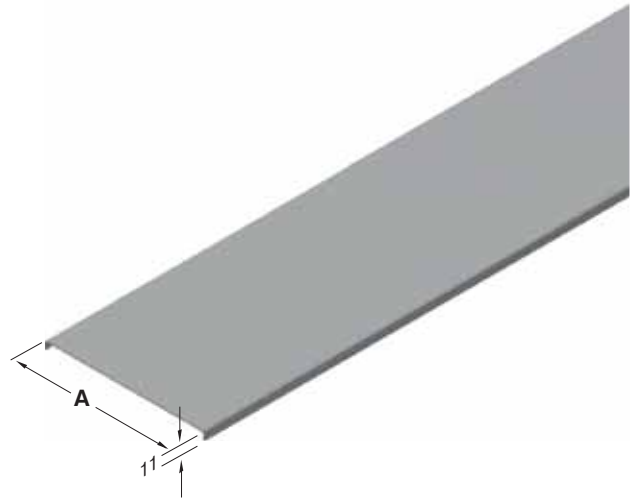
■ Material weights may vary by ± 10%



►► **UKFG-C TRAY COVER**

Pre-galvanized (TS EN 10346 - TS EN 10143)

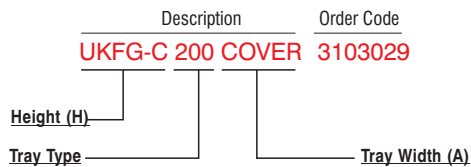
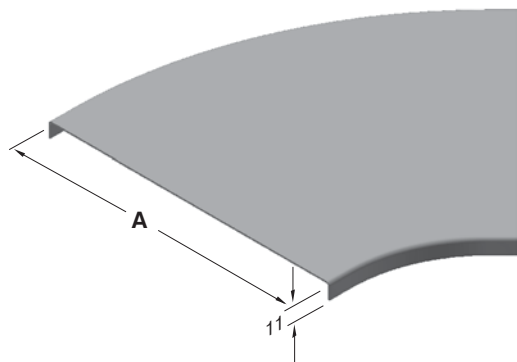
Description	A (mm)	T (mm)	Weight (kg/m)	Order Code
UKFG-C 100 COVER	105	0,7	0,672	3103022
UKFG-C 200 COVER	205	0,7	1,220	3103023
UKFG-C 300 COVER	305	0,7	1,772	3103024
UKFG-C 400 COVER	405	0,9	2,989	3103025
UKFG-C 500 COVER	505	0,9	3,699	3103026
UKFG-C 600 COVER	605	0,9	4,409	3103027



►► **UKFG-C HORIZONTAL ELBOW MODULE COVER (45°)**

Pre-galvanized (TS EN 10346 - TS EN 10143)

Description	A (mm)	T (mm)	Weight (kg/pc)	Order Code
UKFG-C 100 YD COVER 45°	100	1,2	0,165	3103028
UKFG-C 200 YD COVER 45°	200	1,2	0,385	3103029
UKFG-C 300 YD COVER 45°	300	1,2	0,679	3103030
UKFG-C 400 YD COVER 45°	400	1,2	1,046	3103031
UKFG-C 500 YD COVER 45°	500	1,2	1,488	3103032
UKFG-C 600 YD COVER 45°	600	1,2	2,004	3103033



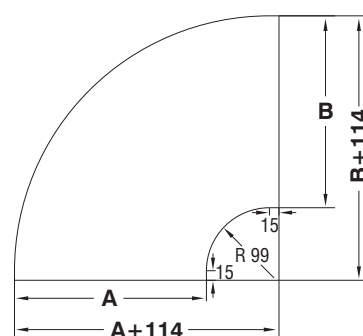
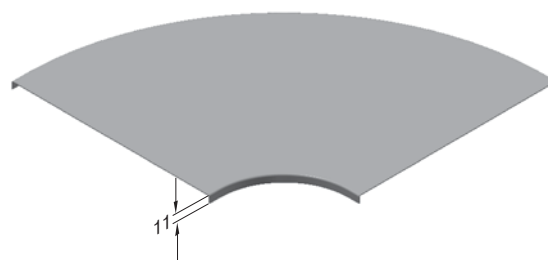
■ Please indicate order code in your orders.

■ Material weights may vary by ± 10%

►► **UKFG-C HORIZONTAL ELBOW MODULE COVER (90°)**

Pre-galvanized (TS EN 10346 - TS EN 10143)

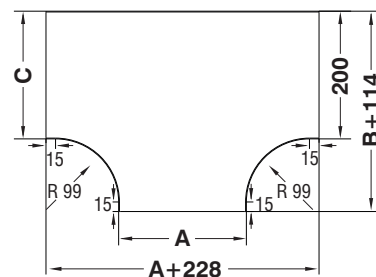
Description	A (mm)	T (mm)	Weight (kg/pc)	Order Code
UKFG-C 100 YD COVER (90°)	100	1,2	0,297	3103034
UKFG-C 200 YD COVER (90°)	200	1,2	0,703	3103035
UKFG-C 300 YD COVER (90°)	300	1,2	1,267	3103036
UKFG-C 400 YD COVER (90°)	400	1,2	1,974	3103037
UKFG-C 500 YD COVER (90°)	500	1,2	3,058	3103038
UKFG-C 600 YD COVER (90°)	600	1,2	4,336	3103039



►► **UKFG-C "T" MODULE COVER**

Pre-galvanized (TS EN 10346 - TS EN 10143)

Description	A (mm)	T (mm)	Weight (kg/pc)	Order Code
UKFG-C 100 YT COVER	100	1,2	0,523	3103040
UKFG-C 200 YT COVER	200	1,2	1,138	3103041
UKFG-C 300 YT COVER	300	1,2	1,942	3103042
UKFG-C 400 YT COVER	400	1,2	2,934	3103043
UKFG-C 500 YT COVER	500	1,2	4,115	3103044
UKFG-C 600 YT COVER	600	1,2	5,484	3103045



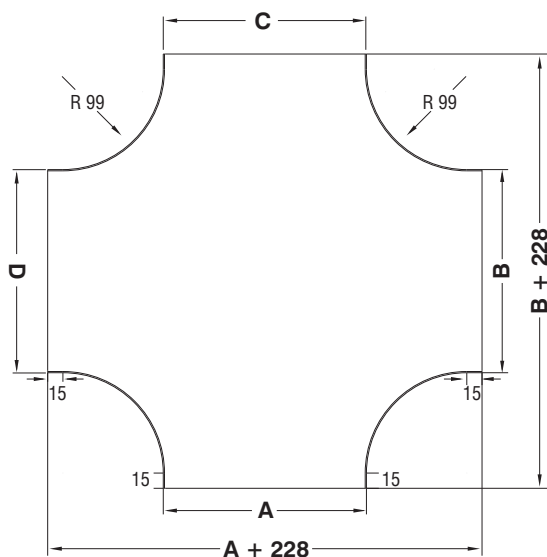
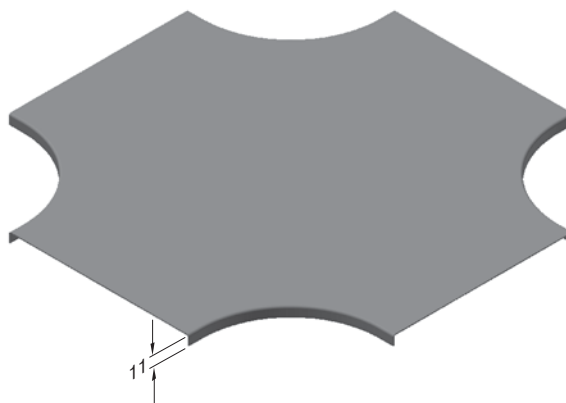
■ Please indicate order code in your orders.

■ Material weights may vary by ± 10%

►► **UKFG-C “+” CONNECTION MODULE COVER (90°)**

Pre-galvanized (TS EN 10346 - TS EN 10143)

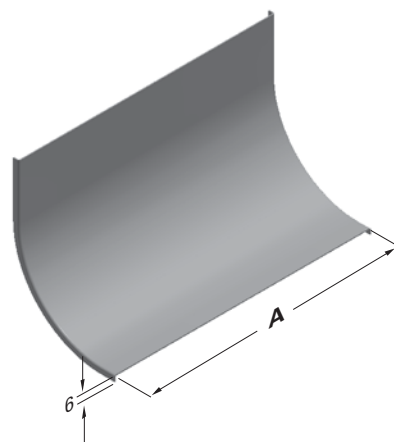
Description	A (mm)	T (mm)	Weight (kg/pc)	Order Code
UKFG-C 100 AD COVER	100	1,2	0,672	3103046
UKFG-C 200 AD COVER	200	1,2	1,385	3103047
UKFG-C 300 AD COVER	300	1,2	2,285	3103048
UKFG-C 400 AD COVER	400	1,2	3,375	3103049
UKFG-C 500 AD COVER	500	1,2	4,652	3103050
UKFG-C 600 AD COVER	600	1,2	6,118	3103051



►► **UKFG-C CONCAVE MODULE COVER**

Pre-galvanized (TS EN 10346 - TS EN 10143)

Description	A (mm)	T (mm)	Weight (kg/pc)	Order Code
UKFG-C 100 ID COVER	100	1,2	0,196	3103052
UKFG-C 200 ID COVER	200	1,2	0,373	3103053
UKFG-C 300 ID COVER	300	1,2	0,546	3103054
UKFG-C 400 ID COVER	400	1,2	0,721	3103055
UKFG-C 500 ID COVER	500	1,2	0,896	3103056
UKFG-C 600 ID COVER	600	1,2	1,070	3103057



■ Please indicate order code in your orders.

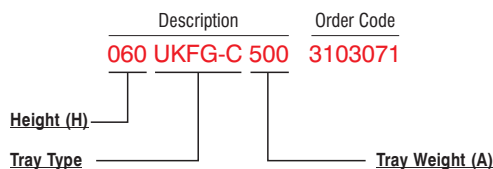
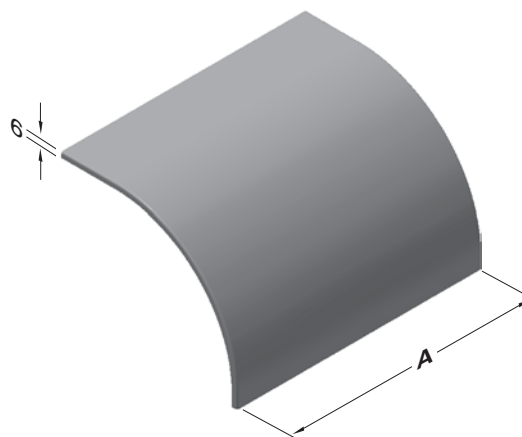
■ Material weights may vary by ± 10%

►► **UKFG-C CONVEX MODULE COVER**

Pre-galvanized (TS EN 10346 - TS EN 10143)

DD

Description	A (mm)	T (mm)	Weight (kg/pc)	Order Code
040 UKFG-C 100 DD COVER	100	1,2	0,259	3103058
040 UKFG-C 200 DD COVER	200	1,2	0,495	3103059
040 UKFG-C 300 DD COVER	300	1,2	0,732	3103060
050 UKFG-C 100 DD COVER	100	1,2	0,275	3103061
050 UKFG-C 200 DD COVER	200	1,2	0,527	3103062
050 UKFG-C 300 DD COVER	300	1,2	0,778	3103063
050 UKFG-C 400 DD COVER	400	1,2	1,029	3103064
050 UKFG-C 500 DD COVER	500	1,2	1,280	3103065
050 UKFG-C 600 DD COVER	600	1,2	1,531	3103066
060 UKFG-C 100 DD COVER	100	1,2	0,292	3103067
060 UKFG-C 200 DD COVER	200	1,2	0,558	3103068
060 UKFG-C 300 DD COVER	300	1,2	0,823	3103069
060 UKFG-C 400 DD COVER	400	1,2	1,089	3103070
060 UKFG-C 500 DD COVER	500	1,2	1,355	3103071
060 UKFG-C 600 DD COVER	600	1,2	1,621	3103072



■ Please indicate order code in your orders.

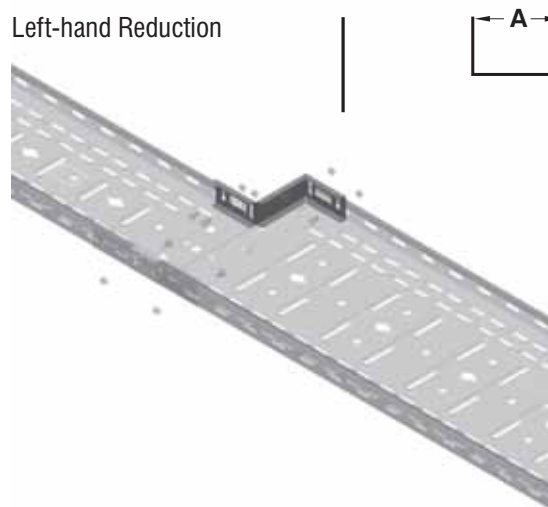
■ Material weights may vary by ± 10%

►► UKFG-C REDUCTION

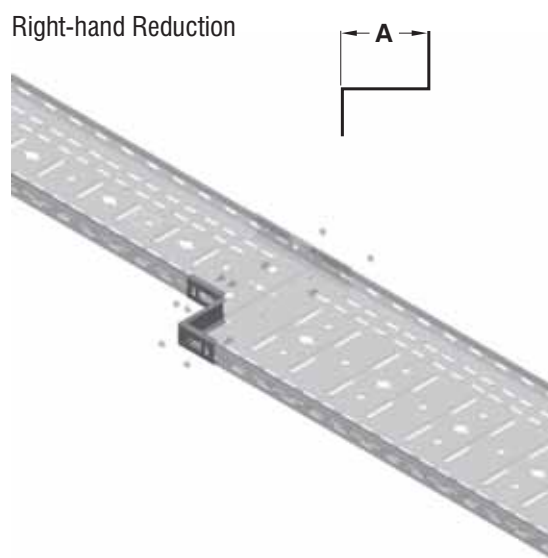
Pre-galvanized (TS EN 10346 - TS EN 10143)

Description	H (mm)	A (mm)	T (mm)	Weight (kg/pc)	Order Code
040 UKFG-C 050 RD	40	50	1,2	0,179	3103088
040 UKFG-C 100 RD	40	100	1,2	0,207	3103089
040 UKFG-C 150 RD	40	150	1,2	0,236	3103090
040 UKFG-C 200 RD	40	200	1,2	0,264	3103091
040 UKFG-C 250 RD	40	250	1,2	0,293	3103092
040 UKFG-C 300 RD	40	300	1,2	0,321	3103093
050 UKFG-C 050 RD	50	50	1,2	0,199	3103094
050 UKFG-C 100 RD	50	100	1,2	0,232	3103095
050 UKFG-C 150 RD	50	150	1,2	0,266	3103096
050 UKFG-C 200 RD	50	200	1,2	0,299	3103097
050 UKFG-C 250 RD	50	250	1,2	0,332	3103098
050 UKFG-C 300 RD	50	300	1,2	0,365	3103099
060 UKFG-C 050 RD	60	50	1,2	0,237	3103100
060 UKFG-C 100 RD	60	100	1,2	0,275	3103101
060 UKFG-C 150 RD	60	150	1,2	0,313	3103102
060 UKFG-C 200 RD	60	200	1,2	0,351	3103103
060 UKFG-C 250 RD	60	250	1,2	0,389	3103104
060 UKFG-C 300 RD	60	300	1,2	0,427	3103105

Left-hand Reduction



Right-hand Reduction



■ Please indicate order code in your orders.

■ Please contact us for special modules.

■ Material weights may vary by $\pm 10\%$

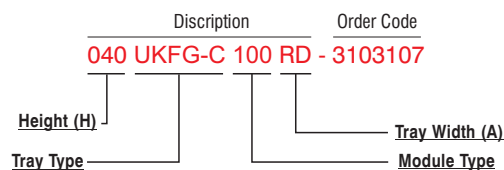
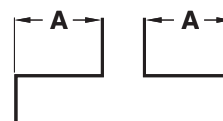
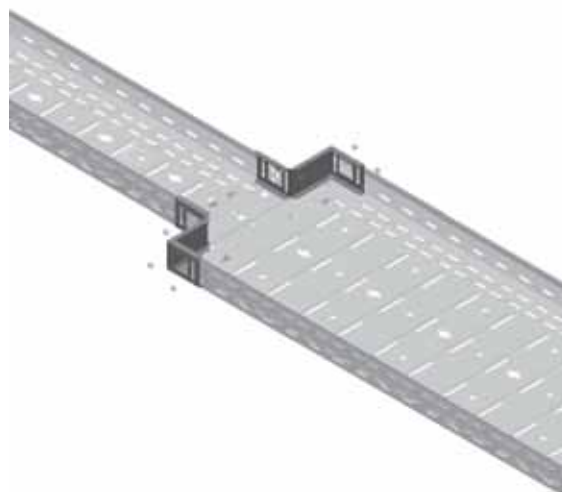


►► **UKFG-C MIDDLE REDUCTION**

Pre-galvanized (TS EN 10346 - TS EN 10143)

Description	H (mm)	A (mm)	T (mm)	Weight (kg/set)	Order Code
040 UKFG-C 050 RD	40	50	1,2	0,200	3103106
040 UKFG-C 100 RD	40	100	1,2	0,256	3103107
040 UKFG-C 150 RD	40	150	1,2	0,314	3103108
040 UKFG-C 200 RD	40	200	1,2	0,370	3103109
040 UKFG-C 250 RD	40	250	1,2	0,428	3103110
040 UKFG-C 300 RD	40	300	1,2	0,484	3103111
050 UKFG-C 050 RD	50	50	1,2	0,220	3103112
050 UKFG-C 100 RD	50	100	1,2	0,286	3103113
050 UKFG-C 150 RD	50	150	1,2	0,354	3103114
050 UKFG-C 200 RD	50	200	1,2	0,420	3103115
050 UKFG-C 250 RD	50	250	1,2	0,486	3103116
050 UKFG-C 300 RD	50	300	1,2	0,552	3103117
060 UKFG-C 050 RD	60	50	1,2	0,240	3103118
060 UKFG-C 100 RD	60	100	1,2	0,316	3103119
060 UKFG-C 150 RD	60	150	1,2	0,392	3103120
060 UKFG-C 200 RD	60	200	1,2	0,468	3103121
060 UKFG-C 250 RD	60	250	1,2	0,544	3103122
060 UKFG-C 300 RD	60	300	1,2	0,620	3103123

Middle Reduction



■ Please indicate order code in your orders.

■ Please contact us for special modules.

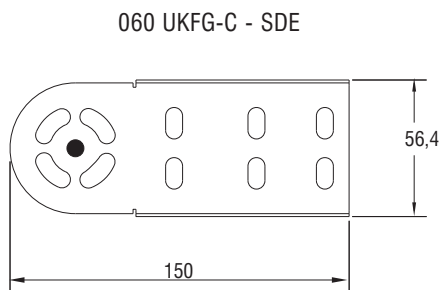
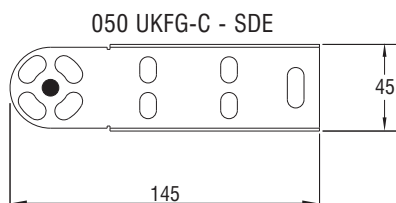
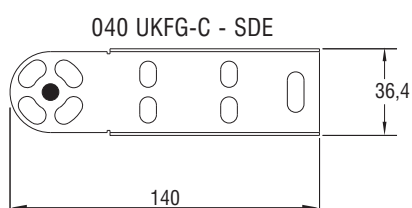
■ Material weights may vary by ± 10%

►► **UKFG-C LEVEL ADAPTATION JOINT SET**

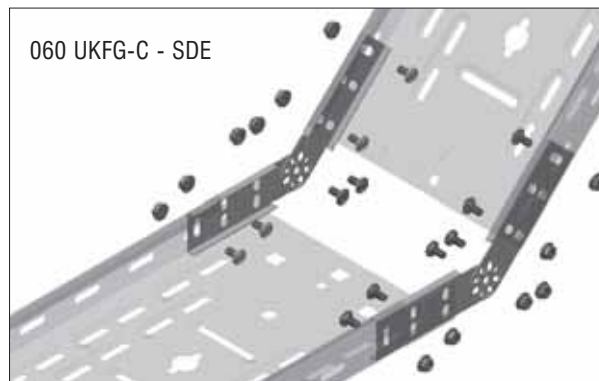
Pre-galvanized (TS EN 10346 - TS EN 10143)

Description	H (mm)	T (mm)	Weight (kg/set)	Order Code
040 UKFG-C SDE	40	1,2	0,224	3103124
050 UKFG-C SDE	50	1,2	0,284	3103125
060 UKFG-C SDE	60	1,2	0,360	3103126

Level Adaptable Joint Set



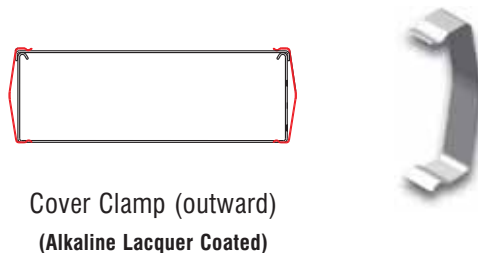
Level adaptation joint set contains right and left vertical adjustable joint units and 4 M6x12 bolt set.



- Please indicate order code in your orders.
- Please contact us for special size.
- Material weights may vary by ± 10%

►► UKFG-C CABLE TRAY COVER CLAMPS

Description	Weight (kg/pc)	Order Code
040 COVER CLAMP (Outward)	0,010	1004254
050 COVER CLAMP (Outward)	0,013	1004184
060 COVER CLAMP (Outward)	0,015	1004253



►► UKFG-C CABLE TRAY JOINT BOLT & NUT SET

Description	Weight (kg/pc)	Order Code
JOINT BOLT SET M6	0,009	1004314

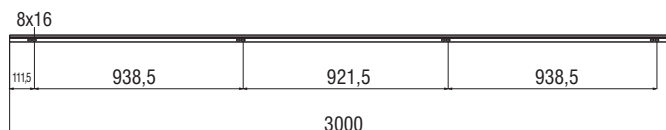


- Contains 1 unit M6x12 dished head bolt + 1 unit M6 flanged nut. Coated with standard lac.

►► UKS (UKFG) SEPARATOR

Pre-galvanized (TS EN 10346 - TS EN 10143)

Description	H (mm)	T (mm)	Weight (kg/m)	Order Code
040 UKS (UKFG-C-E) SEPARATOR	38	0,8	0,380	3103127
050 UKS (UKFG-C-E) SEPARATOR	48	0,8	0,440	3103128
060 UKS (UKFG-C-E) SEPARATOR	58	0,8	0,500	3103129



- Please indicate order code in your orders.
- Please contact us for special size.
- Material weights may vary by ± 10%

E-LINE KM

CABLE LADDER SYSTEMS



Pre-galvanized
Foldable Cable Ladders



KM



E-Line KM

Cable Ladder and Modules

UKS YD
Horizontal Elbow Modules

KM
Left-hand Reduction

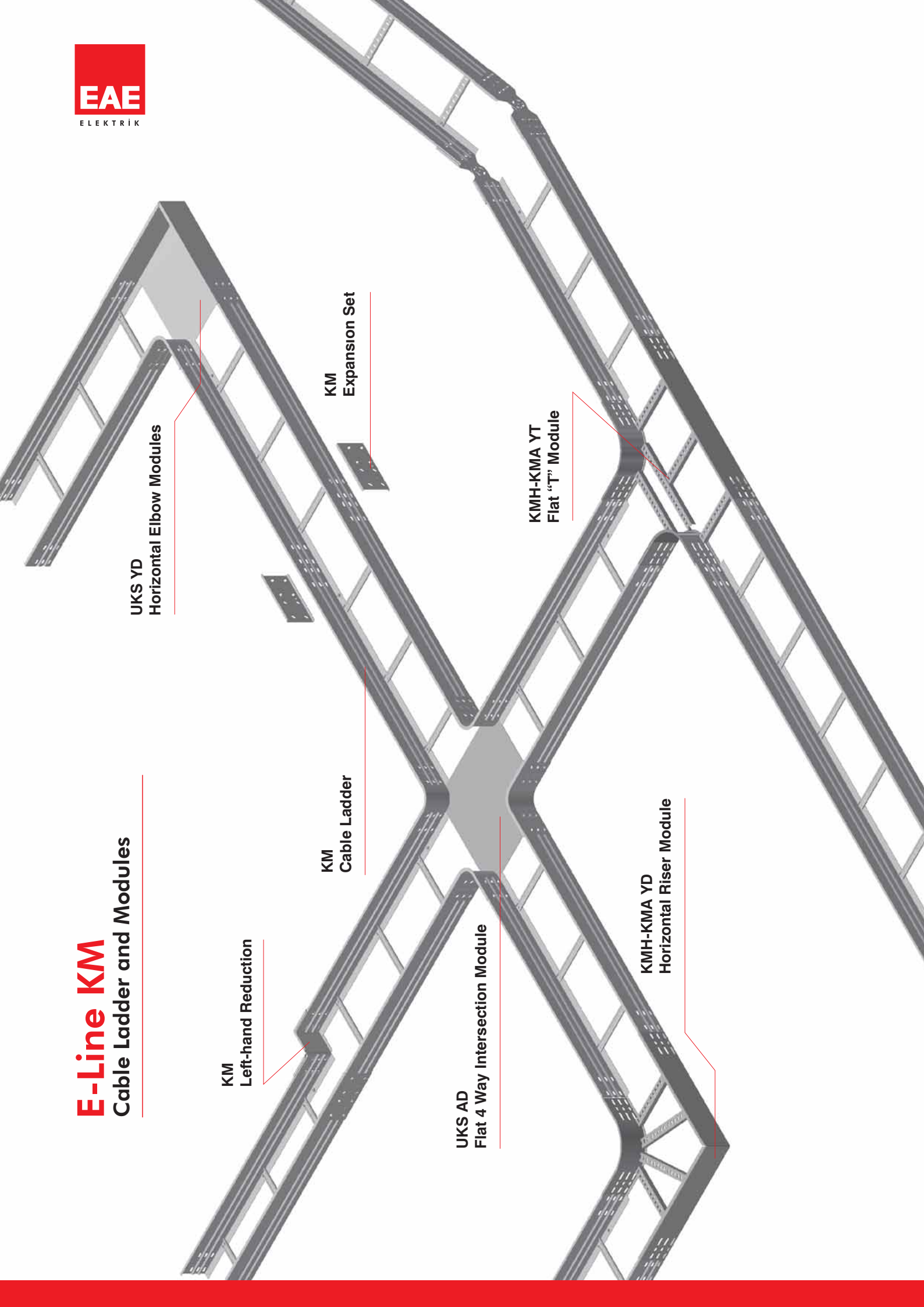
KM
Cable Ladder

KM
Expansion Set

UKS AD
Flat 4 Way Intersection Module

KMH-KMA YT
Flat "T" Module

KMH-KMA YD
Horizontal Riser Module



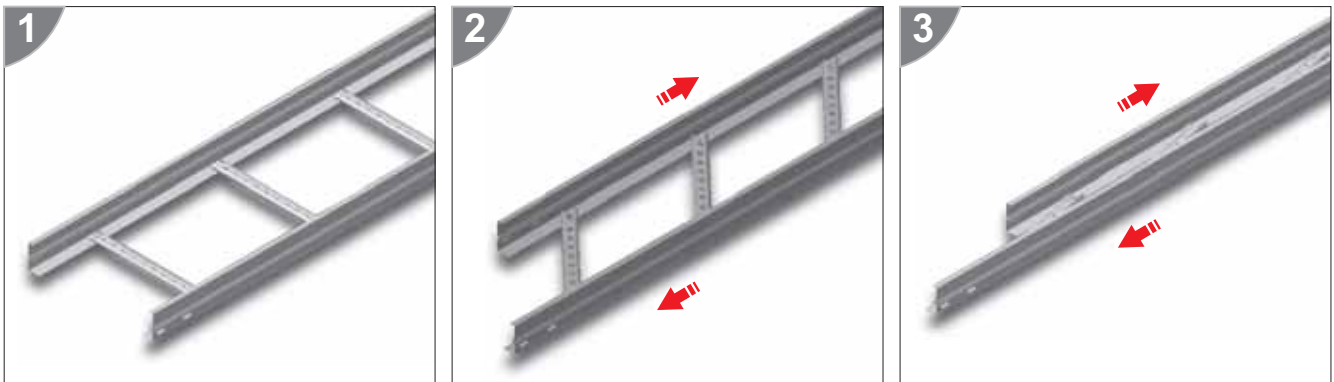


CONTENTS

3	How To Choose Correct Cable For KM Type Cable Ladder?
4	Foldable Cable Ladders
5	KM Joint Fitting
6	KM Expansion Set
7	KM Reduction Module
8	KM Cable Clamp

CABLE LADDERS SYSTEMS

▶▶ FOLDABLE CABLE LADDERS



Steps to be followed for choosing the correct KM is stated below:

SAMPLE APPLICATION IN CHOOSING KM

SPECIFYING CABLES FOR IN LADDER				
STEP 1	CHOSEN CABLE TYPE	AMOUNT	DIAMETER (Ø mm)	WEIGHT (kg/m.)
	4*1,5	50	13	0,250
	4*6	30	17,5	0,545
	4*25	20	27,5	1,610

SPECIFYING THE TOTAL CUTAWAY OF CABLES IN LADDER				
STEP 2	CHOSEN CABLE TYPE	AMOUNT	DIAMETER (Ø mm)	TOTAL CROSS SECTION AREA (mm ²)
	4*1,5	50	13	$50 \times 13^2 = 8450$
	4*6	30	17,5	$30 \times 17,5^2 = 9188$
	4*25	20	27,5	$20 \times 27,5^2 = 15125$
				=32763

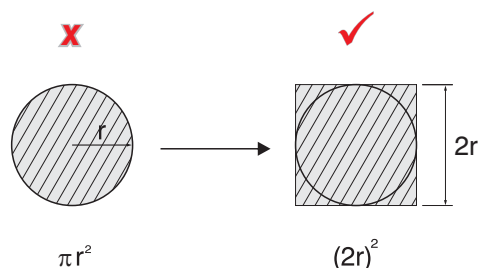
SPECIFYING THE WEIGHT OF CABLES IN LADDER				
STEP 3	CHOSEN CABLE TYPE	AMOUNT	WEIGHT (kg/m.)	TOTAL WEIGHT (kg/m.)
	4*1,5	50	0,250	$50 \times 0,250 = 12,50$
	4*6	30	0,545	$30 \times 0,545 = 16,35$
	4*25	20	1,610	$20 \times 1,610 = 32,20$
				TOTAL WEIGHT =61,05 kg/m
TOTAL LOAD		1,5m x 61,05=91,575 kg/m		

- The total cross section area of the cables stated in the above table is 32763 mm². (Step 2) Therefore the most suitable area taken from the above table is 34800 mm². For this a 100 KM 500 ladder will be provided. 100 KM 500 ladder, with 1.5m hanger spacing Holds 370 kg. of weight. (page 4) There for (370>91,575) 100 KM 500 ladder is appropriate for usage.

- Product can be folded one way only.
- Packaging and delivery is considerably easier due to its foldability.

▶▶ HOW TO CHOOSE CORRECT CABLE FOR KM TYPE CABLE LADDER ?

In practical application, cross section area of cables should be calculated according to the example below.



- 1- Please use $(2r)^2$ the formula instead of πr^2 for cross section.
- 2- Find the total cross section bu calculating all the cables.
- 3- Leave 20% reserve for additional cables.
- 4- Choose the correct transportation system from the table below.
- 5- When choosing please choose the figure rounded up from the cutaway sizes.

Table 1

KM CABLE TRAYS MAX.HAUL CAPACITY			
CABLE TYPE	CABLE OUTER DIAMETER (Ø mm)	NET WEIGHT (kg)	NOMINAL CROSS SECTION (mm ²)
4*1,5	13	0,250	169
4*2,5	14,5	0,330	210
4*4	16,5	0,435	272
4*6	17,5	0,545	306
4*10	19,5	0,745	380
4*16	21,5	1,030	462
4*25	27,5	1,610	756
4*35	30	2,080	900
4*50	33	2,690	1089

Table 2

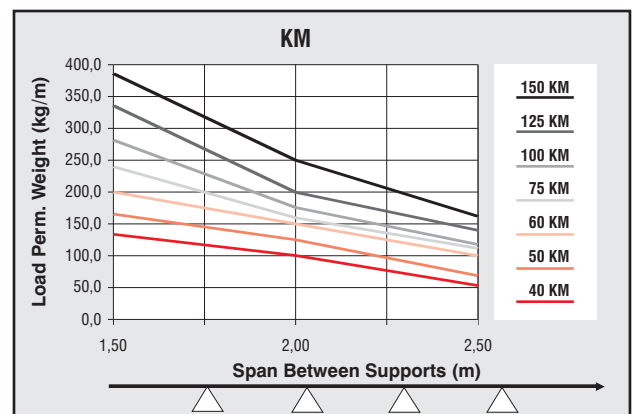
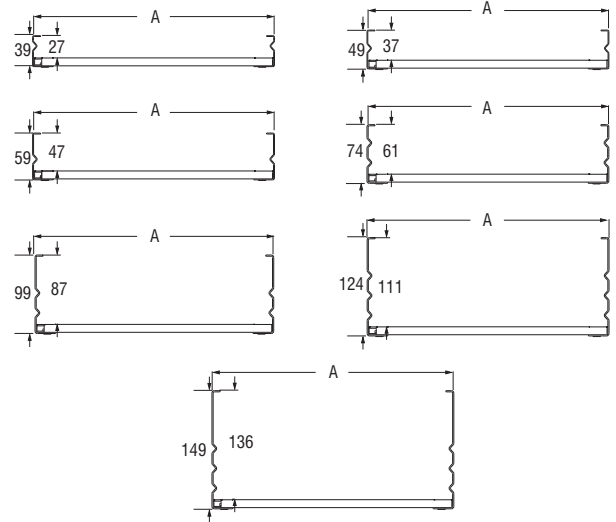
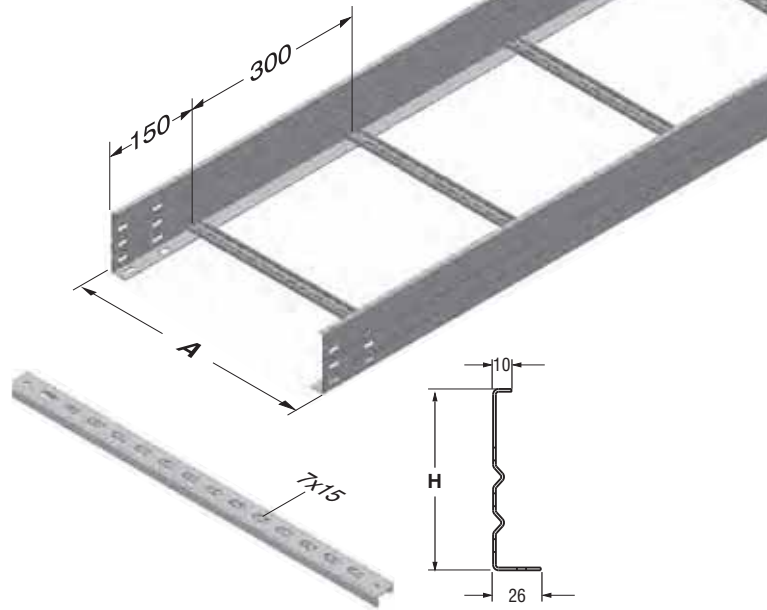
		USABLE NET CROSS SECTION AREA(mm ²)						
		(H) TRAY HEIGHT (mm)						
		40(27)	50(37)	60(47)	75(61)	100(87)	125(111)	150(136)
(A) TRAY WIDTH (mm)	100	2160	2960	3760	4880	6960	-----	-----
	200	4320	5920	7520	9760	13920	17760	21760
	300	6480	8880	11280	14640	20880	26640	32640
	400	8640	11840	15040	19520	27840	35520	43520
	500	10800	14800	18800	24400	34800	44400	54400
	600	12960	17760	22560	29280	41760	53280	65280



►► FOLDABLE CABLE LADDER

Pre-galvanized (TS EN 10346 - TS EN 10143)

Description	H (mm)	A (mm)	Cable Area (cm ²)	Weight (kg./m.)	Order Code
040 KM 100	40	100	27	1,481	3025383
040 KM 200	40	200	55	1,651	3025384
040 KM 300	40	300	83	1,817	3025385
040 KM 400	40	400	111	1,987	3025386
040 KM 500	40	500	139	2,154	3025387
040 KM 600	40	600	167	2,324	3025388
050 KM 100	50	100	37	1,669	3025389
050 KM 200	50	200	75	1,839	3025390
050 KM 300	50	300	113	2,005	3025391
050 KM 400	50	400	151	2,175	3025392
050 KM 500	50	500	189	2,342	3025393
050 KM 600	50	600	227	2,512	3025394
060 KM 100	60	100	47	1,857	3025395
060 KM 200	60	200	95	2,027	3025396
060 KM 300	60	300	143	2,194	3025397
060 KM 400	60	400	191	2,364	3025398
060 KM 500	60	500	239	2,531	3025399
060 KM 600	60	600	287	2,701	3025400
075 KM 100	75	100	62	2,613	3025401
075 KM 200	75	200	125	2,783	3025402
075 KM 300	75	300	188	2,950	3025403
075 KM 400	75	400	250	3,120	3025404
075 KM 500	75	500	313	3,287	3025405
075 KM 600	75	600	376	3,457	3025406
100 KM 100	100	100	86	3,223	3025407
100 KM 200	100	200	174	3,393	3025408
100 KM 300	100	300	262	3,560	3025409
100 KM 400	100	400	349	3,730	3025410
100 KM 500	100	500	437	3,897	3025411
100 KM 600	100	600	525	4,067	3025412
125 KM 200	125	200	204	4,007	3025413
125 KM 300	125	300	307	4,174	3025414
125 KM 400	125	400	409	4,344	3025415
125 KM 500	125	500	512	4,511	3025416
125 KM 600	125	600	615	4,681	3025417
150 KM 200	150	200	273	4,592	3025418
150 KM 300	150	300	411	4,759	3025419
150 KM 400	150	400	548	4,929	3025420
150 KM 500	150	500	686	5,095	3025421
150 KM 600	150	600	824	5,265	3025422



■ There may be +/- differences in carriage values depending on steel plate tolerance and steel plate hardness value. Please immediately contact your customer representative for detailed information.

- **KM folding ladder is compatible with UKS size.**
- Standard Length 3000 mm. It can be lengthened to 6000 mm. if needed.
- **Please indicate order code in your orders.**
- Please contact us for special dimensions.
- Material weights may vary by ± 10%

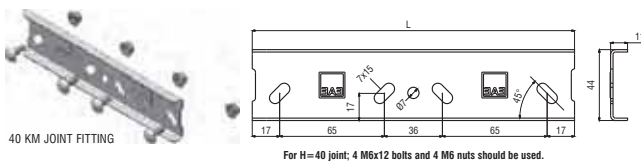
►► KM JOINT FITTING

Pre-galvanized (TS EN 10346 - TS EN 10143)

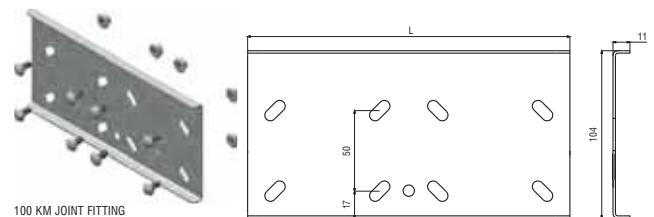
Description	H (mm)	L (mm)	T (mm)	Weight (kg./pc)	Order Code
40 KM JOINT FITTING	40	200	1,2	0,118	3114709
50 KM JOINT FITTING	50	200	1,2	0,136	3114710
60 KM JOINT FITTING	60	200	1,2	0,158	3114711
75 KM JOINT FITTING	75	210	1,2	0,180	3114712
100 KM JOINT FITTING	100	210	1,2	0,224	3114713
125 KM JOINT FITTING	125	192	1,2	0,270	3114714
150 KM JOINT FITTING	150	210	1,2	0,316	3114715



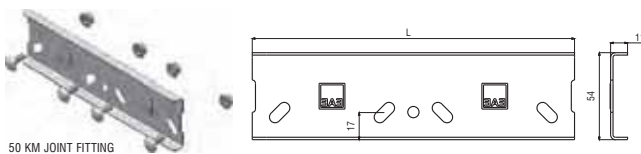
Joint Fitting Outward



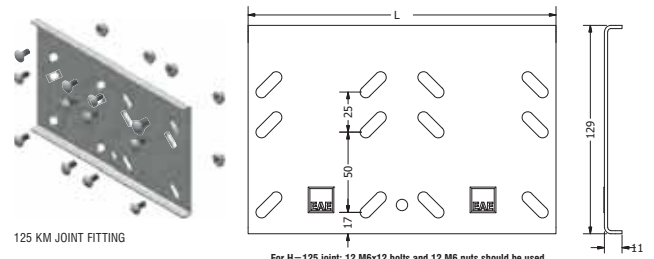
For H=40 joint; 4 M6x12 bolts and 4 M6 nuts should be used.



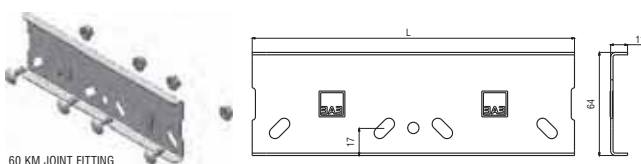
For H=100 joint; 8 M6x12 bolts and 8 M6 nuts should be used.



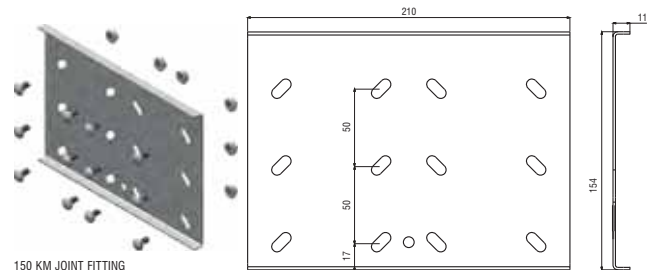
For H=50 joint; 4 M6x12 bolts and 4 M6 nuts should be used.



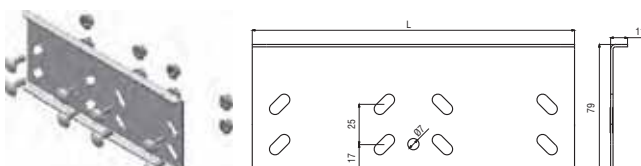
For H=125 joint; 12 M6x12 bolts and 12 M6 nuts should be used.



For H=60 joint; 4 M6x12 bolts and 4 M6 nuts should be used.



For H=150 joint; 12 M6x12 bolts and 12 M6 nuts should be used.



For H=75 joint; 8 M6x12 bolts and 8 M6 nuts should be used.

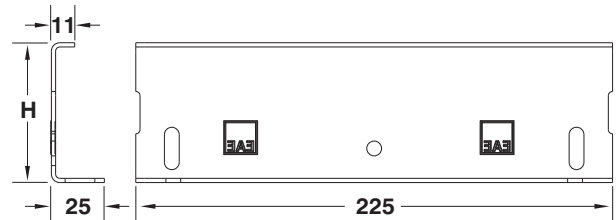
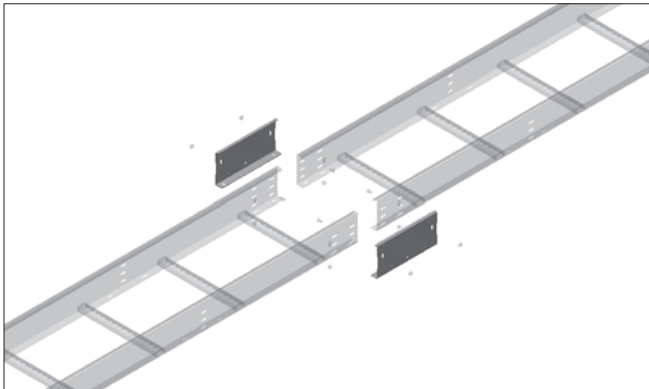
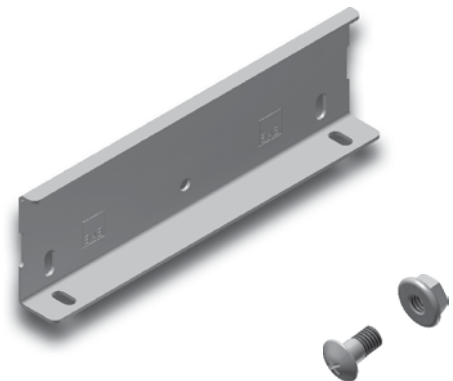
- Please contact us for special size.
- Please indicate order code in your orders.

- Recommended spacing for outward clamps is 2 metres
- Material weights may vary by $\pm 10\%$

►► **KM EXPANSION SET**

Pre-galvanized (TS EN 10346 - TS EN 10143)

Description	H (mm)	T (mm)	Weight (kg./set.)	Order Code
40 KM EXPANSION SET	40	2	0,516	3006610
50 KM EXPANSION SET	50	2	0,634	3048424
60 KM EXPANSION SET	60	2	0,656	3006611
75 KM EXPANSION SET	75	2	0,822	3125846
100 KM EXPANSION SET	100	2	0,998	3125847
125 KM EXPANSION SET	125	2	1,185	3125848
150 KM EXPANSION SET	150	2	1,372	3125849

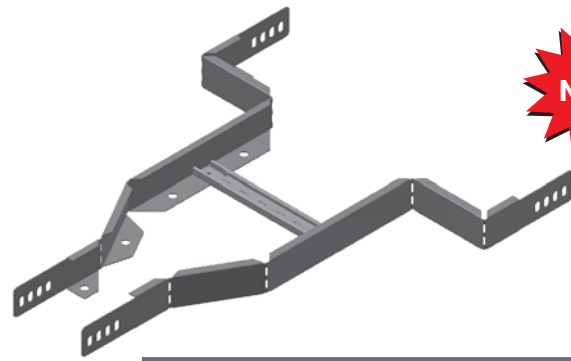


- Dilatation set allows for expansion upto 35mm.
- 40-50-60-75-100 Dilatation sets uses, 2 lots of dilatation joints, 8 pieces of special bolts and nuts.
125-150 Dilatation sets uses, 2 lots of dilatation joints, 12 pieces of special bolts and nuts.

►► KM REDUCTION MODULE

Pre-galvanized (TS EN 10346 - TS EN 10143)

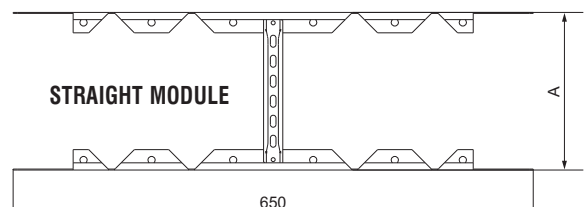
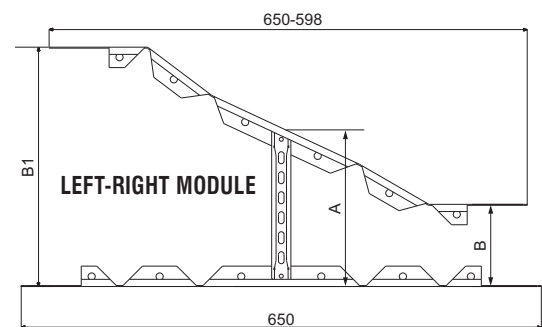
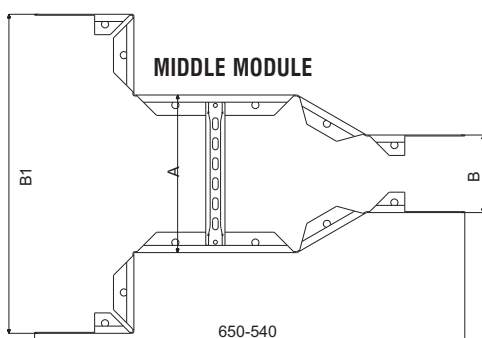
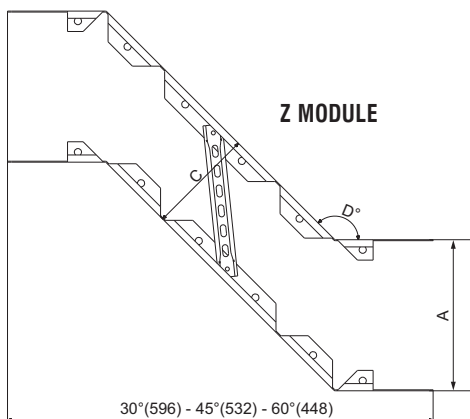
Description	A (mm)	Weight (kg/pc)	Order Code
040 KM 200 REDUCTION MODULE	200	0,975	3136537
040 KM 300 REDUCTION MODULE	300	1,003	3136538
040 KM 400 REDUCTION MODULE	400	1,035	3136539
040 KM 500 REDUCTION MODULE	500	1,064	3136540
040 KM 600 REDUCTION MODULE	600	1,092	3136541
050 KM 200 REDUCTION MODULE	200	1,073	3136542
050 KM 300 REDUCTION MODULE	300	1,104	3136543
050 KM 400 REDUCTION MODULE	400	1,139	3136544
050 KM 500 REDUCTION MODULE	500	1,170	3136545
050 KM 600 REDUCTION MODULE	600	1,201	3136546
060 KM 200 REDUCTION MODULE	200	1,180	3136547
060 KM 300 REDUCTION MODULE	300	1,214	3136548
060 KM 400 REDUCTION MODULE	400	1,254	3136549
060 KM 500 REDUCTION MODULE	500	1,287	3136550
060 KM 600 REDUCTION MODULE	600	1,321	3136551
075 KM 200 REDUCTION MODULE	200	1,305	3136552
075 KM 300 REDUCTION MODULE	300	1,342	3136553
075 KM 400 REDUCTION MODULE	400	1,386	3136554
075 KM 500 REDUCTION MODULE	500	1,423	3136555
075 KM 600 REDUCTION MODULE	600	1,461	3136556
100 KM 200 REDUCTION MODULE	200	1,727	3136557
100 KM 300 REDUCTION MODULE	300	1,777	3136558
100 KM 400 REDUCTION MODULE	400	1,835	3136559
100 KM 500 REDUCTION MODULE	500	1,884	3136560
100 KM 600 REDUCTION MODULE	600	1,934	3136561



MIDDLE REDUCTION MODULE									
A		A		A		A		A	
200		300		400		500		600	
B	B1	B	B1	B	B1	B	B1	B	B1
100	400	200	500	300	600	400	700	500	800
100	350	200	450	300	550	400	650	500	750
100	300	200	400	300	500	400	600	500	700
100	250	200	350	300	450	400	550	500	650
100	200	200	300	300	400	400	500	500	600

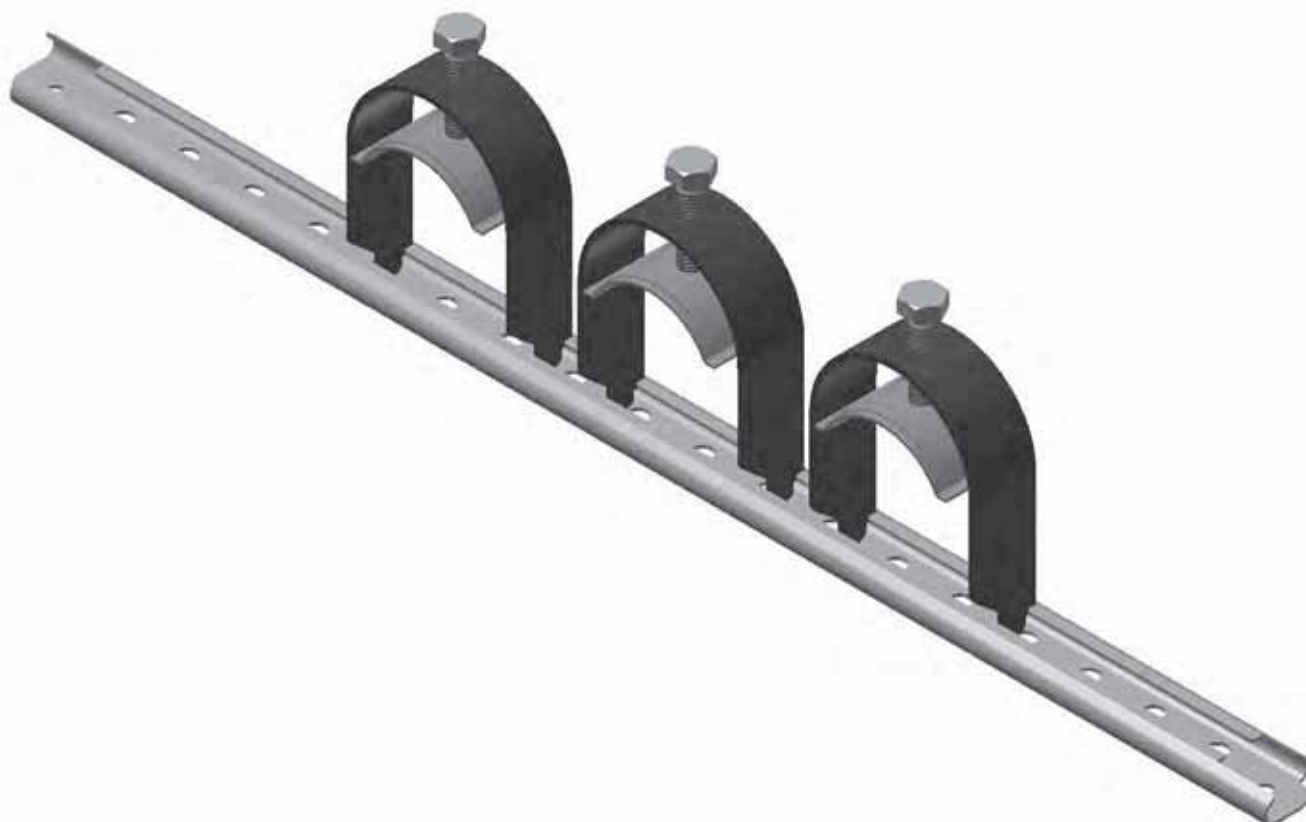
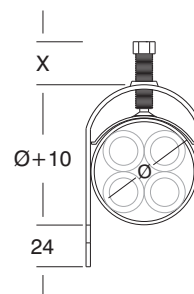
LEFT - RIGHT REDUCTION MODULE									
A		A		A		A		A	
200		300		400		500		600	
B	B1	B	B1	B	B1	B	B1	B	B1
100	300	200	400	300	500	400	600	500	700
100	250	200	350	300	450	400	550	500	650
100	200	200	300	300	400	400	500	500	600

Z REDUCTION MODULE									
A		A		A		A		A	
200		300		400		500		600	
D°	C	D°	C	D°	C	D°	C	D°	C
30	167	30	254	30	341	30	427	30	514
45	133	45	205	45	235	45	346	45	417
60	92	60	142	60	192	60	242	60	293



▶▶ BRA CABLE CLAMP

Description	Ø mm	x mm	Weight (kg/pc)	Order Code
KM 1-12 CABLE CLAMP	12	20	0,041	1008041
KM 1-16 CABLE CLAMP	16	20	0,046	1008042
KM 1-20 CABLE CLAMP	20	20	0,061	1008043
KM 1-24 CABLE CLAMP	24	20	0,065	1008044
KM 1-28 CABLE CLAMP	28	20	0,070	1008045
KM 1-32 CABLE CLAMP	32	20	0,075	1008046
KM 1-36 CABLE CLAMP	36	20	0,081	1008047
KM 1-40 CABLE CLAMP	40	30	0,087	1008048
KM 1-44 CABLE CLAMP	44	30	0,094	1008049
KM 1-48 CABLE CLAMP	48	30	0,099	1008050
KM 1-52 CABLE CLAMP	52	30	0,104	1008051
KM 1-56 CABLE CLAMP	56	30	0,109	1008052
KM 1-60 CABLE CLAMP	60	30	0,114	1008053
KM 1-64 CABLE CLAMP	64	30	0,120	1008054
KM 1-70 CABLE CLAMP	70	30	0,126	1008055
KM 1-76 CABLE CLAMP	76	30	0,132	1008056
KM 1-82 CABLE CLAMP	82	30	0,138	1008057
KM 1-88 CABLE CLAMP	88	30	0,145	1008058
KM 1-94 CABLE CLAMP	94	30	0,151	1008059
KM 1-100 CABLE CLAMP	100	30	0,159	1008060



■ Please indicate order code in your orders.

■ Please contact us for special size.

■ Material weights may vary by ± 10%

E-LINE TKS

TRUNKING SYSTEMS



Pre-galvanized
Hot Dip Galvanized
Trunking Systems



E-Line TKS

Trunking Cable
Tray and Modules

TKS-ID
Concave Module

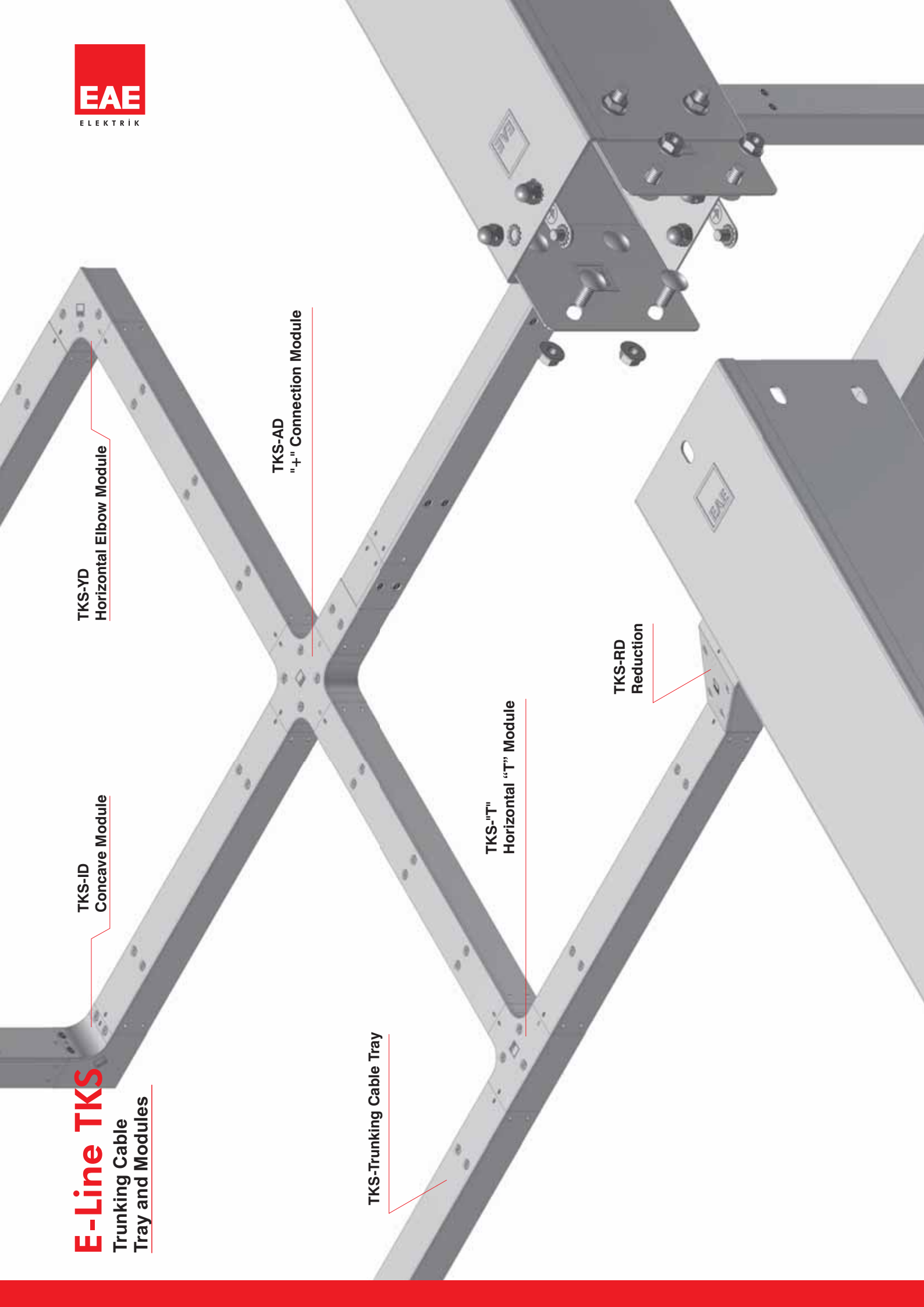
TKS-YD
Horizontal Elbow Module

TKS-AD
"+" Connection Module

TKS-Trunking Cable Tray

TKS-"T"
Horizontal "T" Module

TKS-RD
Reduction





CONTENTS

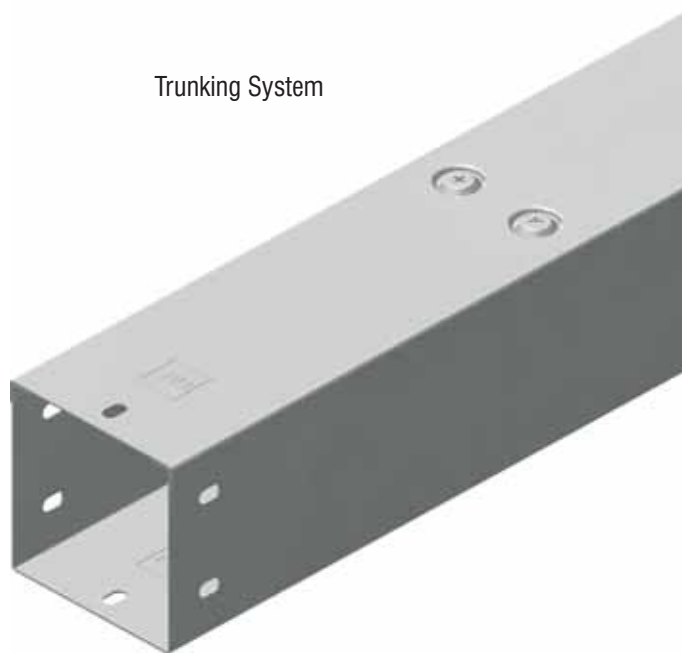
2	TKS Trunking System
3-10	TKS Trunking System Fitting Modules
11	TKS Socket Plate
12	TKS Trunking Accessories
13	TKS End Cover
14-15	TKS Trunking Support

TRUNKINGSYSTEMS

▶▶ TKS TRUNKING STRAIGHT LENGTH

Pre-galvanized (TS EN 10346 - TS EN 10143)

Description	H (mm)	A (mm)	T (mm)	Weight (kg./m.)	Order Code
050 TKS 050	50	50	1,2	2,279	3001967
050 TKS 075	50	75	1,2	2,754	3001969
075 TKS 075	75	75	1,2	3,224	3001971
075 TKS 100	75	100	1,2	3,612	3001973
100 TKS 100	100	100	1,2	4,168	3001975
100 TKS 150	100	150	1,2	5,109	3001977
100 TKS 200	100	200	1,5	7,528	3001979
150 TKS 150	150	150	1,5	7,478	3001981

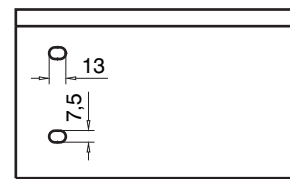
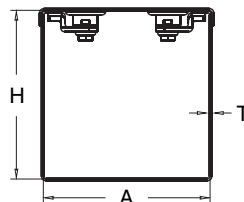


Trunking System

▶▶ TKS TRUNKING STRAIGHT LENGTH

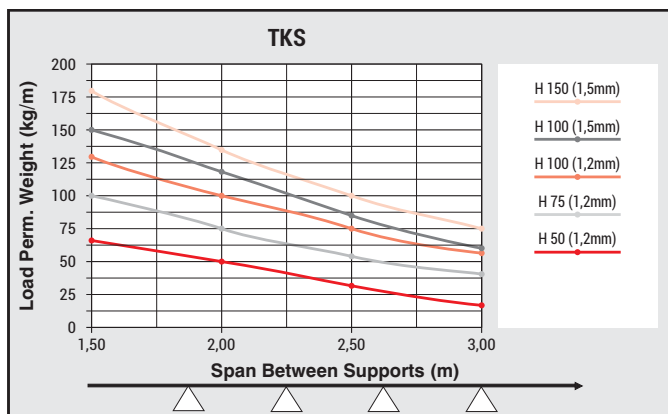
Hot Dip Galvanized After Fabrication (TS EN ISO 1461)

Description	H (mm)	A (mm)	T (mm)	Weight (kg./m.)	Order Code
050 TKS 050	50	50	1,2	2,504	3001966
050 TKS 075	50	75	1,2	3,026	3001968
075 TKS 075	75	75	1,2	3,543	3001970
075 TKS 100	75	100	1,2	3,970	3001972
100 TKS 100	100	100	1,2	4,581	3001974
100 TKS 150	100	150	1,2	5,616	3001976
100 TKS 200	100	200	1,5	8,277	3001978
150 TKS 150	150	150	1,5	8,222	3001980



H=050, H=075: single joint hole
 H=100 double joint holes
 H=150 triple joint holes

Sample Order:
 Height (H): 75 mm,
 Tray Width (A): 100 mm,
 Sheet Metal Thickness (T): 1,2 mm,
 Type of Coating (P): Pre-galvanized,
 Module Type: Trunking Cable Tray



■ There may be +/- differences in carriage values depending on steel plate tolerance and steel plate hardness value. Please immediately contact your customer representative for detailed information.

■ In case of requested product can be produced as stainless steel.

■ Please indicate order code in your orders.

■ Please contact us for special modules.

■ Material weights may vary by ± 10%

■ Standard length is 3000 mm.

Description Order Code
075 TKS 100 - 3001973



►► TKS HORIZONTAL ELBOW MODULE (90°) R=50

Pre-galvanized (TS EN 10346 - TS EN 10143)

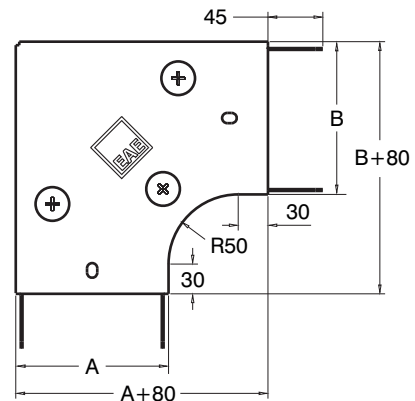
Description	H (mm)	AB (mm)	T (mm)	Weight (kg./pc.)	Order Code
050 TKS 050 YD	50	50	1,2	0,583	3001987
050 TKS 075 YD	50	75	1,2	0,795	3001989
075 TKS 075 YD	75	75	1,2	0,904	3001991
075 TKS 100 YD	75	100	1,2	1,089	3001993
100 TKS 100 YD	100	100	1,2	1,250	3001995
100 TKS 150 YD	100	150	1,2	1,745	3001997
100 TKS 200 YD	100	200	1,5	2,925	3001999
150 TKS 150 YD	150	150	1,5	2,633	3002001



►► TKS HORIZONTAL ELBOW MODULE (90°) R=50

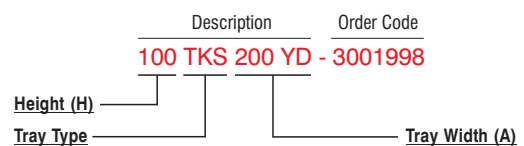
Hot Dip Galvanized After Fabrication (TS EN ISO 1461)

Description	H (mm)	AB (mm)	T (mm)	Weight (kg./pc.)	Order Code
050 TKS 050 YD	50	50	1,2	0,641	3001986
050 TKS 075 YD	50	75	1,2	0,875	3001988
075 TKS 075 YD	75	75	1,2	0,994	3001990
075 TKS 100 YD	75	100	1,2	1,198	3001992
100 TKS 100 YD	100	100	1,2	1,375	3001994
100 TKS 150 YD	100	150	1,2	1,920	3001996
100 TKS 200 YD	100	200	1,5	3,218	3001998
150 TKS 150 YD	150	150	1,5	2,896	3002000



H=050, H=075: single joint hole
 H=100 double joint holes
 H=150 triple joint holes

Sample Order:
 Height (H): 100 mm,
 Tray Width (A): 200 mm,
 Sheet Metal Thickness (T): 1,5 mm,
 Type of Coating (B): Hot Dip Galvanized
 Module Type: Horizontal Elbow Module (90°)



- In case of requested product can be produced as stainless steel.
- Please indicate order code in your orders.
- Please contact us for special modules.
- Material weights may vary by ± 10%



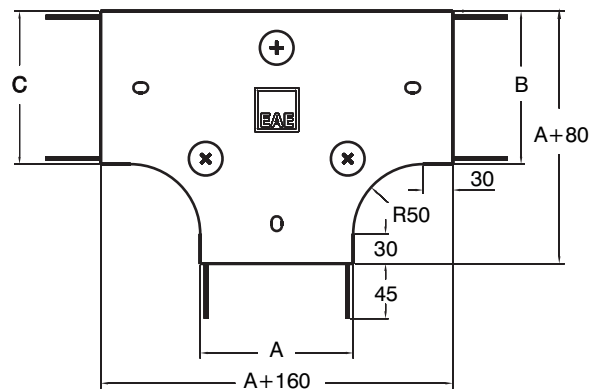
►► TKS "T" MODULE (90°) **R=50**
Pre-galvanized (TS EN 10346 - TS EN 10143)

Description	H (mm)	ABC (mm)	T (mm)	Weight (kg/pc)	Order Code
050 TKS 050 YT	50	50	1,2	0,775	3002007
050 TKS 075 YT	50	75	1,2	0,951	3002009
075 TKS 075 YT	75	75	1,2	1,135	3002011
075 TKS 100 YT	75	100	1,2	1,347	3002013
100 TKS 100 YT	100	100	1,2	1,534	3002015
100 TKS 150 YT	100	150	1,2	2,057	3002017
100 TKS 200 YT	100	200	1,5	3,315	3002019
150 TKS 150 YT	150	150	1,5	3,041	3002021



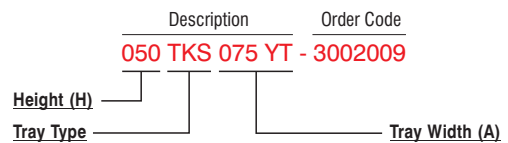
►► TKS "T" MODULE (90°) **R=50**
Hot Dip Galvanized After Fabrication (TS EN ISO 1461)

Description	H (mm)	ABC (mm)	T (mm)	Weight (kg/pc)	Order Code
050 TKS 050 YT	50	50	1,2	0,853	3002006
050 TKS 075 YT	50	75	1,2	1,046	3002008
075 TKS 075 YT	75	75	1,2	1,249	3002010
075 TKS 100 YT	75	100	1,2	1,482	3002012
100 TKS 100 YT	100	100	1,2	1,687	3002014
100 TKS 150 YT	100	150	1,2	2,263	3002016
100 TKS 200 YT	100	200	1,5	3,647	3002018
150 TKS 150 YT	150	150	1,5	3,345	3002020



H=050, H=075 single line perforated
H=100 double line perforated
H=150 triple line perforated

Sample Order:
Height (H): 50 mm,
Tray Width (A): 75 mm,
Sheet Metal Thickness (T): 1,2 mm,
Type of Coating (P): Pre-galvanized,
Module Type: "T" Module 90°

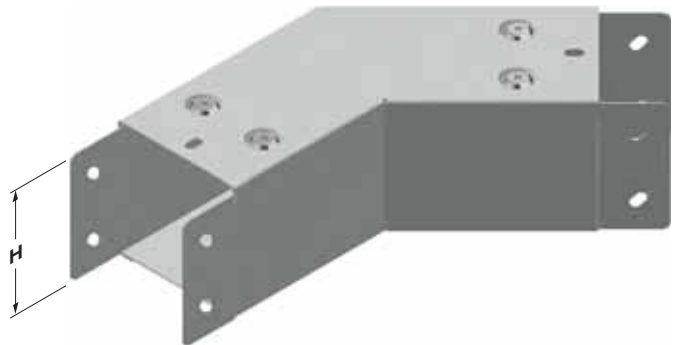


- In case of requested product can be produced as stainless steel.
- Please indicate order code in your orders.
- Please contact us for special modules.
- Material weights may vary by ± 10%

►► **TKS HORIZONTAL ELBOW MODULE (45°) R=50**

Pre-galvanized (TS EN 10346 - TS EN 10143)

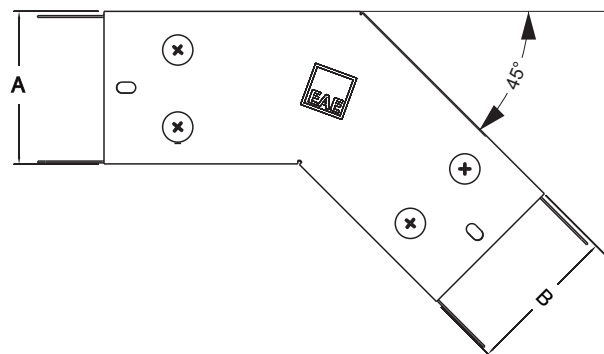
Description	H (mm)	ABC (mm)	T (mm)	Weight (kg./pc.)	Order Code
050 TKS 050 YD	50	50	1,2	0,773	3110267
050 TKS 075 YD	50	75	1,2	0,939	3110268
075 TKS 075 YD	75	75	1,2	1,122	3110269
075 TKS 100 YD	75	100	1,2	1,303	3110270
100 TKS 100 YD	100	100	1,2	1,488	3110271
100 TKS 150 YD	100	150	1,2	1,867	3110272
100 TKS 200 YD	100	200	1,5	2,565	3110273
150 TKS 150 YD	150	150	1,5	2,469	3110274



►► **TKS HORIZONTAL ELBOW MODULE (45°) R=50**

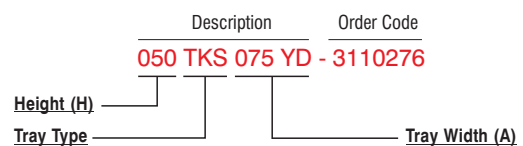
Hot Dip Galvanized After Fabrication (TS EN ISO 1461)

Description	H (mm)	ABC (mm)	T (mm)	Weight (kg./pc.)	Order Code
050 TKS 050 YD	50	50	1,2	0,850	3110275
050 TKS 075 YD	50	75	1,2	1,033	3110276
075 TKS 075 YD	75	75	1,2	1,234	3110277
075 TKS 100 YD	75	100	1,2	1,433	3110278
100 TKS 100 YD	100	100	1,2	1,637	3110279
100 TKS 150 YD	100	150	1,2	2,054	3110280
100 TKS 200 YD	100	200	1,5	2,822	3110281
150 TKS 150 YD	150	150	1,5	2,716	3110282



H=050, H=075: single joint hole
 H=100 double joint holes
 H=150 triple joint holes

Sample Order:
 Height (H): 50 mm,
 Tray Width (A): 75 mm,
 Sheet Metal Thickness (T): 1,2 mm,
 Type of Coating (S): Hot Dip Galvanized
 Module Type: Horizontal Elbow Module

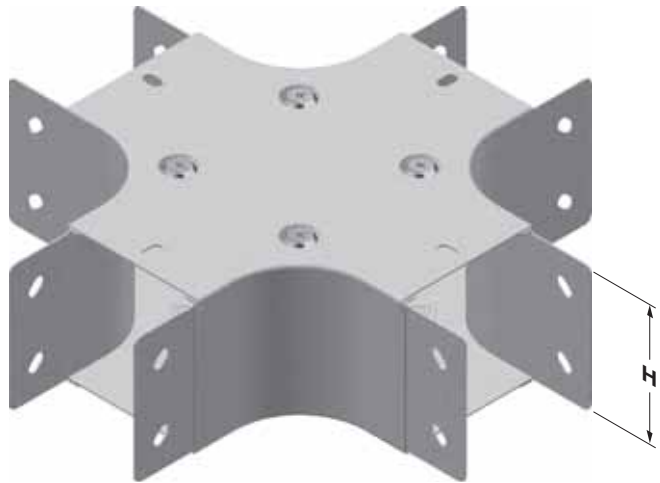


- In case of requested product can be produced as stainless steel.
- Please indicate order code in your orders.
- Please contact us for special modules.
- Material weights may vary by ± 10%

►► TKS "+" CONNECTION MODULE R=50

Pre-galvanized (TS EN 10346 - TS EN 10143)

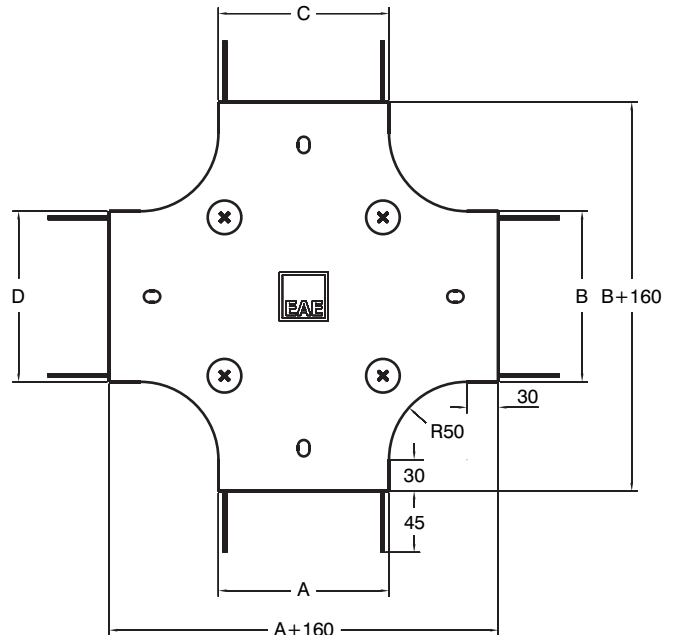
Description	H (mm)	ABCD (mm)	T (mm)	Weight (kg/pc)	Order Code
050 TKS 050 AD	50	50	1,2	0,945	3002027
050 TKS 075 AD	50	75	1,2	1,138	3002029
075 TKS 075 AD	75	75	1,2	1,354	3002031
075 TKS 100 AD	75	100	1,2	1,588	3002033
100 TKS 100 AD	100	100	1,2	1,790	3002035
100 TKS 150 AD	100	150	1,2	2,900	3002037
100 TKS 200 AD	100	200	1,5	3,676	3002039
150 TKS 150 AD	150	150	1,5	3,410	3002041



►► TKS "+" CONNECTION MODULE R=50

Hot Dip Galvanized After Fabrication (TS EN ISO 1461)

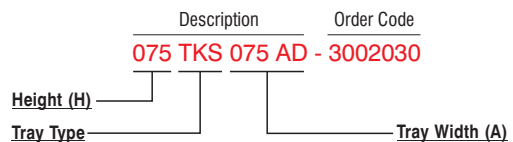
Description	H (mm)	ABCD (mm)	T (mm)	Weight (kg/pc)	Order Code
050 TKS 050 AD	50	50	1,2	1,040	3002026
050 TKS 075 AD	50	75	1,2	1,252	3002028
075 TKS 075 AD	75	75	1,2	1,489	3002030
075 TKS 100 AD	75	100	1,2	1,747	3002032
100 TKS 100 AD	100	100	1,2	1,969	3002034
100 TKS 150 AD	100	150	1,2	3,190	3002036
100 TKS 200 AD	100	200	1,5	4,044	3002038
150 TKS 150 AD	150	150	1,5	3,751	3002040



H=050, H=075: single joint hole
 H=100 double joint holes
 H=150 triple joint holes

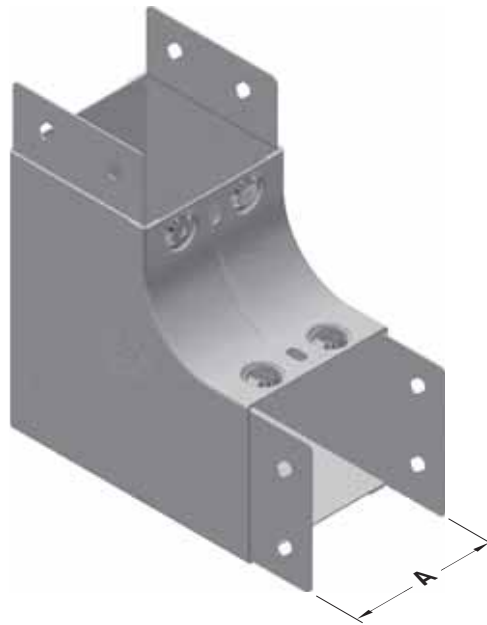
Sample Order:
 Height (H): 75 mm,
 Tray Width (A): 75 mm,
 Sheet Metal Thickness (T): 1,2 mm,
 Type of Coating (S): Hot Dip Galvanized,
 Module Type: "+" Connection Module

- In case of requested product can be produced as stainless steel.
- Please indicate order code in your orders.
- Please contact us for special modules.
- Material weights may vary by ± 10%



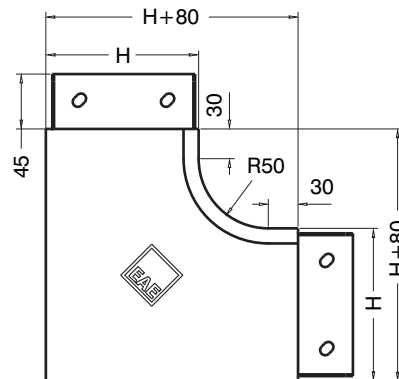
►► **TKS CONCAVE MODULE (90°) R=50**
Pre-galvanized (TS EN 10346 - TS EN 10143)

Description	H (mm)	A (mm)	T (mm)	Weight (kg/pc)	Order Code
050 TKS 050 ID	50	50	1,2	0,554	3002047
050 TKS 075 ID	50	75	1,2	0,641	3002049
075 TKS 075 ID	75	75	1,2	0,861	3002051
075 TKS 100 ID	75	100	1,2	0,914	3002053
100 TKS 100 ID	100	100	1,2	1,214	3002055
100 TKS 150 ID	100	150	1,2	1,556	3002057
100 TKS 200 ID	100	200	1,5	2,069	3002059
150 TKS 150 ID	150	150	1,5	2,209	3002061



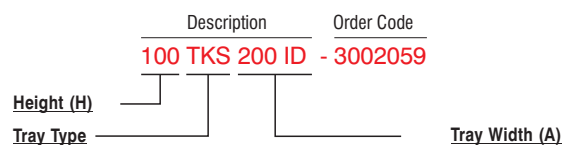
►► **TKS CONCAVE MODULE (90°) R=50 ***
Hot Dip Galvanized After Fabrication (TS EN ISO 1461)

Description	H (mm)	A (mm)	T (mm)	Weight (kg/pc)	Order Code
050 TKS 050 ID	50	50	1,2	0,609	3002046
050 TKS 075 ID	50	75	1,2	0,705	3002048
075 TKS 075 ID	75	75	1,2	0,947	3002050
075 TKS 100 ID	75	100	1,2	1,005	3002052
100 TKS 100 ID	100	100	1,2	1,335	3002054
100 TKS 150 ID	100	150	1,2	1,712	3002056
100 TKS 200 ID	100	200	1,5	2,276	3002058
150 TKS 150 ID	150	150	1,5	2,430	3002060



H=050, H=075: single joint hole
H=100 double joint holes
H=150 triple joint holes

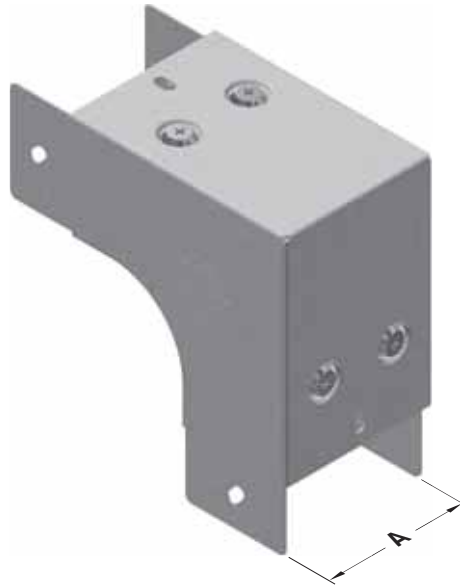
Sample Order:
Height (H): 100 mm,
Tray Width (A): 200 mm,
Sheet Metal Thickness (T): 1,5 mm,
Type of Coating (P): Pre-galvanized,
Module Type: Concave Module 90°



- In case of requested product can be produced as stainless steel.
- Please indicate order code in your orders.
- Please contact us for special modules.
- Material weights may vary by ± 10%

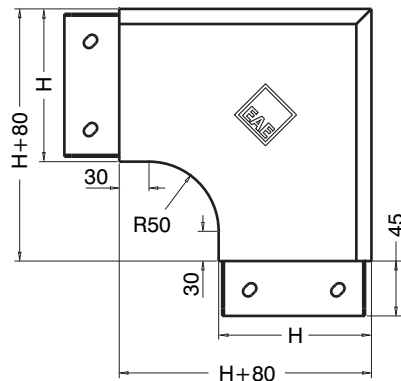
►► **TKS CONVEX MODULE (90°) R=50**
Pre-galvanized (TS EN 10346 - TS EN 10143)

Description	H (mm)	A (mm)	T (mm)	Weight (kg/pc)	Order Code
050 TKS 050 DD	50	50	1,2	0,571	3002067
050 TKS 075 DD	50	75	1,2	0,662	3002069
075 TKS 075 DD	75	75	1,2	0,889	3002071
075 TKS 100 DD	75	100	1,2	0,996	3002073
100 TKS 100 DD	100	100	1,2	1,254	3002075
100 TKS 150 DD	100	150	1,2	1,848	3002077
100 TKS 200 DD	100	200	1,5	2,130	3002079
150 TKS 150 DD	150	150	1,5	2,655	3002081



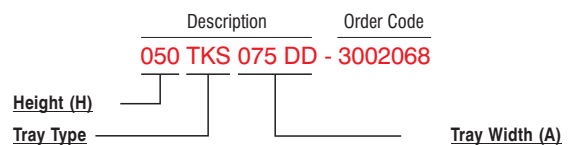
►► **TKS CONVEX MODULE (90°) R=50**
Hot Dip Galvanized After Fabrication (TS EN ISO 1461)

Description	H (mm)	A (mm)	T (mm)	Weight (kg/pc)	Order Code
050 TKS 050 DD	50	50	1,2	0,628	3002066
050 TKS 075 DD	50	75	1,2	0,728	3002068
075 TKS 075 DD	75	75	1,2	0,978	3002070
075 TKS 100 DD	75	100	1,2	1,096	3002072
100 TKS 100 DD	100	100	1,2	1,379	3002074
100 TKS 150 DD	100	150	1,2	2,033	3002076
100 TKS 200 DD	100	200	1,5	2,343	3002078
150 TKS 150 DD	150	150	1,5	2,921	3002080



H=050, H=075: single joint hole
H=100 double joint holes
H=150 triple joint holes

Sample Order:
Height (H): 200 mm,
Tray Width (A): 200 mm,
Sheet Metal Thickness (T): 1,2 mm,
Type of Coating (S): Hot Dip Galvanized,
Module Type: Convex Module 90°

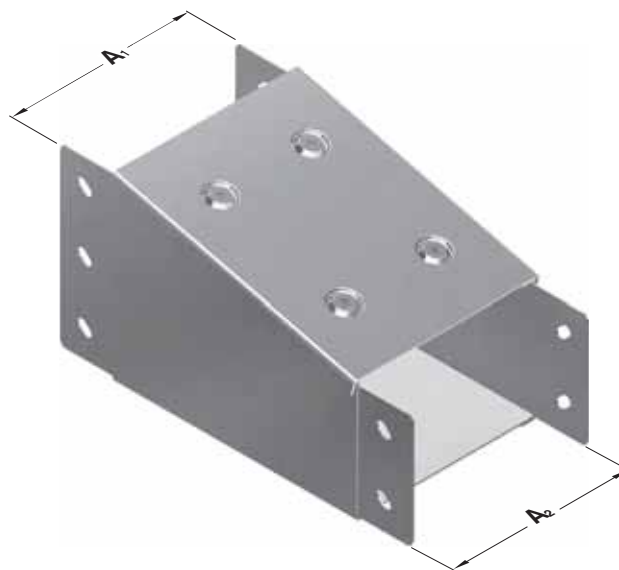


- In case of requested product can be produced as stainless steel.
- Please indicate order code in your orders.
- Please contact us for special modules.
- Material weights may vary by ± 10%

►► **TKS REDUCTION**

Pre-galvanized (TS EN 10346 - TS EN 10143)

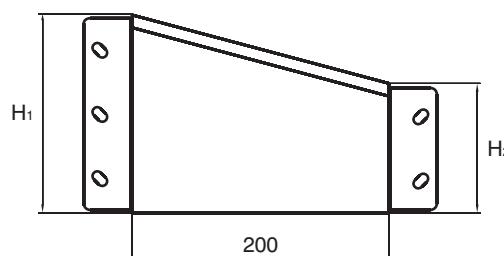
Description	H ₁ A ₁ (mm)	H ₂ A ₂ (mm)	T (mm)	Weight (kg/pc)	Order Code
TKS RD 1	50x75	50x50	1,2	0,611	3002151
TKS RD 2	75x75	50x75	1,2	0,715	3002149
TKS RD 3	75x100	50x75	1,2	0,766	3002147
TKS RD 4	75x100	75x75	1,2	0,847	3002145
TKS RD 5	100x100	75x75	1,2	0,916	3002143
TKS RD 6	100x100	75x100	1,2	0,963	3002141
TKS RD 7	100x150	75x100	1,2	1,058	3002139
TKS RD 8	100x150	100x100	1,2	1,124	3002137
TKS RD 9	100x200	100x100	1,5	1,227	3002135
TKS RD 10	100x200	100x150	1,5	1,634	3002133
TKS RD 11	150x150	100x150	1,5	1,781	3002131
TKS RD 12	150x150	100x200	1,5	1,802	3002129



►► **TKS REDUCTION ***

Hot Dip Galvanized After Fabrication (TS EN ISO 1461)

Description	H ₁ A ₁ (mm)	H ₂ A ₂ (mm)	T (mm)	Weight (kg/pc)	Order Code
TKS RD 1	50x75	50x50	1,2	0,672	3002150
TKS RD 2	75x75	50x75	1,2	0,787	3002148
TKS RD 3	75x100	50x75	1,2	0,843	3002146
TKS RD 4	75x100	75x75	1,2	0,932	3002144
TKS RD 5	100x100	75x75	1,2	1,008	3002142
TKS RD 6	100x100	75x100	1,2	1,059	3002140
TKS RD 7	100x150	75x100	1,2	1,164	3002138
TKS RD 8	100x150	100x100	1,2	1,236	3002136
TKS RD 9	100x200	100x100	1,5	1,350	3002134
TKS RD 10	100x200	100x150	1,5	1,797	3002132
TKS RD 11	150x150	100x150	1,5	1,959	3002130
TKS RD 12	150x150	100x200	1,5	1,982	3002128



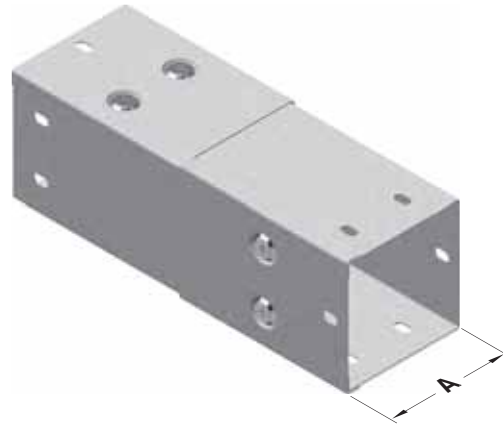
- In case of requested product can be produced as stainless steel.
- Please indicate order code in your orders.
- Please contact us for special modules.
- Material weights may vary by ± 10%



►► **TKS CHANGE FACE RIGHT**

Pre-galvanized (TS EN 10346 - TS EN 10143)

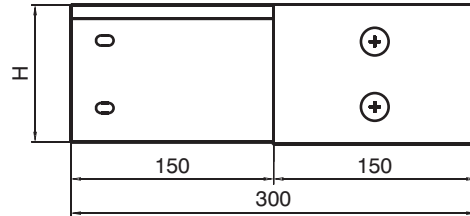
Description	H (mm)	A (mm)	T (mm)	Weight (kg/pc)	Order Code
050 TKS 050 YDM	50	50	1,2	0,666	3002153
075 TKS 075 YDM	75	75	1,2	0,960	3002155
100 TKS 100 YDM	100	100	1,2	1,246	3002157
150 TKS 150 YDM	150	150	1,5	2,224	3002159



►► **TKS CHANGE FACE RIGHT**

Hot Dip Galvanized After Fabrication (TS EN ISO 1461)

Description	H (mm)	A (mm)	T (mm)	Weight (kg/pc)	Order Code
050 TKS 050 YDM	50	50	1,2	0,733	3002152
075 TKS 075 YDM	75	75	1,2	1,056	3002154
100 TKS 100 YDM	100	100	1,2	1,371	3002156
150 TKS 150 YDM	150	150	1,5	2,446	3002158

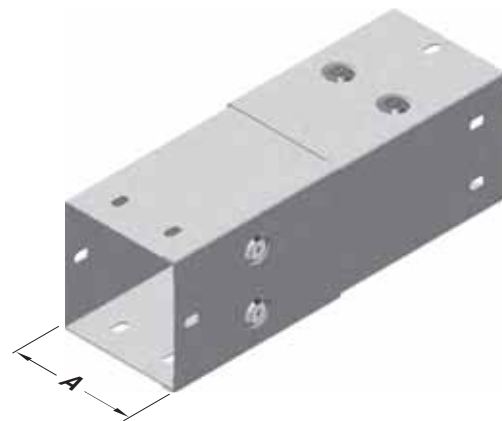


H=050, H=075: single joint hole
 H=100 double joint holes
 H=150 triple joint holes

►► **TKS CHANGE FACE LEFT**

Pre-galvanized (TS EN 10346 - TS EN 10143)

Description	H (mm)	A (mm)	T (mm)	Weight (kg/pc)	Order Code
050 TKS 050 YDM	50	50	1,2	0,706	3002163
075 TKS 075 YDM	75	75	1,2	1,009	3002165
100 TKS 100 YDM	100	100	1,2	1,299	3002167
150 TKS 150 YDM	150	150	1,5	1,850	3002169



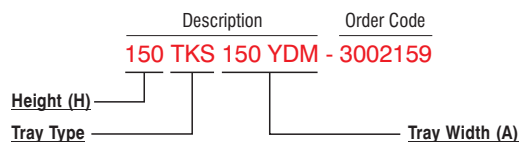
►► **TKS CHANGE FACE LEFT ***

Hot Dip Galvanized After Fabrication (TS EN ISO 1461)

Description	H (mm)	A (mm)	T (mm)	Weight (kg/pc)	Order Code
050 TKS 050 YDM	50	50	1,2	0,772	3002162
075 TKS 075 YDM	75	75	1,2	1,104	3002164
100 TKS 100 YDM	100	100	1,2	1,422	3002166
150 TKS 150 YDM	150	150	1,5	2,028	3002168

Sample Order:
 Height (H): 150 mm,
 Tray Width (A): 150 mm,
 Sheet Metal Thickness (T): 1,5 mm,
 Type of Coating (P): Pre-galvanized,
 Module Type: Change Face Right And Left

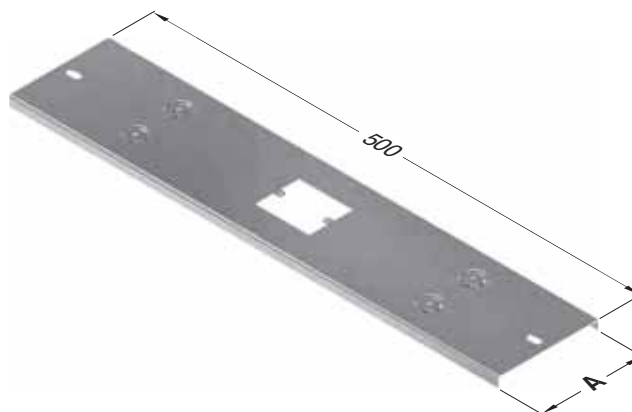
- In case of requested product can be produced as stainless steel.
- Please indicate order code in your orders.
- Please contact us for special modules.
- Material weights may vary by ± 10%



►► **TKS SOCKET PLATE**

Pre-galvanized (TS EN 10346 - TS EN 10143)

Description	A (mm)	T (mm)	Weight (kg/pc)	Order Code
TKS 050 PP	50	1,2	0,348	3002173
TKS 075 PP	75	1,2	0,477	3002175
TKS 100 PP	100	1,2	0,606	3002177
TKS 150 PP	150	1,5	0,842	3002179



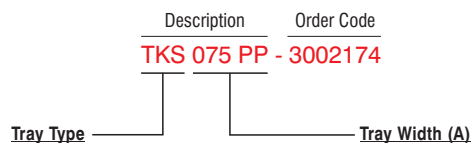
►► **TKS SOCKET PLATE ***

Hot Dip Galvanized After Fabrication (TS EN ISO 1461)

Description	A (mm)	T (mm)	Weight (kg/pc)	Order Code
TKS 050 PP	50	1,2	0,383	3002172
TKS 075 PP	75	1,2	0,525	3002174
TKS 100 PP	100	1,2	0,667	3002176
TKS 150 PP	150	1,5	0,926	3002178

Sample Order:

Tray Width (A): 75 mm,
 Sheet Metal Thickness (T): 1,2 mm,
 Type of Coating (S): Hot Dip Galvanized,
 Module Type: Socket Plate



- In case of requested product can be produced as stainless steel.
- Please indicate order code in your orders.
- Please contact us for special modules.
- Material weights may vary by ± 10%

►► **TKS EARTHING LINK**

Copper (EN 1652)

Description	T (mm)	Weight (kg./set.)	Order Code
TKS EARTH LINE	1	0,022	3001730



►► **TKS PULL-OFF DOWEL**

Pre-galvanized (TS EN 10346 - TS EN 10143)

Description	Weight (kg./pc.)	Order Code
PULL-OFF DOWEL JACKETED M6	0,033	5000007



►► **TKS CABLE TRUNKING JOINT SET**

Pre-galvanized (TS EN 10346 - TS EN 10143)

Description	Weight (kg./set.)	Order Code
JOINT SET M6x12 BOLT&NUT	0,009	1004314



►► **TKS JOINT FITTING**

Pre-galvanized (TS EN 10346 - TS EN 10143)

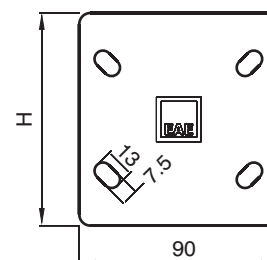
Description	H (mm)	T (mm)	Weight (kg./pc.)	Order Code
050 TKS JOINT FITTING	50	1,2	0,036	3002087
075 TKS JOINT FITTING	75	1,2	0,058	3002089
100 TKS JOINT FITTING	100	1,2	0,077	3002091
150 TKS JOINT FITTING	150	1,2	0,177	3002093



►► **TKS JOINT FITTING**

Hot Dip Galvanized After Fabrication (TS EN ISO 1461)

Description	H (mm)	T (mm)	Weight (kg./pc.)	Order Code
050 TKS JOINT FITTING	50	1,2	0,040	3002086
075 TKS JOINT FITTING	75	1,2	0,064	3002088
100 TKS JOINT FITTING	100	1,2	0,085	3002090
150 TKS JOINT FITTING	150	1,2	0,195	3002092



■ In case of requested product can be produced as stainless steel.

■ Please indicate order code in your orders.

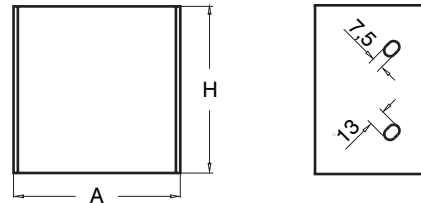
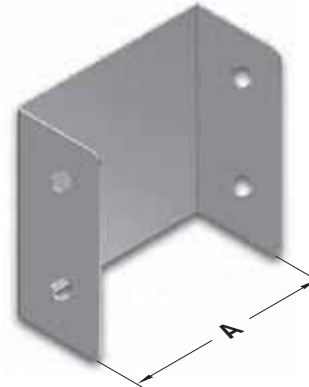
■ Please contact us for special size.

■ Material weights may vary by ± 10%

►► TKS BLIND END

Pre-galvanized (TS EN 10346 - TS EN 10143)

Description	H (mm)	A (mm)	T (mm)	Weight (kg/pc)	Order Code
050 TKS 050 SE	50	50	1,2	0,053	3002097
050 TKS 075 SE	50	75	1,2	0,064	3002099
075 TKS 075 SE	75	75	1,2	0,101	3002101
075 TKS 100 SE	75	100	1,2	0,117	3002103
100 TKS 100 SE	100	100	1,2	0,159	3002105
100 TKS 150 SE	100	150	1,2	0,203	3002107
100 TKS 200 SE	100	200	1,5	0,308	3002109
150 TKS 150 SE	150	150	1,5	0,387	3002111



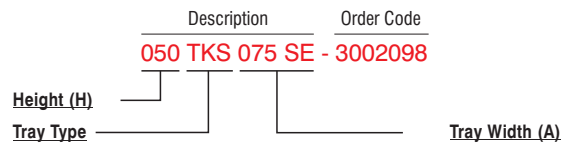
►► TKS BLIND END

Hot Dip Galvanized After Fabrication (TS EN ISO 1461)

Description	H (mm)	A (mm)	T (mm)	Weight (kg/pc)	Order Code
050 TKS 050 SE	50	50	1,2	0,058	3002096
050 TKS 075 SE	50	75	1,2	0,070	3002098
075 TKS 075 SE	75	75	1,2	0,111	3002100
075 TKS 100 SE	75	100	1,2	0,129	3002102
100 TKS 100 SE	100	100	1,2	0,175	3002104
100 TKS 150 SE	100	150	1,2	0,223	3002106
100 TKS 200 SE	100	200	1,5	0,339	3002108
150 TKS 150 SE	150	150	1,5	0,426	3002110

H=050, H=075: single joint hole
 H=100 double joint holes
 H=150 triple joint holes

Sample Order:
 Height (H): 50 mm,
 Tray Width (A): 75 mm,
 Sheet Metal Thickness (T): 1,2 mm,
 Type of Coating (S): Hot Dip Galvanized,
 Module Type: End Cap

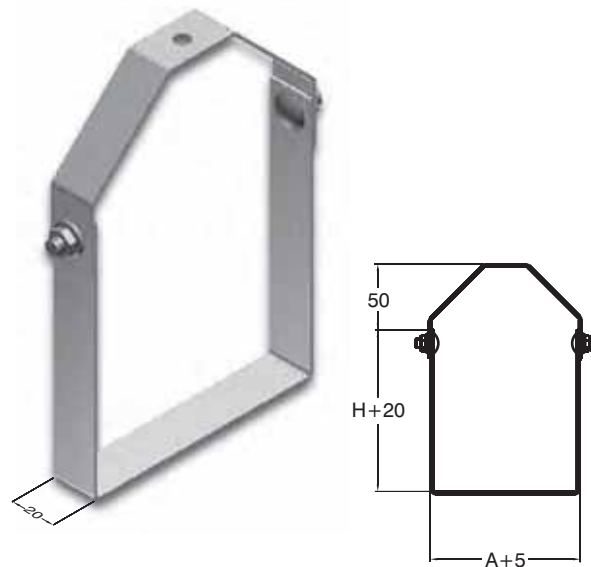


- In case of requested product can be produced as stainless steel.
- Please indicate order code in your orders.
- Please contact us for special size.
- Material weights may vary by ± 10%

►► **TKS FIXING ELEMENTS**

Pre-galvanized (TS EN 10346 - TS EN 10143)

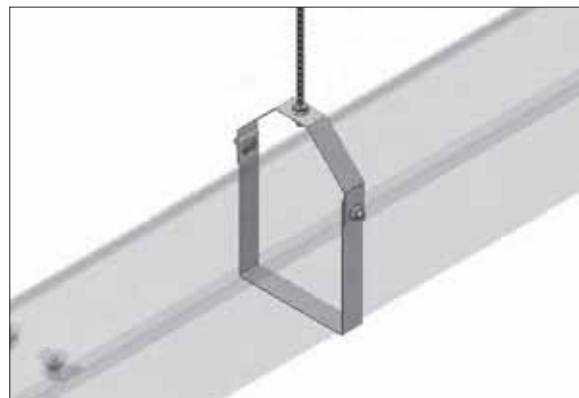
Description	H (mm)	A (mm)	T (mm)	Weight (kg/pc)	Order Code
050 TKS 050 FIXING	70	55	1,5	0,095	3002184
050 TKS 075 FIXING	70	80	1,5	0,103	3002186
075 TKS 075 FIXING	95	80	1,5	0,115	3002188
075 TKS 100 FIXING	95	105	1,5	0,124	3002190
100 TKS 100 FIXING	120	105	1,5	0,136	3002192
100 TKS 150 FIXING	120	155	1,5	0,157	3002194
100 TKS 200 FIXING	120	205	1,5	0,170	3002196
150 TKS 150 FIXING	170	155	1,5	0,180	3002258



►► **TKS FIXING ELEMENTS**

Hot Dip Galvanized After Fabrication (TS EN ISO 1461)

Description	H (mm)	A (mm)	T (mm)	Weight (kg/pc)	Order Code
050 TKS 050 FIXING	70	55	1,5	0,104	3002183
050 TKS 075 FIXING	70	80	1,5	0,113	3002185
075 TKS 075 FIXING	95	80	1,5	0,127	3002187
075 TKS 100 FIXING	95	105	1,5	0,136	3002189
100 TKS 100 FIXING	120	105	1,5	0,150	3002191
100 TKS 150 FIXING	120	155	1,5	0,173	3002193
100 TKS 200 FIXING	120	205	1,5	0,187	3002195
150 TKS 150 FIXING	170	155	1,5	0,198	3002257



■ In case of requested product can be produced as stainless steel.

■ Please indicate order code in your orders.

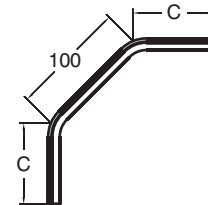
■ Please contact us for special size.

■ Material weights may vary by ± 10%

►► **TKS FIXING ELEMENTS 135°**

Pre-galvanized (TS EN 10346 - TS EN 10143)

Description	A (mm)	C (mm)	T (mm)	Weight (kg/pc)	Order Code
TKS 050 FIXING 135°	50	45	2	0,168	3002198
TKS 075 FIXING 135°	75	60	2	0,229	3002200
TKS 100 FIXING 135°	100	70	2	0,282	3002202
TKS 150 FIXING 135°	150	95	2	0,396	3002204



►► **TKS FIXING ELEMENTS 135°**

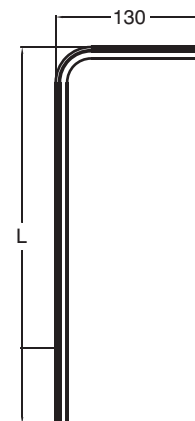
Hot Dip Galvanized After Fabrication (TS EN ISO 1461)

Description	A (mm)	C (mm)	T (mm)	Weight (kg/pc)	Order Code
TKS 050 FIXING 135°	50	45	2	0,185	3002197
TKS 075 FIXING 135°	75	60	2	0,252	3002199
TKS 100 FIXING 135°	100	70	2	0,310	3002201
TKS 150 FIXING 135°	150	95	2	0,436	3002203

►► **TKS FIXING ELEMENTS L**

Pre-galvanized (TS EN 10346 - TS EN 10143)

Description	L (mm)	T (mm)	Weight (kg/pc)	Order Code
TKS 050 FIXING L	50	2	0,186	3002248
TKS 075 FIXING L	75	2	0,215	3002250
TKS 100 FIXING L	100	2	0,243	3002252
TKS 150 FIXING L	150	2	0,300	3002254



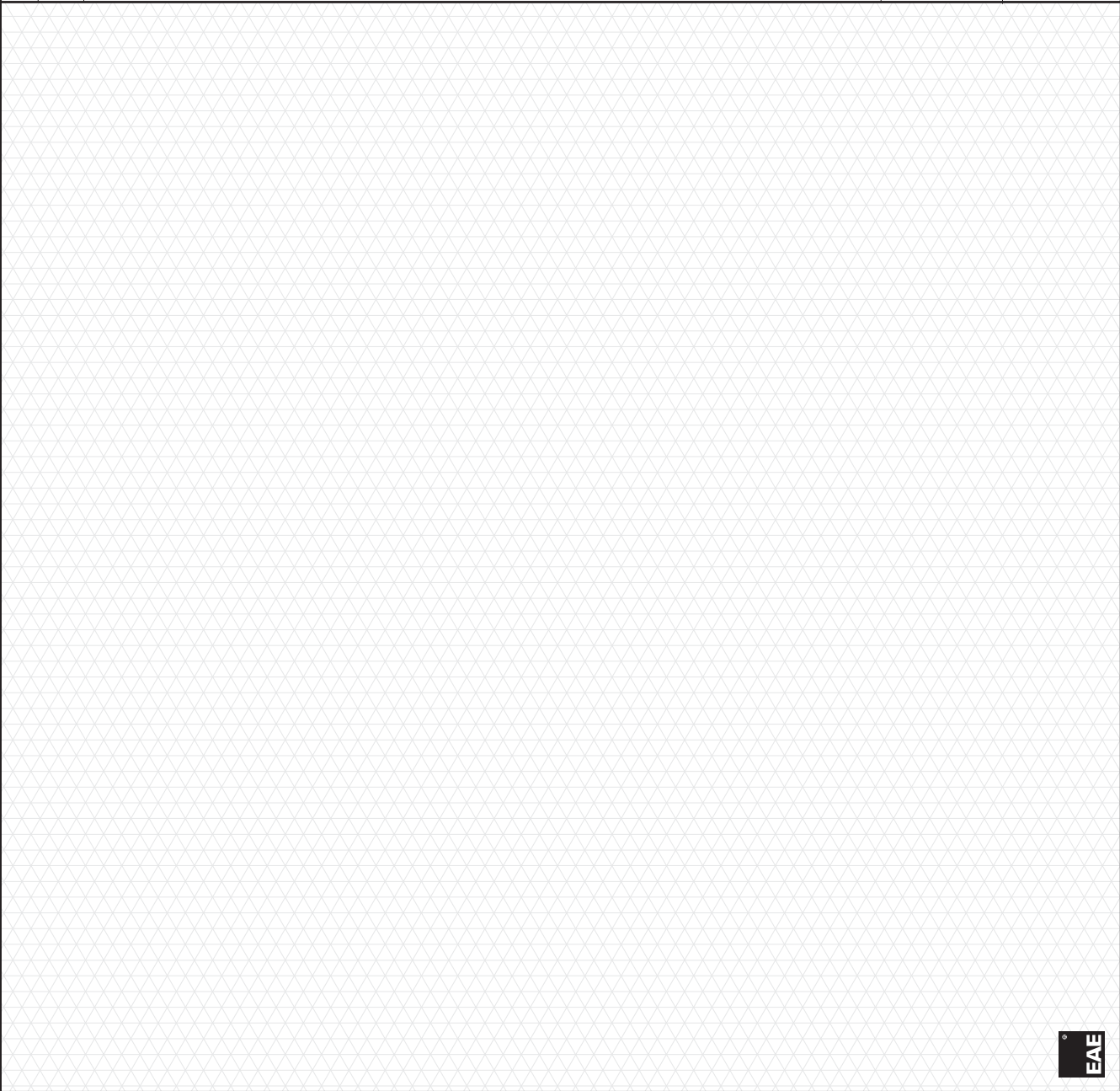
►► **TKS FIXING ELEMENTS L**

Hot Dip Galvanized After Fabrication (TS EN ISO 1461)

Description	L (mm)	T (mm)	Weight (kg/pc)	Order Code
TKS 050 FIXING L	50	2	0,205	3002247
TKS 075 FIXING L	75	2	0,237	3002249
TKS 100 FIXING L	100	2	0,267	3002251
TKS 150 FIXING L	150	2	0,330	3002253

- In case of requested product can be produced as stainless steel.
- Please indicate order code in your orders.
- Please contact us for special modules.
- Material weights may vary by ± 10%

▶▶ **PROJECT DESIGN FORM**

Item	Component List Component	Quantity
Company : Project : Project No :		
Prepared by Name : Date : Signature:		
		

E-LINE KMH-KMA

CABLE LADDER SYSTEMS

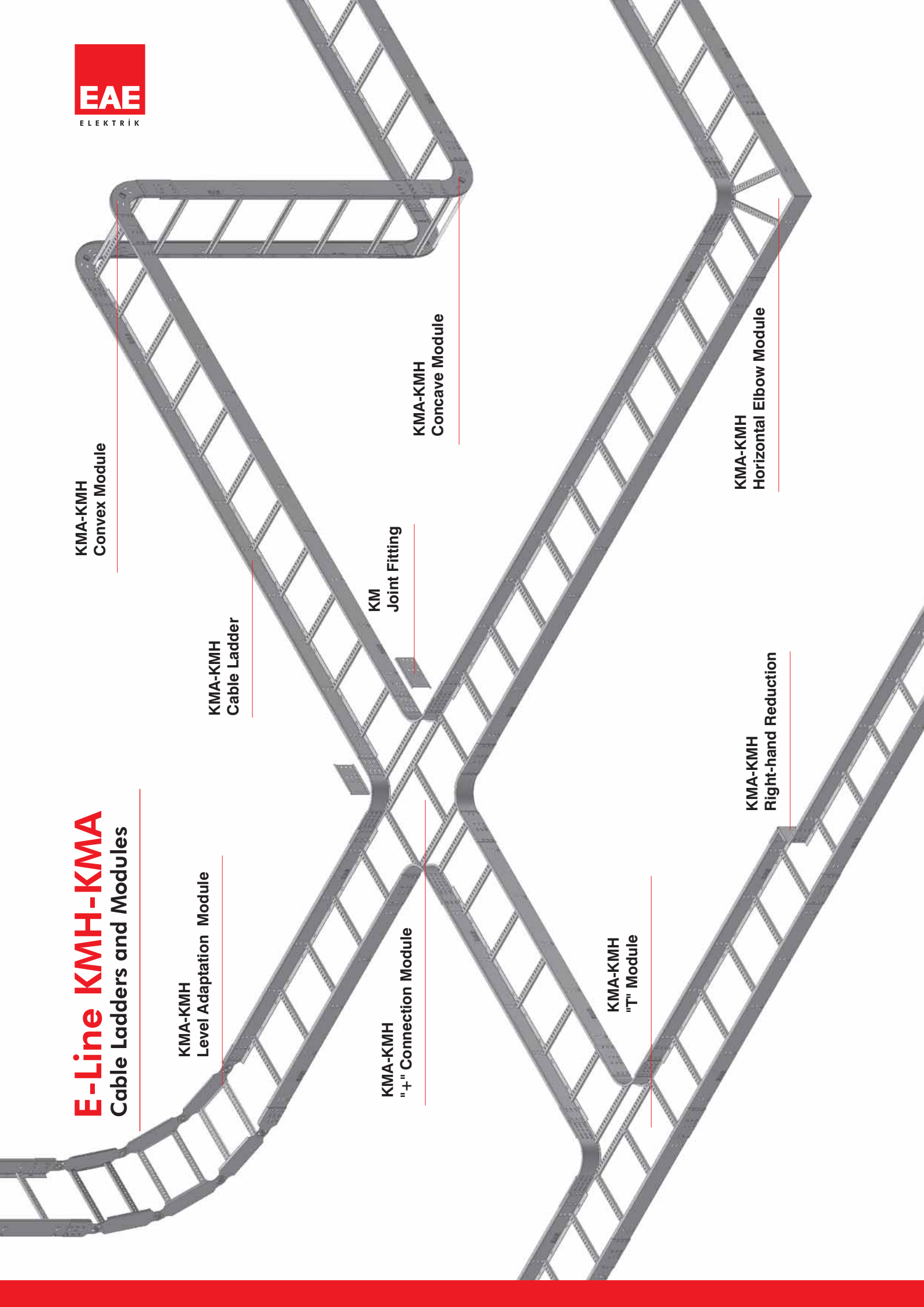


Hot Dip Galvanized After Fabrication
KMH-KMA
Cable Ladder and Modules



KMH-KMA

E-Line KMH-KMA Cable Ladders and Modules



KMA-KMH
Convex Module

KMA-KMH
Cable Ladder

KMA-KMH
Concave Module

KMA-KMH
Horizontal Elbow Module

KM
Joint Fitting

KMA-KMH
Level Adaptation Module

KMA-KMH
"+" Connection Module

KMA-KMH
"T" Module

KMA-KMH
Right-hand Reduction

CONTENTS

2-3	KMH Cable Ladders
4-9	KMH Cable Ladder Modules
10	KMH Reduction Module
11-14	KMH Cable Ladder Covers and KMH Module Covers
15-16	KMA Cable Ladder and Cover
17-52	KMA Cable Ladder Module and Cover
53	KMA-KMH Level Changing Module
54	KM Joint Fitting
55	KM Exit Accessory, KMA Notched Attachment
56	KM Expansion Set
57	KC Additional Screw set, Level Changing Module
58	KM End Cover
59	KMH-KMA Fixing Modules
60-61	KMH-KMA Reduction
62	KMH-KMA Omega Clamp

▶▶ KMH CABLE LADDERS

Hot Dip Galvanized After Fabrication (TS EN ISO 1461)

Description	H (mm)	A (mm)	T (mm)	Weight (kg./m.)	Order Code
040 KMH 100	40	100	1,2	1,628	3106701
040 KMH 200	40	200	1,2	1,840	3106702
040 KMH 300	40	300	1,2	2,053	3106703

▶▶ KMH CABLE LADDERS

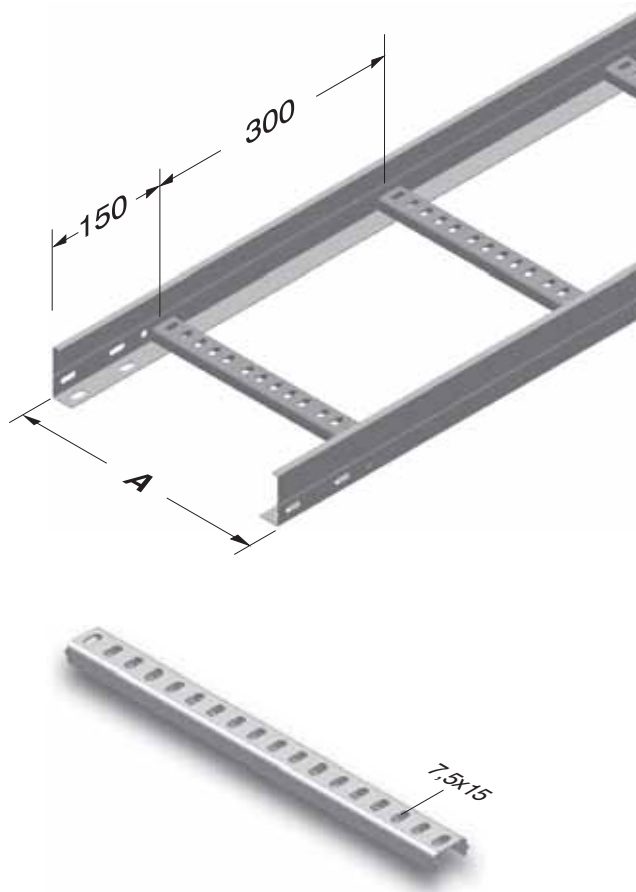
Hot Dip Galvanized After Fabrication (TS EN ISO 1461)

Description	H (mm)	A (mm)	T (mm)	Weight (kg./m.)	Order Code
050 KMH 100	50	100	1,2	1,831	3106704
050 KMH 200	50	200	1,2	2,043	3106705
050 KMH 300	50	300	1,2	2,256	3106706

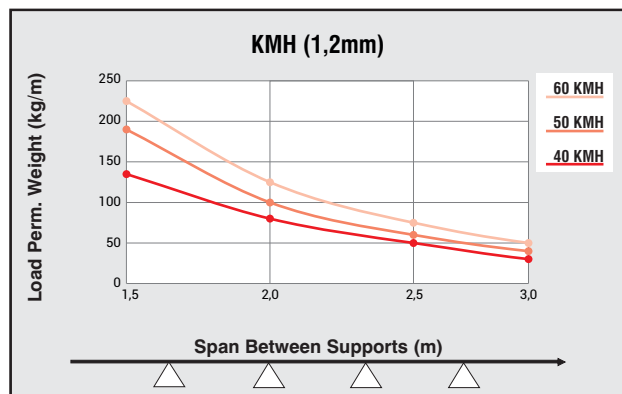
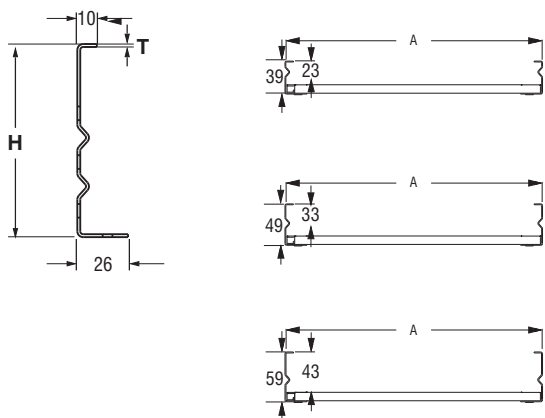
▶▶ KMH CABLE LADDERS

Hot Dip Galvanized After Fabrication (TS EN ISO 1461)

Description	H (mm)	A (mm)	T (mm)	Weight (kg./m.)	Order Code
060 KMH 100	60	100	1,2	2,035	3106707
060 KMH 200	60	200	1,2	2,247	3106708
060 KMH 300	60	300	1,2	2,460	3106709



H=040, H=050, H=060 single row perforated.



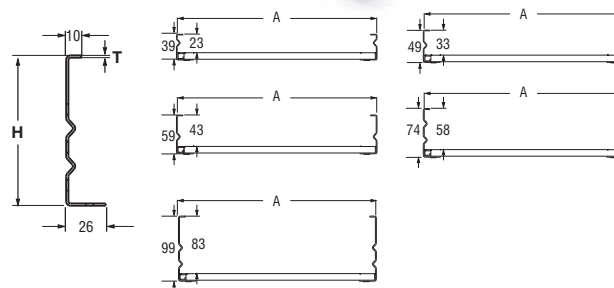
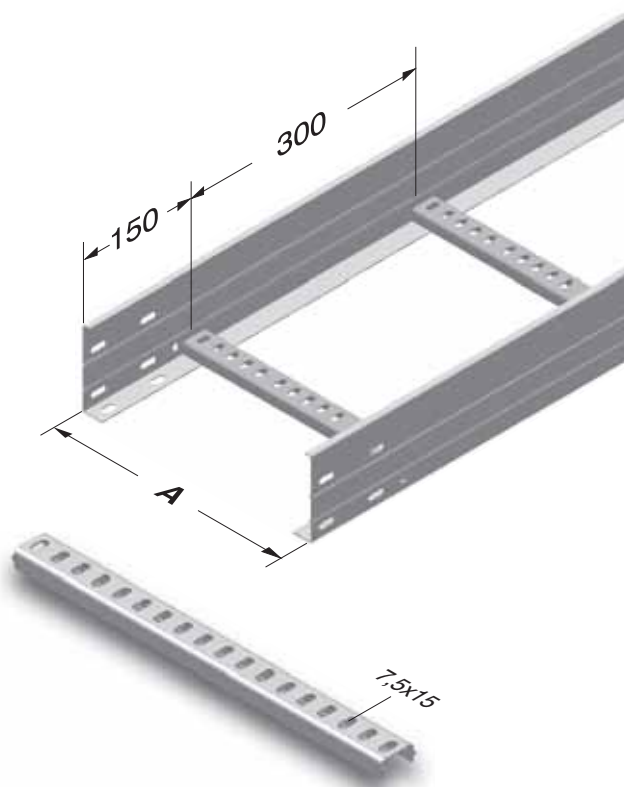
■ Load Perm. Weight may change +/- according to the sheet tolerance and hardness.
Please contact to your customer representative for detailed information.

- Standard length is 3000 mm.
- Please indicate order code in your orders.
- Please contact us for special size.
- Material weights may vary by ± 10%

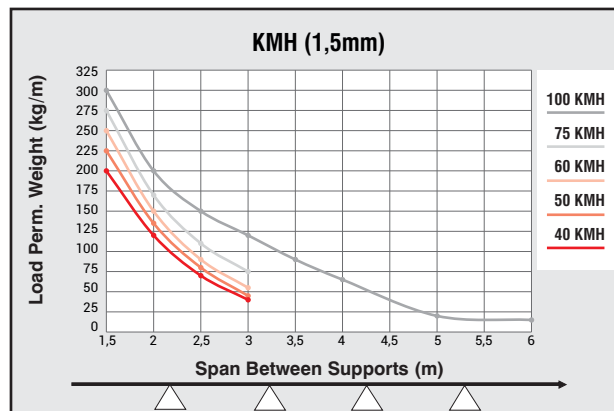
►► KMH CABLE LADDERS

Hot Dip Galvanized After Fabrication (TS EN ISO 1461)

Description	H (mm)	A (mm)	T (mm)	Weight (kg./m.)	Order Code
040 KMH 100	40	100	1,5	1,935	3106605
040 KMH 200	40	200	1,5	2,147	3106606
040 KMH 300	40	300	1,5	2,360	3106607
040 KMH 400	40	400	1,5	2,572	3106608
040 KMH 500	40	500	1,5	2,781	3106609
040 KMH 600	40	600	1,5	2,993	3106610
050 KMH 100	50	100	1,5	2,189	3106611
050 KMH 200	50	200	1,5	2,401	3106612
050 KMH 300	50	300	1,5	2,614	3106613
050 KMH 400	50	400	1,5	2,826	3106614
050 KMH 500	50	500	1,5	3,035	3106615
050 KMH 600	50	600	1,5	3,247	3106616
060 KMH 100	60	100	1,5	2,443	3106617
060 KMH 200	60	200	1,5	2,656	3106618
060 KMH 300	60	300	1,5	2,868	3106619
060 KMH 400	60	400	1,5	3,080	3106620
060 KMH 500	60	500	1,5	3,289	3106621
060 KMH 600	60	600	1,5	3,502	3106622
075 KMH 100	75	100	1,5	2,827	3106623
075 KMH 200	75	200	1,5	3,040	3106624
075 KMH 300	75	300	1,5	3,252	3106625
075 KMH 400	75	400	1,5	3,464	3106626
075 KMH 500	75	500	1,5	3,673	3106627
075 KMH 600	75	600	1,5	3,886	3106628
100 KMH 200	100	200	1,5	3,671	3106629
100 KMH 300	100	300	1,5	3,884	3106630
100 KMH 400	100	400	1,5	4,096	3106631
100 KMH 500	100	500	1,5	4,305	3106632
100 KMH 600	100	600	1,5	4,517	3106633



H=040, H=050, H=060 single row perforated.
 H=075 two row perforated.
 H=100 three rows perforated.



■ Load Perm. Weight may change +/- according to the sheet tolerance and hardness.
 Please contact to your customer representative for detailed information.

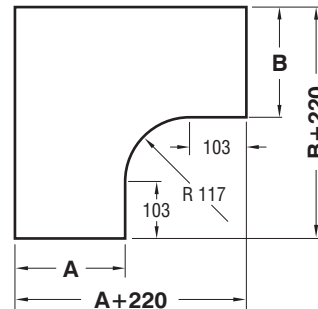
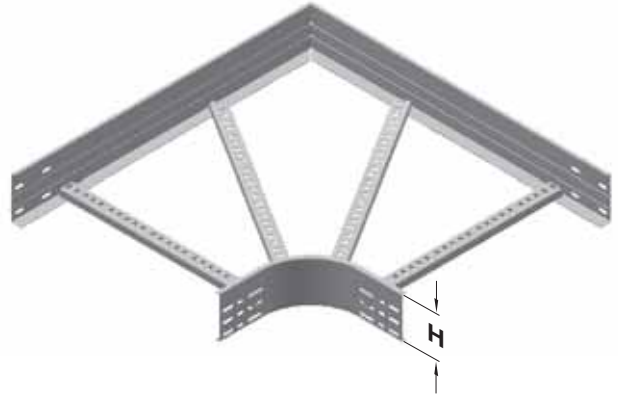
- Standard length is 3000 mm.
- Please indicate order code in your orders.
- Please contact us for special size.
- Material weights may vary by ± 10%

►► KMH HORIZONTAL ELBOW MODULE (90°) R=117

Hot Dip Galvanized After Fabrication (TS EN ISO 1461)

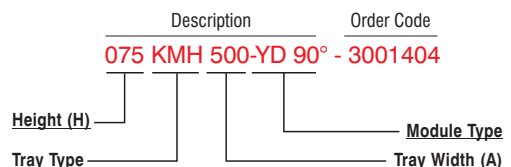
YD 90°

Description	H (mm)	AB (mm)	T (mm)	Weight (kg/pc)	Order Code
040 KMH 100 YD 90°	40	100	1,5	1,122	3001382
040 KMH 200 YD 90°	40	200	1,5	1,496	3001383
040 KMH 300 YD 90°	40	300	1,5	2,030	3001384
040 KMH 400 YD 90°	40	400	1,5	2,230	3001385
040 KMH 500 YD 90°	40	500	1,5	2,650	3001386
040 KMH 600 YD 90°	40	600	1,5	3,179	3001387
050 KMH 100 YD 90°	50	100	1,5	1,265	3001388
050 KMH 200 YD 90°	50	200	1,5	1,672	3001389
050 KMH 300 YD 90°	50	300	1,5	2,321	3001390
050 KMH 400 YD 90°	50	400	1,5	2,805	3001391
050 KMH 500 YD 90°	50	500	1,5	3,685	3001392
050 KMH 600 YD 90°	50	600	1,5	4,246	3001393
060 KMH 100 YD 90°	60	100	1,5	1,408	3001394
060 KMH 200 YD 90°	60	200	1,5	1,848	3001395
060 KMH 300 YD 90°	60	300	1,5	2,508	3001396
060 KMH 400 YD 90°	60	400	1,5	3,025	3001397
060 KMH 500 YD 90°	60	500	1,5	3,927	3001398
060 KMH 600 YD 90°	60	600	1,5	4,510	3001399
075 KMH 100 YD 90°	75	100	1,5	1,628	3001400
075 KMH 200 YD 90°	75	200	1,5	2,101	3001401
075 KMH 300 YD 90°	75	300	1,5	2,805	3001402
075 KMH 400 YD 90°	75	400	1,5	3,355	3001403
075 KMH 500 YD 90°	75	500	1,5	4,290	3001404
075 KMH 600 YD 90°	75	600	1,5	4,917	3001405
100 KMH 200 YD 90°	100	200	1,5	2,530	3001406
100 KMH 300 YD 90°	100	300	1,5	3,289	3001407
100 KMH 400 YD 90°	100	400	1,5	3,905	3001408
100 KMH 500 YD 90°	100	500	1,5	4,906	3001409
100 KMH 600 YD 90°	100	600	1,5	5,588	3001410



H=040, H=050, H=060 single row perforated.
H=075 two row perforated.
H=100 three rows perforated.

Sample Order:
Height (H): 75 mm,
Tray Width (A,B): 500 mm,
Sheet Metal Thickness (T): 1,5 mm,
Type of Coating (S): Hot Dip Galvanized,
Module Type: Horizontal Elbow Module.



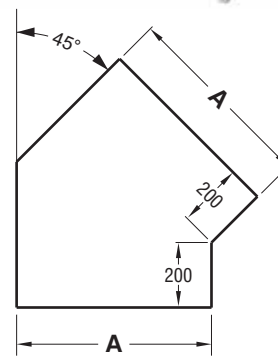
- Please indicate order code in your orders.
- Please contact us for special size.
- Material weights may vary by ± 10%

►► KMH HORIZONTAL ELBOW MODULE (45°)

Hot Dip Galvanized After Fabrication (TS EN ISO 1461)

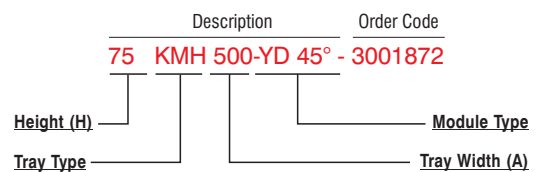
Description	H (mm)	A (mm)	T (mm)	Weight (kg/pc)	Order Code
040 KMH 100 YD 45°	40	100	1,5	0,883	3001850
040 KMH 200 YD 45°	40	200	1,5	1,056	3001851
040 KMH 300 YD 45°	40	300	1,5	1,232	3001852
040 KMH 400 YD 45°	40	400	1,5	1,372	3001853
040 KMH 500 YD 45°	40	500	1,5	1,535	3001854
040 KMH 600 YD 45°	40	600	1,5	1,699	3001855
050 KMH 100 YD 45°	50	100	1,5	1,056	3001856
050 KMH 200 YD 45°	50	200	1,5	1,190	3001857
050 KMH 300 YD 45°	50	300	1,5	1,390	3001858
050 KMH 400 YD 45°	50	400	1,5	1,540	3001859
050 KMH 500 YD 45°	50	500	1,5	1,710	3001860
050 KMH 600 YD 45°	50	600	1,5	1,880	3001861
060 KMH 100 YD 45°	60	100	1,5	1,169	3001862
060 KMH 200 YD 45°	60	200	1,5	1,355	3001863
060 KMH 300 YD 45°	60	300	1,5	1,552	3001864
060 KMH 400 YD 45°	60	400	1,5	1,710	3001865
060 KMH 500 YD 45°	60	500	1,5	1,890	3001866
060 KMH 600 YD 45°	60	600	1,5	2,100	3001867
075 KMH 100 YD 45°	75	100	1,5	1,280	3001868
075 KMH 200 YD 45°	75	200	1,5	1,492	3001869
075 KMH 300 YD 45°	75	300	1,5	1,706	3001870
075 KMH 400 YD 45°	75	400	1,5	1,883	3001871
075 KMH 500 YD 45°	75	500	1,5	2,081	3001872
075 KMH 600 YD 45°	75	600	1,5	2,283	3001873
100 KMH 200 YD 45°	100	200	1,5	1,802	3001874
100 KMH 300 YD 45°	100	300	1,5	2,043	3001875
100 KMH 400 YD 45°	100	400	1,5	2,247	3001876
100 KMH 500 YD 45°	100	500	1,5	2,472	3001877
100 KMH 600 YD 45°	100	600	1,5	2,700	3001878

YD 45°



H=040, H=050, H=060 single row perforated.
H=075 two row perforated.
H=100 three rows perforated.

Sample Order:
Height (H): 75 mm,
Tray Width (A): 500 mm,
Sheet Metal Thickness (T): 1,5 mm,
Type of Coating (S): Hot Dip Galvanized,
Module Type: Horizontal Elbow Module 45°

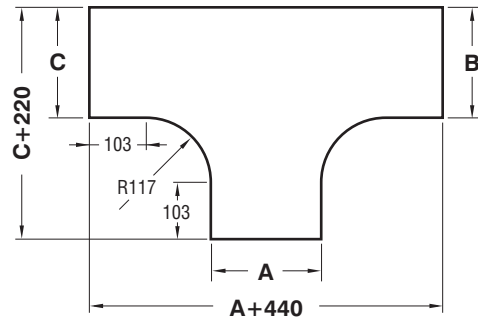
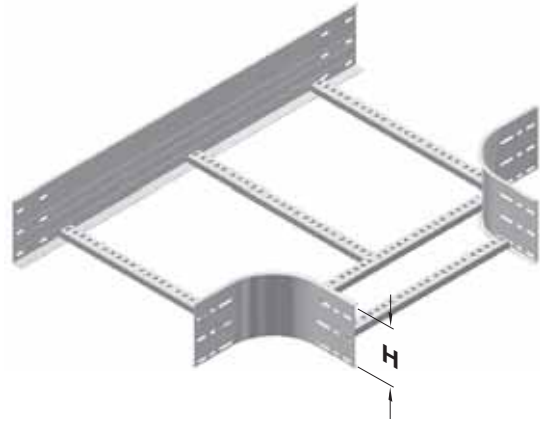


- Please indicate order code in your orders.
- Please contact us for special size.
- Material weights may vary by ± 10%

►► KMH "T" MODULE R=117
Hot Dip Galvanized After Fabrication (TS EN ISO 1461)

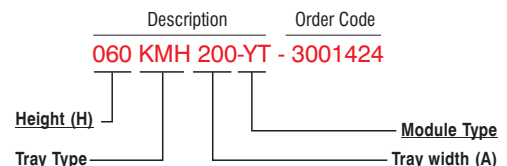
YT

Description	H (mm)	ABC (mm)	T (mm)	Weight (kg/pc)	Order Code
040 KMH 100 YT	40	100	1,5	1,326	3001411
040 KMH 200 YT	40	200	1,5	1,790	3001412
040 KMH 300 YT	40	300	1,5	2,140	3001413
040 KMH 400 YT	40	400	1,5	2,766	3001414
040 KMH 500 YT	40	500	1,5	3,451	3001415
040 KMH 600 YT	40	600	1,5	3,924	3001416
050 KMH 100 YT	50	100	1,5	1,498	3001417
050 KMH 200 YT	50	200	1,5	1,975	3001418
050 KMH 300 YT	50	300	1,5	2,338	3001419
050 KMH 400 YT	50	400	1,5	2,976	3001420
050 KMH 500 YT	50	500	1,5	3,675	3001421
050 KMH 600 YT	50	600	1,5	4,161	3001422
060 KMH 100 YT	60	100	1,5	1,670	3001423
060 KMH 200 YT	60	200	1,5	2,159	3001424
060 KMH 300 YT	60	300	1,5	2,536	3001425
060 KMH 400 YT	60	400	1,5	3,187	3001731
060 KMH 500 YT	60	500	1,5	3,899	3001427
060 KMH 600 YT	60	600	1,5	4,398	3001428
075 KMH 100 YT	75	100	1,5	1,928	3001429
075 KMH 200 YT	75	200	1,5	2,437	3001430
075 KMH 300 YT	75	300	1,5	2,833	3001431
075 KMH 400 YT	75	400	1,5	3,504	3001432
075 KMH 500 YT	75	500	1,5	4,235	3001433
075 KMH 600 YT	75	600	1,5	4,753	3001434
100 KMH 200 YT	100	200	1,5	2,899	3001435
100 KMH 300 YT	100	300	1,5	3,328	3001436
100 KMH 400 YT	100	400	1,5	4,031	3001437
100 KMH 500 YT	100	500	1,5	4,795	3001438
100 KMH 600 YT	100	600	1,5	5,346	3001439



H=040, H=050, H=060 single row perforated.
 H=075 two row perforated.
 H=100 three rows perforated.

Sample Order:
 Height (H): 60 mm,
 Tray Width (A,B,C): 200 mm,
 Sheet Metal Thickness (T): 1,5 mm,
 Type of Coating (S): Hot Dip Galvanized,
 Module Type: "T" Module.

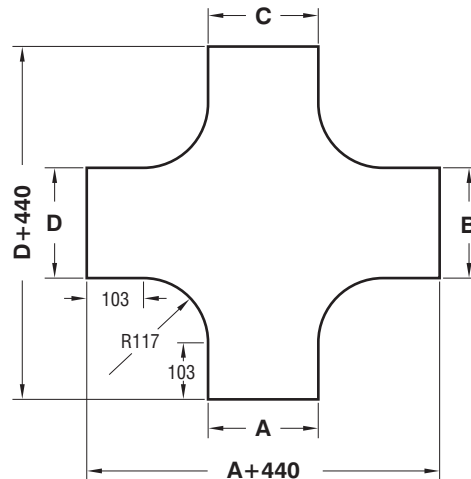
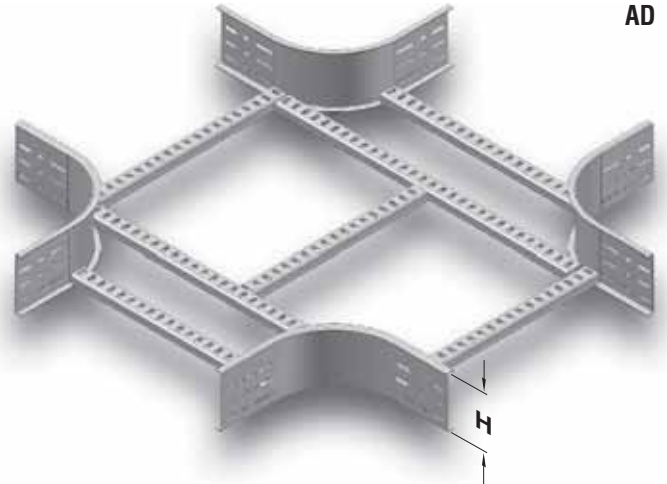


- Please indicate order code in your orders.
- Please contact us for special size.
- Material weights may vary by ± 10%

►► KMH "+" CONNECTION MODULE R=117

Hot Dip Galvanized After Fabrication (TS EN ISO 1461)

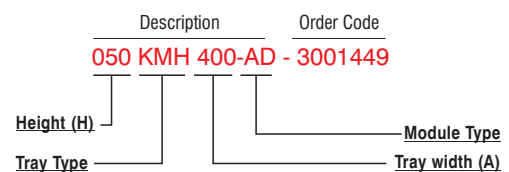
Description	H (mm)	ABCD (mm)	T (mm)	Weight (kg/pc)	Order Code
040 KMH 100 AD	40	100	1,5	1,504	3001440
040 KMH 200 AD	40	200	1,5	1,893	3001441
040 KMH 300 AD	40	300	1,5	2,213	3001442
040 KMH 400 AD	40	400	1,5	3,053	3001443
040 KMH 500 AD	40	500	1,5	3,508	3001444
040 KMH 600 AD	40	600	1,5	3,970	3001445
050 KMH 100 AD	50	100	1,5	1,688	3001446
050 KMH 200 AD	50	200	1,5	2,077	3001447
050 KMH 300 AD	50	300	1,5	2,397	3001448
050 KMH 400 AD	50	400	1,5	3,237	3001449
050 KMH 500 AD	50	500	1,5	3,692	3001450
050 KMH 600 AD	50	600	1,5	4,154	3001451
060 KMH 100 AD	60	100	1,5	1,868	3001452
060 KMH 200 AD	60	200	1,5	2,257	3001453
060 KMH 300 AD	60	300	1,5	2,577	3001454
060 KMH 400 AD	60	400	1,5	3,417	3001455
060 KMH 500 AD	60	500	1,5	3,872	3001456
060 KMH 600 AD	60	600	1,5	4,334	3001457
075 KMH 100 AD	75	100	1,5	2,096	3001458
075 KMH 200 AD	75	200	1,5	2,485	3001459
075 KMH 300 AD	75	300	1,5	2,805	3001460
075 KMH 400 AD	75	400	1,5	3,645	3001461
075 KMH 500 AD	75	500	1,5	4,100	3001462
075 KMH 600 AD	75	600	1,5	4,562	3001463
100 KMH 200 AD	100	200	1,5	2,897	3001464
100 KMH 300 AD	100	300	1,5	3,217	3001465
100 KMH 400 AD	100	400	1,5	4,057	3001466
100 KMH 500 AD	100	500	1,5	4,512	3001467
100 KMH 600 AD	100	600	1,5	5,120	3001468



H=040, H=050, H=060 single row perforated.
H=075 two row perforated.
H=100 three rows perforated.

Sample Order:

Height (H): 50 mm,
Tray Width (A,B,C,D): 400 mm,
Sheet Metal Thickness (T): 1,5 mm,
Type of Coating (S): Hot Dip Galvanized,
Module Type: "+" Connection Module.

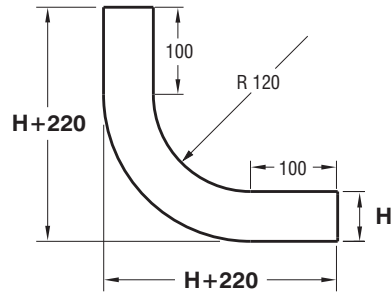
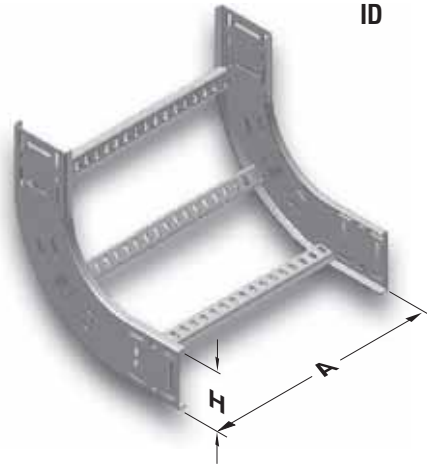


- Please indicate order code in your orders.
- Please contact us for special size.
- Material weights may vary by $\pm 10\%$

KMH CONCAVE MODULE (90°) R=120

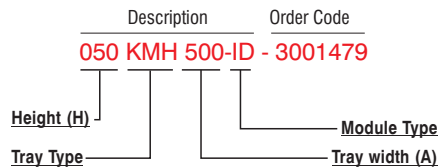
Hot Dip Galvanized After Fabrication (TS EN ISO 1461)

Description	H (mm)	A (mm)	T (mm)	Weight (kg/pc)	Order Code
040 KMH 100 ID	40	100	1,5	1,032	3001469
040 KMH 200 ID	40	200	1,5	1,299	3001470
040 KMH 300 ID	40	300	1,5	1,566	3001471
040 KMH 400 ID	40	400	1,5	1,834	3001472
040 KMH 500 ID	40	500	1,5	2,101	3001473
040 KMH 600 ID	40	600	1,5	2,365	3001474
050 KMH 100 ID	50	100	1,5	1,151	3001475
050 KMH 200 ID	50	200	1,5	1,436	3001476
050 KMH 300 ID	50	300	1,5	1,702	3001477
050 KMH 400 ID	50	400	1,5	1,969	3001478
050 KMH 500 ID	50	500	1,5	2,236	3001479
050 KMH 600 ID	50	600	1,5	2,500	3001480
060 KMH 100 ID	60	100	1,5	1,283	3001481
060 KMH 200 ID	60	200	1,5	1,575	3001482
060 KMH 300 ID	60	300	1,5	1,843	3001483
060 KMH 400 ID	60	400	1,5	2,110	3001484
060 KMH 500 ID	60	500	1,5	2,376	3001485
060 KMH 600 ID	60	600	1,5	2,641	3001486
075 KMH 100 ID	75	100	1,5	1,431	3001487
075 KMH 200 ID	75	200	1,5	1,791	3001488
075 KMH 300 ID	75	300	1,5	2,057	3001489
075 KMH 400 ID	75	400	1,5	2,324	3001490
075 KMH 500 ID	75	500	1,5	2,592	3001491
075 KMH 600 ID	75	600	1,5	2,856	3001492
100 KMH 200 ID	100	200	1,5	1,671	3001493
100 KMH 300 ID	100	300	1,5	2,439	3001494
100 KMH 400 ID	100	400	1,5	2,706	3001495
100 KMH 500 ID	100	500	1,5	2,973	3001496
100 KMH 600 ID	100	600	1,5	3,237	3001497



H=040, H=050, H=060 single row perforated.
H=075 two row perforated.
H=100 three rows perforated.

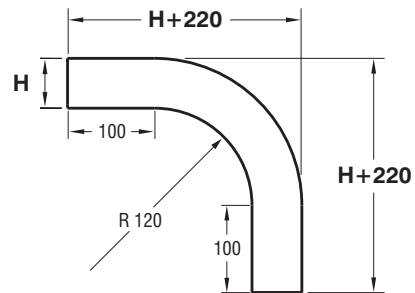
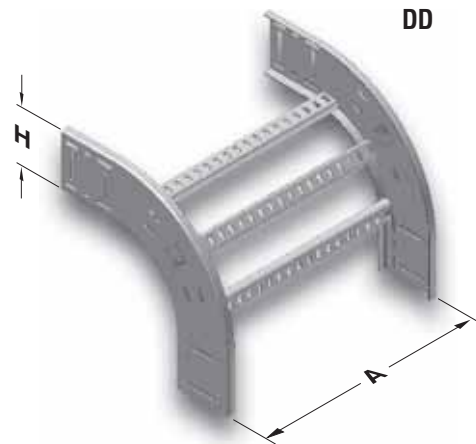
Sample Order:
Height (H): 50 mm,
Tray Width (A): 500 mm,
Sheet Metal Thickness (T): 1,5 mm,
Type of Coating (S): Hot Dip Galvanized,
Module Type: Concave Module.



- Please indicate order code in your orders.
- Please contact us for special size.
- Material weights may vary by ± 10%

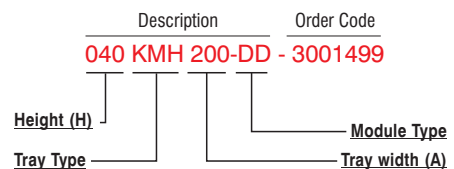
►► KMH CONVEX MODULE (90°) R=120
 Hot Dip Galvanized After Fabrication (TS EN ISO 1461)

Description	H (mm)	A (mm)	T (mm)	Weight (kg/pc)	Order Code
040 KMH 100 DD	40	100	1,5	1,032	3001498
040 KMH 200 DD	40	200	1,5	1,299	3001499
040 KMH 300 DD	40	300	1,5	1,566	3001500
040 KMH 400 DD	40	400	1,5	1,834	3001501
040 KMH 500 DD	40	500	1,5	2,101	3001502
040 KMH 600 DD	40	600	1,5	2,365	3001503
050 KMH 100 DD	50	100	1,5	1,151	3001504
050 KMH 200 DD	50	200	1,5	1,436	3001505
050 KMH 300 DD	50	300	1,5	1,702	3001506
050 KMH 400 DD	50	400	1,5	1,969	3001507
050 KMH 500 DD	50	500	1,5	2,236	3001508
050 KMH 600 DD	50	600	1,5	2,500	3001509
060 KMH 100 DD	60	100	1,5	1,283	3001510
060 KMH 200 DD	60	200	1,5	1,575	3001511
060 KMH 300 DD	60	300	1,5	1,843	3001512
060 KMH 400 DD	60	400	1,5	2,110	3001513
060 KMH 500 DD	60	500	1,5	2,376	3001514
060 KMH 600 DD	60	600	1,5	2,641	3001515
075 KMH 100 DD	75	100	1,5	1,431	3001516
075 KMH 200 DD	75	200	1,5	1,791	3001517
075 KMH 300 DD	75	300	1,5	2,057	3001518
075 KMH 400 DD	75	400	1,5	2,324	3001519
075 KMH 500 DD	75	500	1,5	2,592	3001520
075 KMH 600 DD	75	600	1,5	2,856	3001521
100 KMH 200 DD	100	200	1,5	1,671	3001522
100 KMH 300 DD	100	300	1,5	2,439	3001523
100 KMH 400 DD	100	400	1,5	2,706	3001524
100 KMH 500 DD	100	500	1,5	2,973	3001525
100 KMH 600 DD	100	600	1,5	3,237	3001526



H=040, H=050, H=060 single row perforated.
 H=075 two row perforated.
 H=100 three rows perforated.

Sample Order:
 Height (H): 40 mm,
 Tray Width (A): 200 mm,
 Sheet Metal Thickness (T): 1,5 mm,
 Type of Coating (S): Hot Dip Galvanized,
 Module Type: Convex Module



- Please indicate order code in your orders.
- Please contact us for special size.
- Material weights may vary by ± 10%

►► KMH REDUCTION MODULE

Hot Dip Galvanized After Fabrication (TS EN ISO 1461)

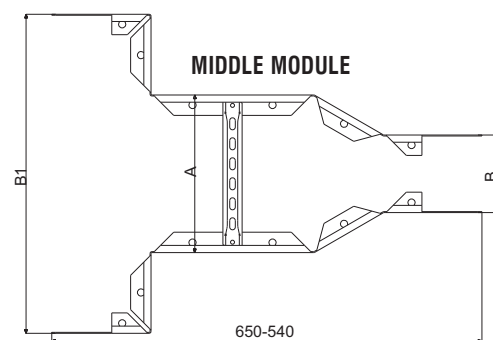
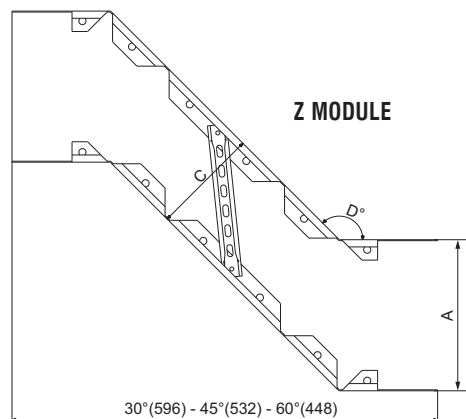
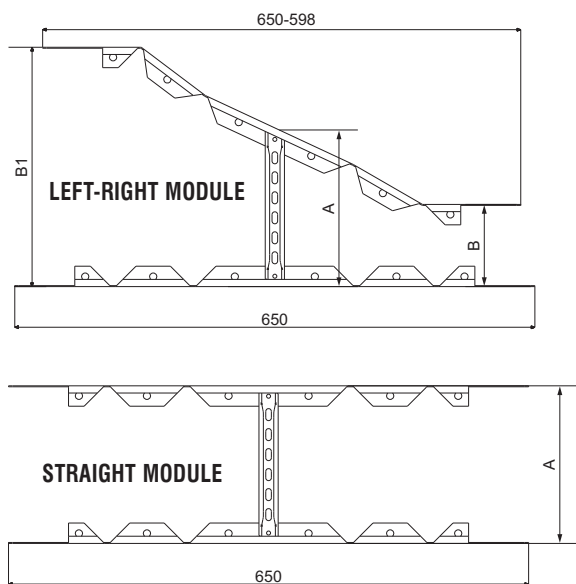
Description	A (mm)	Weight (kg/pc)	Order Code
040 KMH 200 REDUCTION MODULE	200	1,073	3136562
040 KMH 300 REDUCTION MODULE	300	1,103	3136563
040 KMH 400 REDUCTION MODULE	400	1,139	3136564
040 KMH 500 REDUCTION MODULE	500	1,170	3136565
040 KMH 600 REDUCTION MODULE	600	1,201	3136566
050 KMH 200 REDUCTION MODULE	200	1,180	3136567
050 KMH 300 REDUCTION MODULE	300	1,214	3136568
050 KMH 400 REDUCTION MODULE	400	1,253	3136569
050 KMH 500 REDUCTION MODULE	500	1,287	3136570
050 KMH 600 REDUCTION MODULE	600	1,321	3136571
060 KMH 200 REDUCTION MODULE	200	1,298	3136572
060 KMH 300 REDUCTION MODULE	300	1,335	3136573
060 KMH 400 REDUCTION MODULE	400	1,379	3136574
060 KMH 500 REDUCTION MODULE	500	1,416	3136575
060 KMH 600 REDUCTION MODULE	600	1,453	3136576
075 KMH 200 REDUCTION MODULE	200	1,435	3136577
075 KMH 300 REDUCTION MODULE	300	1,476	3136578
075 KMH 400 REDUCTION MODULE	400	1,525	3136579
075 KMH 500 REDUCTION MODULE	500	1,565	3136580
075 KMH 600 REDUCTION MODULE	600	1,607	3136581
100 KMH 200 REDUCTION MODULE	200	1,900	3136582
100 KMH 300 REDUCTION MODULE	300	1,955	3136583
100 KMH 400 REDUCTION MODULE	400	2,018	3136584
100 KMH 500 REDUCTION MODULE	500	2,073	3136585
100 KMH 600 REDUCTION MODULE	600	2,127	3136586



MIDDLE REDUCTION MODULE									
A		A		A		A		A	
200		300		400		500		600	
B	B1	B	B1	B	B1	B	B1	B	B1
100	400	200	500	300	600	400	700	500	800
100	350	200	450	300	550	400	650	500	750
100	300	200	400	300	500	400	600	500	700
100	250	200	350	300	450	400	550	500	650
100	200	200	300	300	400	400	500	500	600

LEFT - RIGHT REDUCTION MODULE									
A		A		A		A		A	
200		300		400		500		600	
B	B1	B	B1	B	B1	B	B1	B	B1
100	300	200	400	300	500	400	600	500	700
100	250	200	350	300	450	400	550	500	650
100	200	200	300	300	400	400	500	500	600

Z REDUCTION MODULE									
A		A		A		A		A	
200		300		400		500		600	
D°	C	D°	C	D°	C	D°	C	D°	C
30	167	30	254	30	341	30	427	30	514
45	133	45	205	45	235	45	346	45	417
60	92	60	142	60	192	60	242	60	293



- Please indicate order code in your orders.
- Please contact us for special size.
- Material weights may vary by ± 10%

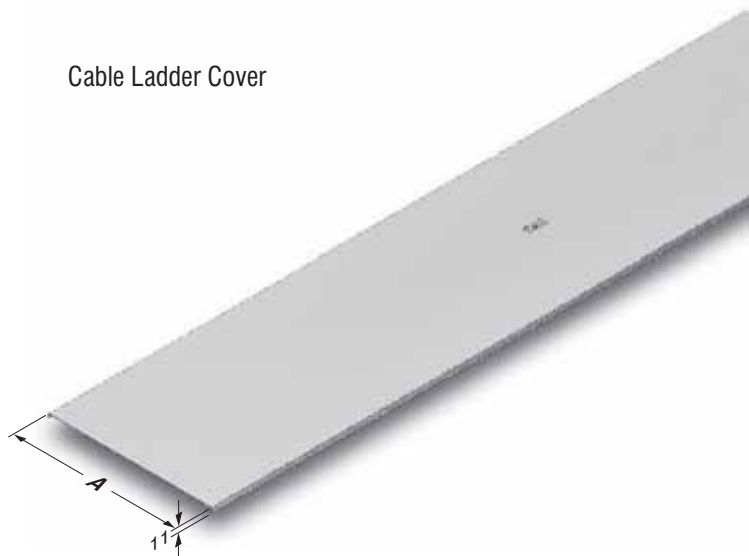
▶▶ KMH CABLE LADDER COVER

Hot Dip Galvanized After Fabrication (TS EN ISO 1461)

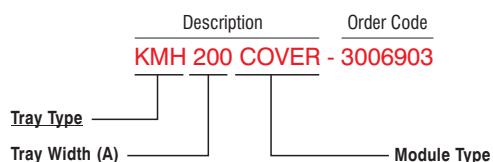
Description	A (mm)	T (mm)	Weight (kg./m.)	Order Code
KMH 100 COVER	105	1	1,059	3006907
KMH 200 COVER	205	1	1,927	3006903
KMH 300 COVER	305	1,5	4,191	3006899
KMH 400 COVER	405	1,5	5,493	3006897
KMH 500 COVER	505	1,5	6,795	3006895
KMH 600 COVER	605	1,5	8,097	3006893

■ Standard length is 3000 mm.

Cable Ladder Cover



Sample Order:

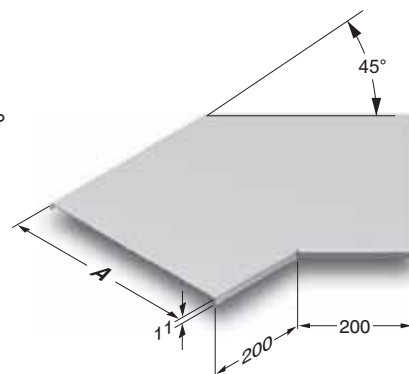


▶▶ KMH HORIZONTAL ELBOW MODULE COVER (45°)

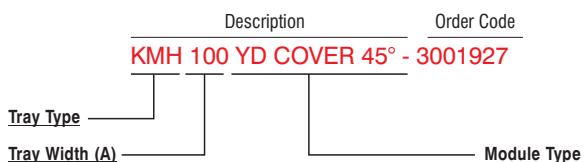
Hot Dip Galvanized After Fabrication (TS EN ISO 1461)

Description	A (mm)	T (mm)	Weight (kg./pc.)	Order Code
KMH 100 YD COVER 45°	105	1,5	0,681	3001927
KMH 200 YD COVER 45°	205	1,5	1,247	3001929
KMH 300 YD COVER 45°	305	1,5	1,970	3001931
KMH 400 YD COVER 45°	405	1,5	2,792	3001932
KMH 500 YD COVER 45°	505	1,5	3,712	3001933
KMH 600 YD COVER 45°	605	1,5	4,729	3001934

YD 45°



Sample Order:



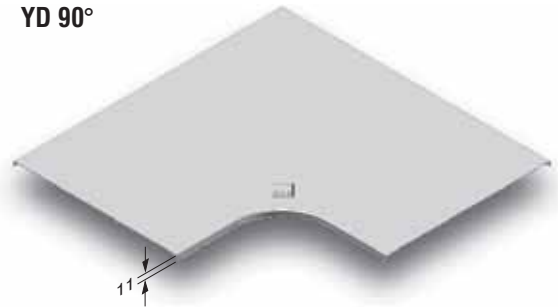
- Please indicate order code in your orders.
- Please contact us for special size.
- Material weights may vary by ± 10%

▶▶ KMH HORIZONTAL ELBOW MODULE COVER (90°) R=117

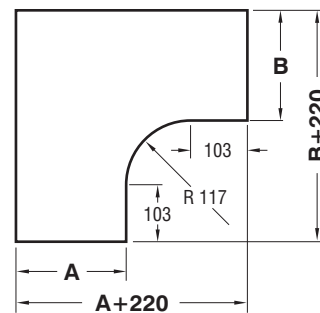
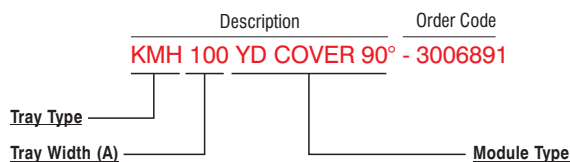
Hot Dip Galvanized After Fabrication (TS EN ISO 1461)

Description	AB (mm)	T (mm)	Weight (kg/pc)	Order Code
KMH 100 YD COVER 90°	105	1,5	0,331	3006891
KMH 200 YD COVER 90°	205	1,5	0,943	3006887
KMH 300 YD COVER 90°	305	1,5	1,780	3006883
KMH 400 YD COVER 90°	405	1,5	2,878	3006881
KMH 500 YD COVER 90°	505	1,5	4,235	3006879
KMH 600 YD COVER 90°	605	1,5	7,770	3006877

YD 90°



Sample Order:

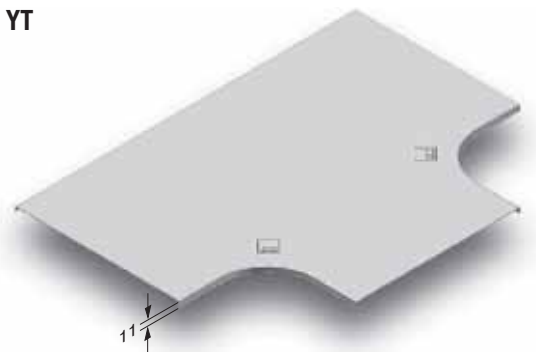


▶▶ KMH "T" MODULE COVER R=117

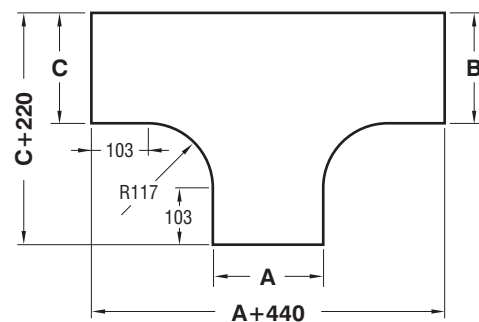
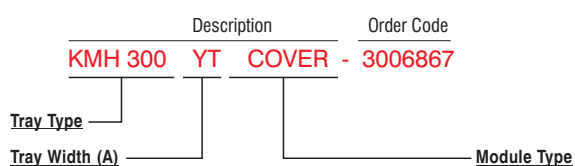
Hot Dip Galvanized After Fabrication (TS EN ISO 1461)

Description	ABC (mm)	T (mm)	Weight (kg/pc)	Order Code
KMH 100 YT COVER	105	1,5	1,293	3006875
KMH 200 YT COVER	205	1,5	2,569	3006871
KMH 300 YT COVER	305	1,5	4,105	3006867
KMH 400 YT COVER	405	1,5	5,902	3006865
KMH 500 YT COVER	505	1,5	7,959	3006863
KMH 600 YT COVER	605	1,5	10,275	3006861

YT



Sample Order:



■ Please indicate order code in your orders.

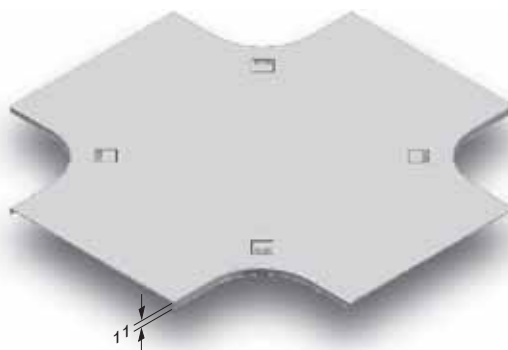
■ Please contact us for special size.

■ Material weights may vary by ± 10%

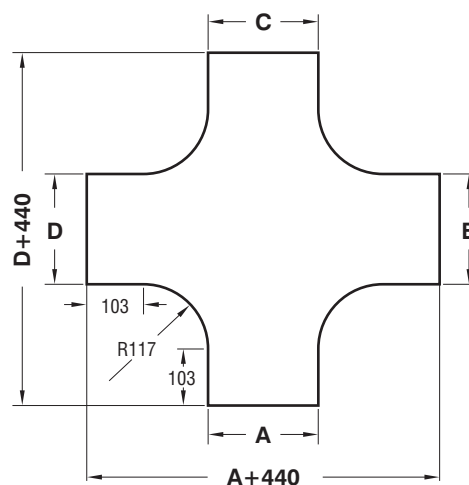
►► KMH "+" CONNECTION MODULE COVER $R=117$ Hot Dip Galvanized After Fabrication (TS EN ISO 1461)

Description	ABCD (mm)	T (mm)	Weight (kg/pc)	Order Code
KMH 100 AD COVER	105	1,5	1,699	3006859
KMH 200 AD COVER	205	1,5	3,248	3006855
KMH 300 AD COVER	305	1,5	5,057	3006851
KMH 400 AD COVER	405	1,5	7,127	3006849
KMH 500 AD COVER	505	1,5	9,458	3006847
KMH 600 AD COVER	605	1,5	12,048	3006845

AD



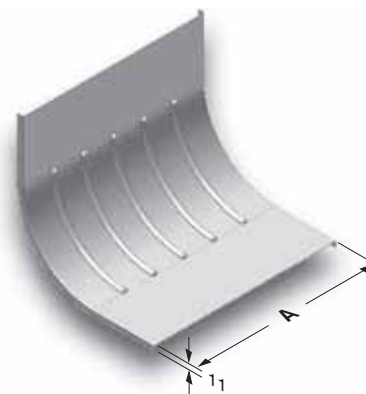
Sample Order:



►► KMH CONCAVE MODULE COVER Hot Dip Galvanized After Fabrication (TS EN ISO 1461)

Description	A (mm)	T (mm)	Weight (kg/pc)	Order Code
KMH 100 ID COVER	105	1,5	0,634	3006843
KMH 200 ID COVER	205	1,5	1,133	3006839
KMH 300 ID COVER	305	1,5	1,632	3006835
KMH 400 ID COVER	405	1,5	2,131	3006833
KMH 500 ID COVER	505	1,5	2,630	3006831
KMH 600 ID COVER	605	1,5	3,129	3006829

ID (90°)



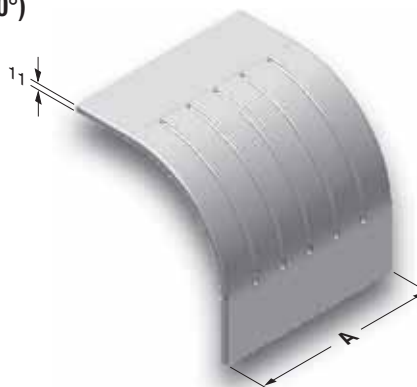
- Please indicate order code in your orders.
- Please contact us for special size.
- Material weights may vary by $\pm 10\%$

►► KMH CONVEX MODULE COVER

Hot Dip Galvanized After Fabrication (TS EN ISO 1461)

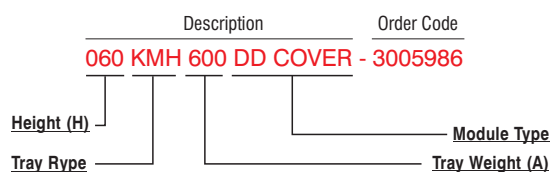
Description	A (mm)	T (mm)	Weight (kg/pc)	Order Code
040 KMH 100 DD COVER	105	1,5	0,737	3006827
040 KMH 200 DD COVER	205	1,5	1,317	3006823
040 KMH 300 DD COVER	305	1,5	1,898	3006819
040 KMH 400 DD COVER	405	1,5	2,478	3006817
040 KMH 500 DD COVER	505	1,5	3,058	3006815
040 KMH 600 DD COVER	605	1,5	3,639	3006813
050 KMH 100 DD COVER	105	1,5	0,763	3006016
050 KMH 200 DD COVER	205	1,5	1,364	3006012
050 KMH 300 DD COVER	305	1,5	1,964	3006008
050 KMH 400 DD COVER	405	1,5	2,565	3006006
050 KMH 500 DD COVER	505	1,5	3,166	3006004
050 KMH 600 DD COVER	605	1,5	3,766	3006002
060 KMH 100 DD COVER	105	1,5	0,789	3006000
060 KMH 200 DD COVER	205	1,5	1,410	3005996
060 KMH 300 DD COVER	305	1,5	2,031	3005992
060 KMH 400 DD COVER	405	1,5	2,652	3005990
060 KMH 500 DD COVER	505	1,5	3,273	3005988
060 KMH 600 DD COVER	605	1,5	3,894	3005986
075 KMH 100 DD COVER	105	1,5	0,827	3005984
075 KMH 200 DD COVER	205	1,5	1,479	3005982
075 KMH 300 DD COVER	305	1,5	2,130	3005980
075 KMH 400 DD COVER	405	1,5	2,782	3005978
075 KMH 500 DD COVER	505	1,5	3,434	3005976
075 KMH 600 DD COVER	605	1,5	4,085	3005974
100 KMH 200 DD COVER	205	1,5	1,594	3005972
100 KMH 300 DD COVER	305	1,5	2,297	3005970
100 KMH 400 DD COVER	405	1,5	2,999	3005968
100 KMH 500 DD COVER	505	1,5	3,701	3005966
100 KMH 600 DD COVER	605	1,5	4,404	3005964

DD (90°)



H=040, 050, 060, 075, 100 modul covers

Sample Order:



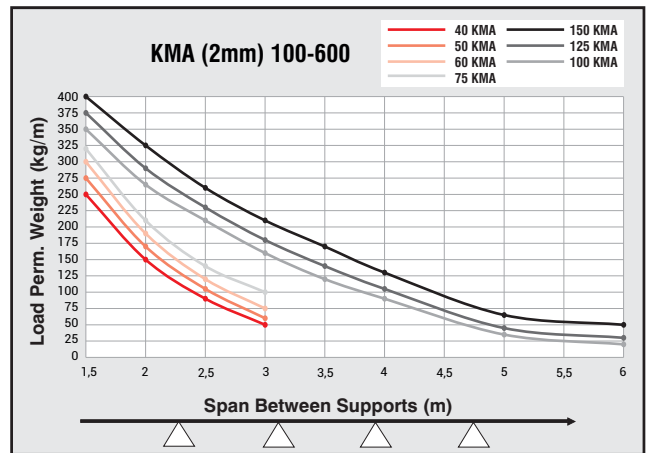
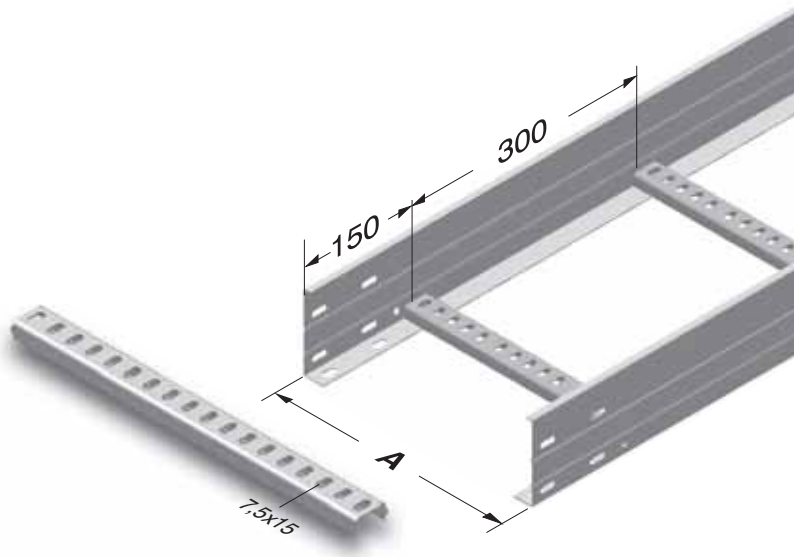
- Please indicate order code in your orders.
- Please contact us for special size.
- Material weights may vary by ± 10%

►► KMA CABLE LADDERS

Hot Dip Galvanized After Fabrication (TS EN ISO 1461)

Description	H (mm)	A (mm)	T (mm)	Weight (kg./m.)	Order Code
040 KMA 100	40	100	2	2,519	3106644
040 KMA 200	40	200	2	2,732	3106645
040 KMA 300	40	300	2	2,944	3106646
040 KMA 400	40	400	2	3,409	3106647
040 KMA 500	40	500	2	3,682	3106648
040 KMA 600	40	600	2	3,959	3106649
050 KMA 100	50	100	2	2,859	3106650
050 KMA 200	50	200	2	3,071	3106651
050 KMA 300	50	300	2	3,283	3106652
050 KMA 400	50	400	2	3,748	3106653
050 KMA 500	50	500	2	4,021	3106654
050 KMA 600	50	600	2	4,299	3106655
060 KMA 100	60	100	2	3,198	3106656
060 KMA 200	60	200	2	3,410	3106657
060 KMA 300	60	300	2	3,622	3106658
060 KMA 400	60	400	2	4,087	3106659
060 KMA 450	60	450	2	4,227	3107823
060 KMA 500	60	500	2	4,360	3106660
060 KMA 600	60	600	2	4,638	3106661
075 KMA 100	75	100	2	3,717	3106665
075 KMA 200	75	200	2	3,929	3106666
075 KMA 300	75	300	2	4,142	3106667
075 KMA 400	75	400	2	4,606	3106668
075 KMA 450	75	450	2	4,746	3107824
075 KMA 500	75	500	2	4,880	3106669
075 KMA 600	75	600	2	5,157	3106670
100 KMA 200	100	200	2	4,771	3106674
100 KMA 300	100	300	2	4,983	3106675
100 KMA 400	100	400	2	5,448	3106676
100 KMA 450	100	450	2	5,588	3107825
100 KMA 500	100	500	2	5,721	3106677
100 KMA 600	100	600	2	5,999	3106678
125 KMA 200	125	200	2	5,632	3106682
125 KMA 300	125	300	2	5,844	3106683
125 KMA 400	125	400	2	6,308	3106684
125 KMA 450	125	450	2	6,449	3107826
125 KMA 500	125	500	2	6,582	3106685
125 KMA 600	125	600	2	6,859	3106686

- Standard length is 3000 mm.
- Please indicate order code in your orders.
- Please contact us for special size.
- Material weights may vary by ± 10%
- Width of 700-800 and 900 mm binrak trays use as step.



■ Load Perm. Weight may change +/- according to the sheet tolerance and hardness. Please contact to your customer representative for detailed information.

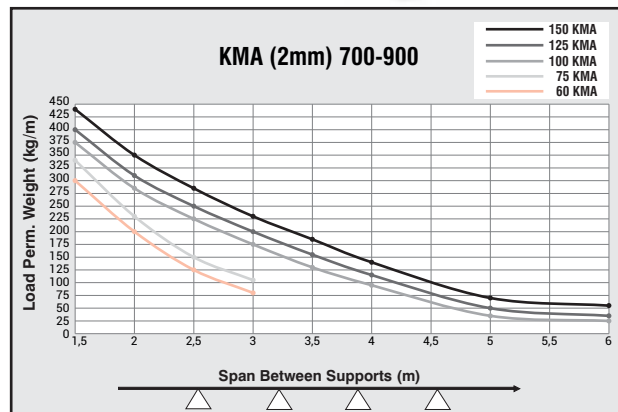
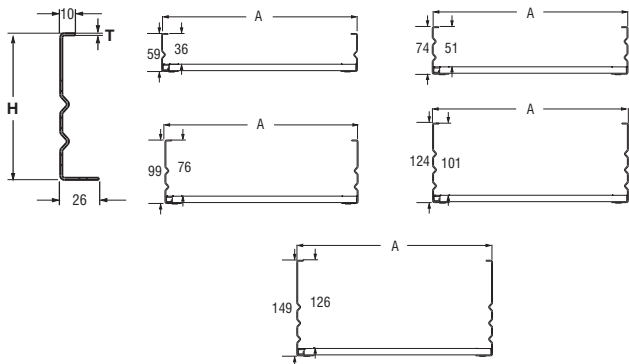
Description	H (mm)	A (mm)	T (mm)	Weight (kg./m.)	Order Code
150 KMA 200	150	200	2	6,473	3106692
150 KMA 300	150	300	2	6,686	3106693
150 KMA 400	150	400	2	7,150	3106694
150 KMA 450	150	450	2	7,291	3107827
150 KMA 500	150	500	2	7,424	3106695
150 KMA 600	150	600	2	7,701	3106696

►► KMA CABLE LADDERS

Hot Dip Galvanized After Fabrication (TS EN ISO 1461)

Description	H (mm)	A (mm)	T (mm)	Weight (kg./m.)	Order Code
060 KMA 700	60	700	2	6,657	3106662
060 KMA 800	60	800	2	7,179	3106663
060 KMA 900	60	900	2	7,701	3106664
075 KMA 700	75	700	2	7,176	3106671
075 KMA 800	75	800	2	7,698	3106672
075 KMA 900	75	900	2	8,220	3106673
100 KMA 700	100	700	2	8,018	3106679
100 KMA 800	100	800	2	8,540	3106680
100 KMA 900	100	900	2	9,062	3106681
125 KMA 700	125	700	2	8,879	3106688
125 KMA 800	125	800	2	9,401	3106689
125 KMA 900	125	900	2	9,923	3106690
150 KMA 700	150	700	2	9,721	3106697
150 KMA 800	150	800	2	10,243	3106698
150 KMA 900	150	900	2	10,765	3106700

■ Width of 700-800 and 900 mm C profile use as step.



■ Load Perm. Weight may change +/- according to the sheet tolerance and hardness. Please contact to your customer representative for detailed information.

►► KMA CABLE LADDER COVER

Hot Dip Galvanized After Fabrication (TS EN ISO 1461)

Description	A (mm)	T (mm)	Weight (kg./m.)	Order Code
KMA 100 COVER	105	2	2,118	3005698
KMA 200 COVER	205	2	3,853	3005694
KMA 300 COVER	305	2	5,589	3005690
KMA 400 COVER	405	2	7,325	3005688
KMA 500 COVER	505	2	9,061	3005686
KMA 600 COVER	605	2	10,797	3005684

■ Standard length is 3000 mm.

Cable Ladder Cover



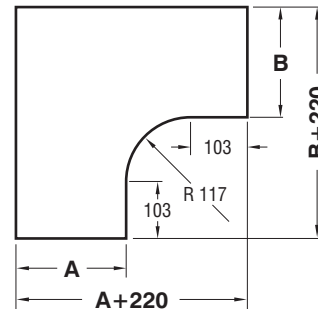
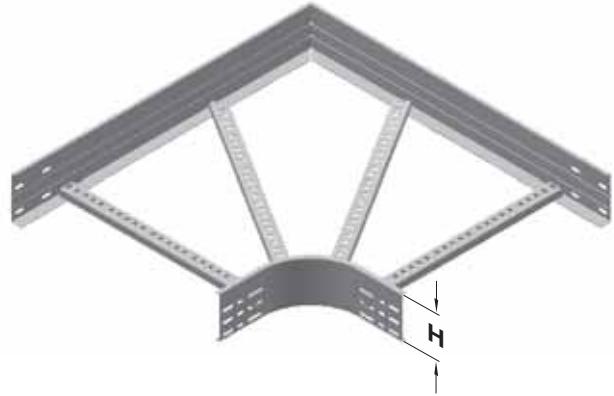
- Please indicate order code in your orders.
- Please contact us for special size.
- Material weights may vary by ± 10%

►► KMA HORIZONTAL ELBOW MODULE (90°) R=117

Hot Dip Galvanized After Fabrication (TS EN ISO 1461)

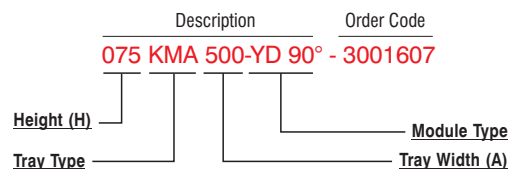
YD 90°

Description	H (mm)	AB (mm)	T (mm)	Weight (kg/pc)	Order Code
040 KMA 100 YD 90°	40	100	2	1,220	3001585
040 KMA 200 YD 90°	40	200	2	1,783	3001586
040 KMA 300 YD 90°	40	300	2	2,342	3001587
040 KMA 400 YD 90°	40	400	2	2,969	3001588
040 KMA 500 YD 90°	40	500	2	3,463	3001589
040 KMA 600 YD 90°	40	600	2	4,023	3001590
050 KMA 100 YD 90°	50	100	2	1,396	3001591
050 KMA 200 YD 90°	50	200	2	1,993	3001592
050 KMA 300 YD 90°	50	300	2	2,586	3001593
050 KMA 400 YD 90°	50	400	2	3,180	3001594
050 KMA 500 YD 90°	50	500	2	3,777	3001595
050 KMA 600 YD 90°	50	600	2	4,370	3001596
060 KMA 100 YD 90°	60	100	2	1,572	3001597
060 KMA 200 YD 90°	60	200	2	2,204	3001598
060 KMA 300 YD 90°	60	300	2	2,831	3001599
060 KMA 400 YD 90°	60	400	2	3,460	3001600
060 KMA 500 YD 90°	60	500	2	4,091	3001601
060 KMA 600 YD 90°	60	600	2	4,719	3001602
075 KMA 100 YD 90°	75	100	2	1,804	3001603
075 KMA 200 YD 90°	75	200	2	2,488	3001604
075 KMA 300 YD 90°	75	300	2	3,168	3001605
075 KMA 400 YD 90°	75	400	2	3,847	3001606
075 KMA 500 YD 90°	75	500	2	4,531	3001607
075 KMA 600 YD 90°	75	600	2	5,211	3001608
100 KMA 200 YD 90°	100	200	2	2,983	3001609
100 KMA 300 YD 90°	100	300	2	3,937	3001610
100 KMA 400 YD 90°	100	400	2	4,514	3001611
100 KMA 500 YD 90°	100	500	2	5,286	3001612
100 KMA 600 YD 90°	100	600	2	6,051	3001613
125 KMA 200 YD 90°	125	200	2	3,806	3002443
125 KMA 300 YD 90°	125	300	2	4,854	3002444
125 KMA 400 YD 90°	125	400	2	5,716	3002445
125 KMA 500 YD 90°	125	500	2	7,097	3002446
125 KMA 600 YD 90°	125	600	2	8,062	3002447
150 KMA 200 YD 90°	150	200	2	4,359	3002448
150 KMA 300 YD 90°	150	300	2	5,477	3002449
150 KMA 400 YD 90°	150	400	2	6,412	3002450
150 KMA 500 YD 90°	150	500	2	7,889	3002451
150 KMA 600 YD 90°	150	600	2	8,931	3002452



H=040, H=050, H=060 single row perforated.
 H=075 two row perforated.
 H=100 three rows perforated.
 H=125 four rows perforated
 H=150 five rows perforated.

Sample Order:
 Height (H): 75 mm,
 Tray Width (A,B): 500 mm,
 Sheet Metal Thickness (T): 2 mm,
 Type of Coating (S): Hot Dip Galvanized,
 Module Type: Horizontal Elbow Module.

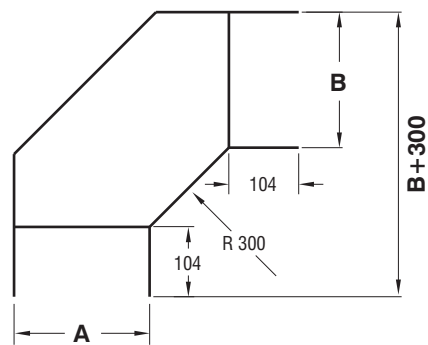
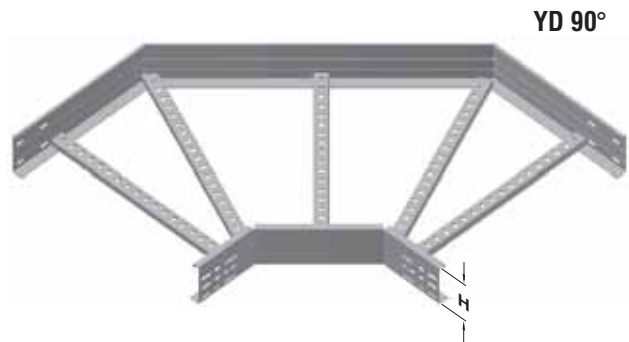


- Please indicate order code in your orders.
- Please contact us for special size.
- Material weights may vary by ± 10%

►► KMA HORIZONTAL ELBOW MODULE (90°) R=300

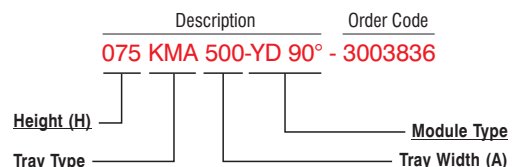
Hot Dip Galvanized After Fabrication (TS EN ISO 1461)

Description	H (mm)	AB (mm)	T (mm)	Weight (kg/pc)	Order Code
040 KMA 100 YD 90°	40	100	2	2,286	3003814
040 KMA 200 YD 90°	40	200	2	2,973	3003815
040 KMA 300 YD 90°	40	300	2	3,661	3003816
040 KMA 400 YD 90°	40	400	2	4,347	3003817
040 KMA 500 YD 90°	40	500	2	5,035	3003818
040 KMA 600 YD 90°	40	600	2	5,722	3003819
050 KMA 100 YD 90°	50	100	2	2,558	3003820
050 KMA 200 YD 90°	50	200	2	3,274	3003821
050 KMA 300 YD 90°	50	300	2	3,990	3003822
050 KMA 400 YD 90°	50	400	2	4,705	3003823
050 KMA 500 YD 90°	50	500	2	5,421	3003824
050 KMA 600 YD 90°	50	600	2	6,137	3003825
060 KMA 100 YD 90°	60	100	2	2,829	3003826
060 KMA 200 YD 90°	60	200	2	3,574	3003827
060 KMA 300 YD 90°	60	300	2	4,319	3003828
060 KMA 400 YD 90°	60	400	2	5,062	3003829
060 KMA 500 YD 90°	60	500	2	5,807	3003830
060 KMA 600 YD 90°	60	600	2	6,552	3003831
075 KMA 100 YD 90°	75	100	2	3,207	3003832
075 KMA 200 YD 90°	75	200	2	3,994	3003833
075 KMA 300 YD 90°	75	300	2	4,781	3003834
075 KMA 400 YD 90°	75	400	2	5,568	3003835
075 KMA 500 YD 90°	75	500	2	6,356	3003836
075 KMA 600 YD 90°	75	600	2	7,143	3003837
100 KMA 200 YD 90°	100	200	2	4,715	3003839
100 KMA 300 YD 90°	100	300	2	5,574	3003840
100 KMA 400 YD 90°	100	400	2	6,433	3003841
100 KMA 500 YD 90°	100	500	2	7,291	3003842
100 KMA 600 YD 90°	100	600	2	8,150	3003843
125 KMA 200 YD 90°	125	200	2	5,453	3000676
125 KMA 300 YD 90°	125	300	2	6,382	3000677
125 KMA 400 YD 90°	125	400	2	7,313	3000678
125 KMA 500 YD 90°	125	500	2	8,243	3000679
125 KMA 600 YD 90°	125	600	2	9,174	3000680
150 KMA 200 YD 90°	150	200	2	6,155	3000681
150 KMA 300 YD 90°	150	300	2	7,157	3000682
150 KMA 400 YD 90°	150	400	2	8,159	3000683
150 KMA 500 YD 90°	150	500	2	9,161	3000684
150 KMA 600 YD 90°	150	600	2	10,163	3000685



H=040, H=050, H=060 single row perforated.
 H=075 two row perforated.
 H=100 three rows perforated.
 H=125 four rows perforated
 H=150 five rows perforated.

Sample Order:
 Height (H): 75 mm,
 Tray Width (A,B): 500 mm,
 Sheet Metal Thickness (T): 2 mm,
 Type of Coating (S): Hot Dip Galvanized,
 Module Type: Horizontal Elbow Module.

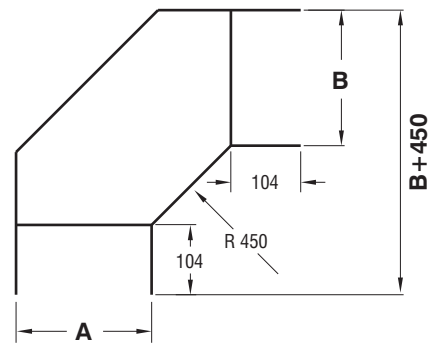
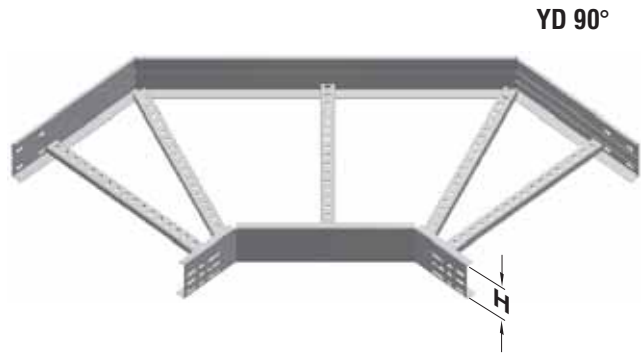


- Please indicate order code in your orders.
- Please contact us for special size.
- Material weights may vary by ± 10%

►► KMA HORIZONTAL ELBOW MODULE (90°) R=450

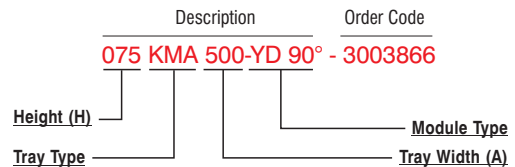
Hot Dip Galvanized After Fabrication (TS EN ISO 1461)

Description	H (mm)	AB (mm)	T (mm)	Weight (kg/pc)	Order Code
040 KMA 100 YD 90°	40	100	2	2,877	3003844
040 KMA 200 YD 90°	40	200	2	3,563	3003845
040 KMA 300 YD 90°	40	300	2	4,250	3003846
040 KMA 400 YD 90°	40	400	2	4,938	3003847
040 KMA 500 YD 90°	40	500	2	5,625	3003848
040 KMA 600 YD 90°	40	600	2	6,313	3003849
050 KMA 100 YD 90°	50	100	2	3,234	3003850
050 KMA 200 YD 90°	50	200	2	3,950	3003851
050 KMA 300 YD 90°	50	300	2	4,665	3003852
050 KMA 400 YD 90°	50	400	2	5,381	3003853
050 KMA 500 YD 90°	50	500	2	6,097	3003854
050 KMA 600 YD 90°	50	600	2	6,764	3003855
060 KMA 100 YD 90°	60	100	2	3,592	3003856
060 KMA 200 YD 90°	60	200	2	4,336	3003857
060 KMA 300 YD 90°	60	300	2	5,080	3003858
060 KMA 400 YD 90°	60	400	2	5,825	3003859
060 KMA 500 YD 90°	60	500	2	6,569	3003860
060 KMA 600 YD 90°	60	600	2	7,314	3003861
075 KMA 100 YD 90°	75	100	2	4,098	3003862
075 KMA 200 YD 90°	75	200	2	4,885	3003863
075 KMA 300 YD 90°	75	300	2	5,672	3003864
075 KMA 400 YD 90°	75	400	2	6,459	3003865
075 KMA 500 YD 90°	75	500	2	7,247	3003866
075 KMA 600 YD 90°	75	600	2	8,034	3003867
100 KMA 200 YD 90°	100	200	2	5,451	3003869
100 KMA 300 YD 90°	100	300	2	6,024	3003870
100 KMA 400 YD 90°	100	400	2	6,727	3003871
100 KMA 500 YD 90°	100	500	2	7,605	3003872
100 KMA 600 YD 90°	100	600	2	8,910	3003873
125 KMA 200 YD 90°	125	200	2	6,754	3000686
125 KMA 300 YD 90°	125	300	2	7,685	3000687
125 KMA 400 YD 90°	125	400	2	8,615	3000688
125 KMA 500 YD 90°	125	500	2	9,546	3000689
125 KMA 600 YD 90°	125	600	2	10,476	3000690
150 KMA 200 YD 90°	150	200	2	7,689	3000691
150 KMA 300 YD 90°	150	300	2	8,691	3000692
150 KMA 400 YD 90°	150	400	2	9,693	3000693
150 KMA 500 YD 90°	150	500	2	10,695	3000694
150 KMA 600 YD 90°	150	600	2	11,697	3000695



H=040, H=050, H=060 single row perforated.
 H=075 two row perforated.
 H=100 three rows perforated.
 H=125 four rows perforated
 H=150 five rows perforated.

Sample Order:
 Height (H): 75 mm,
 Tray Width (A,B): 500 mm,
 Sheet Metal Thickness (T): 2 mm,
 Type of Coating (S): Hot Dip Galvanized,
 Module Type: Horizontal Elbow Module.



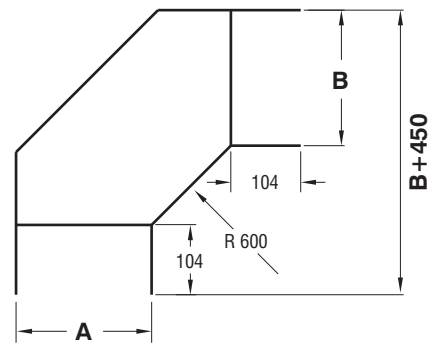
- Please indicate order code in your orders.
- Please contact us for special size.
- Material weights may vary by ± 10%

►► KMA HORIZONTAL ELBOW MODULE (90°) R=600

Hot Dip Galvanized After Fabrication (TS EN ISO 1461)

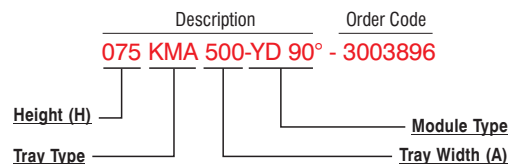
Description	H (mm)	AB (mm)	T (mm)	Weight (kg/pc)	Order Code
040 KMA 100 YD 90°	40	100	2	3,466	3003874
040 KMA 200 YD 90°	40	200	2	4,154	3003875
040 KMA 300 YD 90°	40	300	2	4,841	3003876
040 KMA 400 YD 90°	40	400	2	5,529	3003877
040 KMA 500 YD 90°	40	500	2	6,216	3003878
040 KMA 600 YD 90°	40	600	2	6,903	3003879
050 KMA 100 YD 90°	50	100	2	3,911	3003880
050 KMA 200 YD 90°	50	200	2	4,626	3003881
050 KMA 300 YD 90°	50	300	2	5,342	3003882
050 KMA 400 YD 90°	50	400	2	6,058	3003883
050 KMA 500 YD 90°	50	500	2	6,774	3003884
050 KMA 600 YD 90°	50	600	2	7,489	3003885
060 KMA 100 YD 90°	60	100	2	4,354	3003886
060 KMA 200 YD 90°	60	200	2	5,097	3003887
060 KMA 300 YD 90°	60	300	2	5,842	3003888
060 KMA 400 YD 90°	60	400	2	6,587	3003889
060 KMA 500 YD 90°	60	500	2	7,332	3003890
060 KMA 600 YD 90°	60	600	2	8,076	3003891
075 KMA 100 YD 90°	75	100	2	4,989	3003892
075 KMA 200 YD 90°	75	200	2	5,775	3003893
075 KMA 300 YD 90°	75	300	2	6,563	3003894
075 KMA 400 YD 90°	75	400	2	7,350	3003895
075 KMA 500 YD 90°	75	500	2	8,128	3003896
075 KMA 600 YD 90°	75	600	2	8,801	3003897
100 KMA 200 YD 90°	100	200	2	6,926	3003899
100 KMA 300 YD 90°	100	300	2	7,785	3003900
100 KMA 400 YD 90°	100	400	2	8,643	3003901
100 KMA 500 YD 90°	100	500	2	9,502	3003902
100 KMA 600 YD 90°	100	600	2	10,361	3003903
125 KMA 200 YD 90°	125	200	2	8,074	3000696
125 KMA 300 YD 90°	125	300	2	9,005	3000697
125 KMA 400 YD 90°	125	400	2	9,935	3000698
125 KMA 500 YD 90°	125	500	2	10,866	3000699
125 KMA 600 YD 90°	125	600	2	11,796	3000700
150 KMA 200 YD 90°	150	200	2	9,225	3000701
150 KMA 300 YD 90°	150	300	2	10,226	3000702
150 KMA 400 YD 90°	150	400	2	11,228	3000703
150 KMA 500 YD 90°	150	500	2	12,230	3000704
150 KMA 600 YD 90°	150	600	2	13,232	3000705

YD 90°



H=040, H=050, H=060 single row perforated.
 H=075 two row perforated.
 H=100 three rows perforated.
 H=125 four rows perforated
 H=150 five rows perforated.

Sample Order:
 Height (H): 75 mm,
 Tray Width (A,B): 500 mm,
 Sheet Metal Thickness (T): 2 mm,
 Type of Coating (S): Hot Dip Galvanized,
 Module Type: Horizontal Elbow Module.



- Please indicate order code in your orders.
- Please contact us for special size.
- Material weights may vary by ± 10%

▶▶ **KMA HORIZONTAL ELBOW MODULE COVER (90°) R=117**
Hot Dip Galvanized After Fabrication (TS EN ISO 1461)

Description	AB (mm)	T (mm)	Weight (kg/pc)	Order Code
KMA 100 YD COVER 90°	105	2	1,172	3005682
KMA 200 YD COVER 90°	205	2	2,487	3005678
KMA 300 YD COVER 90°	305	2	4,154	3005674
KMA 400 YD COVER 90°	405	2	6,167	3005672
KMA 500 YD COVER 90°	505	2	8,527	3005670
KMA 600 YD COVER 90°	605	2	11,235	3005668

▶▶ **KMA HORIZONTAL ELBOW MODULE COVER (90°) R=450**
Hot Dip Galvanized After Fabrication (TS EN ISO 1461)

Description	A (mm)	T (mm)	Weight (kg/pc)	Order Code
KMA 100 YD 90° COVER	105	2	0,970	3005041
KMA 200 YD 90° COVER	205	2	2,083	3005043
KMA 300 YD 90° COVER	305	2	3,481	3005045
KMA 400 YD 90° COVER	405	2	5,165	3005046
KMA 500 YD 90° COVER	505	2	7,136	3005047
KMA 600 YD 90° COVER	605	2	9,392	3005048

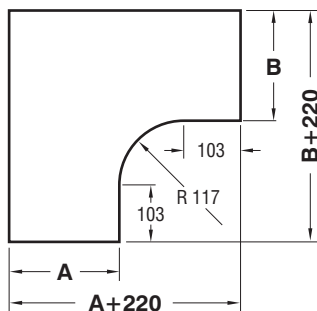
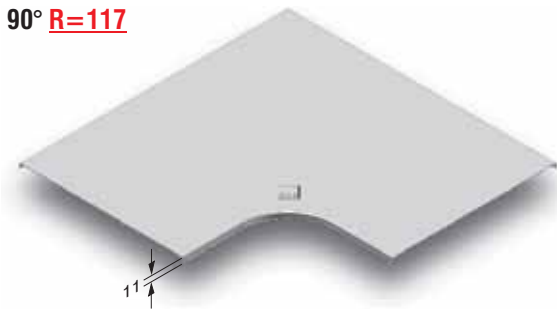
▶▶ **KMA HORIZONTAL ELBOW MODULE COVER (90°) R=300**
Hot Dip Galvanized After Fabrication (TS EN ISO 1461)

Description	A (mm)	T (mm)	Weight (kg/pc)	Order Code
KMA 100 YD 90° COVER	105	2	0,708	3005032
KMA 200 YD 90° COVER	205	2	1,606	3005034
KMA 300 YD 90° COVER	305	2	2,789	3005036
KMA 400 YD 90° COVER	405	2	4,259	3005037
KMA 500 YD 90° COVER	505	2	6,015	3005038
KMA 600 YD 90° COVER	605	2	8,057	3005039

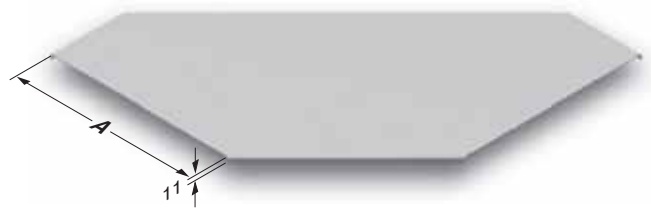
▶▶ **KMA HORIZONTAL ELBOW MODULE COVER (90°) R=600**
Hot Dip Galvanized After Fabrication (TS EN ISO 1461)

Description	A (mm)	T (mm)	Weight (kg/pc)	Order Code
KMA 100 YD 90° COVER	105	2	1,233	3005050
KMA 200 YD 90° COVER	205	2	2,560	3005052
KMA 300 YD 90° COVER	305	2	4,173	3005054
KMA 400 YD 90° COVER	405	2	6,072	3005055
KMA 500 YD 90° COVER	505	2	8,257	3005056
KMA 600 YD 90° COVER	605	2	10,729	3005057

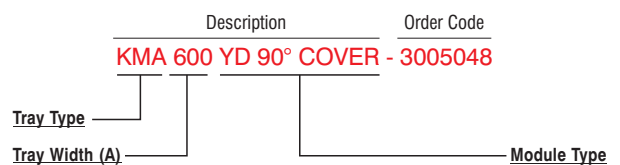
YD 90° R=117



YD 90° R=300 / R=450 / R=600



Sample Order:



■ Please indicate order code in your orders.

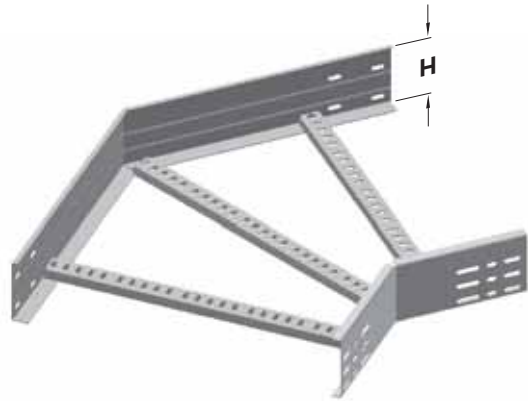
■ Material weights may vary by ± 10%

■ Please contact us for special size.

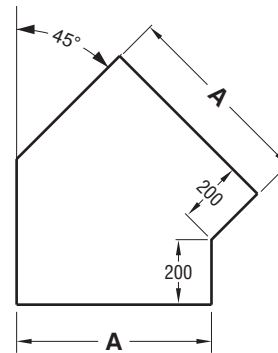
►► KMA HORIZONTAL ELBOW MODULE (45°)

Hot Dip Galvanized After Fabrication (TS EN ISO 1461)

Description	H (mm)	A (mm)	T (mm)	Weight (kg/pc)	Order Code
040 KMA 100 YD 45°	40	100	2	1,085	3001879
040 KMA 200 YD 45°	40	200	2	1,451	3001880
040 KMA 300 YD 45°	40	300	2	1,812	3001881
040 KMA 400 YD 45°	40	400	2	2,164	3001882
040 KMA 500 YD 45°	40	500	2	2,529	3001883
040 KMA 600 YD 45°	40	600	2	2,888	3001884
050 KMA 100 YD 45°	50	100	2	1,238	3001885
050 KMA 200 YD 45°	50	200	2	1,618	3001886
050 KMA 300 YD 45°	50	300	2	1,995	3001887
050 KMA 400 YD 45°	50	400	2	2,372	3001888
050 KMA 500 YD 45°	50	500	2	2,743	3001889
050 KMA 600 YD 45°	50	600	2	3,130	3001890
060 KMA 100 YD 45°	60	100	2	1,388	3001891
060 KMA 200 YD 45°	60	200	2	1,783	3001892
060 KMA 300 YD 45°	60	300	2	2,174	3001893
060 KMA 400 YD 45°	60	400	2	2,565	3001894
060 KMA 500 YD 45°	60	500	2	2,960	3001895
060 KMA 600 YD 45°	60	600	2	3,351	3001896
075 KMA 100 YD 45°	75	100	2	1,594	3001897
075 KMA 200 YD 45°	75	200	2	2,010	3001898
075 KMA 300 YD 45°	75	300	2	2,423	3001899
075 KMA 400 YD 45°	75	400	2	2,836	3001900
075 KMA 500 YD 45°	75	500	2	3,252	3001901
075 KMA 600 YD 45°	75	600	2	3,664	3001902
100 KMA 200 YD 45°	100	200	2	2,404	3001903
100 KMA 300 YD 45°	100	300	2	2,851	3001904
100 KMA 400 YD 45°	100	400	2	3,300	3001905
100 KMA 500 YD 45°	100	500	2	3,752	3001906
100 KMA 600 YD 45°	100	600	2	4,576	3001907
125 KMA 200 YD 45°	125	200	2	2,795	3002433
125 KMA 300 YD 45°	125	300	2	3,142	3002434
125 KMA 400 YD 45°	125	400	2	3,446	3002435
125 KMA 500 YD 45°	125	500	2	3,780	3002436
125 KMA 600 YD 45°	125	600	2	4,114	3002437
150 KMA 200 YD 45°	150	200	2	3,205	3002438
150 KMA 300 YD 45°	150	300	2	3,588	3002439
150 KMA 400 YD 45°	150	400	2	3,926	3002440
150 KMA 500 YD 45°	150	500	2	4,296	3002441
150 KMA 600 YD 45°	150	600	2	4,664	3002442



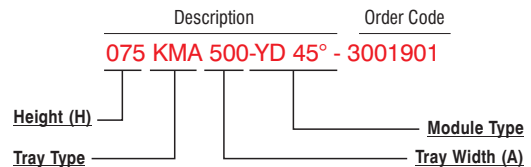
YD



H=040, H=050, H=060 single row perforated.
 H=075 two row perforated.
 H=100 three rows perforated.
 H=125 four rows perforated
 H=150 five rows perforated.

Sample Order:

Height (H): 75 mm,
 Tray Width (A): 500 mm,
 Sheet Metal Thickness (T): 2 mm,
 Type of Coating (S): Hot Dip Galvanized,
 Module Type: Horizontal Elbow Module.

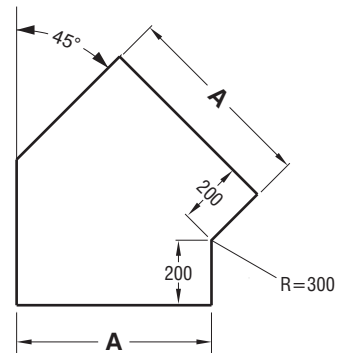
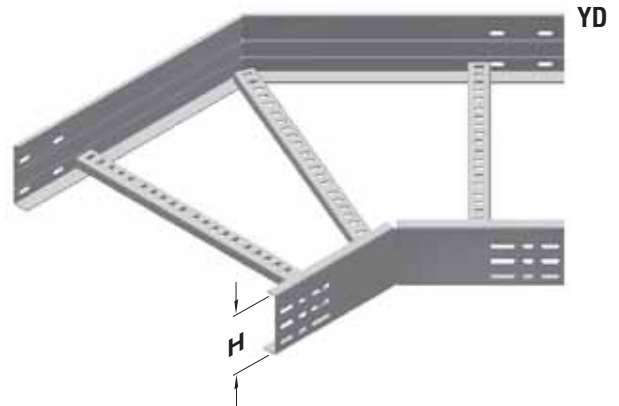


- Please indicate order code in your orders.
- Please contact us for special size.
- Material weights may vary by ± 10%

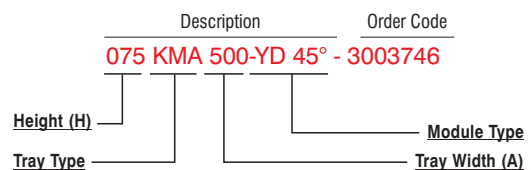
►► KMA HORIZONTAL ELBOW MODULE (45°) R=300

Hot Dip Galvanized After Fabrication (TS EN ISO 1461)

Description	H (mm)	A (mm)	T (mm)	Weight (kg/pc)	Order Code
040 KMA 100 YD 45°	40	100	2	1,063	3003724
040 KMA 200 YD 45°	40	200	2	1,334	3003725
040 KMA 300 YD 45°	40	300	2	1,606	3003726
040 KMA 400 YD 45°	40	400	2	1,878	3003727
040 KMA 500 YD 45°	40	500	2	2,149	3003728
040 KMA 600 YD 45°	40	600	2	2,421	3003729
050 KMA 100 YD 45°	50	100	2	1,191	3003730
050 KMA 200 YD 45°	50	200	2	1,474	3003731
050 KMA 300 YD 45°	50	300	2	1,757	3003732
050 KMA 400 YD 45°	50	400	2	2,039	3003733
050 KMA 500 YD 45°	50	500	2	2,322	3003734
050 KMA 600 YD 45°	50	600	2	2,604	3003735
060 KMA 100 YD 45°	60	100	2	1,321	3003736
060 KMA 200 YD 45°	60	200	2	1,614	3003737
060 KMA 300 YD 45°	60	300	2	1,907	3003738
060 KMA 400 YD 45°	60	400	2	2,200	3003739
060 KMA 500 YD 45°	60	500	2	2,494	3003740
060 KMA 600 YD 45°	60	600	2	2,787	3003741
075 KMA 100 YD 45°	75	100	2	1,492	3003742
075 KMA 200 YD 45°	75	200	2	1,801	3003743
075 KMA 300 YD 45°	75	300	2	2,111	3003744
075 KMA 400 YD 45°	75	400	2	2,420	3003745
075 KMA 500 YD 45°	75	500	2	2,729	3003746
075 KMA 600 YD 45°	75	600	2	3,038	3003747
100 KMA 200 YD 45°	100	200	2	2,129	3003749
100 KMA 300 YD 45°	100	300	2	2,464	3003750
100 KMA 400 YD 45°	100	400	2	2,801	3003751
100 KMA 500 YD 45°	100	500	2	3,136	3003752
100 KMA 600 YD 45°	100	600	2	3,473	3003753
125 KMA 200 YD 45°	125	200	2	2,455	3000646
125 KMA 300 YD 45°	125	300	2	2,817	3000647
125 KMA 400 YD 45°	125	400	2	3,180	3000648
125 KMA 500 YD 45°	125	500	2	3,540	3000649
125 KMA 600 YD 45°	125	600	2	3,906	3000650
150 KMA 200 YD 45°	150	200	2	2,782	3000651
150 KMA 300 YD 45°	150	300	2	3,171	3000652
150 KMA 400 YD 45°	150	400	2	3,561	3000653
150 KMA 500 YD 45°	150	500	2	3,951	3000654
150 KMA 600 YD 45°	150	600	2	4,341	3000655



Sample Order:
 Height (H): 75 mm,
 Tray Width (A): 500 mm,
 Sheet Metal Thickness (T): 2 mm,
 Type of Coating (S): Hot Dip Galvanized,
 Module Type: Horizontal Elbow Module 45°.

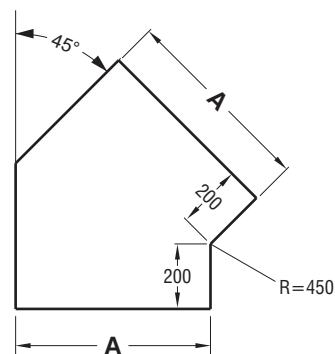
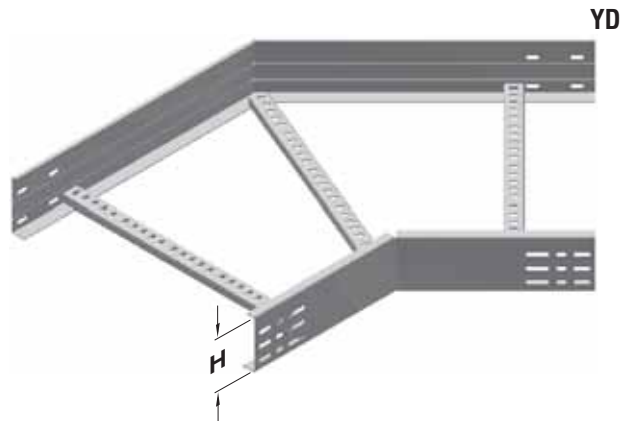


- Please indicate order code in your orders.
- Please contact us for special size.
- Material weights may vary by ± 10%

►► KMA HORIZONTAL ELBOW MODULE (45°) R=450

Hot Dip Galvanized After Fabrication (TS EN ISO 1461)

Description	H (mm)	A (mm)	T (mm)	Weight (kg/pc)	Order Code
040 KMA 100 YD 45°	40	100	2	1,397	3003754
040 KMA 200 YD 45°	40	200	2	1,752	3003755
040 KMA 300 YD 45°	40	300	2	2,123	3003756
040 KMA 400 YD 45°	40	400	2	2,493	3003757
040 KMA 500 YD 45°	40	500	2	2,881	3003758
040 KMA 600 YD 45°	40	600	2	3,233	3003759
050 KMA 100 YD 45°	50	100	2	1,559	3003760
050 KMA 200 YD 45°	50	200	2	1,924	3003761
050 KMA 300 YD 45°	50	300	2	2,306	3003762
050 KMA 400 YD 45°	50	400	2	2,686	3003763
050 KMA 500 YD 45°	50	500	2	3,084	3003764
050 KMA 600 YD 45°	50	600	2	3,447	3003765
060 KMA 100 YD 45°	60	100	2	1,719	3003766
060 KMA 200 YD 45°	60	200	2	2,097	3003767
060 KMA 300 YD 45°	60	300	2	2,488	3003768
060 KMA 400 YD 45°	60	400	2	2,880	3003769
060 KMA 500 YD 45°	60	500	2	3,289	3003770
060 KMA 600 YD 45°	60	600	2	3,663	3003771
075 KMA 100 YD 45°	75	100	2	1,938	3003772
075 KMA 200 YD 45°	75	200	2	2,332	3003773
075 KMA 300 YD 45°	75	300	2	2,739	3003774
075 KMA 400 YD 45°	75	400	2	3,147	3003775
075 KMA 500 YD 45°	75	500	2	3,573	3003776
075 KMA 600 YD 45°	75	600	2	3,962	3003777
100 KMA 200 YD 45°	100	200	2	2,739	3003779
100 KMA 300 YD 45°	100	300	2	3,174	3003780
100 KMA 400 YD 45°	100	400	2	3,609	3003781
100 KMA 500 YD 45°	100	500	2	4,060	3003782
100 KMA 600 YD 45°	100	600	2	4,477	3003783
125 KMA 200 YD 45°	125	200	2	3,146	3000656
125 KMA 300 YD 45°	125	300	2	3,608	3000657
125 KMA 400 YD 45°	125	400	2	4,069	3000658
125 KMA 500 YD 45°	125	500	2	4,547	3000659
125 KMA 600 YD 45°	125	600	2	4,992	3000660
150 KMA 200 YD 45°	150	200	2	3,553	3000661
150 KMA 300 YD 45°	150	300	2	4,041	3000662
150 KMA 400 YD 45°	150	400	2	4,531	3000663
150 KMA 500 YD 45°	150	500	2	5,036	3000664
150 KMA 600 YD 45°	150	600	2	5,507	3000665



Sample Order:

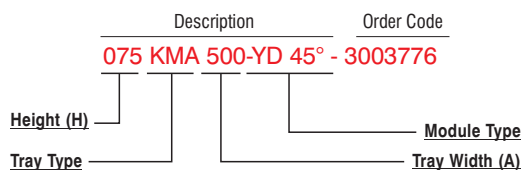
Height (H): 75 mm,

Tray Width (A): 500 mm,

Sheet Metal Thickness (T): 2 mm,

Type of Coating (S): Hot Dip Galvanized,

Module Type: Horizontal Elbow Module 45°.



■ Please indicate order code in your orders.

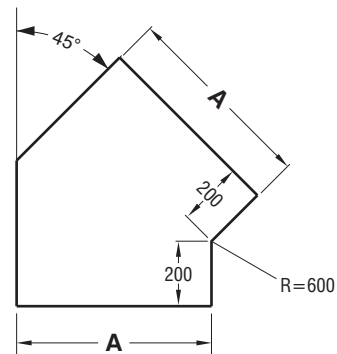
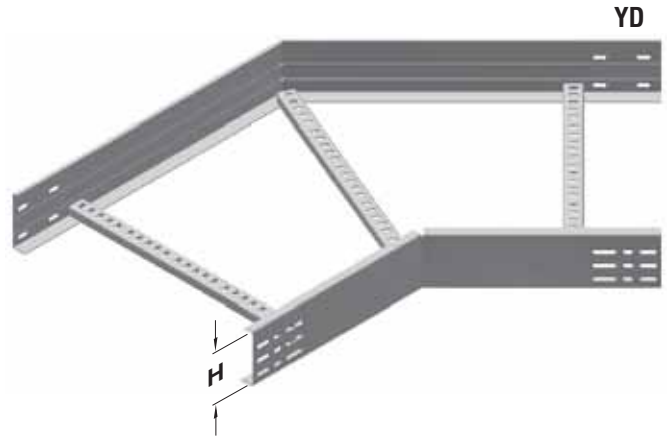
■ Please contact us for special size.

■ Material weights may vary by ± 10%

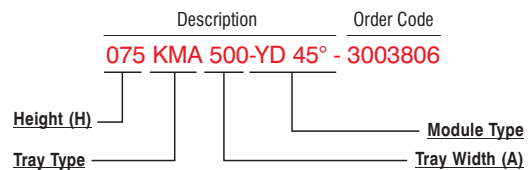
►► KMA HORIZONTAL ELBOW MODULE (45°) R=600

Hot Dip Galvanized After Fabrication (TS EN ISO 1461)

Description	H (mm)	A (mm)	T (mm)	Weight (kg/pc)	Order Code
040 KMA 100 YD 45°	40	100	2	1,625	3003784
040 KMA 200 YD 45°	40	200	2	1,980	3003785
040 KMA 300 YD 45°	40	300	2	2,351	3003786
040 KMA 400 YD 45°	40	400	2	2,721	3003787
040 KMA 500 YD 45°	40	500	2	3,109	3003788
040 KMA 600 YD 45°	40	600	2	3,461	3003789
050 KMA 100 YD 45°	50	100	2	1,818	3003790
050 KMA 200 YD 45°	50	200	2	2,185	3003791
050 KMA 300 YD 45°	50	300	2	2,565	3003792
050 KMA 400 YD 45°	50	400	2	2,947	3003793
050 KMA 500 YD 45°	50	500	2	3,345	3003794
050 KMA 600 YD 45°	50	600	2	3,708	3003795
060 KMA 100 YD 45°	60	100	2	2,012	3003796
060 KMA 200 YD 45°	60	200	2	2,389	3003797
060 KMA 300 YD 45°	60	300	2	2,781	3003798
060 KMA 400 YD 45°	60	400	2	3,172	3003799
060 KMA 500 YD 45°	60	500	2	3,582	3003800
060 KMA 600 YD 45°	60	600	2	3,956	3003801
075 KMA 100 YD 45°	75	100	2	2,279	3003802
075 KMA 200 YD 45°	75	200	2	2,672	3003803
075 KMA 300 YD 45°	75	300	2	3,080	3003804
075 KMA 400 YD 45°	75	400	2	3,488	3003805
075 KMA 500 YD 45°	75	500	2	3,913	3003806
075 KMA 600 YD 45°	75	600	2	4,303	3003807
100 KMA 200 YD 45°	100	200	2	3,160	3003809
100 KMA 300 YD 45°	100	300	2	3,595	3003810
100 KMA 400 YD 45°	100	400	2	4,030	3003811
100 KMA 500 YD 45°	100	500	2	4,481	3003812
100 KMA 600 YD 45°	100	600	2	4,898	3003813
125 KMA 200 YD 45°	125	200	2	3,648	3000666
125 KMA 300 YD 45°	125	300	2	4,110	3000667
125 KMA 400 YD 45°	125	400	2	4,572	3000668
125 KMA 500 YD 45°	125	500	2	5,049	3000669
125 KMA 600 YD 45°	125	600	2	5,493	3000670
150 KMA 200 YD 45°	150	200	2	4,136	3000671
150 KMA 300 YD 45°	150	300	2	4,623	3000672
150 KMA 400 YD 45°	150	400	2	5,113	3000673
150 KMA 500 YD 45°	150	500	2	5,618	3000674
150 KMA 600 YD 45°	150	600	2	6,089	3000675



Sample Order:
 Height (H): 75 mm,
 Tray Width (A): 500 mm,
 Sheet Metal Thickness (T): 2 mm,
 Type of Coating (S): Hot Dip Galvanized,
 Module Type: Horizontal Elbow Module 45°.



- Please indicate order code in your orders.
- Please contact us for special size.
- Material weights may vary by ± 10%

▶▶ **KMA HORIZONTAL ELBOW MODULE COVER (45°) R=117**
Hot Dip Galvanized After Fabrication (TS EN ISO 1461)

Description	A (mm)	T (mm)	Weight (kg./pc.)	Order Code
KMA 100 YD COVER 45°	105	2	0,908	3001936
KMA 200 YD COVER 45°	205	2	1,662	3001938
KMA 300 YD COVER 45°	305	2	2,627	3001940
KMA 400 YD COVER 45°	405	2	3,723	3001941
KMA 500 YD COVER 45°	505	2	4,949	3001942
KMA 600 YD COVER 45°	605	2	6,305	3001943

▶▶ **KMA HORIZONTAL ELBOW MODULE COVER (45°) R=450**
Hot Dip Galvanized After Fabrication (TS EN ISO 1461)

Description	A (mm)	T (mm)	Weight (kg./pc.)	Order Code
KMA 100 YD 45° COVER	105	2	0,879	3005014
KMA 200 YD 45° COVER	205	2	1,757	3005016
KMA 300 YD 45° COVER	305	2	2,778	3005018
KMA 400 YD 45° COVER	405	2	3,942	3005019
KMA 500 YD 45° COVER	505	2	5,249	3005020
KMA 600 YD 45° COVER	605	2	6,700	3005021

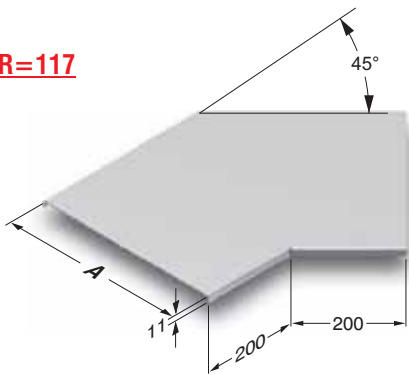
▶▶ **KMA HORIZONTAL ELBOW MODULE COVER (45°) R=300**
Hot Dip Galvanized After Fabrication (TS EN ISO 1461)

Description	A (mm)	T (mm)	Weight (kg./pc.)	Order Code
KMA 100 YD 45° COVER	105	2	0,623	3005005
KMA 200 YD 45° COVER	205	2	1,279	3005007
KMA 300 YD 45° COVER	305	2	2,086	3005009
KMA 400 YD 45° COVER	405	2	3,036	3005010
KMA 500 YD 45° COVER	505	2	4,128	3005011
KMA 600 YD 45° COVER	605	2	5,364	3005012

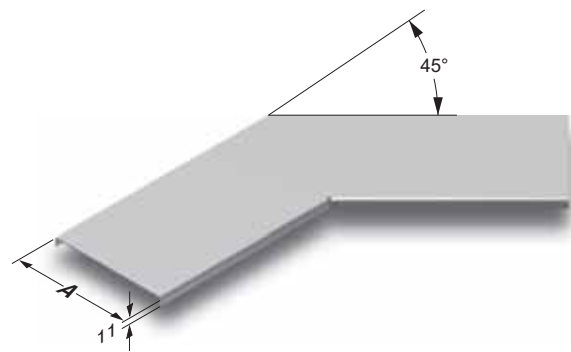
▶▶ **KMA HORIZONTAL ELBOW MODULE COVER (45°) R=600**
Hot Dip Galvanized After Fabrication (TS EN ISO 1461)

Description	A (mm)	T (mm)	Weight (kg./pc.)	Order Code
KMA 100 YD 45° COVER	105	2	1,142	3005023
KMA 200 YD 45° COVER	205	2	2,234	3005025
KMA 300 YD 45° COVER	305	2	3,469	3005027
KMA 400 YD 45° COVER	405	2	4,849	3005028
KMA 500 YD 45° COVER	505	2	6,370	3005029
KMA 600 YD 45° COVER	605	2	8,035	3005030

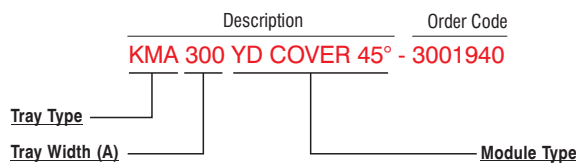
YD 45° R=117



YD 45° R=300 / R=450 / R=600



Sample Order:



■ Please indicate order code in your orders.

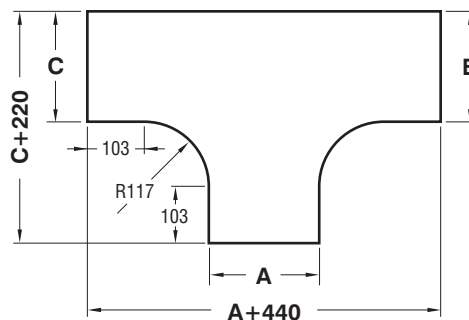
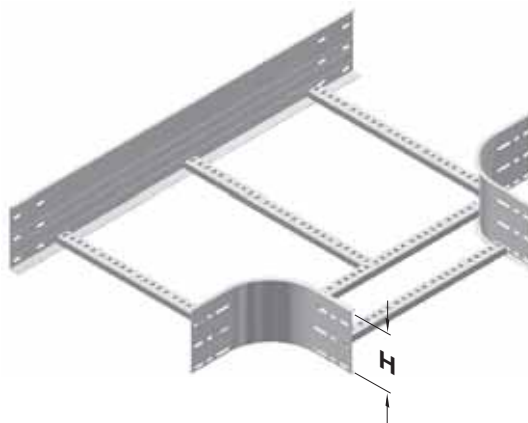
■ Material weights may vary by ± 10%

■ Please contact us for special size.

►► KMA "T" MODULE $R=117$
Hot Dip Galvanized After Fabrication (TS EN ISO 1461)

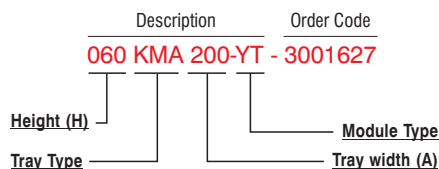
Description	H (mm)	ABC (mm)	T (mm)	Weight (kg/pc)	Order Code
040 KMA 100 YT	40	100	2	1,534	3001614
040 KMA 200 YT	40	200	2	2,024	3001615
040 KMA 300 YT	40	300	2	2,509	3001616
040 KMA 400 YT	40	400	2	3,358	3001617
040 KMA 500 YT	40	500	2	4,402	3001618
040 KMA 600 YT	40	600	2	5,074	3001619
050 KMA 100 YT	50	100	2	1,694	3001620
050 KMA 200 YT	50	200	2	2,200	3001621
050 KMA 300 YT	50	300	2	2,702	3001622
050 KMA 400 YT	50	400	2	3,569	3001623
050 KMA 500 YT	50	500	2	4,631	3001624
050 KMA 600 YT	50	600	2	5,319	3001625
060 KMA 100 YT	60	100	2	1,853	3001626
060 KMA 200 YT	60	200	2	2,377	3001627
060 KMA 300 YT	60	300	2	2,896	3001628
060 KMA 400 YT	60	400	2	3,780	3001629
060 KMA 500 YT	60	500	2	4,858	3001630
060 KMA 600 YT	60	600	2	5,565	3001631
075 KMA 100 YT	75	100	2	2,060	3001632
075 KMA 200 YT	75	200	2	2,610	3001633
075 KMA 300 YT	75	300	2	3,156	3001634
075 KMA 400 YT	75	400	2	4,065	3001635
075 KMA 500 YT	75	500	2	5,170	3001636
075 KMA 600 YT	75	600	2	5,902	3001637
100 KMA 200 YT	100	200	2	3,020	3001638
100 KMA 300 YT	100	300	2	3,609	3001639
100 KMA 400 YT	100	400	2	4,563	3001640
100 KMA 500 YT	100	500	2	5,710	3001641
100 KMA 600 YT	100	600	2	6,484	3001642
125 KMA 200 YT	125	200	2	4,092	3002453
125 KMA 300 YT	125	300	2	4,865	3002454
125 KMA 400 YT	125	400	2	5,457	3002455
125 KMA 500 YT	125	500	2	6,499	3002456
125 KMA 600 YT	125	600	2	7,742	3002457
150 KMA 200 YT	150	200	2	4,692	3002458
150 KMA 300 YT	150	300	2	5,505	3002459
150 KMA 400 YT	150	400	2	6,139	3002460
150 KMA 500 YT	150	500	2	7,205	3002461
150 KMA 600 YT	150	600	2	8,489	3002462

YT



H=040, H=050, H=060 single row perforated.
 H=075 two row perforated.
 H=100 three rows perforated.
 H=125 four rows perforated
 H=150 five rows perforated

Sample Order:
 Height (H): 60 mm,
 Tray Width (A,B,C): 200 mm,
 Sheet Metal Thickness (T): 2 mm,
 Type of Coating (S): Hot Dip Galvanized,
 Module Type: "T" Module.



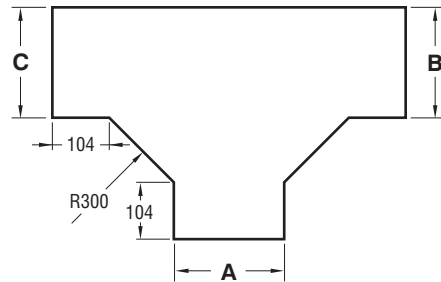
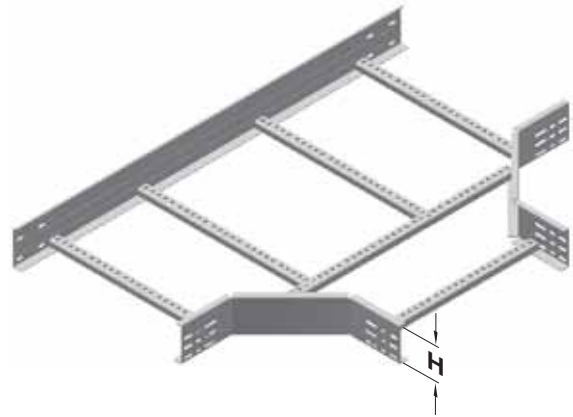
- Please indicate order code in your orders.
- Please contact us for special size.
- Material weights may vary by $\pm 10\%$

▶▶ KMA "T" MODULE **R=300**

Hot Dip Galvanized After Fabrication (TS EN ISO 1461)

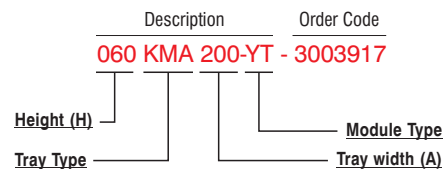
Description	H (mm)	ABC (mm)	T (mm)	Weight (kg/pc)	Order Code
040 KMA 100 YT	40	100	2	3,281	3003904
040 KMA 200 YT	40	200	2	3,876	3003905
040 KMA 300 YT	40	300	2	4,742	3003906
040 KMA 400 YT	40	400	2	5,429	3003907
040 KMA 500 YT	40	500	2	6,115	3003908
040 KMA 600 YT	40	600	2	6,801	3003909
050 KMA 100 YT	50	100	2	3,680	3003910
050 KMA 200 YT	50	200	2	4,292	3003911
050 KMA 300 YT	50	300	2	5,176	3003912
050 KMA 400 YT	50	400	2	5,880	3003913
050 KMA 500 YT	50	500	2	6,582	3003914
050 KMA 600 YT	50	600	2	7,286	3003915
060 KMA 100 YT	60	100	2	4,079	3003916
060 KMA 200 YT	60	200	2	4,708	3003917
060 KMA 300 YT	60	300	2	5,609	3003918
060 KMA 400 YT	60	400	2	6,329	3003919
060 KMA 500 YT	60	500	2	7,051	3003920
060 KMA 600 YT	60	600	2	7,772	3003921
075 KMA 100 YT	75	100	2	4,718	3003922
075 KMA 200 YT	75	200	2	5,465	3003923
075 KMA 300 YT	75	300	2	6,212	3003924
075 KMA 400 YT	75	400	2	6,958	3003925
075 KMA 500 YT	75	500	2	7,704	3003926
075 KMA 600 YT	75	600	2	8,451	3003927
100 KMA 200 YT	100	200	2	6,278	3003929
100 KMA 300 YT	100	300	2	7,248	3003930
100 KMA 400 YT	100	400	2	8,038	3003931
100 KMA 500 YT	100	500	2	8,591	3003932
100 KMA 600 YT	100	600	2	9,257	3003933
125 KMA 200 YT	125	200	2	7,484	3000706
125 KMA 300 YT	125	300	2	8,318	3000707
125 KMA 400 YT	125	400	2	9,151	3000708
125 KMA 500 YT	125	500	2	9,984	3000709
125 KMA 600 YT	125	600	2	10,817	3000710
150 KMA 200 YT	150	200	2	8,441	3000711
150 KMA 300 YT	150	300	2	9,318	3000712
150 KMA 400 YT	150	400	2	10,194	3000713
150 KMA 500 YT	150	500	2	11,070	3000714
150 KMA 600 YT	150	600	2	11,375	3000715

YT



H=040, H=050, H=060 single row perforated.
 H=075 two row perforated.
 H=100 three rows perforated.
 H=125 four rows perforated
 H=150 five rows perforated.

Sample Order:
 Height (H): 60 mm,
 Tray Width (A,B,C): 200 mm,
 Sheet Metal Thickness (T): 2 mm,
 Type of Coating (S): Hot Dip Galvanized,
 Module Type: "T" Module.

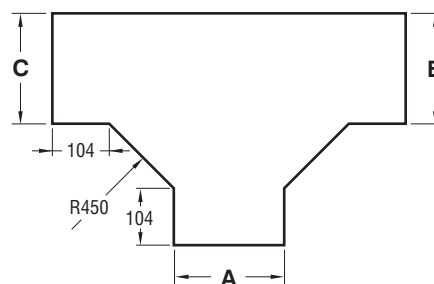


- Please indicate order code in your orders.
- Please contact us for special size.
- Material weights may vary by ± 10%

►► KMA "T" MODULE R=450
Hot Dip Galvanized After Fabrication (TS EN ISO 1461)

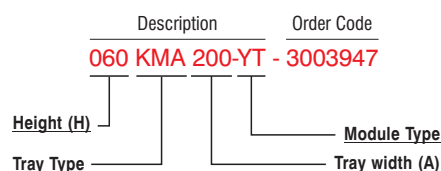
Description	H (mm)	ABC (mm)	T (mm)	Weight (kg/pc)	Order Code
040 KMA 100 YT	40	100	2	4,444	3003934
040 KMA 200 YT	40	200	2	5,130	3003935
040 KMA 300 YT	40	300	2	5,816	3003936
040 KMA 400 YT	40	400	2	6,864	3003937
040 KMA 500 YT	40	500	2	7,642	3003938
040 KMA 600 YT	40	600	2	8,419	3003939
050 KMA 100 YT	50	100	2	4,980	3003940
050 KMA 200 YT	50	200	2	5,684	3003941
050 KMA 300 YT	50	300	2	6,387	3003942
050 KMA 400 YT	50	400	2	7,453	3003943
050 KMA 500 YT	50	500	2	8,247	3003944
050 KMA 600 YT	50	600	2	9,042	3003945
060 KMA 100 YT	60	100	2	5,513	3003946
060 KMA 200 YT	60	200	2	6,237	3003947
060 KMA 300 YT	60	300	2	6,958	3003948
060 KMA 400 YT	60	400	2	8,041	3003949
060 KMA 500 YT	60	500	2	8,853	3003950
060 KMA 600 YT	60	600	2	9,665	3003951
075 KMA 100 YT	75	100	2	6,273	3003952
075 KMA 200 YT	75	200	2	7,020	3003953
075 KMA 300 YT	75	300	2	7,767	3003954
075 KMA 400 YT	75	400	2	8,875	3003955
075 KMA 500 YT	75	500	2	9,713	3003956
075 KMA 600 YT	75	600	2	10,539	3003957
100 KMA 200 YT	100	200	2	8,357	3003959
100 KMA 300 YT	100	300	2	9,649	3003960
100 KMA 400 YT	100	400	2	10,299	3003961
100 KMA 500 YT	100	500	2	11,179	3003962
100 KMA 600 YT	100	600	2	12,060	3003963
125 KMA 200 YT	125	200	2	9,693	3000716
125 KMA 300 YT	125	300	2	10,526	3000717
125 KMA 400 YT	125	400	2	11,721	3000718
125 KMA 500 YT	125	500	2	12,645	3000719
125 KMA 600 YT	125	600	2	13,569	3000720
150 KMA 200 YT	150	200	2	11,029	3000721
150 KMA 300 YT	150	300	2	11,905	3000722
150 KMA 400 YT	150	400	2	13,144	3000723
150 KMA 500 YT	150	500	2	14,111	3000724
150 KMA 600 YT	150	600	2	14,748	3000725

YT



H=040, H=050, H=060 single row perforated.
 H=075 two row perforated.
 H=100 three rows perforated.
 H=125 four rows perforated
 H=150 five rows perforated.

Sample Order:
 Height (H): 60 mm,
 Tray Width (A,B,C): 200 mm,
 Sheet Metal Thickness (T): 2 mm,
 Type of Coating (S): Hot Dip Galvanized,
 Module Type: "T" Module.



- Please indicate order code in your orders.
- Please contact us for special size.
- Material weights may vary by ± 10%

▶▶ KMA "T" MODULE COVER R=117
Hot Dip Galvanized After Fabrication (TS EN ISO 1461)

Description	ABC (mm)	T (mm)	Weight (kg/pc)	Order Code
KMA 100 YT COVER	105	2	1,724	3005666
KMA 200 YT COVER	205	2	3,424	3005662
KMA 300 YT COVER	305	2	5,473	3005658
KMA 400 YT COVER	405	2	7,868	3005656
KMA 500 YT COVER	505	2	10,611	3005654
KMA 600 YT COVER	605	2	13,701	3005652

▶▶ KMA "T" MODULE COVER R=450
Hot Dip Galvanized After Fabrication (TS EN ISO 1461)

Description	A (mm)	T (mm)	Weight (kg/pc)	Order Code
KMA 100 YT COVER	105	2	3,031	3005068
KMA 200 YT COVER	205	2	4,947	3005070
KMA 300 YT COVER	305	2	7,208	3005072
KMA 400 YT COVER	405	2	8,935	3005073
KMA 500 YT COVER	505	2	12,768	3005074
KMA 600 YT COVER	605	2	16,066	3005075

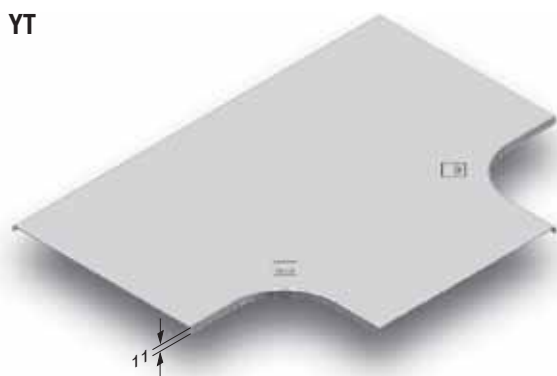
▶▶ KMA "T" MODULE COVER R=300
Hot Dip Galvanized After Fabrication (TS EN ISO 1461)

Description	A (mm)	T (mm)	Weight (kg/pc)	Order Code
KMA 100 YT COVER	105	2	1,823	3005059
KMA 200 YT COVER	205	2	3,284	3005061
KMA 300 YT COVER	305	2	5,090	3005063
KMA 400 YT COVER	405	2	7,241	3005064
KMA 500 YT COVER	505	2	9,738	3005065
KMA 600 YT COVER	605	2	12,581	3005066

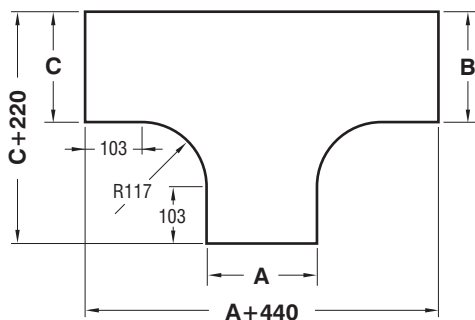
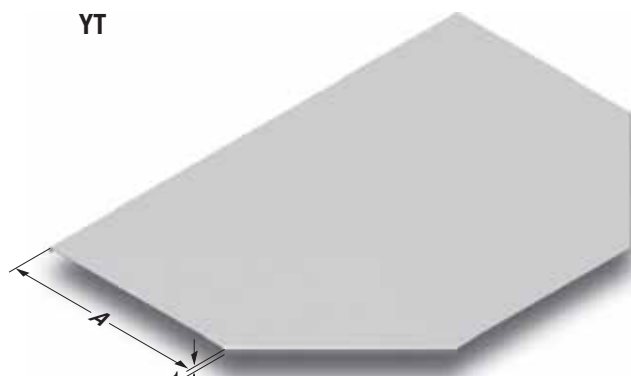
▶▶ KMA "T" MODULE COVER R=600
Hot Dip Galvanized After Fabrication (TS EN ISO 1461)

Description	A (mm)	T (mm)	Weight (kg/pc)	Order Code
KMA 100 YT COVER	105	2	4,506	3005077
KMA 200 YT COVER	205	2	6,877	3005079
KMA 300 YT COVER	305	2	9,594	3005081
KMA 400 YT COVER	405	2	12,657	3005082
KMA 500 YT COVER	505	2	16,064	3005083
KMA 600 YT COVER	605	2	19,818	3005084

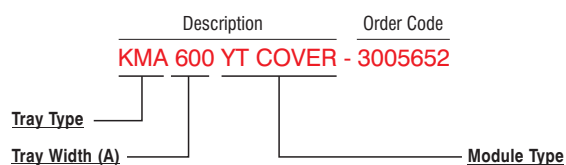
YT



YT



Sample Order:



■ Please indicate order code in your orders.

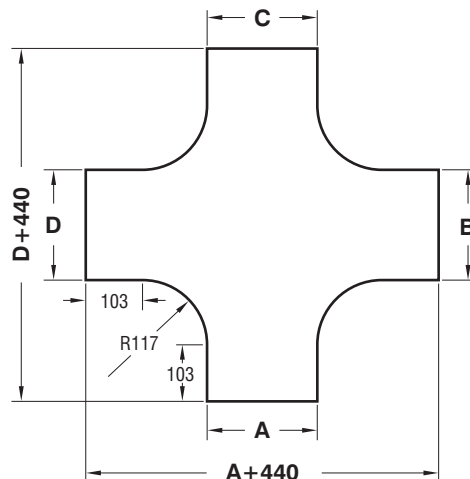
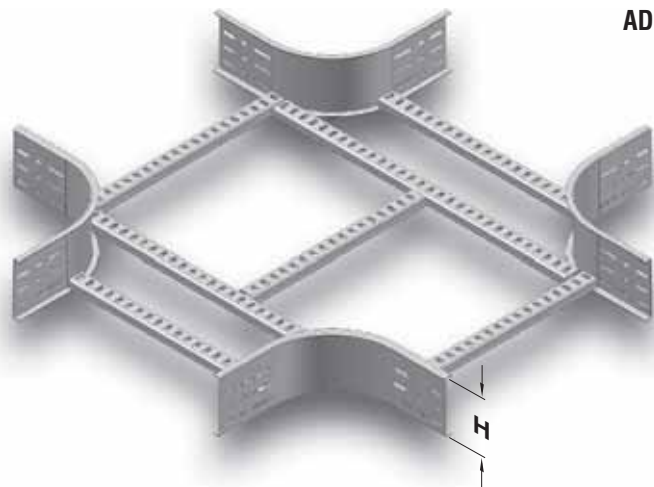
■ Material weights may vary by ± 10%

■ Please contact us for special size.

►► KMA "+" CONNECTION MODULE R=117

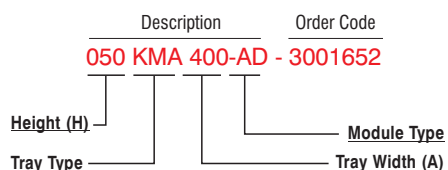
Hot Dip Galvanized After Fabrication (TS EN ISO 1461)

Description	H (mm)	ABCD (mm)	T (mm)	Weight (kg/pc)	Order Code
040 KMA 100 AD	40	100	2	1,964	3001643
040 KMA 200 AD	40	200	2	2,470	3001644
040 KMA 300 AD	40	300	2	2,895	3001645
040 KMA 400 AD	40	400	2	3,984	3001646
040 KMA 500 AD	40	500	2	4,586	3001647
040 KMA 600 AD	40	600	2	5,181	3001648
050 KMA 100 AD	50	100	2	2,204	3001649
050 KMA 200 AD	50	200	2	2,710	3001650
050 KMA 300 AD	50	300	2	3,135	3001651
050 KMA 400 AD	50	400	2	4,224	3001652
050 KMA 500 AD	50	500	2	4,826	3001653
050 KMA 600 AD	50	600	2	5,421	3001654
060 KMA 100 AD	60	100	2	2,444	3001655
060 KMA 200 AD	60	200	2	2,950	3001656
060 KMA 300 AD	60	300	2	3,375	3001657
060 KMA 400 AD	60	400	2	4,464	3001658
060 KMA 500 AD	60	500	2	5,066	3001659
060 KMA 600 AD	60	600	2	5,661	3001660
075 KMA 100 AD	75	100	2	2,752	3001661
075 KMA 200 AD	75	200	2	3,258	3001662
075 KMA 300 AD	75	300	2	3,683	3001663
075 KMA 400 AD	75	400	2	4,772	3001664
075 KMA 500 AD	75	500	2	5,374	3001665
075 KMA 600 AD	75	600	2	5,969	3001666
100 KMA 200 AD	100	200	2	3,806	3001667
100 KMA 300 AD	100	300	2	4,231	3001668
100 KMA 400 AD	100	400	2	5,320	3001669
100 KMA 500 AD	100	500	2	5,922	3001670
100 KMA 600 AD	100	600	2	6,517	3001671
125 KMA 200 AD	125	200	2	4,631	3002463
125 KMA 300 AD	125	300	2	5,565	3002464
125 KMA 400 AD	125	400	2	6,112	3002465
125 KMA 500 AD	125	500	2	7,539	3002466
125 KMA 600 AD	125	600	2	8,281	3002467
150 KMA 200 AD	150	200	2	5,301	3002468
150 KMA 300 AD	150	300	2	6,244	3002469
150 KMA 400 AD	150	400	2	6,794	3002470
150 KMA 500 AD	150	500	2	8,207	3002471
150 KMA 600 AD	150	600	2	8,954	3002472



H=040, H=050, H=060 single row perforated.
 H=075 two row perforated.
 H=100 three rows perforated.
 H=125 four rows perforated.
 H=150 five rows perforated.

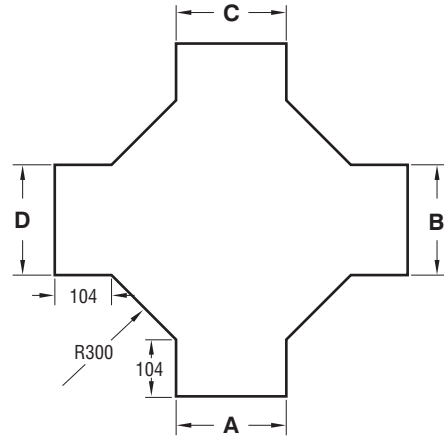
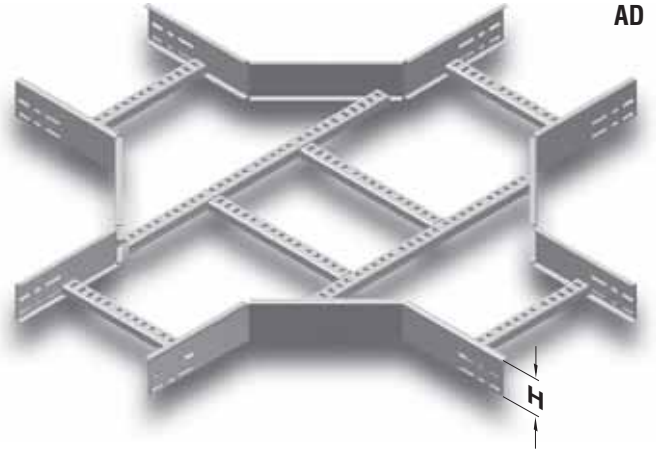
Sample Order:
 Height (H): 50 mm,
 Tray Width (A,B,C,D): 400 mm,
 Sheet Metal Thickness (T): 2 mm,
 Type of Coating (S): Hot Dip Galvanized,
 Module Type: "+" Connection Module.



- Please indicate order code in your orders.
- Please contact us for special size.
- Material weights may vary by ± 10%

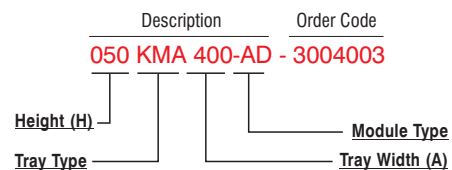
►► KMA "+" CONNECTION MODULE R=300 Hot Dip Galvanized After Fabrication (TS EN ISO 1461)

Description	H (mm)	ABCD (mm)	T (mm)	Weight (kg/pc)	Order Code
040 KMA 100 AD	40	100	2	3,810	3003994
040 KMA 200 AD	40	200	2	4,627	3003995
040 KMA 300 AD	40	300	2	5,355	3003996
040 KMA 400 AD	40	400	2	6,083	3003997
040 KMA 500 AD	40	500	2	6,811	3003998
040 KMA 600 AD	40	600	2	8,084	3003999
050 KMA 100 AD	50	100	2	4,294	3004000
050 KMA 200 AD	50	200	2	5,112	3004001
050 KMA 300 AD	50	300	2	5,840	3004002
050 KMA 400 AD	50	400	2	6,568	3004003
050 KMA 500 AD	50	500	2	7,295	3004004
050 KMA 600 AD	50	600	2	8,568	3004005
060 KMA 100 AD	60	100	2	4,778	3004006
060 KMA 200 AD	60	200	2	5,596	3004007
060 KMA 300 AD	60	300	2	6,324	3004008
060 KMA 400 AD	60	400	2	7,052	3004009
060 KMA 500 AD	60	500	2	7,780	3004010
060 KMA 600 AD	60	600	2	9,052	3004011
075 KMA 100 AD	75	100	2	5,437	3004012
075 KMA 200 AD	75	200	2	6,255	3004013
075 KMA 300 AD	75	300	2	6,982	3004014
075 KMA 400 AD	75	400	2	7,710	3004015
075 KMA 500 AD	75	500	2	8,438	3004016
075 KMA 600 AD	75	600	2	9,711	3004017
100 KMA 200 AD	100	200	2	7,396	3004019
100 KMA 300 AD	100	300	2	8,125	3004020
100 KMA 400 AD	100	400	2	8,853	3004021
100 KMA 500 AD	100	500	2	9,581	3004022
100 KMA 600 AD	100	600	2	10,857	3004023
125 KMA 200 AD	125	200	2	8,539	3000928
125 KMA 300 AD	125	300	2	9,269	3000929
125 KMA 400 AD	125	400	2	9,996	3000930
125 KMA 500 AD	125	500	2	10,724	3000931
125 KMA 600 AD	125	600	2	11,996	3000932
150 KMA 200 AD	150	200	2	9,771	3000933
150 KMA 300 AD	150	300	2	10,500	3000934
150 KMA 400 AD	150	400	2	11,228	3000935
150 KMA 500 AD	150	500	2	11,956	3000936
150 KMA 600 AD	150	600	2	13,229	3000937



H=040, H=050, H=060 single row perforated.
H=075 two row perforated.
H=100 three rows perforated.
H=125 four rows perforated
H=150 five rows perforated.

Sample Order:
Height (H): 50 mm,
Tray Width (A,B,C,D): 400 mm,
Sheet Metal Thickness (T): 2 mm,
Type of Coating (S): Hot Dip Galvanized,
Module Type: "+" Connection Module.

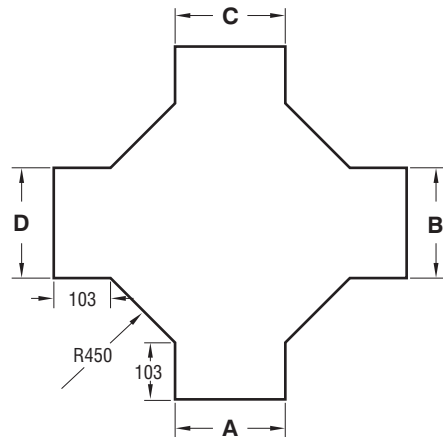
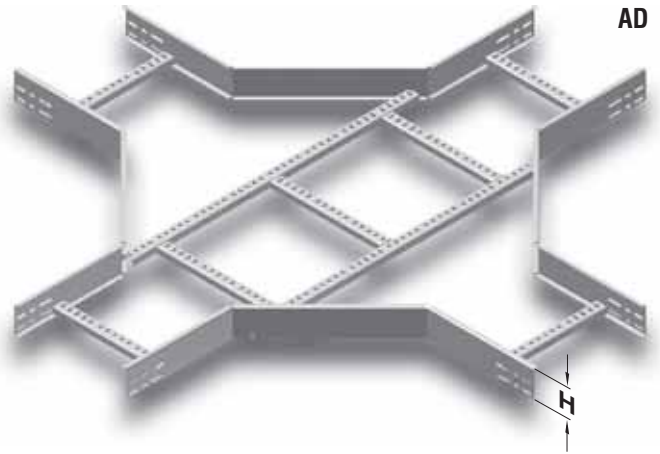


- Please indicate order code in your orders.
- Please contact us for special size.
- Material weights may vary by ± 10%

►► KMA "+" CONNECTION MODULE $R=450$

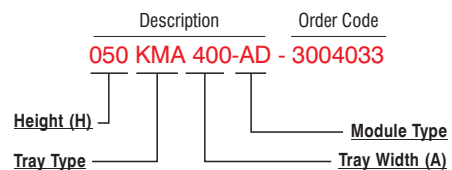
Hot Dip Galvanized After Fabrication (TS EN ISO 1461)

Description	H (mm)	ABCD (mm)	T (mm)	Weight (kg/pc)	Order Code
040 KMA 100 AD	40	100	2	5,294	3004024
040 KMA 200 AD	40	200	2	6,114	3004025
040 KMA 300 AD	40	300	2	6,932	3004026
040 KMA 400 AD	40	400	2	7,752	3004027
040 KMA 500 AD	40	500	2	8,571	3004028
040 KMA 600 AD	40	600	2	9,390	3004029
050 KMA 100 AD	50	100	2	5,950	3004030
050 KMA 200 AD	50	200	2	6,769	3004031
050 KMA 300 AD	50	300	2	7,589	3004032
050 KMA 400 AD	50	400	2	8,407	3004033
050 KMA 500 AD	50	500	2	9,227	3004034
050 KMA 600 AD	50	600	2	10,046	3004035
060 KMA 100 AD	60	100	2	6,607	3004036
060 KMA 200 AD	60	200	2	7,425	3004037
060 KMA 300 AD	60	300	2	8,245	3004038
060 KMA 400 AD	60	400	2	9,064	3004039
060 KMA 500 AD	60	500	2	9,882	3004040
060 KMA 600 AD	60	600	2	10,702	3004041
075 KMA 100 AD	75	100	2	7,522	3004042
075 KMA 200 AD	75	200	2	8,341	3004043
075 KMA 300 AD	75	300	2	9,161	3004044
075 KMA 400 AD	75	400	2	9,979	3004045
075 KMA 500 AD	75	500	2	10,799	3004046
075 KMA 600 AD	75	600	2	11,618	3004047
100 KMA 200 AD	100	200	2	9,913	3004049
100 KMA 300 AD	100	300	2	10,733	3004050
100 KMA 400 AD	100	400	2	11,551	3004051
100 KMA 500 AD	100	500	2	12,371	3004052
100 KMA 600 AD	100	600	2	13,190	3004053
125 KMA 200 AD	125	200	2	11,485	3000938
125 KMA 300 AD	125	300	2	12,305	3000939
125 KMA 400 AD	125	400	2	13,123	3000940
125 KMA 500 AD	125	500	2	13,943	3000941
125 KMA 600 AD	125	600	2	14,762	3000942
150 KMA 200 AD	150	200	2	13,057	3000943
150 KMA 300 AD	150	300	2	13,877	3000944
150 KMA 400 AD	150	400	2	14,695	3000945
150 KMA 500 AD	150	500	2	15,514	3000946
150 KMA 600 AD	150	600	2	16,334	3000947



H=040, H=050, H=060 single row perforated.
 H=075 two row perforated.
 H=100 three rows perforated.
 H=125 four rows perforated
 H=150 five rows perforated.

Sample Order:
 Height (H): 50 mm,
 Tray Width (A,B,C,D): 400 mm,
 Sheet Metal Thickness (T): 2 mm,
 Type of Coating (S): Hot Dip Galvanized,
 Module Type: "+" Connection Module.

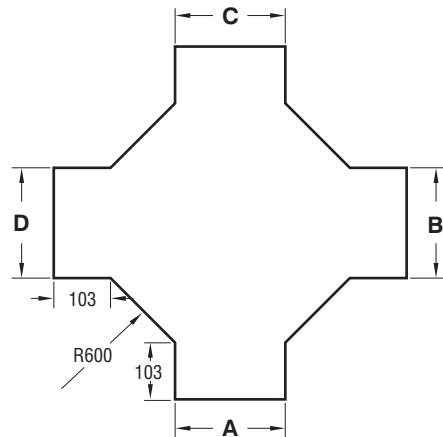


- Please indicate order code in your orders.
- Please contact us for special size.
- Material weights may vary by $\pm 10\%$

►► KMA "+" CONNECTION MODULE R=600

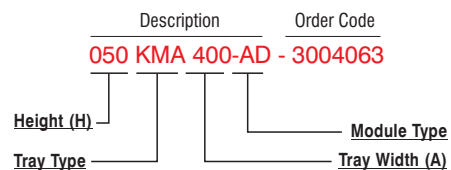
Hot Dip Galvanized After Fabrication (TS EN ISO 1461)

Description	H (mm)	ABCD (mm)	T (mm)	Weight (kg/pc)	Order Code
040 KMA 100 AD	40	100	2	7,128	3004054
040 KMA 200 AD	40	200	2	8,065	3004055
040 KMA 300 AD	40	300	2	9,103	3004056
040 KMA 400 AD	40	400	2	10,104	3004057
040 KMA 500 AD	40	500	2	11,105	3004058
040 KMA 600 AD	40	600	2	12,106	3004059
050 KMA 100 AD	50	100	2	7,955	3004060
050 KMA 200 AD	50	200	2	8,936	3004061
050 KMA 300 AD	50	300	2	9,930	3004062
050 KMA 400 AD	50	400	2	10,931	3004063
050 KMA 500 AD	50	500	2	11,933	3004064
050 KMA 600 AD	50	600	2	12,934	3004065
060 KMA 100 AD	60	100	2	8,754	3004066
060 KMA 200 AD	60	200	2	9,765	3004067
060 KMA 300 AD	60	300	2	10,758	3004068
060 KMA 400 AD	60	400	2	11,759	3004069
060 KMA 500 AD	60	500	2	12,760	3004070
060 KMA 600 AD	60	600	2	13,761	3004071
075 KMA 100 AD	75	100	2	9,956	3004072
075 KMA 200 AD	75	200	2	10,937	3004073
075 KMA 300 AD	75	300	2	11,932	3004074
075 KMA 400 AD	75	400	2	12,933	3004075
075 KMA 500 AD	75	500	2	13,934	3004076
075 KMA 600 AD	75	600	2	14,935	3004077
100 KMA 200 AD	100	200	2	12,939	3004079
100 KMA 300 AD	100	300	2	13,933	3004080
100 KMA 400 AD	100	400	2	14,934	3004081
100 KMA 500 AD	100	500	2	15,935	3004082
100 KMA 600 AD	100	600	2	16,936	3004083
125 KMA 200 AD	125	200	2	14,940	3000948
125 KMA 300 AD	125	300	2	15,934	3000949
125 KMA 400 AD	125	400	2	16,935	3000950
125 KMA 500 AD	125	500	2	17,936	3000951
125 KMA 600 AD	125	600	2	18,937	3000952
150 KMA 200 AD	150	200	2	16,941	3000953
150 KMA 300 AD	150	300	2	17,934	3000954
150 KMA 400 AD	150	400	2	18,935	3000955
150 KMA 500 AD	150	500	2	19,936	3000956
150 KMA 600 AD	150	600	2	20,939	3000957



H=040, H=050, H=060 single row perforated.
 H=075 two row perforated.
 H=100 three rows perforated.
 H=125 four rows perforated
 H=150 five rows perforated.

Sample Order:
 Height (H): 50 mm,
 Tray Width (A,B,C,D): 400 mm,
 Sheet Metal Thickness (T): 2 mm,
 Type of Coating (S): Hot Dip Galvanized,
 Module Type: "+" Connection Module.



- Please indicate order code in your orders.
- Please contact us for special size.
- Material weights may vary by ± 10%

▶▶ **KMA “+” CONNECTION MODULE COVER R=117**
Hot Dip Galvanized After Fabrication (TS EN ISO 1461)

Description	ABCD (mm)	T (mm)	Weight (kg./pc.)	Order Code
KMA 100 AD COVER	105	2	2,265	3005650
KMA 200 AD COVER	205	2	4,331	3005646
KMA 300 AD COVER	305	2	6,743	3005642
KMA 400 AD COVER	405	2	9,503	3005640
KMA 500 AD COVER	505	2	12,610	3005638
KMA 600 AD COVER	605	2	16,064	3005636

▶▶ **KMA “+” CONNECTION MODULE COVER R=450**
Hot Dip Galvanized After Fabrication (TS EN ISO 1461)

Description	A (mm)	T (mm)	Weight (kg./pc.)	Order Code
KMA 100 AD COVER	105	2	4,727	3005095
KMA 200 AD COVER	205	2	7,083	3005097
KMA 300 AD COVER	305	2	9,786	3005099
KMA 400 AD COVER	405	2	12,833	3005100
KMA 500 AD COVER	505	2	16,225	3005101
KMA 600 AD COVER	605	2	19,963	3005102

▶▶ **KMA “+” CONNECTION MODULE COVER R=300**
Hot Dip Galvanized After Fabrication (TS EN ISO 1461)

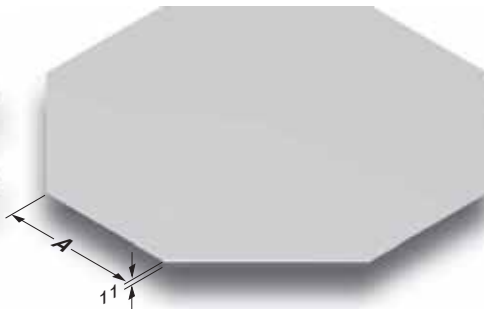
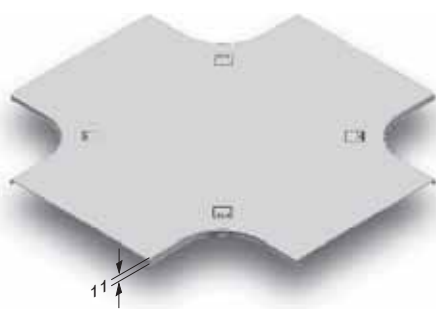
Description	A (mm)	T (mm)	Weight (kg./pc.)	Order Code
KMA 100 AD COVER	105	2	2,682	3005086
KMA 200 AD COVER	205	2	4,431	3005088
KMA 300 AD COVER	305	2	7,625	3005090
KMA 400 AD COVER	405	2	8,966	3005091
KMA 500 AD COVER	505	2	11,751	3005092
KMA 600 AD COVER	605	2	14,882	3005093

▶▶ **KMA “+” CONNECTION MODULE COVER R=600**
Hot Dip Galvanized After Fabrication (TS EN ISO 1461)

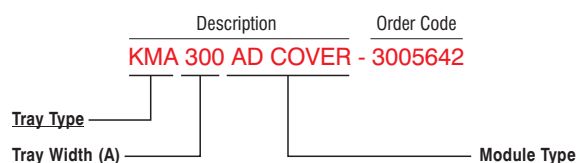
Description	A (mm)	T (mm)	Weight (kg./pc.)	Order Code
KMA 100 AD COVER	105	2	7,306	3005104
KMA 200 AD COVER	205	2	10,270	3005106
KMA 300 AD COVER	305	2	13,578	3005108
KMA 400 AD COVER	405	2	17,233	3005109
KMA 500 AD COVER	505	2	21,232	3005110
KMA 600 AD COVER	605	2	25,576	3005111

AD **R=117**

AD **R=300 / R=450 / R=600**



Sample Order:



■ Please indicate order code in your orders.

■ Material weights may vary by ± 10%

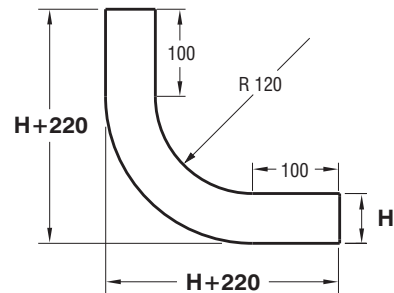
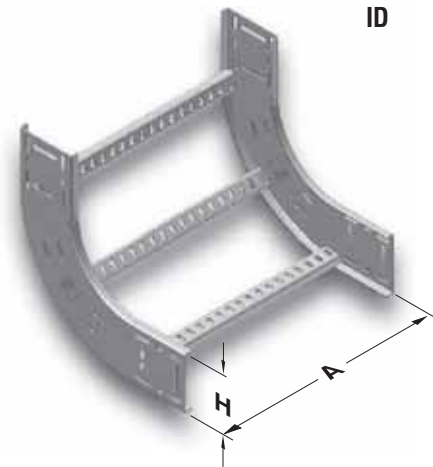
■ R=600, The lids with a Width of 500 and 600 will be supplied as two separate hinged parts.

■ Please contact us for special size.

►► KMA CONCAVE MODULE (90°) R=120

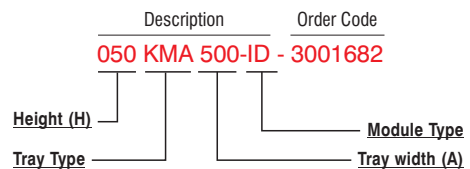
Hot Dip Galvanized After Fabrication (TS EN ISO 1461)

Description	H (mm)	A (mm)	T (mm)	Weight (kg/pc)	Order Code
040 KMA 100 ID	40	100	2	1,041	3001672
040 KMA 200 ID	40	200	2	1,324	3001673
040 KMA 300 ID	40	300	2	1,605	3001674
040 KMA 400 ID	40	400	2	1,885	3001675
040 KMA 500 ID	40	500	2	2,169	3001676
040 KMA 600 ID	40	600	2	2,450	3001677
050 KMA 100 ID	50	100	2	1,115	3001678
050 KMA 200 ID	50	200	2	1,399	3001679
050 KMA 300 ID	50	300	2	1,680	3001680
050 KMA 400 ID	50	400	2	1,960	3001681
050 KMA 500 ID	50	500	2	2,244	3001682
050 KMA 600 ID	50	600	2	2,525	3001683
060 KMA 100 ID	60	100	2	1,329	3001684
060 KMA 200 ID	60	200	2	1,613	3001685
060 KMA 300 ID	60	300	2	1,893	3001686
060 KMA 400 ID	60	400	2	2,174	3001687
060 KMA 500 ID	60	500	2	2,457	3001688
060 KMA 600 ID	60	600	2	2,738	3001689
075 KMA 100 ID	75	100	2	1,571	3001690
075 KMA 200 ID	75	200	2	1,855	3001691
075 KMA 300 ID	75	300	2	2,135	3001692
075 KMA 400 ID	75	400	2	2,416	3001693
075 KMA 500 ID	75	500	2	2,699	3001694
075 KMA 600 ID	75	600	2	2,980	3001695
100 KMA 200 ID	100	200	2	2,297	3001696
100 KMA 300 ID	100	300	2	2,577	3001697
100 KMA 400 ID	100	400	2	2,858	3001698
100 KMA 500 ID	100	500	2	3,142	3001699
100 KMA 600 ID	100	600	2	3,422	3001700



H=040, H=050, H=060 single line perforated
 H=075 double line perforated
 H=100 triple line perforated

Sample Order:
 Height (H): 50 mm,
 Tray Width (A): 500 mm,
 Sheet Metal Thickness (T): 2 mm,
 Type of Coating (S): Hot Dip Galvanized,
 Module Type: Convex Module

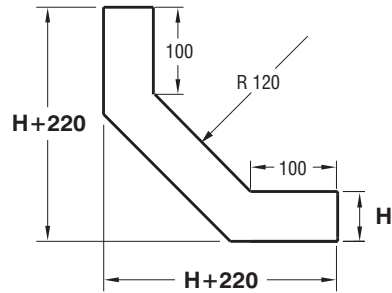
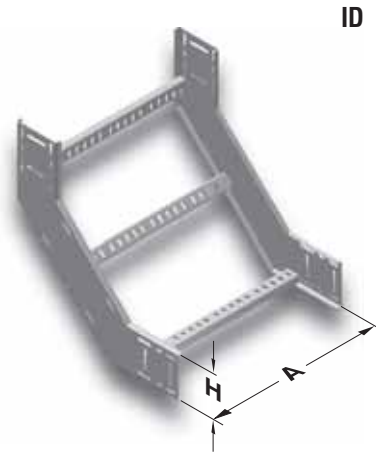


- Please indicate order code in your orders.
- Please contact us for special size.
- Material weights may vary by ± 10%



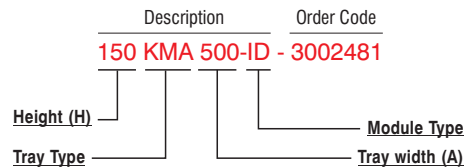
►► KMA CONVEX MODULE (90°) R=120
 Hot Dip Galvanized After Fabrication (TS EN ISO 1461)

Description	H (mm)	A (mm)	T (mm)	Weight (kg/pc)	Order Code
125 KMA 200 ID	125	200	2	3,406	3002473
125 KMA 300 ID	125	300	2	3,641	3002474
125 KMA 400 ID	125	400	2	3,874	3002475
125 KMA 500 ID	125	500	2	4,104	3002476
125 KMA 600 ID	125	600	2	4,336	3002477
150 KMA 200 ID	150	200	2	3,961	3002478
150 KMA 300 ID	150	300	2	4,197	3002479
150 KMA 400 ID	150	400	2	4,430	3002480
150 KMA 500 ID	150	500	2	4,660	3002481
150 KMA 600 ID	150	600	2	4,892	3002482



H=125 four rows perforated
 H=150 five rows perforated.

Sample Order:
 Height (H): 150 mm,
 Tray Width (A): 500 mm,
 Sheet Metal Thickness (T): 2 mm,
 Type of Coating (S): Hot Dip Galvanized,
 Module Type: Convex Module



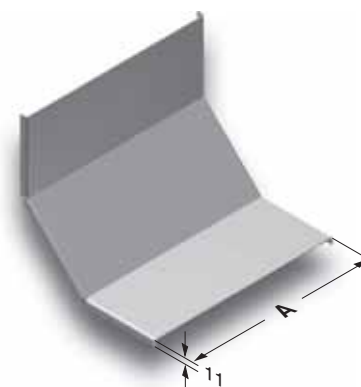
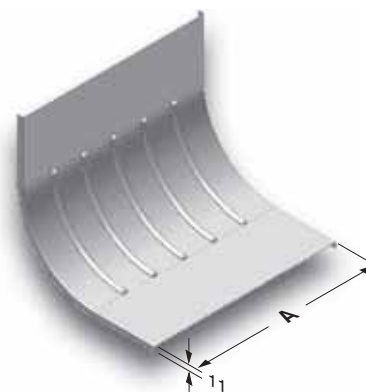
- Please indicate order code in your orders.
- Please contact us for special size.
- Material weights may vary by ± 10%

►► KMA CONCAVE MODULE COVER

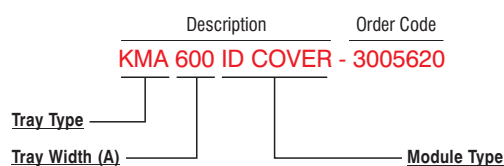
Hot Dip Galvanized After Fabrication (TS EN ISO 1461)

Description	A (mm)	T (mm)	Weight (kg./pc.)	Order Code
KMA 100 ID COVER	105	2	0,845	3005634
KMA 200 ID COVER	205	2	1,510	3005630
KMA 300 ID COVER	305	2	2,176	3005626
KMA 400 ID COVER	405	2	2,841	3005624
KMA 500 ID COVER	505	2	3,506	3005622
KMA 600 ID COVER	605	2	4,172	3005620
125 KMA 200 ID COVER	205	2	1,478	3002494
125 KMA 300 ID COVER	305	2	2,138	3002496
125 KMA 400 ID COVER	405	2	2,800	3002497
125 KMA 500 ID COVER	505	2	3,460	3002498
125 KMA 600 ID COVER	605	2	4,121	3002499
150 KMA 200 ID COVER	205	2	1,478	3002494
150 KMA 300 ID COVER	305	2	2,138	3002496
150 KMA 400 ID COVER	405	2	2,800	3002497
150 KMA 500 ID COVER	505	2	3,460	3002498
150 KMA 600 ID COVER	605	2	4,121	3002499

ID (90°)



Sample Order:

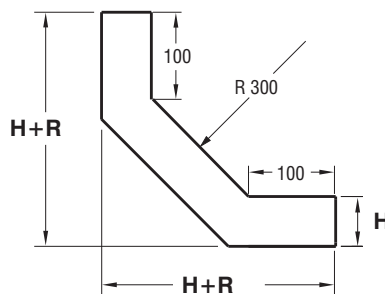
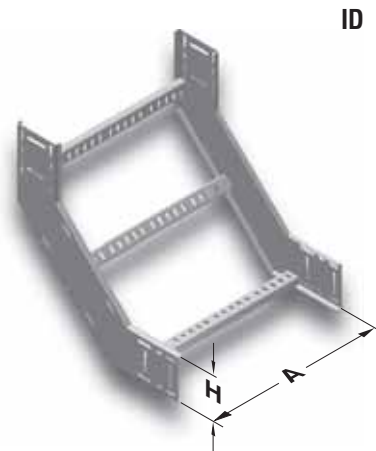


- Please indicate order code in your orders.
- Please contact us for special size.
- Material weights may vary by ± 10%

►► KMA CONCAVE MODULE (90°) R=300

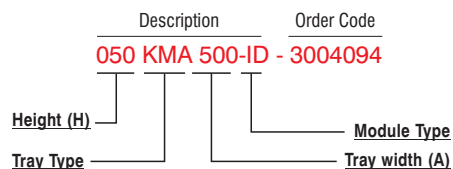
Hot Dip Galvanized After Fabrication (TS EN ISO 1461)

Description	H (mm)	A (mm)	T (mm)	Weight (kg/pc)	Order Code
040 KMA 100 ID	40	100	2	1,262	3004084
040 KMA 200 ID	40	200	2	1,535	3004085
040 KMA 300 ID	40	300	2	1,808	3004086
040 KMA 400 ID	40	400	2	2,081	3004087
040 KMA 500 ID	40	500	2	2,354	3004088
040 KMA 600 ID	40	600	2	2,627	3004089
050 KMA 100 ID	50	100	2	1,405	3004090
050 KMA 200 ID	50	200	2	1,678	3004091
050 KMA 300 ID	50	300	2	1,950	3004092
050 KMA 400 ID	50	400	2	2,223	3004093
050 KMA 500 ID	50	500	2	2,497	3004094
050 KMA 600 ID	50	600	2	2,770	3004095
060 KMA 100 ID	60	100	2	1,612	3004096
060 KMA 200 ID	60	200	2	1,885	3004097
060 KMA 300 ID	60	300	2	2,158	3004098
060 KMA 400 ID	60	400	2	2,431	3004099
060 KMA 500 ID	60	500	2	2,704	3004100
060 KMA 600 ID	60	600	2	2,978	3004101
075 KMA 100 ID	75	100	2	1,912	3004102
075 KMA 200 ID	75	200	2	2,185	3004103
075 KMA 300 ID	75	300	2	2,457	3004104
075 KMA 400 ID	75	400	2	2,730	3004105
075 KMA 500 ID	75	500	2	3,003	3004106
075 KMA 600 ID	75	600	2	3,277	3004107
100 KMA 200 ID	100	200	2	2,729	3004109
100 KMA 300 ID	100	300	2	3,002	3004110
100 KMA 400 ID	100	400	2	3,275	3004111
100 KMA 500 ID	100	500	2	3,548	3004112
100 KMA 600 ID	100	600	2	3,820	3004113
125 KMA 200 ID	125	200	2	3,314	3000958
125 KMA 300 ID	125	300	2	3,588	3000959
125 KMA 400 ID	125	400	2	3,861	3000960
125 KMA 500 ID	125	500	2	4,134	3000961
125 KMA 600 ID	125	600	2	4,407	3000962
150 KMA 200 ID	150	200	2	3,978	3000963
150 KMA 300 ID	150	300	2	4,252	3000964
150 KMA 400 ID	150	400	2	4,527	3000965
150 KMA 500 ID	150	500	2	4,797	3000966
150 KMA 600 ID	150	600	2	5,311	3000967



H=040, H=050, H=060 single row perforated.
 H=075 two row perforated.
 H=100 three rows perforated.
 H=125 four rows perforated
 H=150 five rows perforated.

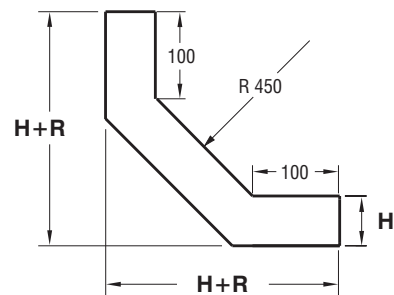
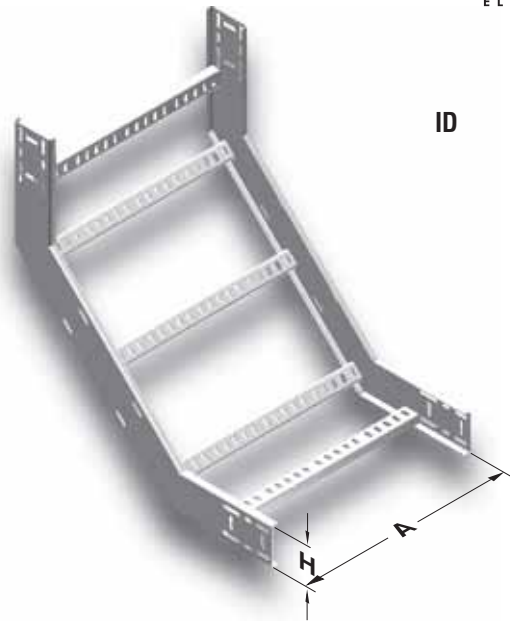
Sample Order:
 Height (H): 50 mm,
 Tray width (A): 500 mm,
 Sheet Metal Thickness (T): 2 mm,
 Type of Coating (S): Hot Dip Galvanized,
 Module Type: Concave Module.



- Please indicate order code in your orders.
- Please contact us for special size.
- Material weights may vary by ± 10%

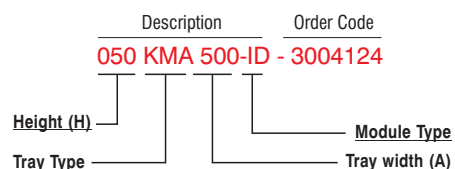
►► **KMA CONCAVE MODULE (90°) R=450**
 Hot Dip Galvanized After Fabrication (TS EN ISO 1461)

Description	H (mm)	A (mm)	T (mm)	Weight (kg/pc)	Order Code
040 KMA 100 ID	40	100	2	1,746	3004114
040 KMA 200 ID	40	200	2	2,020	3004115
040 KMA 300 ID	40	300	2	2,292	3004116
040 KMA 400 ID	40	400	2	2,565	3004117
040 KMA 500 ID	40	500	2	2,838	3004118
040 KMA 600 ID	40	600	2	3,112	3004119
050 KMA 100 ID	50	100	2	1,975	3004120
050 KMA 200 ID	50	200	2	2,247	3004121
050 KMA 300 ID	50	300	2	2,521	3004122
050 KMA 400 ID	50	400	2	2,794	3004123
050 KMA 500 ID	50	500	2	3,067	3004124
050 KMA 600 ID	50	600	2	3,340	3004125
060 KMA 100 ID	60	100	2	2,268	3004126
060 KMA 200 ID	60	200	2	2,541	3004127
060 KMA 300 ID	60	300	2	2,814	3004128
060 KMA 400 ID	60	400	2	3,088	3004129
060 KMA 500 ID	60	500	2	3,361	3004130
060 KMA 600 ID	60	600	2	3,633	3004131
075 KMA 100 ID	75	100	2	2,696	3004132
075 KMA 200 ID	75	200	2	2,969	3004133
075 KMA 300 ID	75	300	2	3,243	3004134
075 KMA 400 ID	75	400	2	3,516	3004135
075 KMA 500 ID	75	500	2	3,788	3004136
075 KMA 600 ID	75	600	2	4,061	3004137
100 KMA 200 ID	100	200	2	3,728	3004139
100 KMA 300 ID	100	300	2	4,001	3004140
100 KMA 400 ID	100	400	2	4,275	3004141
100 KMA 500 ID	100	500	2	4,547	3004142
100 KMA 600 ID	100	600	2	4,820	3004143
125 KMA 200 ID	125	200	2	4,529	3000968
125 KMA 300 ID	125	300	2	4,802	3000969
125 KMA 400 ID	125	400	2	5,075	3000970
125 KMA 500 ID	125	500	2	5,348	3000971
125 KMA 600 ID	125	600	2	5,621	3000972
150 KMA 200 ID	150	200	2	5,415	3000973
150 KMA 300 ID	150	300	2	5,688	3000974
150 KMA 400 ID	150	400	2	5,961	3000975
150 KMA 500 ID	150	500	2	6,235	3000976
150 KMA 600 ID	150	600	2	6,508	3000977



H=040, H=050, H=060 single row perforated.
 H=075 two row perforated.
 H=100 three rows perforated.
 H=125 four rows perforated
 H=150 five rows perforated.

Sample Order:
 Height (H): 50 mm,
 Tray width (A): 500 mm,
 Sheet Metal Thickness (T): 2 mm,
 Type of Coating (S): Hot Dip Galvanized,
 Module Type: Concave Module.

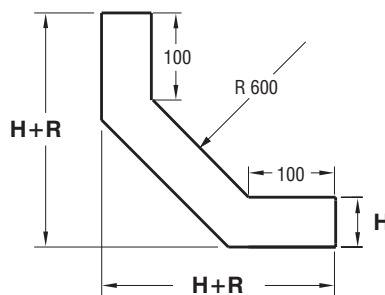
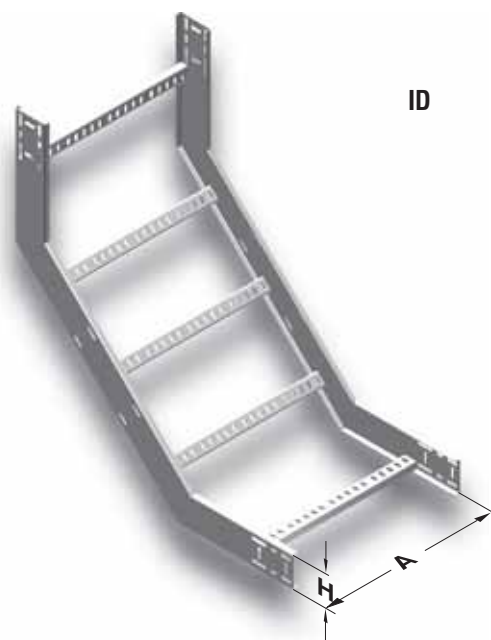


- Please indicate order code in your orders.
- Please contact us for special size.
- Material weights may vary by ± 10%

►► **KMA CONCAVE MODULE (90°) R=600**

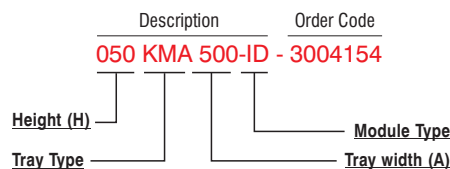
Hot Dip Galvanized After Fabrication (TS EN ISO 1461)

Description	H (mm)	A (mm)	T (mm)	Weight (kg/pc)	Order Code
040 KMA 100 ID	40	100	2	2,231	3004144
040 KMA 200 ID	40	200	2	2,504	3004145
040 KMA 300 ID	40	300	2	2,776	3004146
040 KMA 400 ID	40	400	2	3,049	3004147
040 KMA 500 ID	40	500	2	3,323	3004148
040 KMA 600 ID	40	600	2	3,596	3004149
050 KMA 100 ID	50	100	2	2,545	3004150
050 KMA 200 ID	50	200	2	2,818	3004151
050 KMA 300 ID	50	300	2	3,091	3004152
050 KMA 400 ID	50	400	2	3,364	3004153
050 KMA 500 ID	50	500	2	3,637	3004154
050 KMA 600 ID	50	600	2	3,911	3004155
060 KMA 100 ID	60	100	2	2,924	3004156
060 KMA 200 ID	60	200	2	3,198	3004157
060 KMA 300 ID	60	300	2	3,471	3004158
060 KMA 400 ID	60	400	2	3,743	3004159
060 KMA 500 ID	60	500	2	4,016	3004160
060 KMA 600 ID	60	600	2	4,289	3004161
075 KMA 100 ID	75	100	2	3,482	3004162
075 KMA 200 ID	75	200	2	3,754	3004163
075 KMA 300 ID	75	300	2	4,027	3004164
075 KMA 400 ID	75	400	2	4,300	3004165
075 KMA 500 ID	75	500	2	4,574	3004166
075 KMA 600 ID	75	600	2	4,847	3004167
100 KMA 200 ID	100	200	2	4,728	3004169
100 KMA 300 ID	100	300	2	5,001	3004170
100 KMA 400 ID	100	400	2	5,273	3004171
100 KMA 500 ID	100	500	2	5,546	3004172
100 KMA 600 ID	100	600	2	5,820	3004173
125 KMA 200 ID	125	200	2	5,743	3000978
125 KMA 300 ID	125	300	2	6,016	3000979
125 KMA 400 ID	125	400	2	6,289	3000980
125 KMA 500 ID	125	500	2	6,562	3000981
125 KMA 600 ID	125	600	2	6,835	3000982
150 KMA 200 ID	150	200	2	6,852	3000983
150 KMA 300 ID	150	300	2	7,126	3000984
150 KMA 400 ID	150	400	2	7,399	3000985
150 KMA 500 ID	150	500	2	7,671	3000986
150 KMA 600 ID	150	600	2	7,944	3000987



H=040, H=050, H=060 single row perforated.
 H=075 two row perforated.
 H=100 three rows perforated.
 H=125 four rows perforated
 H=150 five rows perforated.

Sample Order:
 Height (H): 50 mm,
 Tray width (A): 500 mm,
 Sheet Metal Thickness (T): 2 mm,
 Type of Coating (S): Hot Dip Galvanized,
 Module Type: Concave Module.

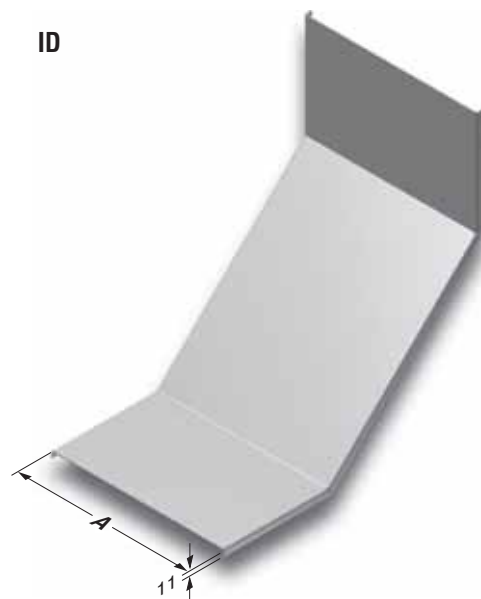


- Please indicate order code in your orders.
- Please contact us for special size.
- Material weights may vary by ± 10%

►► KMA CONCAVE MODULE COVER R=300

Hot Dip Galvanized After Fabrication (TS EN ISO 1461)

Description	A (mm)	T (mm)	Weight (kg./pc.)	Order Code
KMA 100 ID COVER	100	2	1,035	3005113
KMA 200 ID COVER	200	2	1,888	3005115
KMA 300 ID COVER	300	2	2,740	3005117
KMA 400 ID COVER	400	2	3,593	3005118
KMA 500 ID COVER	500	2	4,444	3005119
KMA 600 ID COVER	600	2	5,297	3005120

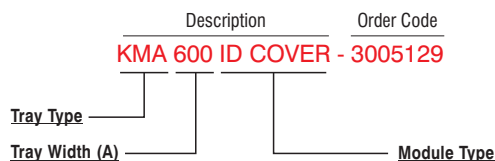


►► KMA CONCAVE MODULE COVER R=450

Hot Dip Galvanized After Fabrication (TS EN ISO 1461)

Description	A (mm)	T (mm)	Weight (kg./pc.)	Order Code
KMA 100 ID COVER	100	2	1,557	3005122
KMA 200 ID COVER	200	2	2,838	3005124
KMA 300 ID COVER	300	2	4,119	3005126
KMA 400 ID COVER	400	2	5,400	3005127
KMA 500 ID COVER	500	2	6,682	3005128
KMA 600 ID COVER	600	2	7,963	3005129

Sample Order:



►► KMA CONCAVE MODULE COVER R=600

Hot Dip Galvanized After Fabrication (TS EN ISO 1461)

Description	A (mm)	T (mm)	Weight (kg./pc.)	Order Code
KMA 100 ID COVER	100	2	2,078	3005131
KMA 200 ID COVER	200	2	3,788	3005133
KMA 300 ID COVER	300	2	5,498	3005135
KMA 400 ID COVER	400	2	7,209	3005136
KMA 500 ID COVER	500	2	8,919	3005137
KMA 600 ID COVER	600	2	10,629	3005138

■ Please indicate order code in your orders.

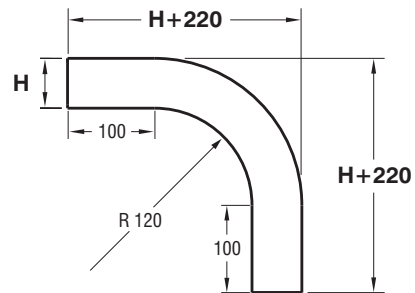
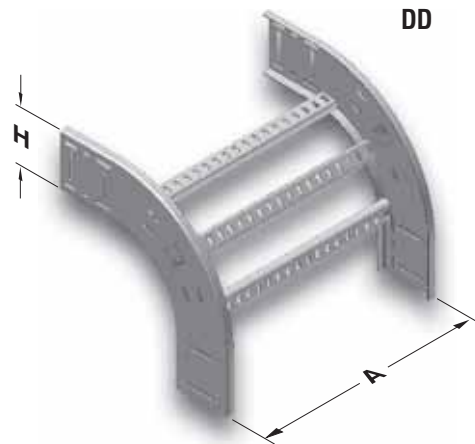
■ Material weights may vary by ± 10%

■ Please contact us for special size.

►► KMA CONVEX MODULE (90°) R=120

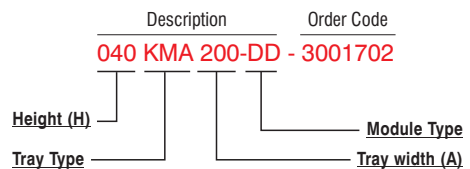
Hot Dip Galvanized After Fabrication (TS EN ISO 1461)

Description	H (mm)	A (mm)	T (mm)	Weight (kg/pc)	Order Code
040 KMA 100 DD	40	100	2	1,041	3001701
040 KMA 200 DD	40	200	2	1,324	3001702
040 KMA 300 DD	40	300	2	1,605	3001703
040 KMA 400 DD	40	400	2	1,885	3001704
040 KMA 500 DD	40	500	2	2,169	3001705
040 KMA 600 DD	40	600	2	2,450	3001706
050 KMA 100 DD	50	100	2	1,115	3001707
050 KMA 200 DD	50	200	2	1,399	3001708
050 KMA 300 DD	50	300	2	1,680	3001709
050 KMA 400 DD	50	400	2	1,960	3001710
050 KMA 500 DD	50	500	2	2,244	3001711
050 KMA 600 DD	50	600	2	2,525	3001712
060 KMA 100 DD	60	100	2	1,329	3001713
060 KMA 200 DD	60	200	2	1,613	3001714
060 KMA 300 DD	60	300	2	1,893	3001715
060 KMA 400 DD	60	400	2	2,174	3001716
060 KMA 500 DD	60	500	2	2,457	3001717
060 KMA 600 DD	60	600	2	2,738	3001718
075 KMA 100 DD	75	100	2	1,571	3001719
075 KMA 200 DD	75	200	2	1,855	3001720
075 KMA 300 DD	75	300	2	2,135	3001721
075 KMA 400 DD	75	400	2	2,416	3001722
075 KMA 500 DD	75	500	2	2,699	3001723
075 KMA 600 DD	75	600	2	2,980	3001724
100 KMA 200 DD	100	200	2	2,297	3001725
100 KMA 300 DD	100	300	2	2,577	3001726
100 KMA 400 DD	100	400	2	2,858	3001727
100 KMA 500 DD	100	500	2	3,142	3001728
100 KMA 600 DD	100	600	2	3,422	3001729



H=040, H=050, H=060 single line perforated
 H=075 double line perforated
 H=100 triple line perforated

Sample Order:
 Height (H): 40 mm,
 Tray Width (A): 200 mm,
 Sheet Metal Thickness (T): 2 mm,
 Type of Coating (S): Hot Dip Galvanized,
 Module Type: Convex Module

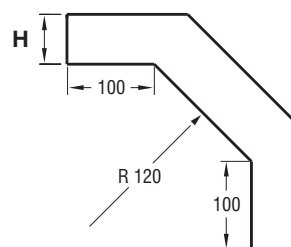
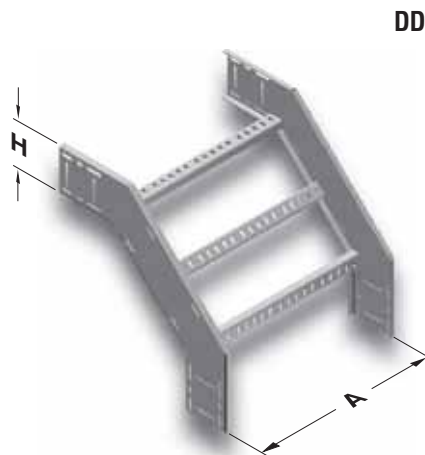


- Please indicate order code in your orders.
- Please contact us for special size.
- Material weights may vary by ± 10%

►► KMA CONVEX MODULE (90°) R=120

Hot Dip Galvanized After Fabrication (TS EN ISO 1461)

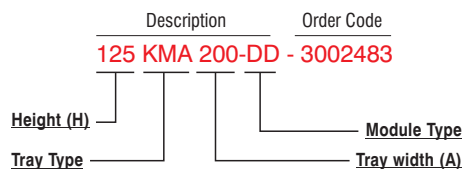
Description	H (mm)	A (mm)	T (mm)	Weight (kg/pc)	Order Code
125 KMA 200 DD	125	200	2	3,406	3002483
125 KMA 300 DD	125	300	2	3,641	3002484
125 KMA 400 DD	125	400	2	3,874	3002485
125 KMA 500 DD	125	500	2	4,104	3002486
125 KMA 600 DD	125	600	2	4,336	3002487
150 KMA 200 DD	150	200	2	3,961	3002488
150 KMA 300 DD	150	300	2	4,197	3002489
150 KMA 400 DD	150	400	2	4,430	3002490
150 KMA 500 DD	150	500	2	4,660	3002491
150 KMA 600 DD	150	600	2	4,892	3002492



H=125 four rows perforated
H=150 five rows perforated.

Sample Order:

Height (H): 125 mm,
Tray Width (A): 200 mm,
Sheet Metal Thickness (T): 2 mm,
Type of Coating (S): Hot Dip Galvanized,
Module Type: Convex Module



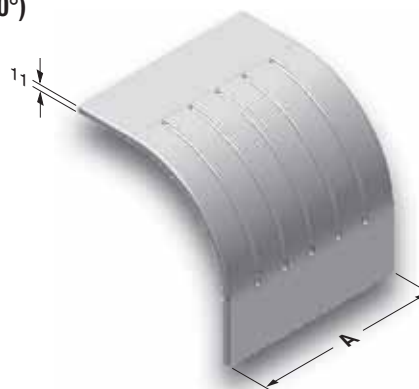
- Please indicate order code in your orders.
- Please contact us for special size.
- Material weights may vary by ± 10%

►► KMA CONVEX MODULE COVER

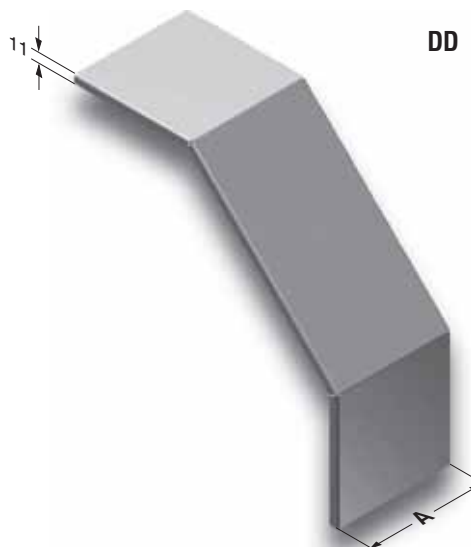
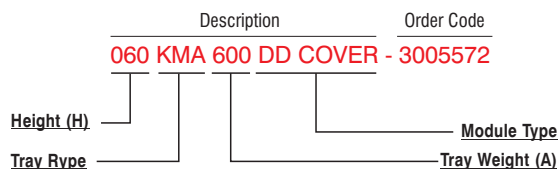
Hot Dip Galvanized After Fabrication (TS EN ISO 1461)

Description	A (mm)	T (mm)	Weight (kg/pc)	Order Code
040 KMA 100 DD COVER	105	2	0,983	3005618
040 KMA 200 DD COVER	205	2	1,757	3005614
040 KMA 300 DD COVER	305	2	2,530	3005610
040 KMA 400 DD COVER	405	2	3,304	3005608
040 KMA 500 DD COVER	505	2	4,078	3005606
040 KMA 600 DD COVER	605	2	4,852	3005604
050 KMA 100 DD COVER	105	2	1,017	3005602
050 KMA 200 DD COVER	205	2	1,818	3005598
050 KMA 300 DD COVER	305	2	2,619	3005594
050 KMA 400 DD COVER	405	2	3,420	3005592
050 KMA 500 DD COVER	505	2	4,221	3005590
050 KMA 600 DD COVER	605	2	5,022	3005588
060 KMA 100 DD COVER	105	2	1,052	3005586
060 KMA 200 DD COVER	205	2	1,880	3005582
060 KMA 300 DD COVER	305	2	2,708	3005578
060 KMA 400 DD COVER	405	2	3,536	3005576
060 KMA 500 DD COVER	505	2	4,364	3005574
060 KMA 600 DD COVER	605	2	5,192	3005572
075 KMA 100 DD COVER	105	2	1,103	3005570
075 KMA 200 DD COVER	205	2	1,972	3005568
075 KMA 300 DD COVER	305	2	2,841	3005566
075 KMA 400 DD COVER	405	2	3,709	3005564
075 KMA 500 DD COVER	505	2	4,578	3005562
075 KMA 600 DD COVER	605	2	5,447	3005560
100 KMA 200 DD COVER	205	2	2,126	3005558
100 KMA 300 DD COVER	305	2	3,062	3005556
100 KMA 400 DD COVER	405	2	3,999	3005554
100 KMA 500 DD COVER	505	2	4,935	3005552
100 KMA 600 DD COVER	605	2	5,872	3005550
125 KMA 200 DD COVER	205	2	2,302	3003699
125 KMA 300 DD COVER	305	2	3,321	3003701
125 KMA 400 DD COVER	405	2	4,341	3003702
125 KMA 500 DD COVER	505	2	5,359	3003703
125 KMA 600 DD COVER	605	2	6,378	3003704
150 KMA 200 DD COVER	205	2	2,466	3003705
150 KMA 300 DD COVER	305	2	3,557	3003707
150 KMA 400 DD COVER	405	2	4,650	3003708
150 KMA 500 DD COVER	505	2	5,741	3003709
150 KMA 600 DD COVER	605	2	6,833	3003710

DD (90°)



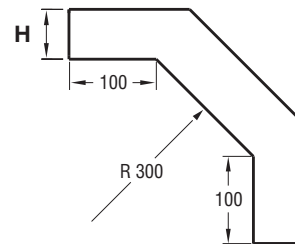
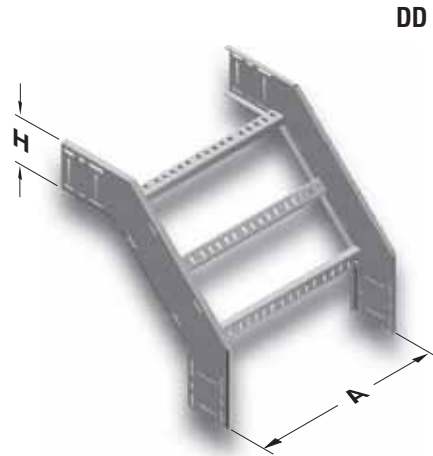
Sample Order:



- Please indicate order code in your orders.
- Please contact us for special size.
- Material weights may vary by ± 10%

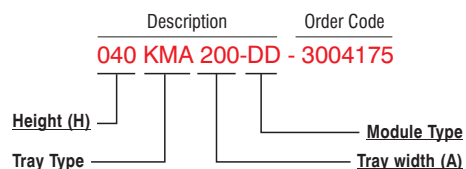
►► KMA CONVEX MODULE (90°) R=300
 Hot Dip Galvanized After Fabrication (TS EN ISO 1461)

Description	H (mm)	A (mm)	T (mm)	Weight (kg/pc)	Order Code
040 KMA 100 DD	40	100	2	1,262	3004174
040 KMA 200 DD	40	200	2	1,535	3004175
040 KMA 300 DD	40	300	2	1,808	3004176
040 KMA 400 DD	40	400	2	2,081	3004177
040 KMA 500 DD	40	500	2	2,354	3004178
040 KMA 600 DD	40	600	2	2,627	3004179
050 KMA 100 DD	50	100	2	1,405	3004180
050 KMA 200 DD	50	200	2	1,678	3004181
050 KMA 300 DD	50	300	2	1,950	3004182
050 KMA 400 DD	50	400	2	2,223	3004183
050 KMA 500 DD	50	500	2	2,497	3004184
050 KMA 600 DD	50	600	2	2,770	3004185
060 KMA 100 DD	60	100	2	1,612	3004186
060 KMA 200 DD	60	200	2	1,885	3004187
060 KMA 300 DD	60	300	2	2,158	3004188
060 KMA 400 DD	60	400	2	2,431	3004189
060 KMA 500 DD	60	500	2	2,704	3004190
060 KMA 600 DD	60	600	2	2,978	3004191
075 KMA 100 DD	75	100	2	1,912	3004192
075 KMA 200 DD	75	200	2	2,185	3004193
075 KMA 300 DD	75	300	2	2,457	3004194
075 KMA 400 DD	75	400	2	2,730	3004195
075 KMA 500 DD	75	500	2	2,910	3004196
075 KMA 600 DD	75	600	2	3,277	3004197
100 KMA 200 DD	100	200	2	2,729	3004199
100 KMA 300 DD	100	300	2	3,002	3004200
100 KMA 400 DD	100	400	2	3,275	3004201
100 KMA 500 DD	100	500	2	3,548	3004202
100 KMA 600 DD	100	600	2	3,820	3004203
125 KMA 200 DD	125	200	2	3,314	3000988
125 KMA 300 DD	125	300	2	3,588	3000989
125 KMA 400 DD	125	400	2	3,861	3000990
125 KMA 500 DD	125	500	2	4,134	3000991
125 KMA 600 DD	125	600	2	4,407	3000992
150 KMA 200 DD	150	200	2	3,978	3000993
150 KMA 300 DD	150	300	2	4,252	3000994
150 KMA 400 DD	150	400	2	4,527	3000995
150 KMA 500 DD	150	500	2	4,797	3000996
150 KMA 600 DD	150	600	2	5,112	3000997



H=040, H=050, H=060 single row perforated.
 H=075 two row perforated.
 H=100 three rows perforated.
 H=125 four rows perforated.
 H=150 five rows perforated.

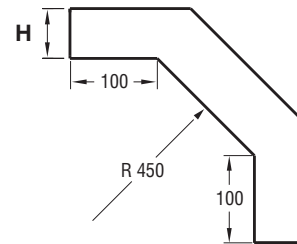
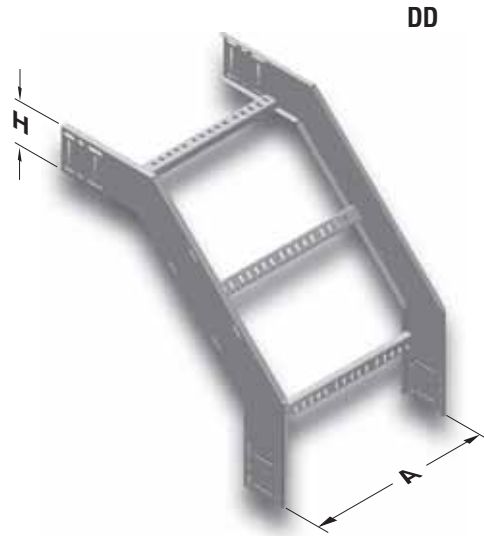
Sample Order:
 Height (H): 40 mm,
 Tray Width (A): 200 mm,
 Sheet Metal Thickness (T): 2 mm,
 Type of Coating (S): Hot Dip Galvanized,
 Module Type: Convex Module



- Please indicate order code in your orders.
- Please contact us for special size.
- Material weights may vary by ± 10%

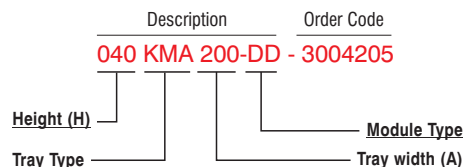
►► KMA CONVEX MODULE (90°) R=450 Hot Dip Galvanized After Fabrication (TS EN ISO 1461)

Description	H (mm)	A (mm)	T (mm)	Weight (kg/pc)	Order Code
040 KMA 100 DD	40	100	2	1,746	3004204
040 KMA 200 DD	40	200	2	2,020	3004205
040 KMA 300 DD	40	300	2	2,292	3004206
040 KMA 400 DD	40	400	2	2,565	3004207
040 KMA 500 DD	40	500	2	2,838	3004208
040 KMA 600 DD	40	600	2	3,112	3004209
050 KMA 100 DD	50	100	2	1,975	3004210
050 KMA 200 DD	50	200	2	2,247	3004211
050 KMA 300 DD	50	300	2	2,521	3004212
050 KMA 400 DD	50	400	2	2,794	3004213
050 KMA 500 DD	50	500	2	3,067	3004214
050 KMA 600 DD	50	600	2	3,340	3004215
060 KMA 100 DD	60	100	2	2,268	3004216
060 KMA 200 DD	60	200	2	2,541	3004217
060 KMA 300 DD	60	300	2	2,814	3004218
060 KMA 400 DD	60	400	2	3,088	3004219
060 KMA 500 DD	60	500	2	3,361	3004220
060 KMA 600 DD	60	600	2	3,633	3004221
075 KMA 100 DD	75	100	2	2,696	3004222
075 KMA 200 DD	75	200	2	2,969	3004223
075 KMA 300 DD	75	300	2	3,243	3004224
075 KMA 400 DD	75	400	2	3,516	3004225
075 KMA 500 DD	75	500	2	3,788	3004226
075 KMA 600 DD	75	600	2	4,061	3004227
100 KMA 200 DD	100	200	2	3,728	3004229
100 KMA 300 DD	100	300	2	4,001	3004230
100 KMA 400 DD	100	400	2	4,275	3004231
100 KMA 500 DD	100	500	2	4,547	3004232
100 KMA 600 DD	100	600	2	4,820	3004233
125 KMA 200 DD	125	200	2	4,529	3000998
125 KMA 300 DD	125	300	2	4,802	3000999
125 KMA 400 DD	125	400	2	5,075	3001000
125 KMA 500 DD	125	500	2	5,348	3001001
125 KMA 600 DD	125	600	2	5,621	3001002
150 KMA 200 DD	150	200	2	5,415	3001003
150 KMA 300 DD	150	300	2	5,688	3001004
150 KMA 400 DD	150	400	2	5,961	3001005
150 KMA 500 DD	150	500	2	6,235	3001006
150 KMA 600 DD	150	600	2	6,508	3001007



H=040, H=050, H=060 single row perforated.
 H=075 two row perforated.
 H=100 three rows perforated.
 H=125 four rows perforated.
 H=150 five rows perforated.

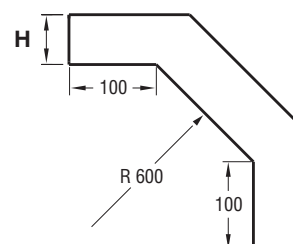
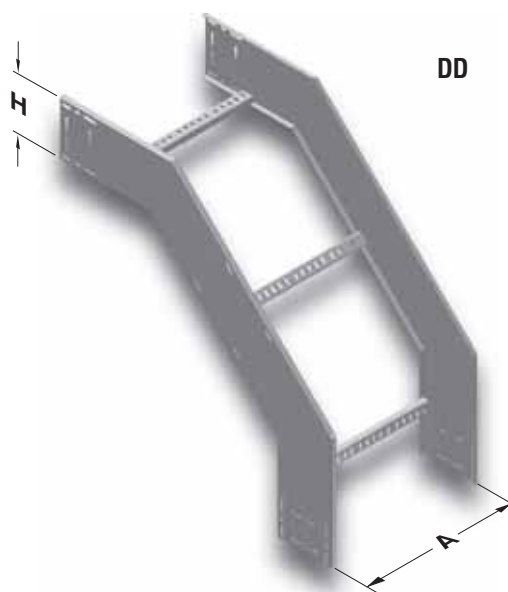
Sample Order:
 Height (H): 40 mm,
 Tray Width (A): 200 mm,
 Sheet Metal Thickness (T): 2 mm,
 Type of Coating (S): Hot Dip Galvanized,
 Module Type: Convex Module



- Please indicate order code in your orders.
- Please contact us for special size.
- Material weights may vary by ± 10%

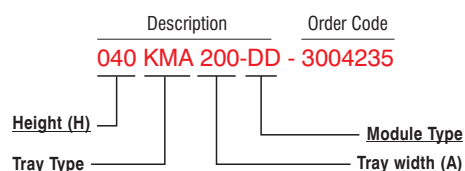
►► KMA CONVEX MODULE (90°) R=600
 Hot Dip Galvanized After Fabrication (TS EN ISO 1461)

Description	H (mm)	A (mm)	T (mm)	Weight (kg/pc)	Order Code
040 KMA 100 DD	40	100	2	2,231	3004234
040 KMA 200 DD	40	200	2	2,504	3004235
040 KMA 300 DD	40	300	2	2,776	3004236
040 KMA 400 DD	40	400	2	3,049	3004237
040 KMA 500 DD	40	500	2	3,323	3004238
040 KMA 600 DD	40	600	2	3,596	3004239
050 KMA 100 DD	50	100	2	2,545	3004240
050 KMA 200 DD	50	200	2	2,818	3004241
050 KMA 300 DD	50	300	2	3,091	3004242
050 KMA 400 DD	50	400	2	3,364	3004243
050 KMA 500 DD	50	500	2	3,637	3004244
050 KMA 600 DD	50	600	2	3,911	3004245
060 KMA 100 DD	60	100	2	2,924	3004246
060 KMA 200 DD	60	200	2	3,198	3004247
060 KMA 300 DD	60	300	2	3,471	3004248
060 KMA 400 DD	60	400	2	3,743	3004249
060 KMA 500 DD	60	500	2	4,016	3004250
060 KMA 600 DD	60	600	2	4,289	3004251
075 KMA 100 DD	75	100	2	3,482	3004252
075 KMA 200 DD	75	200	2	3,754	3004253
075 KMA 300 DD	75	300	2	4,027	3004254
075 KMA 400 DD	75	400	2	4,300	3004255
075 KMA 500 DD	75	500	2	4,574	3004256
075 KMA 600 DD	75	600	2	4,847	3004257
100 KMA 200 DD	100	200	2	4,728	3004259
100 KMA 300 DD	100	300	2	5,001	3004260
100 KMA 400 DD	100	400	2	5,273	3004261
100 KMA 500 DD	100	500	2	5,546	3004262
100 KMA 600 DD	100	600	2	5,820	3004263
125 KMA 200 DD	125	200	2	5,743	3001008
125 KMA 300 DD	125	300	2	6,016	3001009
125 KMA 400 DD	125	400	2	6,289	3001010
125 KMA 500 DD	125	500	2	6,562	3001011
125 KMA 600 DD	125	600	2	6,835	3001012
150 KMA 200 DD	150	200	2	6,852	3001013
150 KMA 300 DD	150	300	2	7,126	3001014
150 KMA 400 DD	150	400	2	7,399	3001015
150 KMA 500 DD	150	500	2	7,671	3001016
150 KMA 600 DD	150	600	2	7,944	3001017



H=040, H=050, H=060 single row perforated.
 H=075 two row perforated.
 H=100 three rows perforated.
 H=125 four rows perforated.
 H=150 five rows perforated.

Sample Order:
 Height (H): 40 mm,
 Tray Width (A): 200 mm,
 Sheet Metal Thickness (T): 2 mm,
 Type of Coating (S): Hot Dip Galvanized,
 Module Type: Convex Module

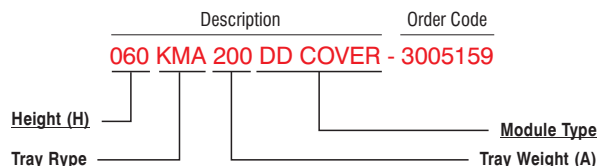
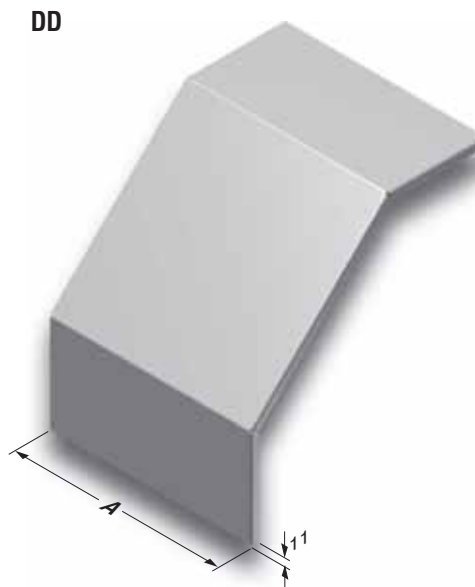


- Please indicate order code in your orders.
- Please contact us for special size.
- Material weights may vary by ± 10%

►► KMA CONVEX MODULE COVER R=300

Hot Dip Galvanized After Fabrication (TS EN ISO 1461)

Description	A (mm)	T (mm)	Weight (kg/pc)	Order Code
040 KMA 100 DD COVER	100	2	1,179	3005140
040 KMA 200 DD COVER	200	2	2,146	3005142
040 KMA 300 DD COVER	300	2	3,113	3005144
040 KMA 400 DD COVER	400	2	4,079	3005145
040 KMA 500 DD COVER	500	2	5,046	3005146
040 KMA 600 DD COVER	600	2	6,013	3005147
050 KMA 100 DD COVER	100	2	1,214	3005149
050 KMA 200 DD COVER	200	2	2,210	3005151
050 KMA 300 DD COVER	300	2	3,205	3005153
050 KMA 400 DD COVER	400	2	4,200	3005154
050 KMA 500 DD COVER	500	2	5,195	3005155
050 KMA 600 DD COVER	600	2	6,190	3005156
060 KMA 100 DD COVER	100	2	1,249	3005157
060 KMA 200 DD COVER	200	2	2,273	3005159
060 KMA 300 DD COVER	300	2	3,297	3005161
060 KMA 400 DD COVER	400	2	4,321	3005162
060 KMA 500 DD COVER	500	2	5,345	3005163
060 KMA 600 DD COVER	600	2	6,368	3005164
075 KMA 100 DD COVER	100	2	1,301	3005165
075 KMA 200 DD COVER	200	2	2,368	3005167
075 KMA 300 DD COVER	300	2	3,435	3005169
075 KMA 400 DD COVER	400	2	4,502	3005170
075 KMA 500 DD COVER	500	2	5,568	3005171
075 KMA 600 DD COVER	600	2	6,635	3005172
100 KMA 200 DD COVER	200	2	2,527	3005175
100 KMA 300 DD COVER	300	2	3,665	3005177
100 KMA 400 DD COVER	400	2	4,803	3005178
100 KMA 500 DD COVER	500	2	5,942	3005179
100 KMA 600 DD COVER	600	2	7,080	3005180
125 KMA 200 DD COVER	200	2	2,686	3005182
125 KMA 300 DD COVER	300	2	3,895	3005184
125 KMA 400 DD COVER	400	2	5,105	3005185
125 KMA 500 DD COVER	500	2	6,315	3005186
125 KMA 600 DD COVER	600	2	7,525	3005187
150 KMA 200 DD COVER	200	2	2,844	3005188
150 KMA 300 DD COVER	300	2	4,126	3005190
150 KMA 400 DD COVER	400	2	5,407	3005191
150 KMA 500 DD COVER	500	2	6,688	3005192
150 KMA 600 DD COVER	600	2	7,969	3005193



■ Please indicate order code in your orders.

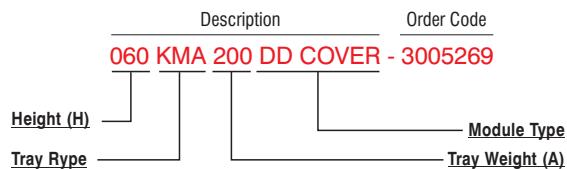
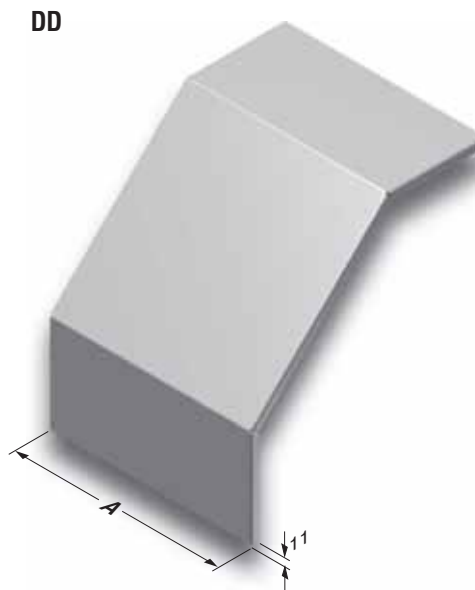
■ Material weights may vary by ± 10%

■ Please contact us for special size.

►► KMA CONVEX MODULE COVER R=600

Hot Dip Galvanized After Fabrication (TS EN ISO 1461)

Description	A (mm)	T (mm)	Weight (kg/pc)	Order Code
040 KMA 100 DD COVER	100	2	2,226	3005250
040 KMA 200 DD COVER	200	2	4,051	3005252
040 KMA 300 DD COVER	300	2	5,875	3005254
040 KMA 400 DD COVER	400	2	7,700	3005255
040 KMA 500 DD COVER	500	2	9,525	3005256
040 KMA 600 DD COVER	600	2	11,349	3005257
050 KMA 100 DD COVER	100	2	2,261	3005259
050 KMA 200 DD COVER	200	2	4,114	3005261
050 KMA 300 DD COVER	300	2	5,967	3005263
050 KMA 400 DD COVER	400	2	7,821	3005264
050 KMA 500 DD COVER	500	2	9,674	3005265
050 KMA 600 DD COVER	600	2	11,527	3005266
060 KMA 100 DD COVER	100	2	2,296	3005267
060 KMA 200 DD COVER	200	2	4,178	3005269
060 KMA 300 DD COVER	300	2	6,059	3005271
060 KMA 400 DD COVER	400	2	7,941	3005272
060 KMA 500 DD COVER	500	2	9,823	3005273
060 KMA 600 DD COVER	600	2	11,705	3005274
075 KMA 100 DD COVER	100	2	2,348	3005275
075 KMA 200 DD COVER	200	2	4,273	3005277
075 KMA 300 DD COVER	300	2	6,198	3005279
075 KMA 400 DD COVER	400	2	8,122	3005280
075 KMA 500 DD COVER	500	2	10,047	3005281
075 KMA 600 DD COVER	600	2	11,972	3005282
100 KMA 200 DD COVER	200	2	4,432	3005285
100 KMA 300 DD COVER	300	2	6,428	3005287
100 KMA 400 DD COVER	400	2	8,424	3005288
100 KMA 500 DD COVER	500	2	10,420	3005289
100 KMA 600 DD COVER	600	2	12,416	3005290
125 KMA 200 DD COVER	200	2	4,590	3005292
125 KMA 300 DD COVER	300	2	6,658	3005294
125 KMA 400 DD COVER	400	2	8,726	3005295
125 KMA 500 DD COVER	500	2	10,793	3005296
125 KMA 600 DD COVER	600	2	12,861	3005297
150 KMA 200 DD COVER	200	2	4,749	3005298
150 KMA 300 DD COVER	300	2	6,888	3005300
150 KMA 400 DD COVER	400	2	9,027	3005301
150 KMA 500 DD COVER	500	2	11,167	3005302
150 KMA 600 DD COVER	600	2	13,306	3005303



■ Please indicate order code in your orders.

■ Material weights may vary by ± 10%

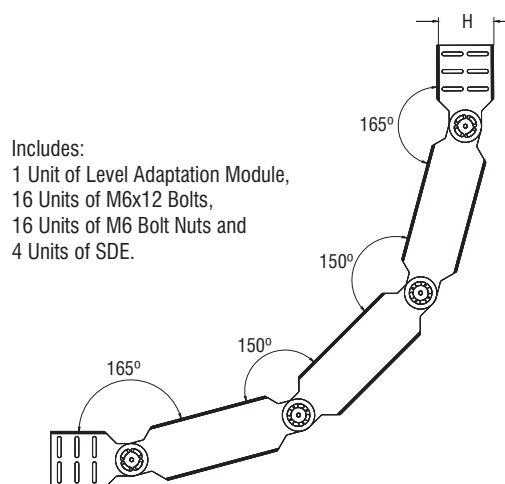
■ Please contact us for special size.

►► KMA-KMH LEVEL ADAPTATION MODULE

Hot Dip Galvanized After Fabrication (TS EN ISO 1461)

Description	H (mm)	A (mm)	T (mm)	Weight (kg/set)	Order Code
040 KMA-KMH 100 SDM	40	100	2	2,983	3001527
040 KMA-KMH 200 SDM	40	200	2	3,551	3001528
040 KMA-KMH 300 SDM	40	300	2	4,112	3001529
040 KMA-KMH 400 SDM	40	400	2	4,673	3001530
040 KMA-KMH 500 SDM	40	500	2	5,240	3001531
040 KMA-KMH 600 SDM	40	600	2	5,801	3001532
050 KMA-KMH 100 SDM	50	100	2	3,326	3001533
050 KMA-KMH 200 SDM	50	200	2	3,894	3001534
050 KMA-KMH 300 SDM	50	300	2	4,455	3001535
050 KMA-KMH 400 SDM	50	400	2	5,016	3001536
050 KMA-KMH 500 SDM	50	500	2	5,584	3001537
050 KMA-KMH 600 SDM	50	600	2	6,145	3001538
060 KMA-KMH 100 SDM	60	100	2	3,784	3001539
060 KMA-KMH 200 SDM	60	200	2	4,352	3001540
060 KMA-KMH 300 SDM	60	300	2	4,913	3001541
060 KMA-KMH 400 SDM	60	400	2	5,474	3001542
060 KMA-KMH 500 SDM	60	500	2	6,041	3001543
060 KMA-KMH 600 SDM	60	600	2	6,602	3001544
075 KMA-KMH 100 SDM	75	100	2	4,349	3001545
075 KMA-KMH 200 SDM	75	200	2	4,917	3001546
075 KMA-KMH 300 SDM	75	300	2	5,478	3001547
075 KMA-KMH 400 SDM	75	400	2	6,039	3001548
075 KMA-KMH 500 SDM	75	500	2	6,607	3001549
075 KMA-KMH 600 SDM	75	600	2	7,168	3001550
100 KMA-KMH 200 SDM	100	200	2	5,720	3001551
100 KMA-KMH 300 SDM	100	300	2	6,281	3001552
100 KMA-KMH 400 SDM	100	400	2	6,842	3001553
100 KMA-KMH 500 SDM	100	500	2	7,410	3001554
100 KMA-KMH 600 SDM	100	600	2	7,971	3001555
125 KMA-KMH 200 SDM	125	200	2	6,530	3002413
125 KMA-KMH 300 SDM	125	300	2	7,091	3002414
125 KMA-KMH 400 SDM	125	400	2	7,652	3002415
125 KMA-KMH 500 SDM	125	500	2	8,220	3002416
125 KMA-KMH 600 SDM	125	600	2	8,781	3002417
150 KMA-KMH 200 SDM	150	200	2	7,340	3002418
150 KMA-KMH 300 SDM	150	300	2	7,901	3002419
150 KMA-KMH 400 SDM	150	400	2	8,462	3002420
150 KMA-KMH 500 SDM	150	500	2	9,030	3002421
150 KMA-KMH 600 SDM	150	600	2	9,591	3002422

SDM



Includes:
 1 Unit of Level Adaptation Module,
 16 Units of M6x12 Bolts,
 16 Units of M6 Bolt Nuts and
 4 Units of SDE.

H=040, H=050, H=060 single row perforated.
 H=075 two row perforated.
 H=100 three rows perforated.
 H=125 four rows perforated.
 H=150 five rows perforated.

- Please indicate order code in your orders.
- Please contact us for special size.
- Material weights may vary by ± 10%

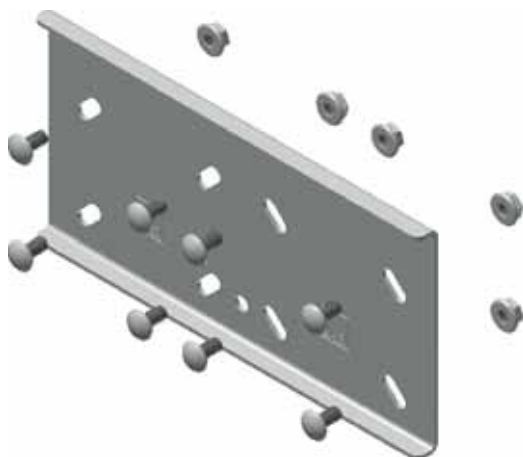
►► KM JOINT FITTING

Hot Dip Galvanized (TS EN ISO 1461)

Description	H (mm)	T (mm)	Weight (kg/pc)	Order Code
40 KM JOINT FITTING	40	2	0,212	3006945
50 KM JOINT FITTING	50	2	0,244	3006943
60 KM JOINT FITTING	60	2	0,284	3006941
75 KM JOINT FITTING	75	2	0,331	3006939
100 KM JOINT FITTING	100	2	0,412	3006937
125 KM JOINT FITTING	125	2	0,496	3003311
150 KM JOINT FITTING	150	2	0,579	3003312
40 KMH JOINT FITTING	40	1,5	0,163	3006167
50 KMH JOINT FITTING	50	1,5	0,188	3006165
60 KMH JOINT FITTING	60	1,5	0,217	3006163



Joint Fitting



For a H=40 joint; 4 M6x12 bolts and 4 M6 nuts should be used.

For a H=50 joint; 4 M6x12 bolts and 4 M6 nuts should be used.

For a H=60 joint; 4 M6x12 bolts and 4 M6 nuts should be used.

For a H=75 joint; 8 M6x12 bolts and 8 M6 nuts should be used.

For a H=100 joint; 8 M6x12 bolts and 8 M6 nuts should be used.

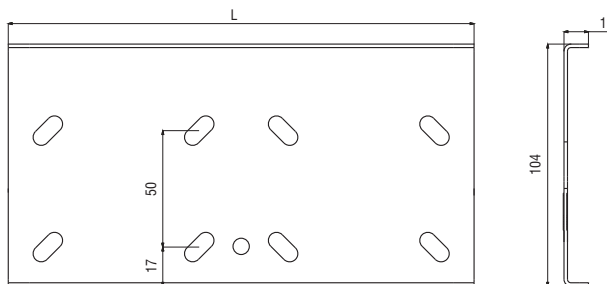
For a H=125 joint; 12 M6x12 bolts and 12 M6 nuts should be used.

For a H=150 joint; 12 M6x12 bolts and 12 M6 nuts should be used.

40 KMH JOINT FITTING L=200
50 KMH JOINT FITTING L=200
60 KMH JOINT FITTING L=200

40 KM JOINT FITTING L=210
50 KM JOINT FITTING L=210
60 KM JOINT FITTING L=210
75 KM JOINT FITTING L=210
100 KM JOINT FITTING L=210
125 KM JOINT FITTING L=192
150 KM JOINT FITTING L=210

H=040, H=050, H=060 single line perforated
H=075 double line perforated
H=100 triple line perforated
H=125 four rows perforated.
H=150 five rows perforated.



■ Please indicate order code in your orders.

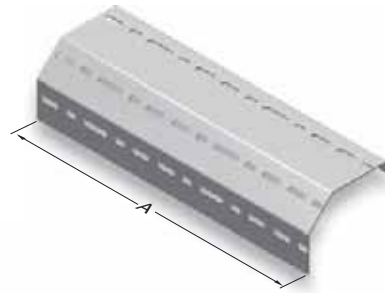
■ Please contact us for special size.

■ Material weights may vary by $\pm 10\%$

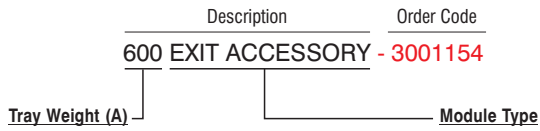
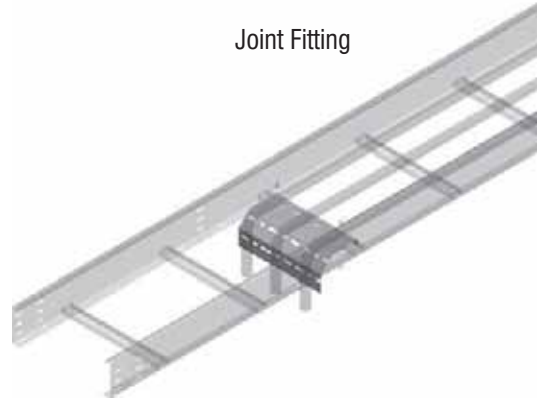
►► KM EXIT ACCESSORY

Hot Dip Galvanized After Fabrication (TS EN ISO 1461)

Description	A (mm)	T (mm)	Weight (kg./pc.)	Order Code
100 EXIT ACCESSORY	50	2	0,153	3030317
200 EXIT ACCESSORY	150	2	0,457	3001150
300 EXIT ACCESSORY	250	2	0,761	3001151
400 EXIT ACCESSORY	350	2	1,066	3001152
500 EXIT ACCESSORY	450	2	1,370	3001153
600 EXIT ACCESSORY	550	2	1,674	3001154

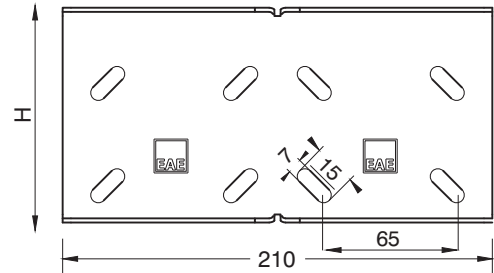
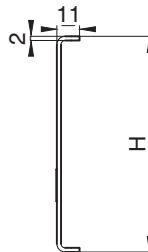
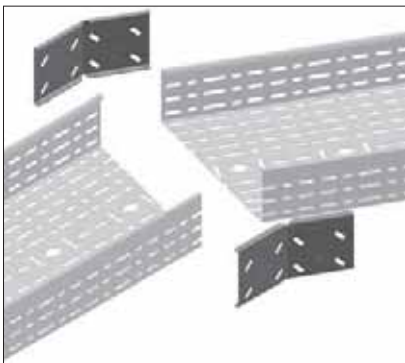


Joint Fitting



►► KMA NOTCHED JOINT FITTING

Description	H (mm)	Weight (kg./pc.)	Order Code
040 KMA HINGED JOINT FITTING	40	0,205	3187841
050 KMA HINGED JOINT FITTING	50	0,241	3187842
060 KMA HINGED JOINT FITTING	60	0,278	3187843
075 KMA HINGED JOINT FITTING	75	0,322	3187844
100 KMA HINGED JOINT FITTING	100	0,413	3187845
125 KMA HINGED JOINT FITTING	125	0,484	3187846
150 KMA HINGED JOINT FITTING	150	0,584	3187847

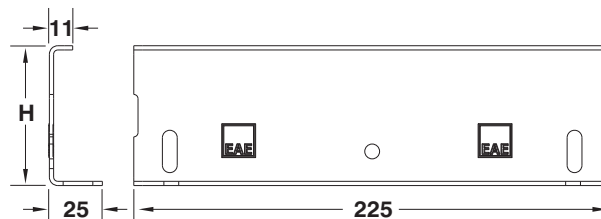
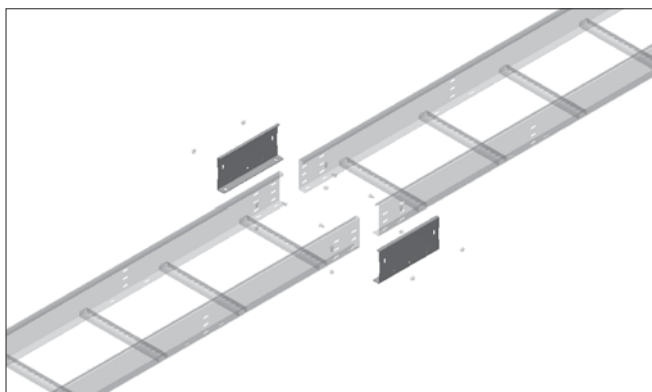
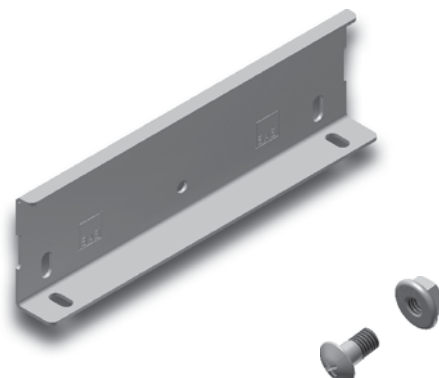


- Please indicate order code in your orders.
- Please contact us for special size.
- Material weights may vary by $\pm 10\%$.

►► KM EXPANSION SET

Hot Dip Galvanized After Fabrication (TS EN ISO 1461)

Description	Ladder Thickness To Be Fixed (mm)	H (mm)	T (mm)	Weight (kg./set.)	Order Code
40 KM EXPANSION SET	1 - 1,2	40	2	0,622	3006612
40 KM EXPANSION SET	1,5 - 2	40	2	0,622	3006615
50 KM EXPANSION SET	1 - 1,2	50	2	0,698	3006613
50 KM EXPANSION SET	1,5 - 2	50	2	0,698	3006616
60 KM EXPANSION SET	1 - 1,2	60	2	0,777	3006614
60 KM EXPANSION SET	1,5 - 2	60	2	0,777	3006617
75 KM EXPANSION SET	1,5 - 2	75	2	0,905	3006618
100 KM EXPANSION SET	1,5 - 2	100	2	1,098	3006619
125 KM EXPANSION SET	1,5 - 2	125	2	1,304	3006620
150 KM EXPANSION SET	1,5 - 2	150	2	1,510	3006621



- Dilatation set allows for expansion upto 26mm.
- 40-50-60-75-100 Dilatation sets uses, 2 lots of dilatation joints, 8 pieces of special bolts and nuts.
125-150 Dilatation sets uses, 2 lots of dilatation joints, 12 pieces of special bolts and nuts.

▶▶ CABLE LADDER JOINT BOLT & NUT SET

Description	Weight (kg/set)	Order Code
JOINT BOLT SET M6	0,009	1004314

- Contains 1 unit M6x12 dished head bolt + 1 unit M6 flanged nut. Coated with standard lac.



▶▶ KM LEVEL ADAPTATION JOINT SET

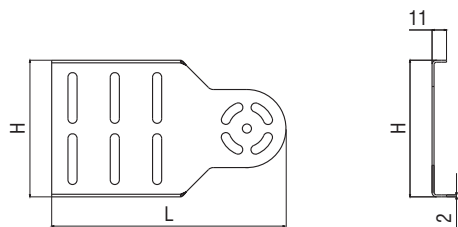
Hot Dip Galvanized (TS EN ISO 1461)

Description	H (mm)	T (mm)	Weight (kg/set)	Order Code
40 KM SDE	40	2	0,512	3005394
50 KM SDE	50	2	0,592	3006951
60 KM SDE	60	2	0,652	3005392
75 KM SDE	75	2	0,856	3006949
100 KM SDE	100	2	1,028	3006947
125 KM SDE	125	2	1,113	3003326
150 KM SDE	150	2	1,309	3003327

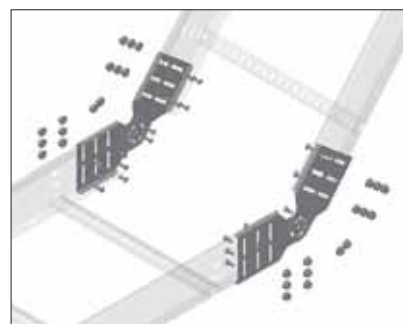
Level Adaptation Joint



Level adaptation joint set contains right and left vertical adjustable joint units and 4 M6x12 bolt set.



40/50/60 KM-SDE L=160
75/100 KM-SDE L=180
125/150 KM-SDE L=180

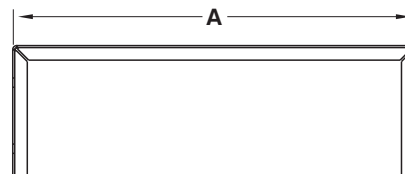
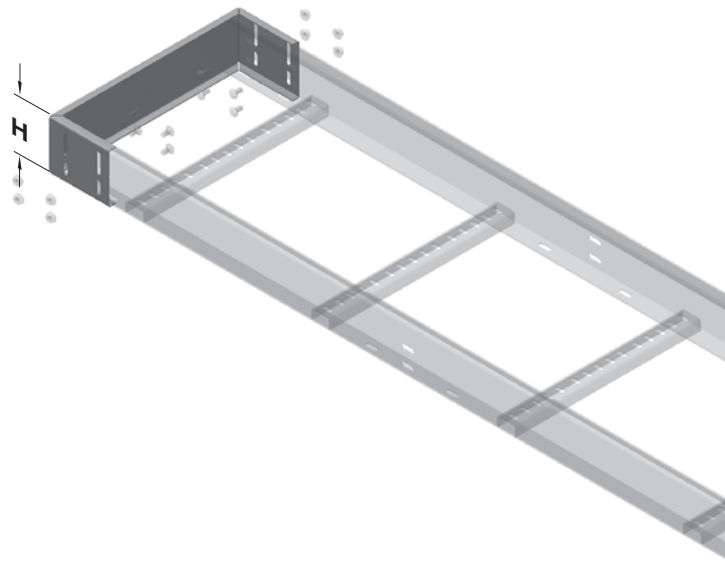


- Please indicate order code in your orders.
- Please contact us for special size.
- Material weights may vary by $\pm 10\%$

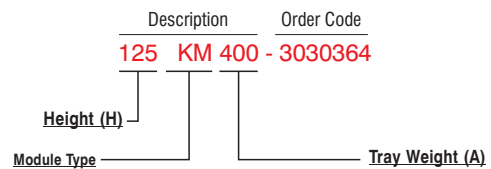
►► KM END COVER

Hot Dip Galvanized After Fabrication (TS EN ISO 1461)

Description	H (mm)	A (mm)	T (mm)	Weight (kg./set.)	Order Code
040 KM 100	40	100	1,5	0,223	3030319
040 KM 200	40	200	1,5	0,304	3030321
040 KM 300	40	300	1,5	0,385	3030323
040 KM 400	40	400	1,5	0,465	3030324
040 KM 500	40	500	1,5	0,546	3030325
040 KM 600	40	600	1,5	0,626	3030326
050 KM 100	50	100	1,5	0,263	3030328
050 KM 200	50	200	1,5	0,356	3030330
050 KM 300	50	300	1,5	0,449	3030332
050 KM 400	50	400	1,5	0,542	3030333
050 KM 500	50	500	1,5	0,636	3030334
050 KM 600	50	600	1,5	0,729	3030335
060 KM 100	60	100	1,5	0,295	3030336
060 KM 200	60	200	1,5	0,402	3030338
060 KM 300	60	300	1,5	0,507	3030340
060 KM 400	60	400	1,5	0,614	3030341
060 KM 500	60	500	1,5	0,721	3030342
060 KM 600	60	600	1,5	0,826	3030343
075 KM 100	75	100	1,5	0,348	3030344
075 KM 200	75	200	1,5	0,474	3030346
075 KM 300	75	300	1,5	0,600	3030348
075 KM 400	75	400	1,5	0,725	3030349
075 KM 500	75	500	1,5	0,851	3030350
075 KM 600	75	600	1,5	0,977	3030351
100 KM 100	100	100	1,5	0,444	3030352
100 KM 200	100	200	1,5	0,602	3030354
100 KM 300	100	300	1,5	0,760	3030356
100 KM 400	100	400	1,5	0,919	3030357
100 KM 500	100	500	1,5	1,077	3030358
100 KM 600	100	600	1,5	1,235	3030359
125 KM 200	125	200	1,5	0,729	3030361
125 KM 300	125	300	1,5	0,921	3030363
125 KM 400	125	400	1,5	1,111	3030364
125 KM 500	125	500	1,5	1,301	3030365
125 KM 600	125	600	1,5	1,492	3030366
150 KM 200	150	200	1,5	0,853	3030367
150 KM 300	150	300	1,5	1,075	3030369
150 KM 400	150	400	1,5	1,298	3030370
150 KM 500	150	500	1,5	1,521	3030371
150 KM 600	150	600	1,5	1,744	3030372



Sample Order:



■ Please indicate order code in your orders.

■ Material weights may vary by ± 10%.

►► KMH-KMA FIXING UNITS

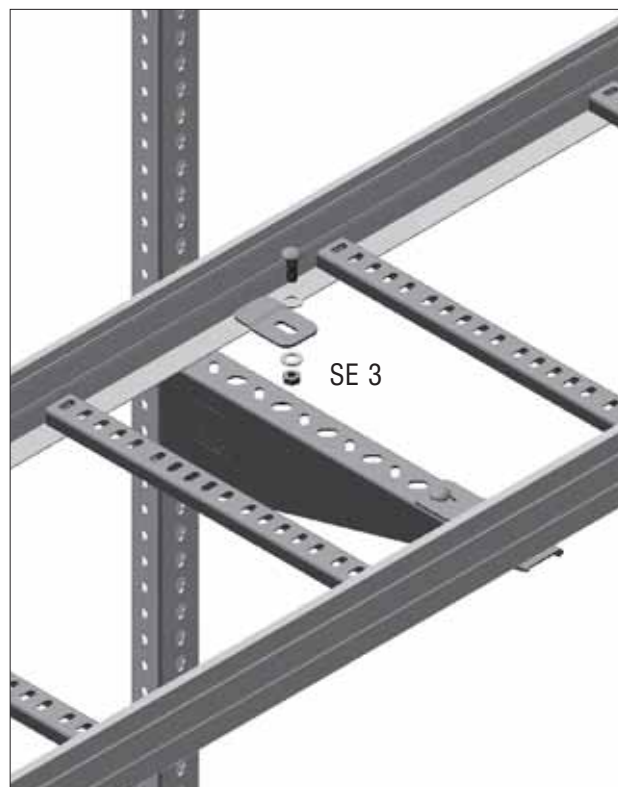
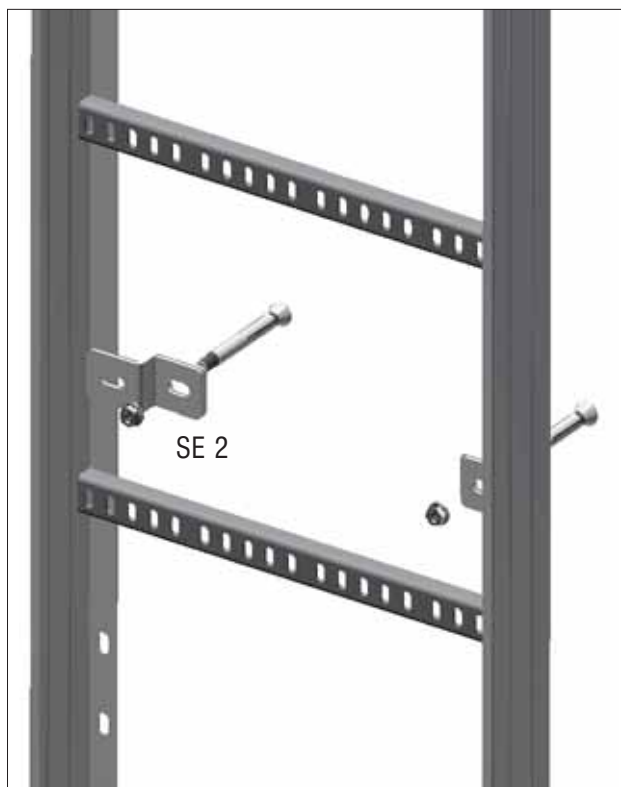
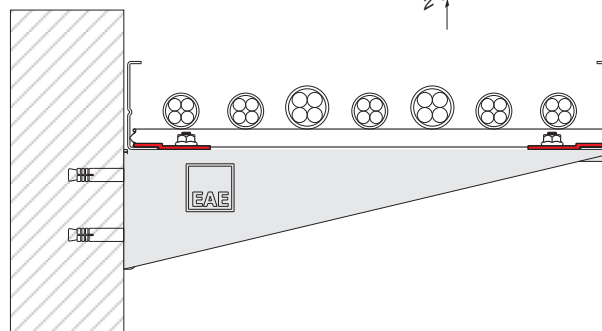
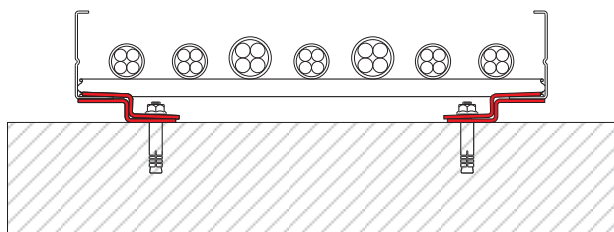
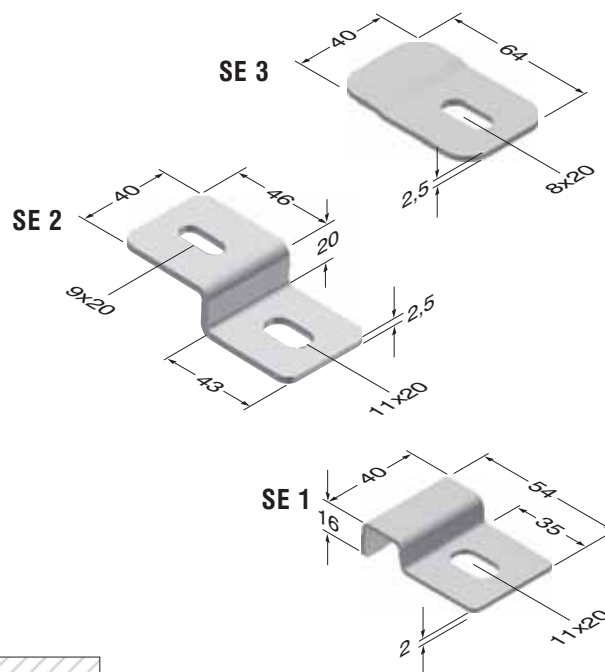
Pre-galvanized (TS EN 10346 - TS EN 10143)

Description	Weight (kg/set)	Order Code
SE1 KMH-KMA FIXING UNIT	0,046	3026173

►► KMH-KMA FIXING UNITS

Alkali Zinc

Description	Weight (kg/set)	Order Code
SE2 KMH-KMA FIXING UNIT	0,079	3006651
SE3 KMH-KMA FIXING UNIT	0,049	3006650

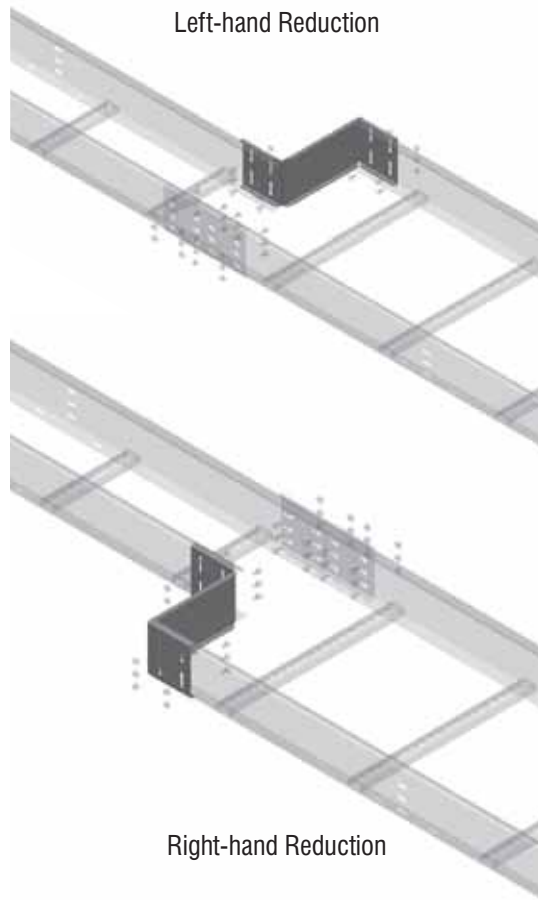


- Please indicate order code in your orders.
- Please contact us for special size.
- Material weights may vary by $\pm 10\%$

►► KMH-KMA REDUCTION

Hot Dip Galvanized (TS EN ISO 1461)

Description	H (mm)	A (mm)	T (mm)	Weight (kg/pc)	Order Code
40 KMH-KMA RD 25	40	25	2	0,206	3002260
40 KMH-KMA RD 50	40	50	2	0,232	3002262
40 KMH-KMA RD100	40	100	2	0,284	3002264
40 KMH-KMA RD150	40	150	2	0,337	3002266
40 KMH-KMA RD200	40	200	2	0,388	3002268
40 KMH-KMA RD250	40	250	2	0,441	3002270
40 KMH-KMA RD300	40	300	2	0,493	3002272
50 KMH-KMA RD 25	50	25	2	0,244	3002274
50 KMH-KMA RD 50	50	50	2	0,275	3002276
50 KMH-KMA RD100	50	100	2	0,336	3002278
50 KMH-KMA RD150	50	150	2	0,396	3002280
50 KMH-KMA RD200	50	200	2	0,457	3002282
50 KMH-KMA RD250	50	250	2	0,518	3002284
50 KMH-KMA RD300	50	300	2	0,579	3002286
60 KMH-KMA RD 25	60	25	2	0,274	3002288
60 KMH-KMA RD 50	60	50	2	0,308	3002290
60 KMH-KMA RD100	60	100	2	0,377	3002292
60 KMH-KMA RD150	60	150	2	0,447	3002294
60 KMH-KMA RD200	60	200	2	0,517	3002296
60 KMH-KMA RD250	60	250	2	0,586	3002298
60 KMH-KMA Rd300	60	300	2	0,656	3002300
75 KMH-KMA RD 25	75	25	2	0,323	3002302
75 KMH-KMA RD 50	75	50	2	0,365	3002304
75 KMH-KMA RD100	75	100	2	0,448	3002306
75 KMH-KMA RD150	75	150	2	0,530	3002308
75 KMH-KMA RD200	75	200	2	0,612	3002310
75 KMH-KMA RD250	75	250	2	0,694	3002312
75 KMH-KMA Rd300	75	300	2	0,777	3002314
100 KMH-KMA RD 25	100	25	2	0,419	3002316
100 KMH-KMA RD 50	100	50	2	0,472	3002318
100 KMH-KMA RD100	100	100	2	0,575	3002320
100 KMH-KMA RD150	100	150	2	0,680	3002322
100 KMH-KMA RD200	100	200	2	0,783	3002324
100 KMH-KMA RD250	100	250	2	0,888	3002326
100 KMH-KMA Rd300	100	300	2	0,991	3002328



Description	H (mm)	A (mm)	T (mm)	Weight (kg/pc)	Order Code
125 KMH-KMA RD 25	125	25	2	0,510	3003332
125 KMH-KMA RD 50	125	50	2	0,573	3003333
125 KMH-KMA RD 100	125	100	2	0,699	3003334
125 KMH-KMA RD 150	125	150	2	0,825	3003335
125 KMH-KMA RD 200	125	200	2	0,950	3003336
125 KMH-KMA RD 250	125	250	2	1,076	3003337
125 KMH-KMA RD 300	125	300	2	1,201	3003338
150 KMH-KMA RD 25	150	25	2	0,596	3003339
150 KMH-KMA RD 50	150	50	2	0,670	3003340
150 KMH-KMA RD 100	150	100	2	0,817	3003341
150 KMH-KMA RD 150	150	150	2	0,964	3003342
150 KMH-KMA RD 200	150	200	2	1,111	3003343
150 KMH-KMA RD 250	150	250	2	1,258	3003344
150 KMH-KMA RD 300	150	300	2	1,406	3003345

■ Please indicate order code in your orders.

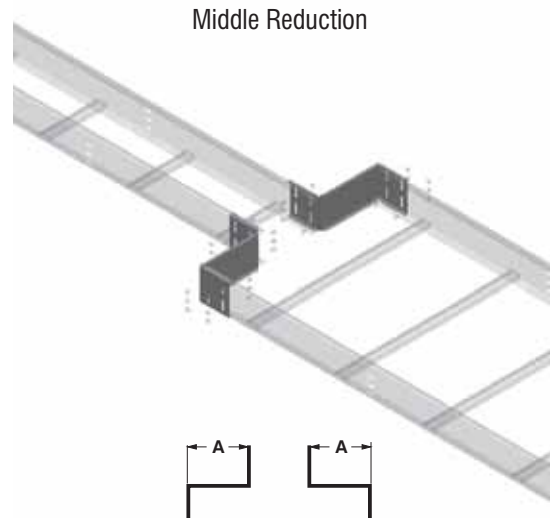
■ Please contact us for special size.

■ Material weights may vary by ± 10%

►► KMH-KMA MIDDLE REDUCTION

Hot Dip Galvanized (TS EN ISO 1461)

Description	H (mm)	A (mm)	T (mm)	Weight (kg/set)	Order Code
40 KMH-KMA RD 25	40	25	2	0,411	3006059
40 KMH-KMA RD 50	40	50	2	0,464	3006057
40 KMH-KMA RD100	40	100	2	0,568	3006055
40 KMH-KMA RD150	40	150	2	0,673	3006053
40 KMH-KMA RD200	40	200	2	0,777	3006051
40 KMH-KMA RD250	40	250	2	0,882	3006049
40 KMH-KMA RD300	40	300	2	0,986	3006047
50 KMH-KMA RD 25	50	25	2	0,488	3006045
50 KMH-KMA RD 50	50	50	2	0,550	3006043
50 KMH-KMA RD100	50	100	2	0,671	3006041
50 KMH-KMA RD150	50	150	2	0,792	3006039
50 KMH-KMA RD200	50	200	2	0,913	3006037
50 KMH-KMA RD250	50	250	2	1,036	3006035
50 KMH-KMA RD300	50	300	2	1,157	3006033
60 KMH-KMA RD 25	60	25	2	0,548	3006031
60 KMH-KMA RD 50	60	50	2	0,616	3006029
60 KMH-KMA RD100	60	100	2	0,755	3006027
60 KMH-KMA RD150	60	150	2	0,893	3006025
60 KMH-KMA RD200	60	200	2	1,034	3006023
60 KMH-KMA RD250	60	250	2	1,173	3006021
60 KMH-KMA RD300	60	300	2	1,311	3006019
75 KMH-KMA RD 25	75	25	2	0,647	3006935
75 KMH-KMA RD 50	75	50	2	0,730	3006933
75 KMH-KMA RD100	75	100	2	0,895	3006931
75 KMH-KMA RD150	75	150	2	1,060	3006929
75 KMH-KMA RD200	75	200	2	1,223	3006927
75 KMH-KMA RD250	75	250	2	1,388	3006925
75 KMH-KMA RD300	75	300	2	1,553	3006923
100 KMH-KMA RD 25	100	25	2	0,838	3006921
100 KMH-KMA RD 50	100	50	2	0,944	3006919
100 KMH-KMA RD100	100	100	2	1,151	3006917
100 KMH-KMA RD150	100	150	2	1,360	3006915
100 KMH-KMA RD200	100	200	2	1,566	3006913
100 KMH-KMA RD250	100	250	2	1,775	3006911
100 KMH-KMA RD300	100	300	2	1,982	3006909



Middle Reduction

Sample Order:

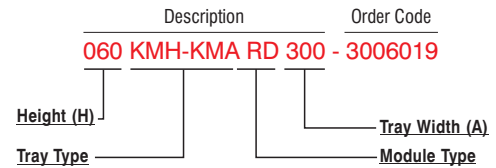
Height (H): 60 mm,

Tray Width (A): 300 mm,

Sheet Metal Thickness (T): 2 mm,

Type of Coating (S): Hot Dip Galvanized,

Module Type: Reduction



Description	H (mm)	A (mm)	T (mm)	Weight (kg/set)	Order Code
125 KMH-KMA RD 25	125	25	2	1,021	3003346
125 KMH-KMA RD 50	125	50	2	1,146	3003347
125 KMH-KMA RD 100	125	100	2	1,397	3003348
125 KMH-KMA RD 150	125	150	2	1,650	3003349
125 KMH-KMA RD 200	125	200	2	1,901	3003350
125 KMH-KMA RD 250	125	250	2	2,152	3003351
125 KMH-KMA RD 300	125	300	2	2,402	3003352
150 KMH-KMA RD 25	150	25	2	1,192	3003353
150 KMH-KMA RD 50	150	50	2	1,340	3003354
150 KMH-KMA RD 100	150	100	2	1,635	3003355
150 KMH-KMA RD 150	150	150	2	1,927	3003356
150 KMH-KMA RD 200	150	200	2	2,222	3003357
150 KMH-KMA RD 250	150	250	2	2,517	3003358
150 KMH-KMA RD 300	150	300	2	2,812	3003359

■ Please indicate order code in your orders.

■ Please contact us for special size.

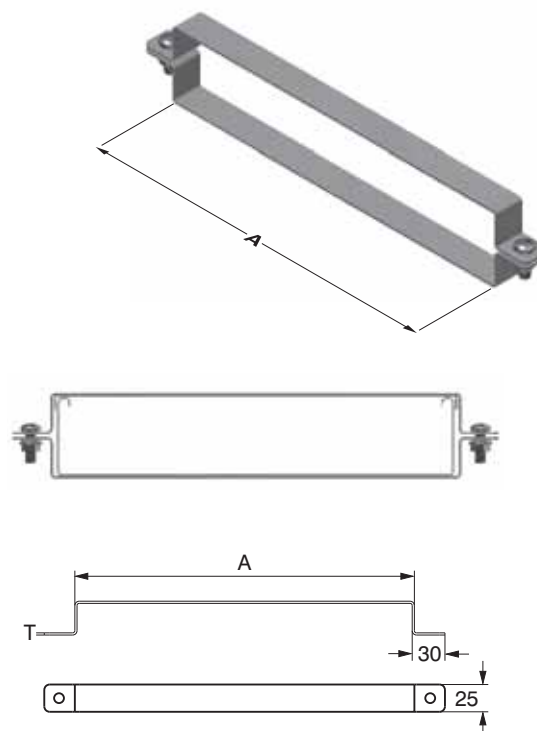
■ Material weights may vary by ± 10%

►► KMH-KMA OMEGA CLAMP

Hot Dip Galvanized (TS EN ISO 1461)

Description	A	T (mm)	Weight (kg/set)	Order Code
40 KMH-KMA OMEGA CLAMP 50	61	2	0,123	3137730
40 KMH-KMA OMEGA CLAMP 100	111	2	0,167	3137731
40 KMH-KMA OMEGA CLAMP 150	161	2	0,211	3137732
40 KMH-KMA OMEGA CLAMP 200	211	2	0,253	3137733
40 KMH-KMA OMEGA CLAMP 250	261	2	0,297	3137734
40 KMH-KMA OMEGA CLAMP 300	311	2	0,341	3137735
40 KMH-KMA OMEGA CLAMP 400	411	2	0,427	3137736
40 KMH-KMA OMEGA CLAMP 500	511	2	0,513	3137737
40 KMH-KMA OMEGA CLAMP 600	611	2	0,598	3137738
50 KMH-KMA OMEGA CLAMP 50	61	2	0,132	3137739
50 KMH-KMA OMEGA CLAMP 100	111	2	0,176	3137740
50 KMH-KMA OMEGA CLAMP 150	161	2	0,220	3137741
50 KMH-KMA OMEGA CLAMP 200	211	2	0,262	3137742
50 KMH-KMA OMEGA CLAMP 250	261	2	0,306	3137743
50 KMH-KMA OMEGA CLAMP 300	311	2	0,350	3137744
50 KMH-KMA OMEGA CLAMP 400	411	2	0,436	3137745
50 KMH-KMA OMEGA CLAMP 500	511	2	0,521	3137747
50 KMH-KMA OMEGA CLAMP 600	611	2	0,607	3137748
60 KMH-KMA OMEGA CLAMP 100	111	2	0,185	3137795
60 KMH-KMA OMEGA CLAMP 150	161	2	0,229	3137796
60 KMH-KMA OMEGA CLAMP 200	211	2	0,271	3137797
60 KMH-KMA OMEGA CLAMP 250	261	2	0,315	3137798
60 KMH-KMA OMEGA CLAMP 300	311	2	0,356	3137799
60 KMH-KMA OMEGA CLAMP 400	411	2	0,444	3137800
60 KMH-KMA OMEGA CLAMP 500	511	2	0,530	3137801
60 KMH-KMA OMEGA CLAMP 600	611	2	0,616	3137802
75 KMH-KMA OMEGA CLAMP 100	111	2	0,198	3137803
75 KMH-KMA OMEGA CLAMP 150	161	2	0,240	3137804
75 KMH-KMA OMEGA CLAMP 200	211	2	0,284	3137805
75 KMH-KMA OMEGA CLAMP 250	261	2	0,328	3137806
75 KMH-KMA OMEGA CLAMP 300	311	2	0,370	3137807
75 KMH-KMA OMEGA CLAMP 400	411	2	0,458	3137808
75 KMH-KMA OMEGA CLAMP 500	511	2	0,543	3137809
75 KMH-KMA OMEGA CLAMP 600	611	2	0,629	3137811
100 KMH-KMA OMEGA CLAMP 100	111	2	0,220	3137812
100 KMH-KMA OMEGA CLAMP 150	161	2	0,262	3137813
100 KMH-KMA OMEGA CLAMP 200	211	2	0,306	3137814
100 KMH-KMA OMEGA CLAMP 250	261	2	0,350	3137815
100 KMH-KMA OMEGA CLAMP 300	311	2	0,392	3137816
100 KMH-KMA OMEGA CLAMP 400	411	2	0,477	3137817
100 KMH-KMA OMEGA CLAMP 500	511	2	0,565	3137818
100 KMH-KMA OMEGA CLAMP 600	611	2	0,651	3137819

KMH-KMA Duct Cover Omega Clamp



Note: Bolt set is included in the product delivered.

Description	A	T (mm)	Weight (kg/set)	Order Code
125 KMH-KMA OMEGA CLAMP 100	111	2	0,240	3137820
125 KMH-KMA OMEGA CLAMP 150	161	2	0,284	3137821
125 KMH-KMA OMEGA CLAMP 200	211	2	0,328	3137822
125 KMH-KMA OMEGA CLAMP 250	261	2	0,370	3137823
125 KMH-KMA OMEGA CLAMP 300	311	2	0,414	3137824
125 KMH-KMA OMEGA CLAMP 400	411	2	0,499	3137825
125 KMH-KMA OMEGA CLAMP 500	511	2	0,585	3137826
125 KMH-KMA OMEGA CLAMP 600	611	2	0,673	3137827
150 KMH-KMA OMEGA CLAMP 100	111	2	0,262	3137828
150 KMH-KMA OMEGA CLAMP 150	161	2	0,306	3137829
150 KMH-KMA OMEGA CLAMP 200	211	2	0,350	3137830
150 KMH-KMA OMEGA CLAMP 250	261	2	0,392	3137831
150 KMH-KMA OMEGA CLAMP 300	311	2	0,436	3137832
150 KMH-KMA OMEGA CLAMP 400	411	2	0,521	3137833
150 KMH-KMA OMEGA CLAMP 500	511	2	0,607	3137834
150 KMH-KMA OMEGA CLAMP 600	611	2	0,695	3137835

■ Please indicate order code in your orders.

■ Material weights may vary by ± 10%

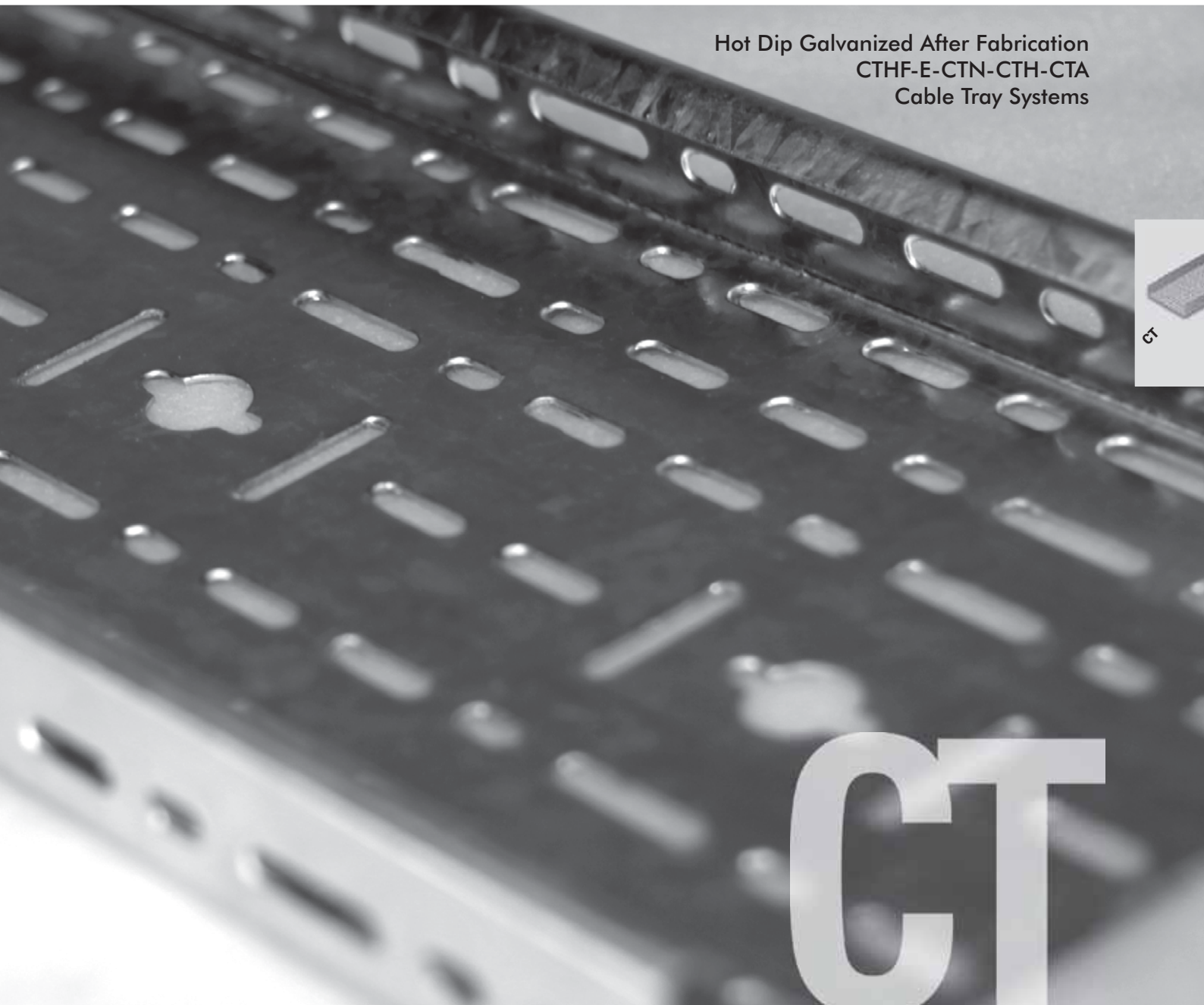
■ Please contact us for special size.

E-LINE CT

CABLE TRAY SYSTEMS



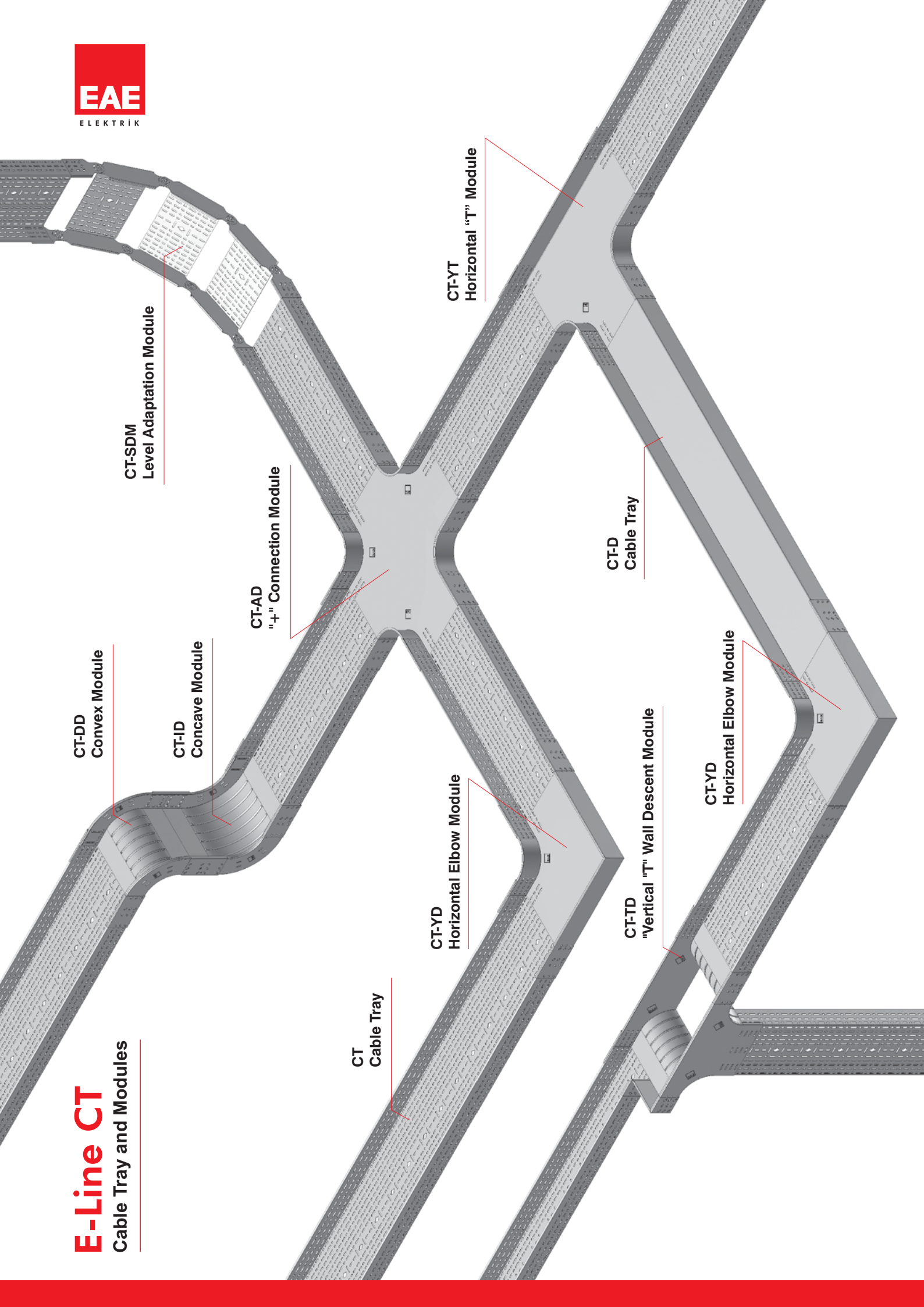
Hot Dip Galvanized After Fabrication
CTHF-E-CTN-CTH-CTA
Cable Tray Systems



CT

E-Line CT

Cable Tray and Modules



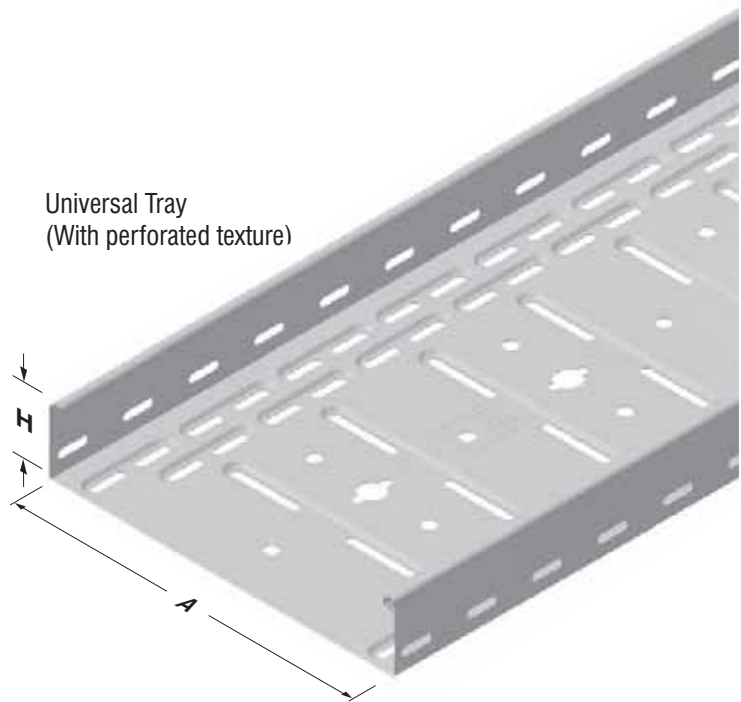
CONTENTS

2-3	CTHF-E Cable Tray and Joint Pieces
4-6	CTN Cable Tray and Joint Pieces
7	CTH Cable Tray
8	CTH-D Cable Tray
9-10	CTH Cable Tray
11-12	CTH-D Cable Tray
13-16	CTE Cable Tray Modules
17-22	CTH Cable Tray Modules
23-28	CTH Tray Cover, Module Cover and CTE Module Cover
29-30	CTA Cable Tray and Cover
31-32	CTA-D Cable Tray
33-72	CTA Cable Tray Modules and Module Covers
73-76	CT Cover Clamp, Joint Bolt Set, Joint Pieces, Expansion Set
77	CTE Cable Tray Modules
78	CT Flexible Elbow Module
79	CT Level Adaptation Module
80	CT Termination Module
81	CT Level Adaptation Joint, CT SDE Elbow Protection Plate
82	CT-KC-KM Flexible Joint, CT Separator
83	CTH-CTA Omega Clamp
84-85	CT Reduction

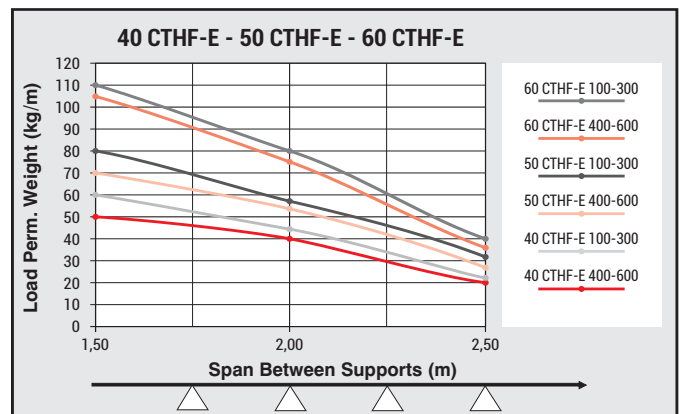
▶▶ CTHF-E CABLE TRAYS

Hot Dip Galvanized After Fabrication (TS EN ISO 1461)

Description	H (mm)	A (mm)	T (mm)	Weight (kg./m.)	Order Code
40 CTHF-E 100	40	100	0,7	1,111	3109046
40 CTHF-E 200	40	200	0,7	1,637	3109047
40 CTHF-E 300	40	300	0,7	2,234	3109048
40 CTHF-E 400	40	400	0,9	3,578	3125791
40 CTHF-E 500	40	500	0,9	4,309	3125792
40 CTHF-E 600	40	600	0,9	5,053	3125793
50 CTHF-E 100	50	100	0,7	1,247	3109049
50 CTHF-E 200	50	200	0,7	1,758	3109050
50 CTHF-E 300	50	300	0,7	2,329	3109051
50 CTHF-E 400	50	400	0,9	3,734	3109052
50 CTHF-E 500	50	500	0,9	4,465	3109053
50 CTHF-E 600	50	600	0,9	5,208	3109054
60 CTHF-E 100	60	100	0,7	1,415	3109055
60 CTHF-E 200	60	200	0,7	1,879	3109056
60 CTHF-E 300	60	300	0,7	2,450	3109057
60 CTHF-E 400	60	400	0,9	3,889	3109058
60 CTHF-E 500	60	500	0,9	4,621	3109059
60 CTHF-E 600	60	600	0,9	5,363	3109060



Universal Tray
(With perforated texture)



■ Load Perm. Weight may change +/- according to the sheet tolerance and hardness.

Please contact to your customer representative for detailed information.

▶▶ CTHF-E JOINT PIECE

Hot Dip Galvanized After Fabrication (TS EN ISO 1461)

Description	H (mm)	T (mm)	Weight (kg./pc.)	Order Code
040 CTHF-E JOINT PIECE	40	1,2	0,121	3127207
050 CTHF-E JOINT PIECE	50	1,2	0,153	3127208
060 CTHF-E JOINT PIECE	60	1,2	0,160	3127209



040 CTHF-E Joint Piece Assembly; 4 Units M6x12 Bolts, 4 Units M6 Bolt Nuts are used.

050 CTHF-E Joint Piece Assembly; 4 Units M6x12 Bolts, 4 Units M6 Bolt Nuts are used.

060 CTHF-E Joint Piece Assembly; 4 Units M6x12 Bolts, 4 Units M6 Bolt Nuts are used.

■ CTHF-E Trays:

Compatible with CTE Series Cable Tray Modules
(See Ct section pages between 13 and 21)

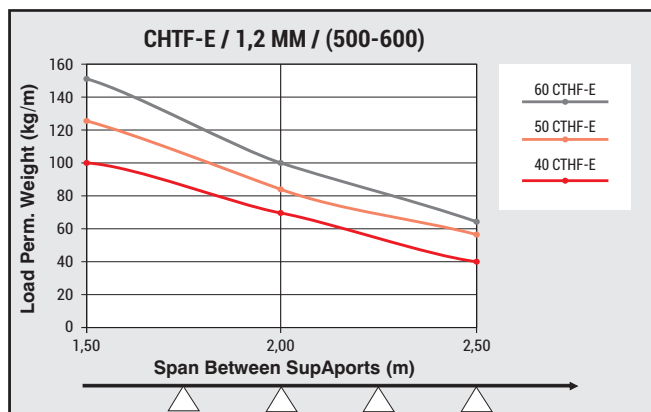
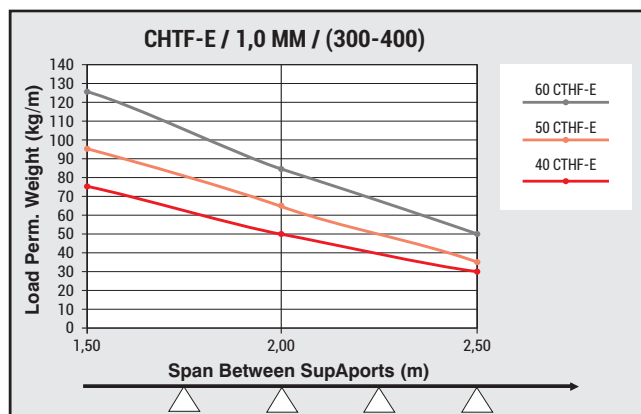
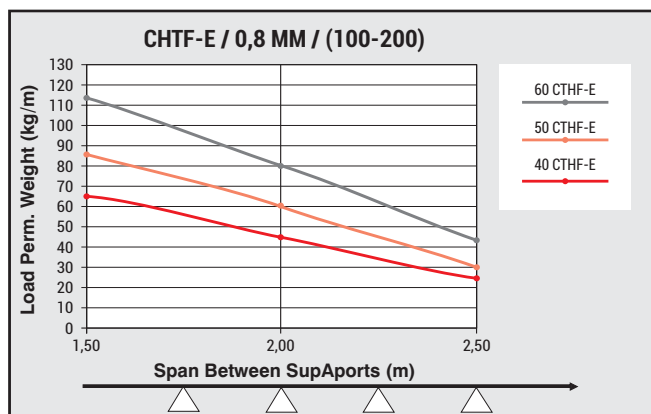
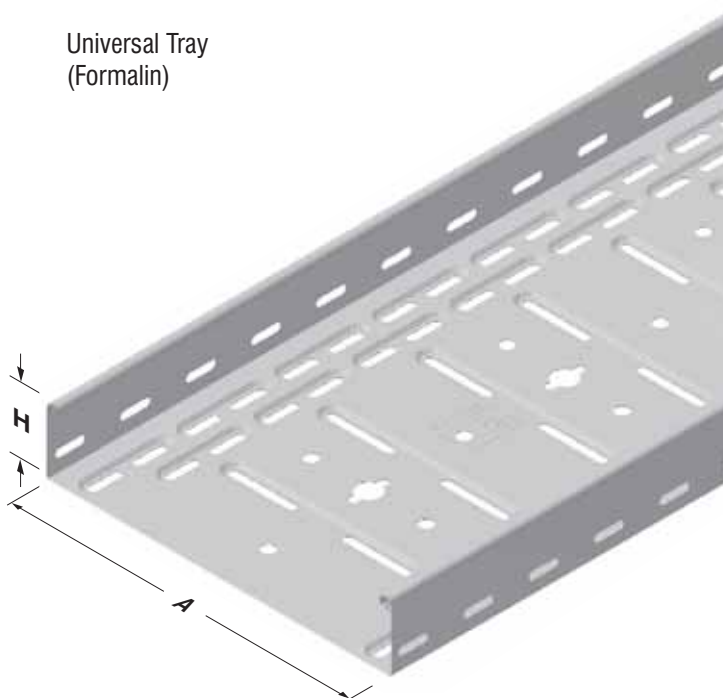
- Standard length is 3000 mm.
- Please indicate order code in your orders.
- Please contact us for special dimensions.
- Material weights may vary by ± 10%

▶▶ CTHF-E CABLE TRAYS

Hot Dip Galvanized After Fabrication (TS EN ISO 1461)

Description	H (mm)	A (mm)	T (mm)	Weight (kg./m.)	Order Code
40 CTHF-E 100	40	100	0,8	1,269	3127183
40 CTHF-E 200	40	200	0,8	1,871	3127184
40 CTHF-E 300	40	300	1	3,192	3127185
40 CTHF-E 400	40	400	1	3,976	3127186
40 CTHF-E 500	40	500	1,2	5,747	3127187
40 CTHF-E 600	40	600	1,2	6,737	3127188
<hr/>					
50 CTHF-E 100	50	100	0,8	1,426	3127189
50 CTHF-E 200	50	200	0,8	2,009	3127190
50 CTHF-E 300	50	300	1	3,328	3127191
50 CTHF-E 400	50	400	1	4,149	3127192
50 CTHF-E 500	50	500	1,2	5,954	3127193
50 CTHF-E 600	50	600	1,2	6,944	3127194
<hr/>					
60 CTHF-E 100	60	100	0,8	1,618	3127195
60 CTHF-E 200	60	200	0,8	2,147	3127196
60 CTHF-E 300	60	300	1	3,500	3127197
60 CTHF-E 400	60	400	1	4,321	3127198
60 CTHF-E 500	60	500	1,2	6,161	3127199
60 CTHF-E 600	60	600	1,2	7,151	3127200

Universal Tray (Formalin)



■ **CTHF-E Trays:**

Compatible with CTE Series Cable Tray Modules
(See Ct section pages between 13 and 21)

- Standard length is 3000 mm.
- Please indicate order code in your orders.
- Please contact us for special dimensions.
- Material weights may vary by ± 10%

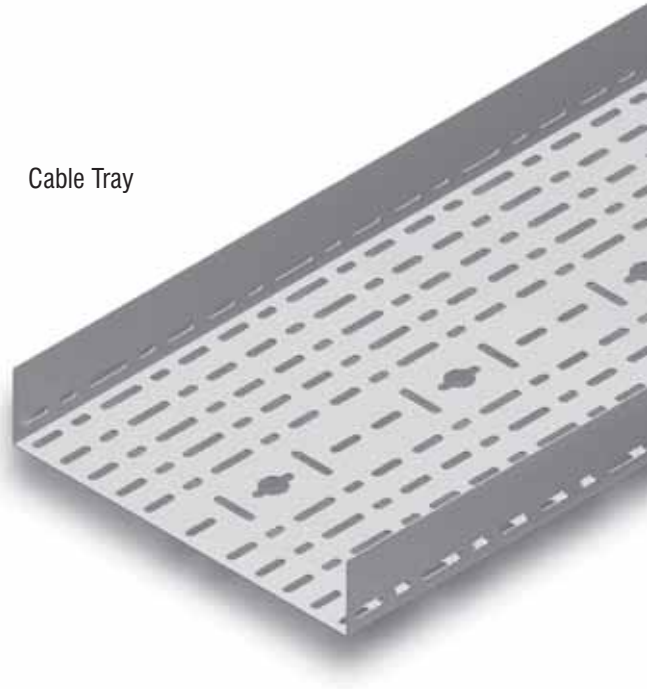
▶▶ CTN CABLE TRAYS

Hot Dip Galvanized After Fabrication (TS EN ISO 1461)

Description	H (mm)	A (mm)	T (mm)	Weight (kg./m)	Order Code
40 CTN 050	40	50	1	0,950	3000052
40 CTN 100	40	100	1	1,310	3000104
40 CTN 150	40	150	1	1,660	3000054
40 CTN 200	40	200	1	2,010	3000055
50 CTN 100	50	100	1	1,480	3000056
50 CTN 150	50	150	1	1,830	3000057
50 CTN 200	50	200	1	2,190	3000058
60 CTN 100	60	100	1	1,650	3000059
60 CTN 150	60	150	1	2,010	3000060
60 CTN 200	60	200	1	2,360	3000061



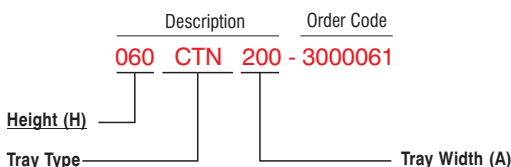
Cable Tray



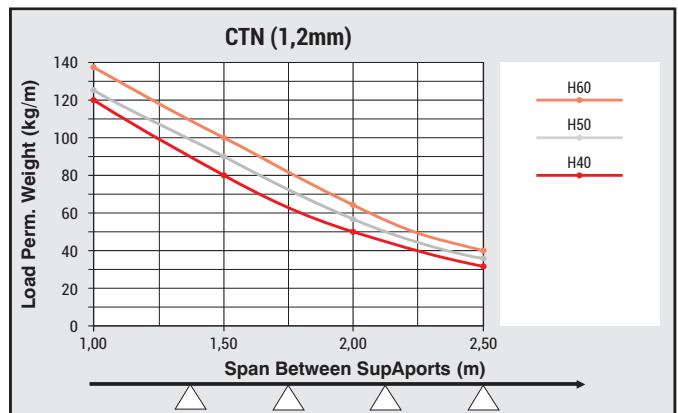
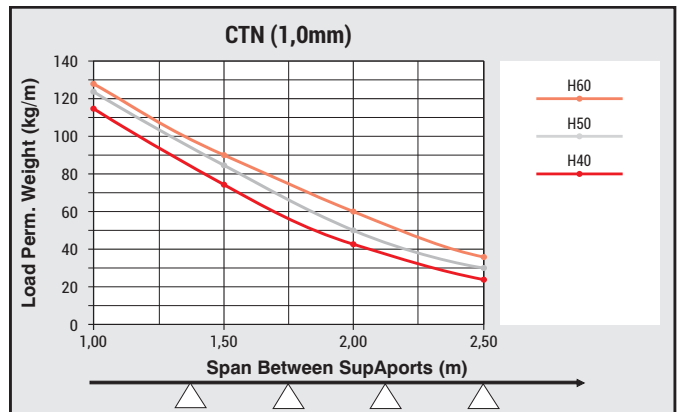
▶▶ CTN CABLE TRAYS

Hot Dip Galvanized After Fabrication (TS EN ISO 1461)

Description	H (mm)	A (mm)	T (mm)	Weight (kg./m)	Order Code
40 CTN 050	40	50	1,2	1,136	3000037
40 CTN 100	40	100	1,2	1,562	3000038
40 CTN 150	40	150	1,2	1,984	3000039
40 CTN 200	40	200	1,2	2,410	3000105
40 CTN 250	40	250	1,2	2,835	3000040
40 CTN 300	40	300	1,2	3,258	3000041
50 CTN 100	50	100	1,2	1,848	3000042
50 CTN 150	50	150	1,2	2,192	3000043
50 CTN 200	50	200	1,2	2,617	3000044
50 CTN 250	50	250	1,2	3,042	3000045
50 CTN 300	50	300	1,2	3,466	3000046
60 CTN 100	60	100	1,2	1,976	3000047
60 CTN 150	60	150	1,2	2,399	3000048
60 CTN 200	60	200	1,2	2,825	3000049
60 CTN 250	60	250	1,2	3,248	3000050
60 CTN 300	60	300	1,2	3,673	3000051



H=040, H=050, H=060 single line perforated



- Load Perm. Weight may change +/- according to the sheet tolerance and hardness. Please contact to your customer representative for detailed information.

■ CTN cable trays are compatible with all modules and accessories of CTH and CTA cable trays.

■ Please indicate order code in your orders.

■ Material weights may vary by ± 10%

■ Standard length is 3000 mm.

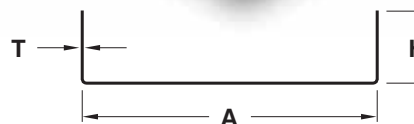
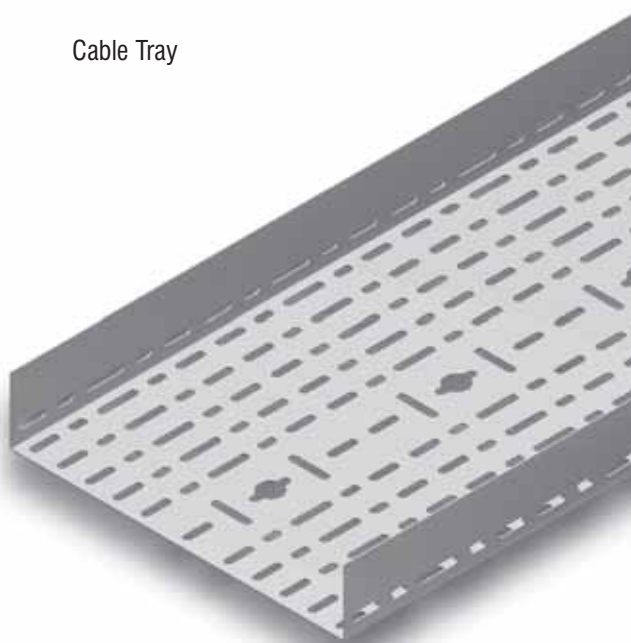
■ Please contact us for special dimensions.

▶▶ CTN CABLE TRAYS

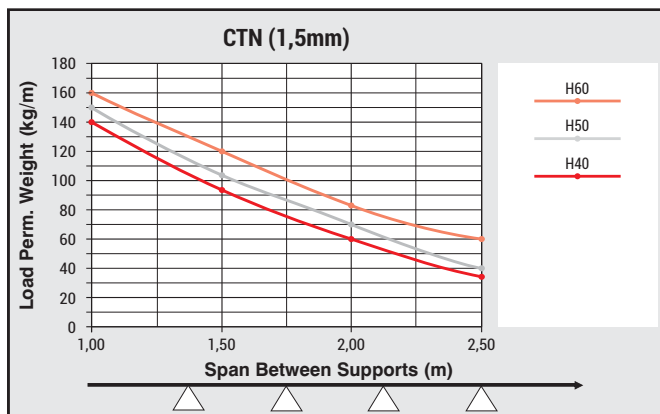
Hot Dip Galvanized After Fabrication (TS EN ISO 1461)

Description	H (mm)	A (mm)	T (mm)	Weight (kg./m)	Order Code
40 CTN 050	40	50	1,5	1,410	3000062
40 CTN 100	40	100	1,5	1,940	3000063
40 CTN 150	40	150	1,5	2,470	3000064
40 CTN 200	40	200	1,5	3,000	3000065
40 CTN 250	40	250	1,5	3,530	3000066
40 CTN 300	40	300	1,5	4,060	3000067
40 CTN 400	40	400	1,5	5,122	3000022
40 CTN 500	40	500	1,5	6,182	3000023
40 CTN 600	40	600	1,5	7,244	3000024
<hr/>					
50 CTN 050	50	50	1,5	1,667	3000071
50 CTN 100	50	100	1,5	2,198	3000072
50 CTN 150	50	150	1,5	2,727	3000073
50 CTN 200	50	200	1,5	3,258	3000074
50 CTN 250	50	250	1,5	3,790	3000075
50 CTN 300	50	300	1,5	4,320	3000076
50 CTN 400	50	400	1,5	5,380	3000077
50 CTN 500	50	500	1,5	6,442	3000078
50 CTN 600	50	600	1,5	7,503	3000079
<hr/>					
60 CTN 100	60	100	1,5	2,460	3000080
60 CTN 150	60	150	1,5	3,000	3000081
60 CTN 200	60	200	1,5	3,520	3000082
60 CTN 250	60	250	1,5	4,050	3000083
60 CTN 300	60	300	1,5	4,580	3000084
60 CTN 400	60	400	1,5	5,640	3000025
60 CTN 500	60	500	1,5	6,700	3000026
60 CTN 600	60	600	1,5	7,762	3000027

Cable Tray

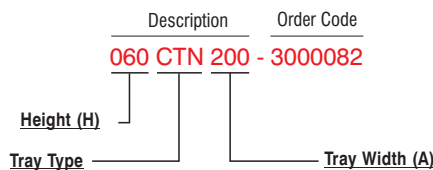


H=040, H=050, H=060 single line perforated



- Load Perm. Weight may change +/- according to the sheet tolerance and hardness. Please contact to your customer representative for detailed information.

Sample Order:
 Height (H): 60 mm,
 Tray Width (A): 200 mm,
 Sheet Metal Thickness (T): 1,5 mm,
 Type of Coating (S): Hot Dip Galvanized,
 Module Type: Cable Tray.



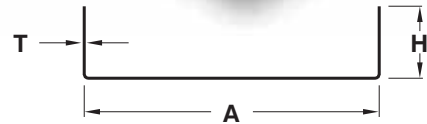
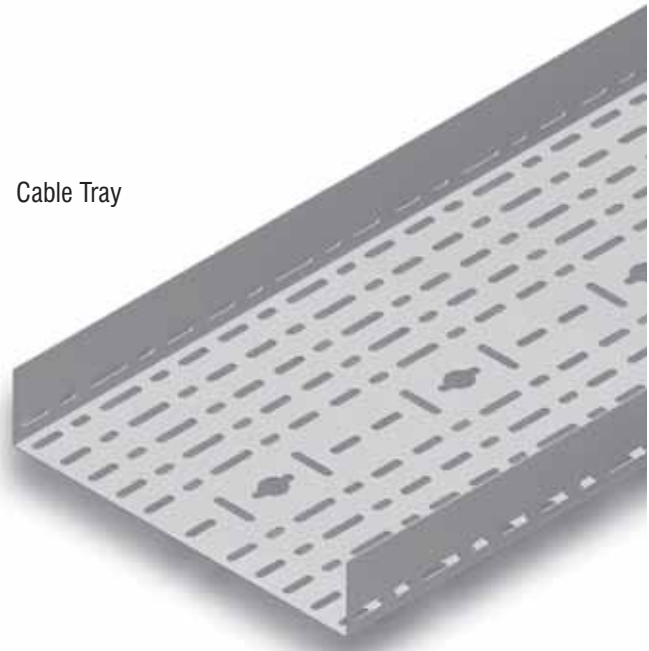
- CTN cable trays are compatible with all modules and accessories of CTH and CTA cable trays.
- Please indicate order code in your orders.
- Material weights may vary by ± 10%
- Standard length is 3000 mm.
- Please contact us for special dimensions.

▶▶ CTN CABLE TRAYS

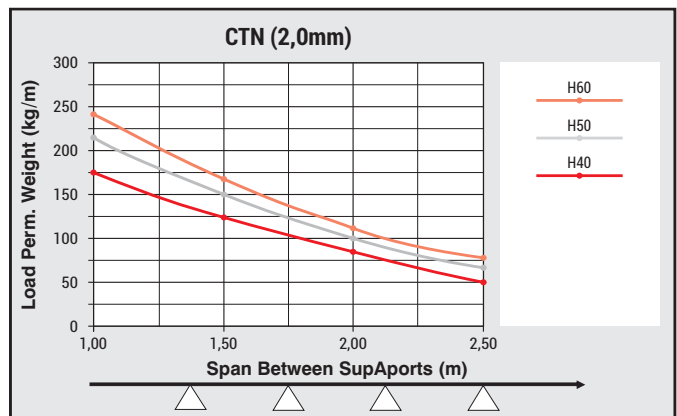
Hot Dip Galvanized After Fabrication (TS EN ISO 1461)

Description	H (mm)	A (mm)	T (mm)	Weight (kg./m)	Order Code
40 CTN 050	40	50	2	1,849	3000011
40 CTN 100	40	100	2	2,558	3000012
40 CTN 150	40	150	2	3,263	3000013
40 CTN 200	40	200	2	3,971	3000014
40 CTN 250	40	250	2	4,678	3000015
40 CTN 300	40	300	2	5,386	3000016
40 CTN 400	40	400	2	6,800	3000068
40 CTN 500	40	500	2	8,220	3000069
40 CTN 600	40	600	2	9,630	3000070
50 CTN 050	50	50	2	2,195	3000028
50 CTN 100	50	100	2	2,903	3000029
50 CTN 150	50	150	2	3,608	3000030
50 CTN 200	50	200	2	4,316	3000031
50 CTN 250	50	250	2	5,024	3000032
50 CTN 300	50	300	2	5,731	3000033
50 CTN 400	50	400	2	7,146	3000034
50 CTN 500	50	500	2	8,560	3000035
50 CTN 600	50	600	2	9,976	3000036
60 CTN 100	60	100	2	3,248	3000017
60 CTN 150	60	150	2	3,953	3000018
60 CTN 200	60	200	2	4,662	3000019
60 CTN 250	60	250	2	5,369	3000020
60 CTN 300	60	300	2	6,076	3000021
60 CTN 400	60	400	2	7,500	3000085
60 CTN 500	60	500	2	8,910	3000086
60 CTN 600	60	600	2	10,320	3000087

Cable Tray



H=040, H=050, H=060 single line perforated



■ Load Perm. Weight may change +/- according to the sheet tolerance and hardness.

Please contact to your customer representative for detailed information.

SampleOrder:

- Height (H): 50 mm,
- Tray Width (A): 200 mm,
- Sheet Metal Thickness (T): 2 mm,
- Type of Coating (S): Hot Dip Galvanized,
- Module Type: Cable Tray

▶▶ CTN ADDITIONAL PIECE

Hot Dip Galvanized After Fabrication (TS EN ISO 1461)

Description	H (mm)	T (mm)	Weight (kg./m)	Order Code
CTN ADDITIONAL PIECE	40-50-60	1,5	0,146	3002182
CTN ADDITIONAL PIECE	40-50-60	2	0,191	3001965



Description Order Code
050 CTN 200 - 3000031



■ CTN cable trays are compatible with all modules and accessories of CTH and CTA cable trays.

■ Please indicate order code in your orders.

■ Material weights may vary by ± 10%

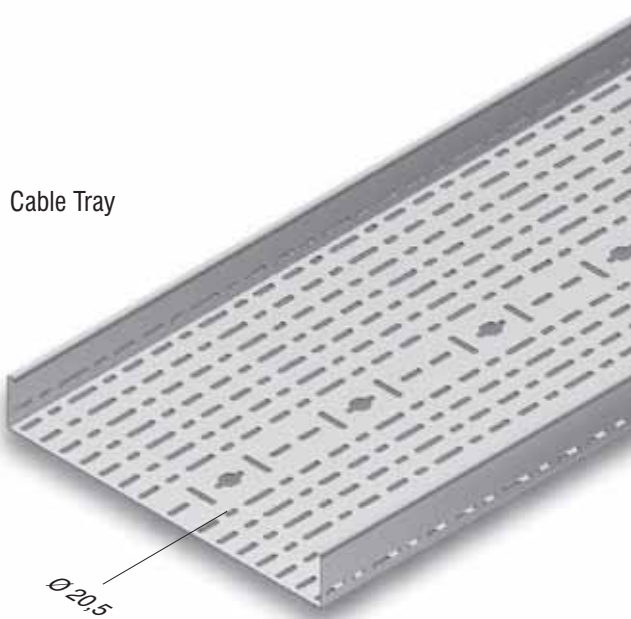
■ Standard length is 3000 mm.

■ Please contact us for special dimensions.

▶▶ CTH CABLE TRAYS

Hot Dip Galvanized After Fabrication (TS EN ISO 1461)

Description	H (mm)	A (mm)	T (mm)	Weight (kg./m)	Order Code
040 CTH 050	40	50	1	1,073	3001217
040 CTH 100	40	100	1	1,427	3001218
040 CTH 150	40	150	1	1,781	3001219
040 CTH 200	40	200	1	2,134	3001220
050 CTH 100	50	100	1	1,600	3001221
050 CTH 150	50	150	1	1,953	3001222
050 CTH 200	50	200	1	2,307	3001223
060 CTH 100	60	100	1	1,773	3001224
060 CTH 150	60	150	1	2,126	3001225
060 CTH 200	60	200	1	2,479	3001226



Cable Tray

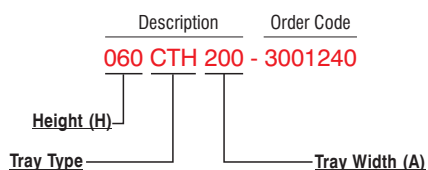
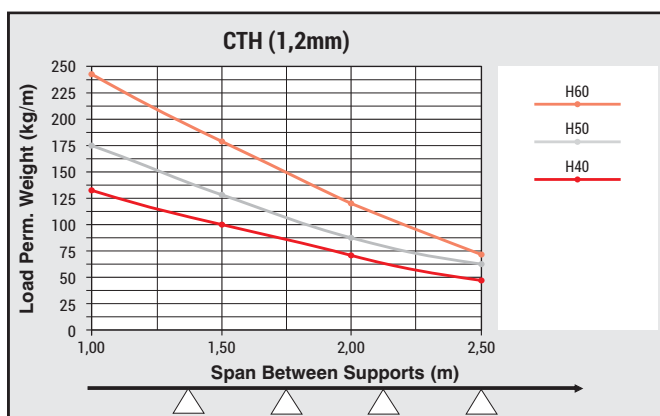
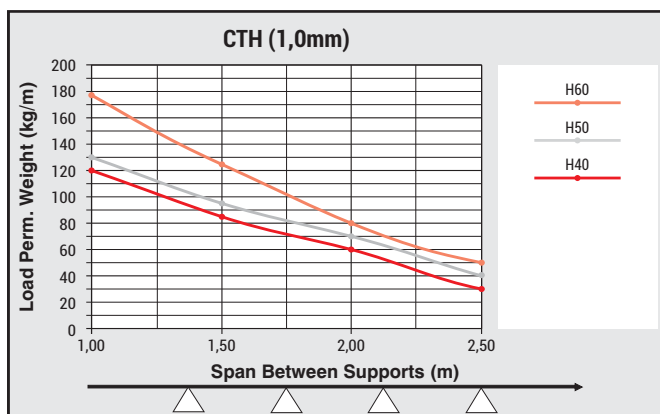
Ø 20,5



▶▶ CTH CABLE TRAYS

Hot Dip Galvanized After Fabrication (TS EN ISO 1461)

Description	H (mm)	A (mm)	T (mm)	Weight (kg./m)	Order Code
040 CTH 050	40	50	1,2	1,282	3001227
040 CTH 100	40	100	1,2	1,707	3001228
040 CTH 150	40	150	1,2	2,131	3001229
040 CTH 200	40	200	1,2	2,555	3001230
040 CTH 250	40	250	1,2	2,980	3001231
040 CTH 300	40	300	1,2	3,404	3001232
050 CTH 100	50	100	1,2	1,915	3001233
050 CTH 150	50	150	1,2	2,339	3001234
050 CTH 200	50	200	1,2	2,762	3001235
050 CTH 250	50	250	1,2	3,187	3001236
050 CTH 300	50	300	1,2	3,612	3001237
060 CTH 100	60	100	1,2	2,122	3001238
060 CTH 150	60	150	1,2	2,546	3001239
060 CTH 200	60	200	1,2	2,970	3001240
060 CTH 250	60	250	1,2	3,395	3001241
060 CTH 300	60	300	1,2	3,819	3001242



■ Load Perm. Weight may change +/- according to the sheet tolerance and hardness. Please contact to your customer representative for detailed information.

- Please indicate order code in your orders.
- For special orders and specifications please contact us.
- Material weights may vary by ± 10%

■ Standard Length 3000 mm.

▶▶ CTH-D CABLE TRAYS

Hot Dip Galvanized After Fabrication (TS EN ISO 1461)

Description	H (mm)	A (mm)	T (mm)	Weight (kg./m)	Order Code
040 CTH-D 050	40	50	1	1,209	3001243
040 CTH-D 100	40	100	1	1,640	3001244
040 CTH-D 150	40	150	1	2,072	3001245
040 CTH-D 200	40	200	1	2,504	3001246
050 CTH-D 100	50	100	1	1,813	3001247
050 CTH-D 150	50	150	1	2,245	3001248
050 CTH-D 200	50	200	1	2,677	3001249
060 CTH-D 100	60	100	1	1,986	3001250
060 CTH-D 150	60	150	1	2,418	3001251
060 CTH-D 200	60	200	1	2,849	3001252

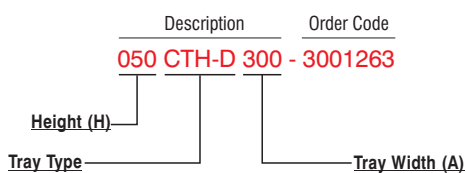
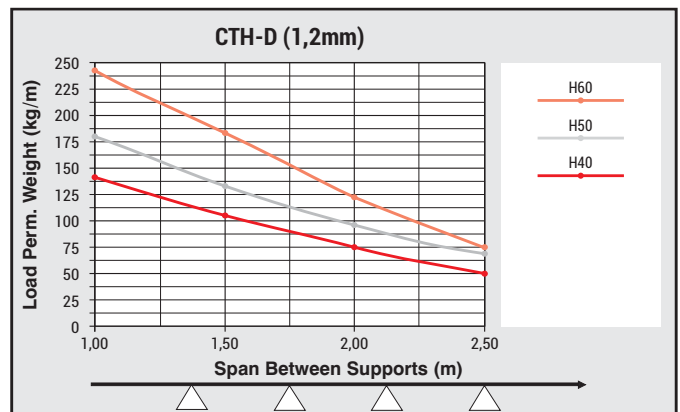
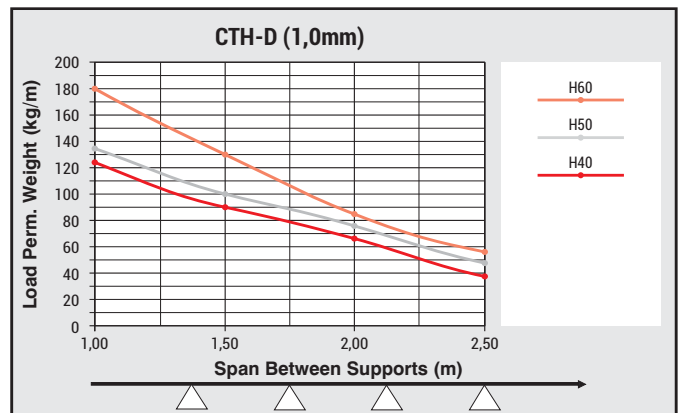
Non Perforated Cable Trays



▶▶ CTH-D CABLE TRAYS

Hot Dip Galvanized After Fabrication (TS EN ISO 1461)

Description	H (mm)	A (mm)	T (mm)	Weight (kg./m)	Order Code
040 CTH-D 050	40	50	1,2	1,445	3001253
040 CTH-D 100	40	100	1,2	1,963	3001254
040 CTH-D 150	40	150	1,2	2,481	3001255
040 CTH-D 200	40	200	1,2	2,999	3001256
040 CTH-D 250	40	250	1,2	3,517	3001257
040 CTH-D 300	40	300	1,2	4,036	3001258
050 CTH-D 100	50	100	1,2	2,170	3001259
050 CTH-D 150	50	150	1,2	2,688	3001260
050 CTH-D 200	50	200	1,2	3,207	3001261
050 CTH-D 250	50	250	1,2	3,746	3001262
050 CTH-D 300	50	300	1,2	4,243	3001263
060 CTH-D 100	60	100	1,2	2,377	3001264
060 CTH-D 150	60	150	1,2	2,896	3001265
060 CTH-D 200	60	200	1,2	3,414	3001266
060 CTH-D 250	60	250	1,2	3,932	3001267
060 CTH-D 300	60	300	1,2	4,450	3001268



■ Load Perm. Weight may change +/- according to the sheet tolerance and hardness.

Please contact to your customer representative for detailed information.

■ Standard Length 3000 mm.

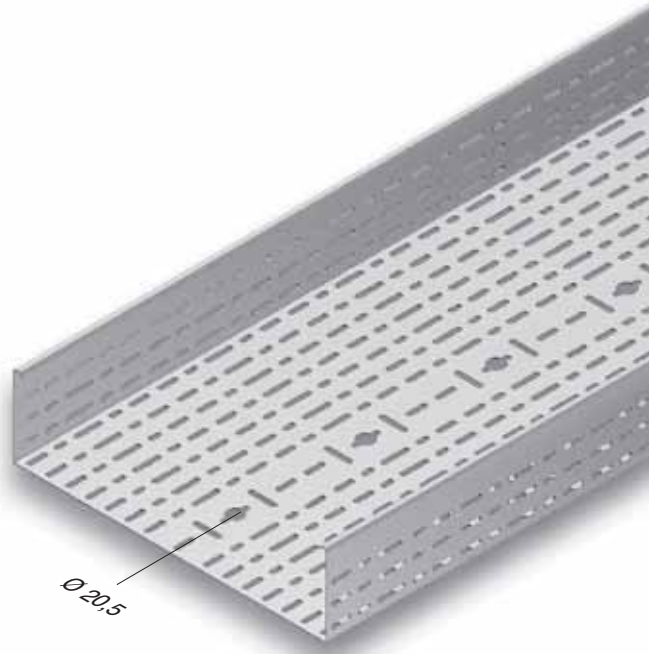
- Please indicate order code in your orders.
- For special orders and specifications please contact us.
- Material weights may vary by ± 10%

▶▶ CTH CABLE TRAYS

Hot Dip Galvanized After Fabrication (TS EN ISO 1461)

Description	H (mm)	A (mm)	T (mm)	Weight (kg./m)	Order Code
040 CTH 050	40	50	1,5	1,631	3005826
040 CTH 100	40	100	1,5	2,163	3000169
040 CTH 150	40	150	1,5	2,692	3000167
040 CTH 200	40	200	1,5	3,262	3000165
040 CTH 250	40	250	1,5	3,792	3000163
040 CTH 300	40	300	1,5	4,323	3000161
040 CTH 400	40	400	1,5	5,384	3000159
040 CTH 500	40	500	1,5	6,444	3000157
040 CTH 600	40	600	1,5	7,506	3000155
050 CTH 050	50	50	1,5	1,865	3001155
050 CTH 100	50	100	1,5	2,435	3007920
050 CTH 150	50	150	1,5	2,965	3007324
050 CTH 200	50	200	1,5	3,520	3007918
050 CTH 250	50	250	1,5	4,051	3007322
050 CTH 300	50	300	1,5	4,582	3007916
050 CTH 400	50	400	1,5	5,643	3007914
050 CTH 500	50	500	1,5	6,703	3007912
050 CTH 600	50	600	1,5	7,765	3007910
060 CTH 100	60	100	1,5	2,694	3000153
060 CTH 150	60	150	1,5	3,223	3000151
060 CTH 200	60	200	1,5	3,780	3000149
060 CTH 250	60	250	1,5	4,310	3000147
060 CTH 300	60	300	1,5	4,841	3000145
060 CTH 400	60	400	1,5	5,902	3000143
060 CTH 500	60	500	1,5	6,963	3000141
060 CTH 600	60	600	1,5	8,024	3000139
075 CTH 100	75	100	1,5	2,965	3007320
075 CTH 150	75	150	1,5	3,521	3007318
075 CTH 200	75	200	1,5	4,051	3007908
075 CTH 250	75	250	1,5	4,582	3007316
075 CTH 300	75	300	1,5	5,112	3007906
075 CTH 400	75	400	1,5	6,173	3007904
075 CTH 500	75	500	1,5	7,234	3007902
075 CTH 600	75	600	1,5	8,296	3007900
100 CTH 100	100	100	1,5	3,522	3001156
100 CTH 150	100	150	1,5	4,052	3007314
100 CTH 200	100	200	1,5	4,582	3007898
100 CTH 250	100	250	1,5	5,113	3007312
100 CTH 300	100	300	1,5	5,643	3007896
100 CTH 400	100	400	1,5	6,704	3007894
100 CTH 500	100	500	1,5	7,765	3007892
100 CTH 600	100	600	1,5	8,826	3007890

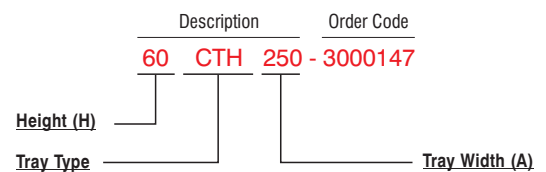
Cable Trays



H=040, H=050, H=060 single row perforated.
 H=075 two rows perforated.
 H=100 three rows perforated.
 H=125 four rows perforated.
 H=150 five rows perforated.

Sample Order:

Height (H): 60 mm,
 Tray Width (A): 250 mm,
 Sheet Metal Thickness (T): 1,5 mm,
 Type of Coating (S): Hot Dip Galvanized,
 Module Type: Cable Tray



■ Please indicate order code in your orders.

■ Material weights may vary by ± 10%

■ Standard length is 3000 mm.

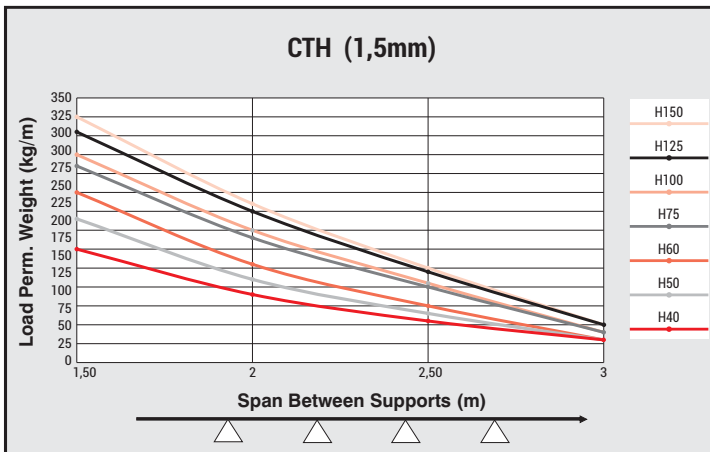
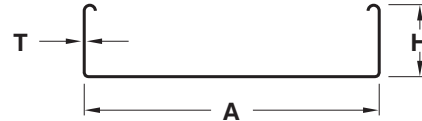
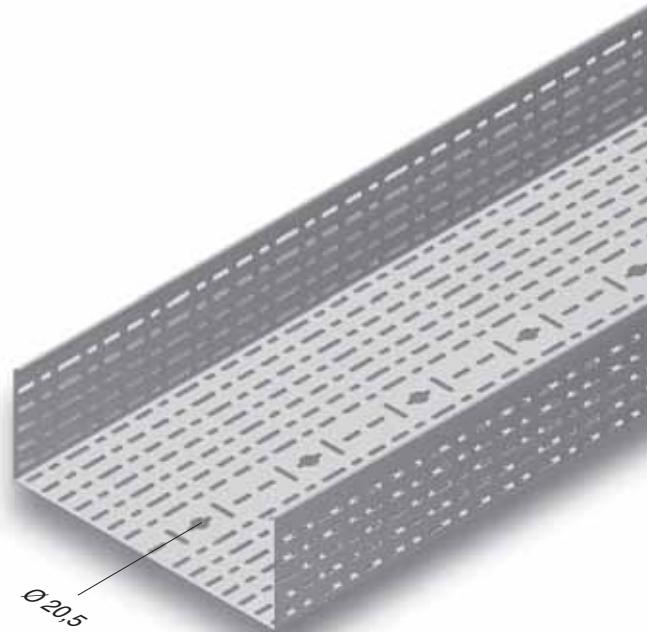
■ For special orders and specifications please contact us.

▶▶ CTH CABLE TRAYS

Hot Dip Galvanized After Fabrication (TS EN ISO 1461)

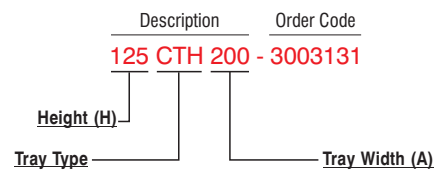
Description	H (mm)	A (mm)	T (mm)	Weight (kg./m)	Order Code
125 CTH 150	125	150	1,5	4,583	3003130
125 CTH 200	125	200	1,5	5,203	3003131
125 CTH 250	125	250	1,5	5,741	3003132
125 CTH 300	125	300	1,5	6,382	3003133
125 CTH 400	125	400	1,5	7,575	3003134
125 CTH 500	125	500	1,5	8,813	3003135
125 CTH 600	125	600	1,5	10,051	3003136
150 CTH 200	150	200	1,5	5,644	3003137
150 CTH 250	150	250	1,5	6,313	3003138
150 CTH 300	150	300	1,5	6,922	3003139
150 CTH 400	150	400	1,5	8,216	3003140
150 CTH 500	150	500	1,5	9,561	3003141
150 CTH 600	150	600	1,5	10,902	3003142

Cable Tray



H=040, H=050, H=060 single row perforated.
 H=075 two rows perforated. H=100 three rows perforated.
 H=125 four rows perforated. H=150 five rows perforated.

Sample Order:
 Height (H): 125 mm,
 Width (A): 200 mm,
 Sheet Thickness (T): 1,5 mm,
 Coating Type (S): Hot Dip Galvanized,
 Module Type: Cable Trays.



■ Load Perm. Weight may change +/- according to the sheet tolerance and hardness.
 Please contact to your customer representative for detailed information.

■ Please indicate order code in your orders.

■ Material weights may vary by ± 10%

■ Standard Length 3000 mm.

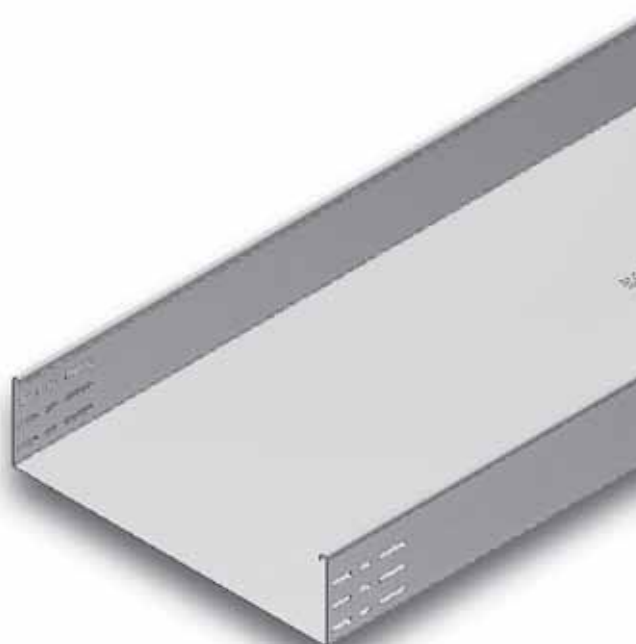
■ For special orders and specifications please contact us.

▶▶ CTH-D CABLE TRAYS

Hot Dip Galvanized After Fabrication (TS EN ISO 1461)

Description	H (mm)	A (mm)	T (mm)	Weight (kg./m)	Order Code
040 CTH-D 050	40	50	1,5	1,835	3001269
040 CTH-D 100	40	100	1,5	2,482	3001270
040 CTH-D 150	40	150	1,5	3,143	3001271
040 CTH-D 200	40	200	1,5	3,817	3001272
040 CTH-D 250	40	250	1,5	4,464	3001273
040 CTH-D 300	40	300	1,5	5,112	3001274
040 CTH-D 400	40	400	1,5	6,407	3001275
040 CTH-D 500	40	500	1,5	7,702	3001276
040 CTH-D 600	40	600	1,5	8,998	3001277
050 CTH-D 050	50	50	1,5	2,068	3001278
050 CTH-D 100	50	100	1,5	2,754	3001279
050 CTH-D 150	50	150	1,5	3,402	3001280
050 CTH-D 200	50	200	1,5	4,076	3001281
050 CTH-D 250	50	250	1,5	4,723	3001282
050 CTH-D 300	50	300	1,5	5,371	3001283
050 CTH-D 400	50	400	1,5	6,666	3001284
050 CTH-D 500	50	500	1,5	7,961	3001285
050 CTH-D 600	50	600	1,5	9,257	3001286
060 CTH-D 100	60	100	1,5	2,980	3001287
060 CTH-D 150	60	150	1,5	3,661	3001288
060 CTH-D 200	60	200	1,5	4,335	3001289
060 CTH-D 250	60	250	1,5	4,982	3001290
060 CTH-D 300	60	300	1,5	5,630	3001291
060 CTH-D 400	60	400	1,5	6,925	3001292
060 CTH-D 500	60	500	1,5	8,220	3001293
060 CTH-D 600	60	600	1,5	9,516	3001294
075 CTH-D 100	75	100	1,5	3,394	3001295
075 CTH-D 150	75	150	1,5	4,067	3001296
075 CTH-D 200	75	200	1,5	4,715	3001297
075 CTH-D 250	75	250	1,5	5,362	3001298
075 CTH-D 300	75	300	1,5	6,010	3001299
075 CTH-D 400	75	400	1,5	7,305	3001300
075 CTH-D 500	75	500	1,5	8,601	3001301
075 CTH-D 600	75	600	1,5	9,896	3001302
100 CTH-D 100	100	100	1,5	4,059	3001303
100 CTH-D 150	100	150	1,5	4,706	3001304
100 CTH-D 200	100	200	1,5	5,354	3001305
100 CTH-D 250	100	250	1,5	6,001	3001306
100 CTH-D 300	100	300	1,5	6,649	3001307
100 CTH-D 400	100	400	1,5	7,944	3001308
100 CTH-D 500	100	500	1,5	9,240	3001309
100 CTH-D 600	100	600	1,5	10,535	3001310

Non Perforated Cable Trays



H=040, H=050, H=060 single row perforated.
 H=075 two rows perforated.
 H=100 three rows perforated.

Sample Order:
 Height (H): 75 mm,
 Width (A): 500 mm,
 Sheet Thickness (T): 1,5 mm,
 Coating Type (S): Hot Dip Galvanized,
 Module Type: Non Perforated Cable Trays

- Please indicate order code in your orders.
- Material weights may vary by $\pm 10\%$

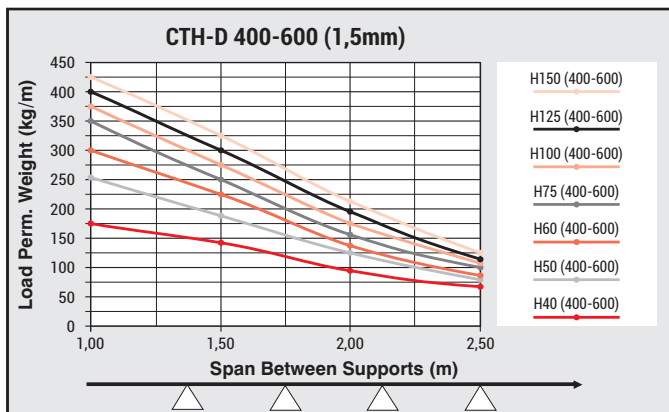
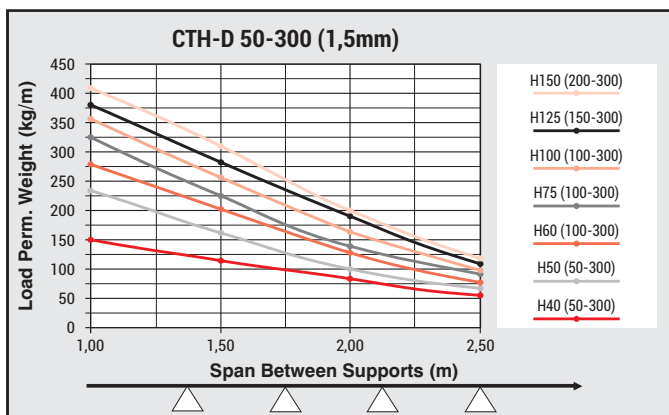
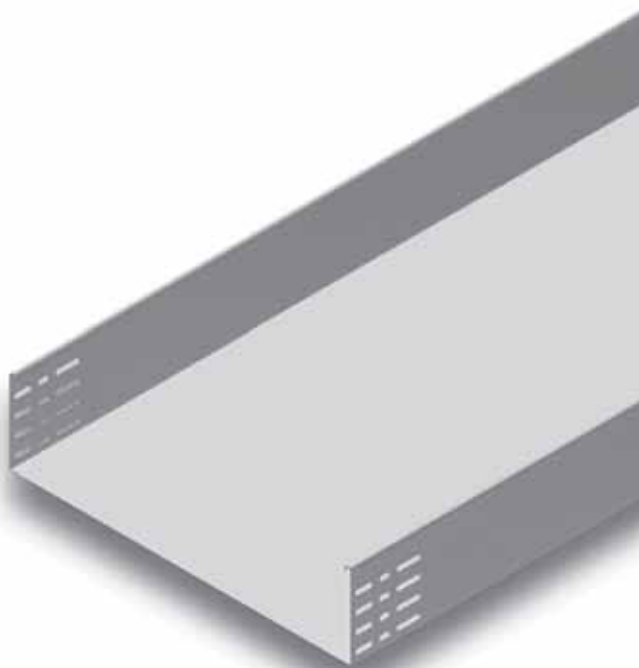
- Standard Length 3000 mm.
- For special orders and specifications please contact us.

▶▶ CTH-D CABLE TRAYS

Hot Dip Galvanized After Fabrication (TS EN ISO 1461)

Description	H (mm)	A (mm)	T (mm)	Weight (kg./m)	Order Code
125 CTH-D 150	125	150	1,5	5,345	3003143
125 CTH-D 200	125	200	1,5	6,074	3003144
125 CTH-D 250	125	250	1,5	6,806	3003145
125 CTH-D 300	125	300	1,5	7,539	3003146
125 CTH-D 400	125	400	1,5	9,004	3003147
125 CTH-D 500	125	500	1,5	10,465	3003148
125 CTH-D 600	125	600	1,5	11,932	3003149
150 CTH-D 200	150	200	1,5	6,632	3003150
150 CTH-D 250	150	250	1,5	7,431	3003151
150 CTH-D 300	150	300	1,5	8,231	3003152
150 CTH-D 400	150	400	1,5	9,830	3003153
150 CTH-D 500	150	500	1,5	11,426	3003154
150 CTH-D 600	150	600	1,5	13,026	3003155

Non Perforated Cable Trays



H=125 four rows perforated.
H=150 five rows perforated

Sample Order:
Height (H): 125 mm,
Width (A): 500 mm,
Sheet Thickness (T): 1,5 mm,
Coating Type (S): Hot Dip Galvanized,
Module Type: Non Perforated Cable Trays

■ Load Perm. Weight may change +/- according to the sheet tolerance and hardness.
Please contact to your customer representative for detailed information.

■ Please indicate order code in your orders.

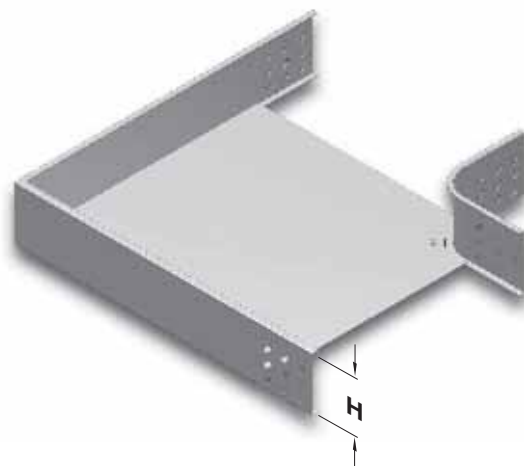
■ Material weights may vary by ± 10%

■ Standard Length 3000 mm.

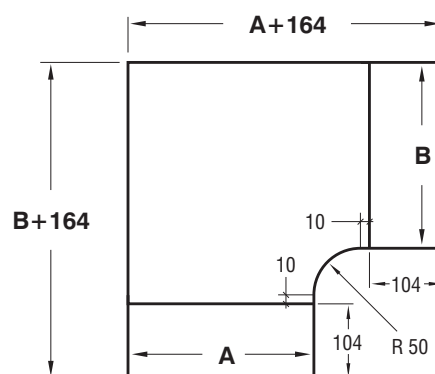
■ For special orders and specifications please contact us.

▶▶ CTE HORIZONTAL ELBOW MODULE (90°) R=50 Hot Dip Galvanized After Fabrication (TS EN ISO 1461)

Description	H (mm)	AB (mm)	T (mm)	Weight (kg./pc)	Order Code
040 CTE 050 YD	40	50	1,2	0,570	3000290
040 CTE 100 YD	40	100	1,2	0,779	3000291
040 CTE 150 YD	40	150	1,2	1,041	3000292
040 CTE 200 YD	40	200	1,2	1,359	3000293
040 CTE 250 YD	40	250	1,2	1,728	3000294
040 CTE 300 YD	40	300	1,5	2,492	3000295
040 CTE 400 YD	40	400	1,5	3,719	3000296
040 CTE 500 YD	40	500	1,5	5,216	3000297
040 CTE 600 YD	40	600	2	8,914	3000298
<hr/>					
050 CTE 050 YD	50	50	1,2	0,649	3000299
050 CTE 100 YD	50	100	1,2	0,868	3000300
050 CTE 150 YD	50	150	1,2	1,142	3000301
050 CTE 200 YD	50	200	1,2	1,469	3000302
050 CTE 250 YD	50	250	1,2	1,850	3000303
050 CTE 300 YD	50	300	1,5	2,623	3000304
050 CTE 400 YD	50	400	1,5	3,874	3000305
050 CTE 500 YD	50	500	1,5	5,391	3000306
050 CTE 600 YD	50	600	2	9,110	3000307
<hr/>					
060 CTE 100 YD	60	100	1,2	0,958	3000309
060 CTE 150 YD	60	150	1,2	1,242	3000310
060 CTE 200 YD	60	200	1,2	1,580	3000311
060 CTE 250 YD	60	250	1,2	1,971	3000312
060 CTE 300 YD	60	300	1,5	2,756	3000313
060 CTE 400 YD	60	400	1,5	4,027	3000314
060 CTE 500 YD	60	500	1,5	5,567	3000315
060 CTE 600 YD	60	600	2	9,307	3000316
<hr/>					
075 CTE 100 YD	75	100	1,2	1,092	3000317
075 CTE 150 YD	75	150	1,2	1,393	3000318
075 CTE 200 YD	75	200	1,2	1,747	3000319
075 CTE 250 YD	75	250	1,2	2,154	3000320
075 CTE 300 YD	75	300	1,5	2,955	3000321
075 CTE 400 YD	75	400	1,5	4,258	3000322
075 CTE 500 YD	75	500	1,5	5,830	3000323
075 CTE 600 YD	75	600	2	9,603	3000324
<hr/>					
100 CTE 100 YD	100	100	1,2	1,316	3000325
100 CTE 150 YD	100	150	1,2	1,643	3000326
100 CTE 200 YD	100	200	1,2	2,024	3000327
100 CTE 250 YD	100	250	1,2	2,459	3000328
100 CTE 300 YD	100	300	1,5	3,286	3000329
100 CTE 400 YD	100	400	1,5	4,643	3000330
100 CTE 500 YD	100	500	1,5	6,268	3000331
100 CTE 600 YD	100	600	2	10,095	3000332



YD



H=040, H=050, H=060 single line perforated.
H=075 double line perforated.
H=100 triple line perforated.
H=125 four rows perforated.
H=150 five rows perforated.

Description	H (mm)	AB (mm)	T (mm)	Weight (kg./pc)	Order Code
125 CTE 150 YD	125	150	1,5	2,264	3003194
125 CTE 200 YD	125	200	1,5	2,507	3003195
125 CTE 250 YD	125	250	1,5	3,336	3003196
125 CTE 300 YD	125	300	1,5	3,963	3003197
125 CTE 400 YD	125	400	1,5	5,413	3003198
125 CTE 500 YD	125	500	1,5	7,121	3003199
125 CTE 600 YD	125	600	2	10,198	3003200
<hr/>					
150 CTE 200 YD	150	200	1,5	3,098	3003201
150 CTE 250 YD	150	250	1,5	3,693	3003202
150 CTE 300 YD	150	300	1,5	4,354	3003203
150 CTE 400 YD	150	400	1,5	5,870	3003204
150 CTE 500 YD	150	500	1,5	7,644	3003205
150 CTE 600 YD	150	600	2	11,575	3003206

■ Please indicate order code in your orders.

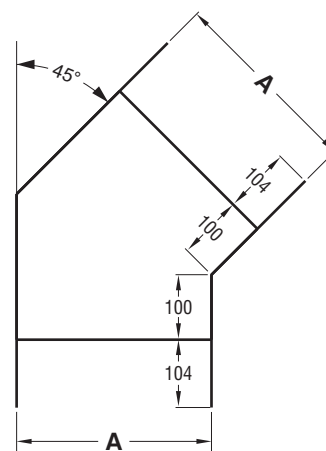
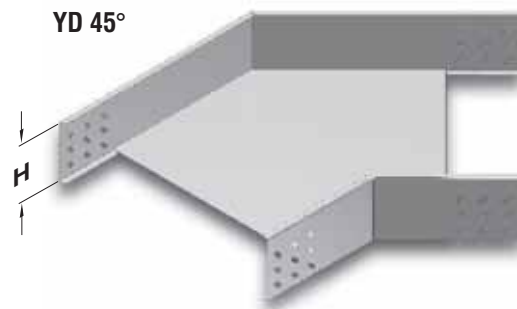
■ Material weights may vary by ± 10%

■ Please contact us for special size.

▶▶ CTE HORIZONTAL ELBOW MODULE (45°)

Hot Dip Galvanized After Fabrication (TS EN ISO 1461)

Description	H (mm)	A (mm)	T (mm)	Weight (kg./pc.)	Order Code
040 CTE 050 YD 45°	40	50	1,2	0,670	3000419
040 CTE 100 YD 45°	40	100	1,2	0,838	3000420
040 CTE 150 YD 45°	40	150	1,2	1,027	3000421
040 CTE 200 YD 45°	40	200	1,2	1,238	3000422
040 CTE 250 YD 45°	40	250	1,2	1,473	3000423
040 CTE 300 YD 45°	40	300	1,5	1,989	3000424
040 CTE 400 YD 45°	40	400	1,5	2,701	3000425
040 CTE 500 YD 45°	40	500	1,5	3,522	3000426
040 CTE 600 YD 45°	40	600	2	5,657	3000427
050 CTE 050 YD 45°	50	50	1,2	0,761	3000428
050 CTE 100 YD 45°	50	100	1,2	0,935	3000429
050 CTE 150 YD 45°	50	150	1,2	1,128	3000430
050 CTE 200 YD 45°	50	200	1,2	1,343	3000431
050 CTE 250 YD 45°	50	250	1,2	1,583	3000432
050 CTE 300 YD 45°	50	300	1,5	2,103	3000433
050 CTE 400 YD 45°	50	400	1,5	2,823	3000434
050 CTE 500 YD 45°	50	500	1,5	3,653	3000435
050 CTE 600 YD 45°	50	600	2	5,798	3000436
060 CTE 100 YD 45°	60	100	1,2	1,031	3000438
060 CTE 150 YD 45°	60	150	1,2	1,229	3000439
060 CTE 200 YD 45°	60	200	1,2	1,448	3000440
060 CTE 250 YD 45°	60	250	1,2	1,693	3000441
060 CTE 300 YD 45°	60	300	1,5	2,218	3000442
060 CTE 400 YD 45°	60	400	1,5	2,947	3000443
060 CTE 500 YD 45°	60	500	1,5	3,785	3000444
060 CTE 600 YD 45°	60	600	2	5,939	3000445
075 CTE 100 YD 45°	75	100	1,2	1,176	3000446
075 CTE 150 YD 45°	75	150	1,2	1,380	3000447
075 CTE 200 YD 45°	75	200	1,2	1,606	3000448
075 CTE 250 YD 45°	75	250	1,2	1,858	3000449
075 CTE 300 YD 45°	75	300	1,5	2,289	3000450
075 CTE 400 YD 45°	75	400	1,5	3,131	3000451
075 CTE 500 YD 45°	75	500	1,5	3,983	3000452
075 CTE 600 YD 45°	75	600	2	6,150	3000453
100 CTE 100 YD 45°	100	100	1,2	1,417	3000454
100 CTE 150 YD 45°	100	150	1,2	1,632	3000455
100 CTE 200 YD 45°	100	200	1,2	1,868	3000456
100 CTE 250 YD 45°	100	250	1,2	2,132	3000457
100 CTE 300 YD 45°	100	300	1,5	2,674	3000458
100 CTE 400 YD 45°	100	400	1,5	3,439	3000459
100 CTE 500 YD 45°	100	500	1,5	4,131	3000460
100 CTE 600 YD 45°	100	600	2	6,503	3000461



H=040, H=050, H=060 single line perforated.
 H=075 double line perforated.
 H=100 triple line perforated.
 H=125 four rows perforated.
 H=150 five rows perforated.

Description	H (mm)	A (mm)	T (mm)	Weight (kg./pc.)	Order Code
125 CTE 150 YD 45°	125	150	1,5	1,909	3003181
125 CTE 200 YD 45°	125	200	1,5	2,197	3003182
125 CTE 250 YD 45°	125	250	1,5	2,513	3003183
125 CTE 300 YD 45°	125	300	1,5	2,852	3003184
125 CTE 400 YD 45°	125	400	1,5	3,616	3003185
125 CTE 500 YD 45°	125	500	1,5	4,485	3003186
125 CTE 600 YD 45°	125	600	2	6,638	3003187
150 CTE 200 YD 45°	150	200	1,5	2,461	3003188
150 CTE 250 YD 45°	150	250	1,5	2,781	3003189
150 CTE 300 YD 45°	150	300	1,5	3,132	3003190
150 CTE 400 YD 45°	150	400	1,5	3,920	3003191
150 CTE 500 YD 45°	150	500	1,5	4,811	3003192
150 CTE 600 YD 45°	150	600	2	6,972	3003193

■ Please indicate order code in your orders.

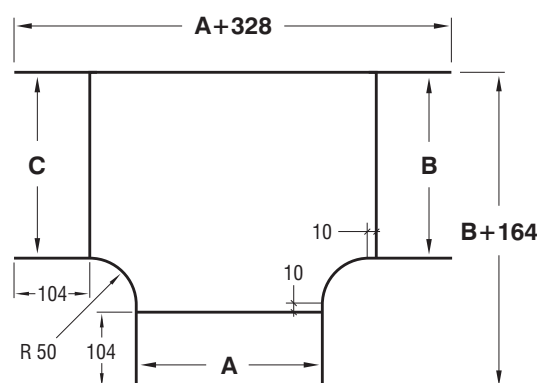
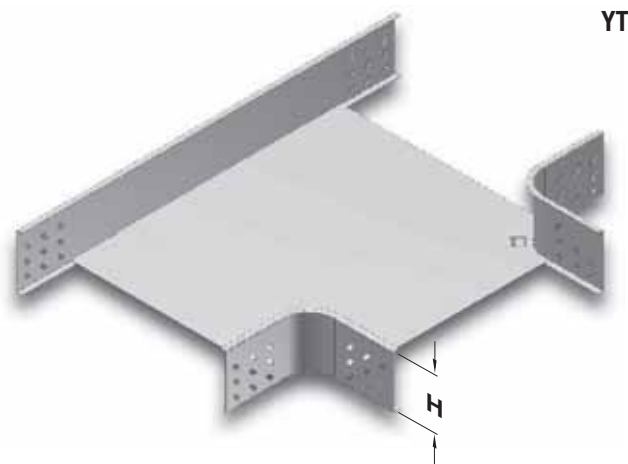
■ Material weights may vary by ± 10%

■ Please contact us for special size.

►► CTE "T" MODULE **R=50**

Hot Dip Galvanized After Fabrication (TS EN ISO 1461)

Description	H (mm)	ABC (mm)	T (mm)	Weight (kg./pc)	Order Code
040 CTE 050 YT	40	50	1,2	0,773	3000333
040 CTE 100 YT	40	100	1,2	0,982	3000334
040 CTE 150 YT	40	150	1,2	1,244	3000335
040 CTE 200 YT	40	200	1,2	1,561	3000336
040 CTE 250 YT	40	250	1,2	1,931	3000337
040 CTE 300 YT	40	300	1,5	2,744	3000338
040 CTE 400 YT	40	400	1,5	3,988	3000339
040 CTE 500 YT	40	500	1,5	5,501	3000340
040 CTE 600 YT	40	600	2	9,378	3000341
050 CTE 050 YT	50	50	1,2	0,879	3000342
050 CTE 100 YT	50	100	1,2	1,094	3000343
050 CTE 150 YT	50	150	1,2	1,362	3000344
050 CTE 200 YT	50	200	1,2	1,684	3000345
050 CTE 250 YT	50	250	1,2	2,059	3000346
050 CTE 300 YT	50	300	1,5	2,877	3000347
050 CTE 400 YT	50	400	1,5	4,132	3000348
050 CTE 500 YT	50	500	1,5	5,656	3000349
050 CTE 600 YT	50	600	2	9,544	3000350
060 CTE 100 YT	60	100	1,2	1,205	3000352
060 CTE 150 YT	60	150	1,2	1,479	3000353
060 CTE 200 YT	60	200	1,2	1,806	3000354
060 CTE 250 YT	60	250	1,2	2,187	3000355
060 CTE 300 YT	60	300	1,5	2,912	3000356
060 CTE 400 YT	60	400	1,5	4,277	3000357
060 CTE 500 YT	60	500	1,5	5,810	3000358
060 CTE 600 YT	60	600	2	9,709	3000359
075 CTE 100 YT	75	100	1,2	1,373	3000360
075 CTE 150 YT	75	150	1,2	1,654	3000361
075 CTE 200 YT	75	200	1,2	1,990	3000362
075 CTE 250 YT	75	250	1,2	2,378	3000363
075 CTE 300 YT	75	300	1,5	3,211	3000364
075 CTE 400 YT	75	400	1,5	4,492	3000365
075 CTE 500 YT	75	500	1,5	6,042	3000366
075 CTE 600 YT	75	600	2	9,957	3000367
100 CTE 100 YT	100	100	1,2	1,652	3000368
100 CTE 150 YT	100	150	1,2	1,947	3000369
100 CTE 200 YT	100	200	1,2	2,296	3000370
100 CTE 250 YT	100	250	1,2	2,698	3000371
100 CTE 300 YT	100	300	1,5	3,543	3000372
100 CTE 400 YT	100	400	1,5	4,851	3000373
100 CTE 500 YT	100	500	1,5	6,428	3000374
100 CTE 600 YT	100	600	2	10,370	3000375



H=040, H=050, H=060 single line perforated.
 H=075 double line perforated.
 H=100 triple line perforated.
 H=125 four rows perforated.
 H=150 five rows perforated.

Description	H (mm)	ABC (mm)	T (mm)	Weight (kg./pc)	Order Code
125 CTE 150 YT	125	150	1,5	2,673	3003207
125 CTE 200 YT	125	200	1,5	2,926	3003208
125 CTE 250 YT	125	250	1,5	3,623	3003209
125 CTE 300 YT	125	300	1,5	4,198	3003210
125 CTE 400 YT	125	400	1,5	5,532	3003211
125 CTE 500 YT	125	500	1,5	7,124	3003212
125 CTE 600 YT	125	600	2	11,541	3003213
150 CTE 200 YT	150	200	1,5	3,466	3003214
150 CTE 250 YT	150	250	1,5	3,988	3003215
150 CTE 300 YT	150	300	1,5	4,574	3003216
150 CTE 400 YT	150	400	1,5	5,941	3003217
150 CTE 500 YT	150	500	1,5	7,566	3003218
150 CTE 600 YT	150	600	2	11,950	3003219

■ Please indicate order code in your orders.

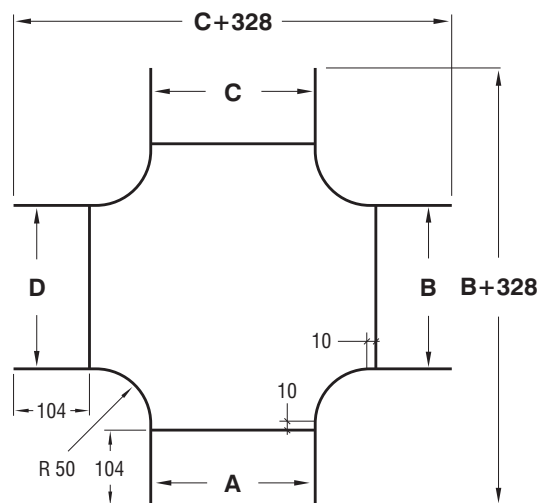
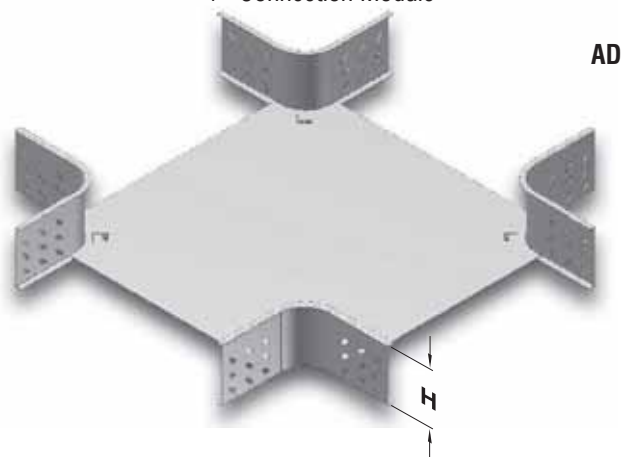
■ Material weights may vary by ± 10%

■ Please contact us for special size.

▶▶ CTE "+" CONNECTION MODULE R=50 Hot Dip Galvanized After Fabrication (TS EN ISO 1461)

Description	H (mm)	ABCD (mm)	T (mm)	Weight (kg./pc)	Order Code
040 CTE 050 AD	40	50	1,2	0,968	3000376
040 CTE 100 AD	40	100	1,2	1,177	3000377
040 CTE 150 AD	40	150	1,2	1,440	3000378
040 CTE 200 AD	40	200	1,2	1,756	3000379
040 CTE 250 AD	40	250	1,2	2,126	3000380
040 CTE 300 AD	40	300	1,5	2,990	3000381
040 CTE 400 AD	40	400	1,5	4,251	3000382
040 CTE 500 AD	40	500	1,5	5,779	3000383
040 CTE 600 AD	40	600	2	9,839	3000384
<hr/>					
050 CTE 050 AD	50	50	1,2	1,099	3000385
050 CTE 100 AD	50	100	1,2	1,308	3000386
050 CTE 150 AD	50	150	1,2	1,571	3000387
050 CTE 200 AD	50	200	1,2	1,888	3000388
050 CTE 250 AD	50	250	1,2	2,258	3000389
050 CTE 300 AD	50	300	1,5	3,122	3000390
050 CTE 400 AD	50	400	1,5	4,383	3000391
050 CTE 500 AD	50	500	1,5	5,911	3000392
050 CTE 600 AD	50	600	2	9,970	3000393
<hr/>					
060 CTE 100 AD	60	100	1,2	1,440	3000395
060 CTE 150 AD	60	150	1,2	1,703	3000396
060 CTE 200 AD	60	200	1,2	2,019	3000397
060 CTE 250 AD	60	250	1,2	2,390	3000398
060 CTE 300 AD	60	300	1,5	3,253	3000399
060 CTE 400 AD	60	400	1,5	4,513	3000400
060 CTE 500 AD	60	500	1,5	6,042	3000401
060 CTE 600 AD	60	600	2	10,101	3000402
<hr/>					
075 CTE 100 AD	75	100	1,2	1,638	3000403
075 CTE 150 AD	75	150	1,2	1,900	3000404
075 CTE 200 AD	75	200	1,2	2,217	3000405
075 CTE 250 AD	75	250	1,2	2,586	3000406
075 CTE 300 AD	75	300	1,5	3,451	3000407
075 CTE 400 AD	75	400	1,5	4,711	3000408
075 CTE 500 AD	75	500	1,5	6,240	3000409
075 CTE 600 AD	75	600	2	10,299	3000410
<hr/>					
100 CTE 100 AD	100	100	1,2	1,966	3000411
100 CTE 150 AD	100	150	1,2	2,229	3000412
100 CTE 200 AD	100	200	1,2	2,545	3000413
100 CTE 250 AD	100	250	1,2	2,915	3000414
100 CTE 300 AD	100	300	1,5	3,779	3000415
100 CTE 400 AD	100	400	1,5	5,040	3000416
100 CTE 500 AD	100	500	1,5	6,568	3000417
100 CTE 600 AD	100	600	2	10,628	3000418

"+" Connection Module



H=040, H=050, H=060 single line perforated.
H=075 double line perforated.
H=100 triple line perforated.
H=125 four rows perforated.
H=150 five rows perforated.

Description	H (mm)	ABCD (mm)	T (mm)	Weight (kg./pc)	Order Code
125 CTE 150 AD	125	150	1,5	3,035	3003220
125 CTE 200 AD	125	200	1,5	3,531	3003221
125 CTE 250 AD	125	250	1,5	3,880	3003222
125 CTE 300 AD	125	300	1,5	4,391	3003223
125 CTE 400 AD	125	400	1,5	5,608	3003224
125 CTE 500 AD	125	500	1,5	7,085	3003225
125 CTE 600 AD	125	600	2	11,821	3003226
<hr/>					
150 CTE 200 AD	150	200	1,5	3,795	3003227
150 CTE 250 AD	150	250	1,5	4,242	3003228
150 CTE 300 AD	150	300	1,5	4,753	3003229
150 CTE 400 AD	150	400	1,5	5,971	3003230
150 CTE 500 AD	150	500	1,5	7,447	3003231
150 CTE 600 AD	150	600	2	12,183	3003232

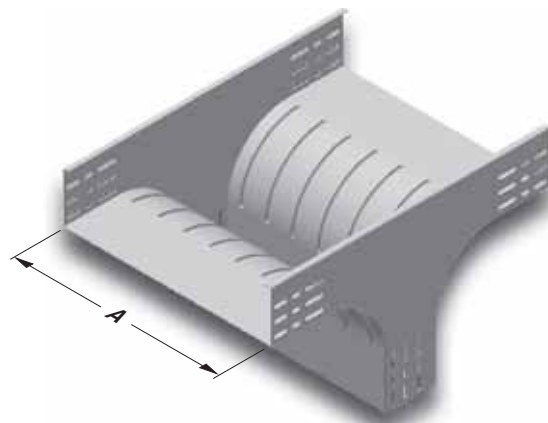
■ Please indicate order code in your orders.

■ Material weights may vary by ± 10%

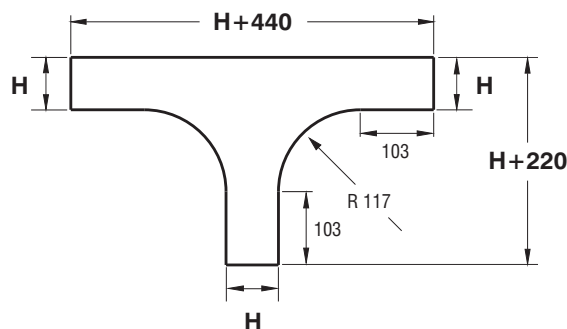
■ Please contact us for special size.

▶▶ CTH "T" MIDDLE DESCENT MODULE $R=117$ Hot Dip Galvanized After Fabrication (TS EN ISO 1461)

Description	H (mm)	A (mm)	T (mm)	Weight (kg./pc)	Order Code
040 CTH 050 TO	40	50	1,5	1,645	3005814
040 CTH 100 TO	40	100	1,5	2,193	3005927
040 CTH 150 TO	40	150	1,5	2,701	3005925
040 CTH 200 TO	40	200	1,5	3,209	3005923
040 CTH 250 TO	40	250	1,5	3,718	3005921
040 CTH 300 TO	40	300	1,5	4,226	3005919
040 CTH 400 TO	40	400	1,5	5,242	3005720
040 CTH 500 TO	40	500	1,5	6,259	3005718
040 CTH 600 TO	40	600	1,5	7,275	3005716
<hr/>					
050 CTH 050 TO	50	50	1,5	1,842	3001167
050 CTH 100 TO	50	100	1,5	2,350	3007546
050 CTH 150 TO	50	150	1,5	2,858	3007242
050 CTH 200 TO	50	200	1,5	3,367	3007544
050 CTH 250 TO	50	250	1,5	3,875	3007240
050 CTH 300 TO	50	300	1,5	4,383	3007542
050 CTH 400 TO	50	400	1,5	5,399	3007540
050 CTH 500 TO	50	500	1,5	6,416	3007538
050 CTH 600 TO	50	600	1,5	7,432	3007536
<hr/>					
060 CTH 100 TO	60	100	1,5	2,591	3005911
060 CTH 150 TO	60	150	1,5	3,099	3005909
060 CTH 200 TO	60	200	1,5	3,608	3005907
060 CTH 250 TO	60	250	1,5	4,116	3005905
060 CTH 300 TO	60	300	1,5	4,624	3005903
060 CTH 400 TO	60	400	1,5	5,640	3005704
060 CTH 500 TO	60	500	1,5	6,653	3005702
060 CTH 600 TO	60	600	1,5	7,673	3005700
<hr/>					
075 CTH 100 TO	75	100	1,5	2,865	3007238
075 CTH 150 TO	75	150	1,5	3,373	3007236
075 CTH 200 TO	75	200	1,5	3,881	3007534
075 CTH 250 TO	75	250	1,5	4,390	3007234
075 CTH 300 TO	75	300	1,5	4,898	3007532
075 CTH 400 TO	75	400	1,5	5,914	3007530
075 CTH 500 TO	75	500	1,5	6,931	3007528
075 CTH 600 TO	75	600	1,5	7,947	3007526
<hr/>					
100 CTH 100 TO	100	100	1,5	3,372	3001168
100 CTH 150 TO	100	150	1,5	3,881	3007232
100 CTH 200 TO	100	200	1,5	4,390	3007524
100 CTH 250 TO	100	250	1,5	4,897	3007230
100 CTH 300 TO	100	300	1,5	5,405	3007522
100 CTH 400 TO	100	400	1,5	6,421	3007520
100 CTH 500 TO	100	500	1,5	7,438	3007518
100 CTH 600 TO	100	600	1,5	8,454	3007516



TO



H=040, H=050, H=060 single line perforated.
H=075 double line perforated.
H=100 triple line perforated.
H=125 four rows perforated.
H=150 five rows perforated.

Description	H (mm)	A (mm)	T (mm)	Weight (kg./pc)	Order Code
125 CTH 150 TO	125	150	1,5	4,461	3003233
125 CTH 200 TO	125	200	1,5	5,007	3003234
125 CTH 250 TO	125	250	1,5	5,612	3003235
125 CTH 300 TO	125	300	1,5	6,102	3003236
125 CTH 400 TO	125	400	1,5	7,195	3003237
125 CTH 500 TO	125	500	1,5	8,290	3003238
125 CTH 600 TO	125	600	1,5	9,383	3003239
<hr/>					
150 CTH 200 TO	150	200	1,5	5,427	3003240
150 CTH 250 TO	150	250	1,5	5,675	3003241
150 CTH 300 TO	150	300	1,5	6,521	3003242
150 CTH 400 TO	150	400	1,5	7,615	3003243
150 CTH 500 TO	150	500	1,5	8,709	3003244
150 CTH 600 TO	150	600	1,5	10,511	3003245

■ Please indicate order code in your orders.

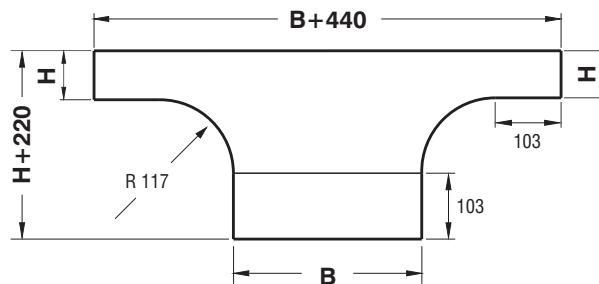
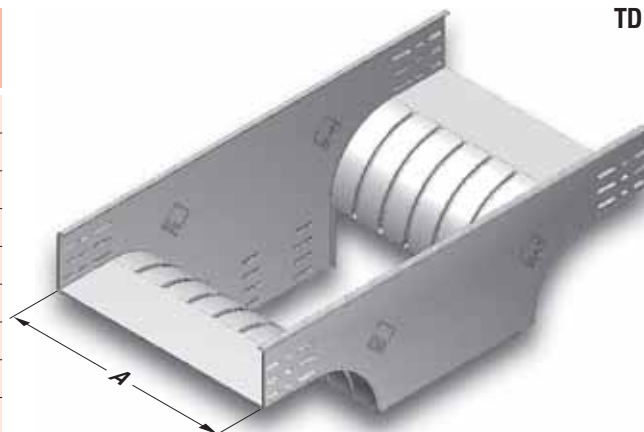
■ Material weights may vary by $\pm 10\%$

■ Please contact us for special size.

▶▶ CTH "T" WALL DESCENT MODULE **R=117**

Hot Dip Galvanized After Fabrication (TS EN ISO 1461)

Description	H (mm)	A (mm)	B (mm)	T (mm)	Weight (kg./pc.)	Order Code
040 CTH 050 TD	40	50	50	1,5	1,509	3005812
040 CTH 100 TD	40	100	100	1,5	2,201	3005959
040 CTH 150 TD	40	150	150	1,5	2,871	3005957
040 CTH 200 TD	40	200	200	1,5	3,544	3005955
040 CTH 250 TD	40	250	250	1,5	4,264	3005953
040 CTH 300 TD	40	300	300	1,5	4,943	3005951
040 CTH 400 TD	40	400	300	1,5	5,764	3005800
040 CTH 500 TD	40	500	300	1,5	6,585	3005798
040 CTH 600 TD	40	600	300	1,5	7,409	3005796
050 CTH 050 TD	50	50	50	1,5	1,637	3001169
050 CTH 100 TD	50	100	100	1,5	2,341	3007482
050 CTH 150 TD	50	150	150	1,5	3,045	3007270
050 CTH 200 TD	50	200	200	1,5	3,738	3007480
050 CTH 250 TD	50	250	250	1,5	4,442	3007268
050 CTH 300 TD	50	300	300	1,5	5,135	3007478
050 CTH 400 TD	50	400	300	1,5	5,955	3007476
050 CTH 500 TD	50	500	300	1,5	6,776	3007474
050 CTH 600 TD	50	600	300	1,5	7,600	3007472
060 CTH 100 TD	60	100	100	1,5	2,481	3005943
060 CTH 150 TD	60	150	150	1,5	3,199	3005941
060 CTH 200 TD	60	200	200	1,5	3,904	3005939
060 CTH 250 TD	60	250	250	1,5	4,621	3005937
060 CTH 300 TD	60	300	300	1,5	5,326	3005935
060 CTH 400 TD	60	400	300	1,5	6,148	3005766
060 CTH 500 TD	60	500	300	1,5	6,969	3005764
060 CTH 600 TD	60	600	300	1,5	7,791	3005762
075 CTH 100 TD	75	100	100	1,5	2,665	3007266
075 CTH 150 TD	75	150	150	1,5	3,402	3007264
075 CTH 200 TD	75	200	200	1,5	4,127	3007470
075 CTH 250 TD	75	250	250	1,5	4,863	3007262
075 CTH 300 TD	75	300	300	1,5	5,588	3007468
075 CTH 400 TD	75	400	300	1,5	6,140	3007466
075 CTH 500 TD	75	500	300	1,5	7,230	3007464
075 CTH 600 TD	75	600	300	1,5	8,053	3007462
100 CTH 100 TD	100	100	100	1,5	2,990	3001426
100 CTH 150 TD	100	150	150	1,5	3,759	3007260
100 CTH 200 TD	100	200	200	1,5	4,516	3007460
100 CTH 250 TD	100	250	250	1,5	5,284	3007258
100 CTH 300 TD	100	300	300	1,5	6,042	3007458
100 CTH 400 TD	100	400	300	1,5	6,863	3007456
100 CTH 500 TD	100	500	300	1,5	7,784	3007454
100 CTH 600 TD	100	600	300	1,5	8,507	3007452
125 CTH 150 TD	125	150	150	1,5	4,115	3003246
125 CTH 200 TD	125	200	200	1,5	4,905	3003247
125 CTH 250 TD	125	250	250	1,5	5,706	3003248
125 CTH 300 TD	125	300	300	1,5	6,496	3003249
125 CTH 400 TD	125	400	300	1,5	7,317	3003250
125 CTH 500 TD	125	500	300	1,5	8,138	3003251
125 CTH 600 TD	125	600	300	1,5	8,961	3003252
150 CTH 200 TD	150	200	200	1,5	5,293	3003253
150 CTH 250 TD	150	250	250	1,5	6,127	3003254
150 CTH 300 TD	150	300	300	1,5	6,950	3003255
150 CTH 400 TD	150	400	300	1,5	7,770	3003256
150 CTH 500 TD	150	500	300	1,5	8,591	3003257
150 CTH 600 TD	150	600	300	1,5	9,961	3003258



H=040, H=050, H=060 single line perforated.
 H=075 double line perforated.
 H=100 triple line perforated.
 H=125 four rows perforated.
 H=150 five rows perforated.

Description	H (mm)	A (mm)	B (mm)	T (mm)	Weight (kg./pc.)	Order Code
125 CTH 150 TD	125	150	150	1,5	4,115	3003246
125 CTH 200 TD	125	200	200	1,5	4,905	3003247
125 CTH 250 TD	125	250	250	1,5	5,706	3003248
125 CTH 300 TD	125	300	300	1,5	6,496	3003249
125 CTH 400 TD	125	400	300	1,5	7,317	3003250
125 CTH 500 TD	125	500	300	1,5	8,138	3003251
125 CTH 600 TD	125	600	300	1,5	8,961	3003252
150 CTH 200 TD	150	200	200	1,5	5,293	3003253
150 CTH 250 TD	150	250	250	1,5	6,127	3003254
150 CTH 300 TD	150	300	300	1,5	6,950	3003255
150 CTH 400 TD	150	400	300	1,5	7,770	3003256
150 CTH 500 TD	150	500	300	1,5	8,591	3003257
150 CTH 600 TD	150	600	300	1,5	9,961	3003258

■ Please indicate order code in your orders.

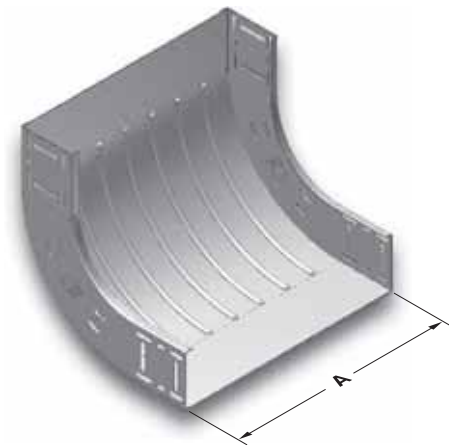
■ Material weights may vary by ± 10%

■ Please contact us for special size.

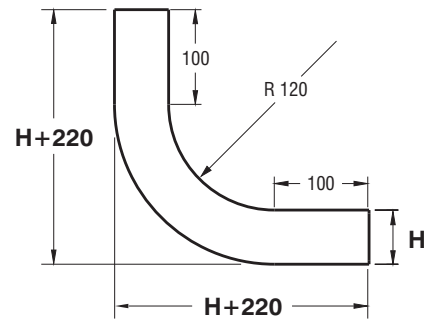
▶▶ CTH CONCAVE MODULE (90°) R=120

Hot Dip Galvanized After Fabrication (TS EN ISO 1461)

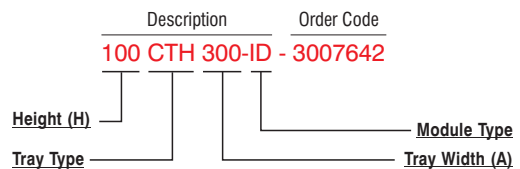
Description	H (mm)	A (mm)	T (mm)	Weight (kg./pc)	Order Code
040 CTH 050 ID	40	50	1,5	0,878	3005816
040 CTH 100 ID	40	100	1,5	1,169	3006125
040 CTH 150 ID	40	150	1,5	1,458	3006123
040 CTH 200 ID	40	200	1,5	1,749	3006121
040 CTH 250 ID	40	250	1,5	2,039	3006119
040 CTH 300 ID	40	300	1,5	2,329	3006117
040 CTH 400 ID	40	400	1,5	2,910	3006115
040 CTH 500 ID	40	500	1,5	3,491	3006113
040 CTH 600 ID	40	600	1,5	4,538	3006111
050 CTH 050 ID	50	50	1,5	1,057	3001165
050 CTH 100 ID	50	100	1,5	1,359	3007664
050 CTH 150 ID	50	150	1,5	1,705	3007188
050 CTH 200 ID	50	200	1,5	2,005	3007662
050 CTH 250 ID	50	250	1,5	2,305	3007186
050 CTH 300 ID	50	300	1,5	2,604	3007660
050 CTH 400 ID	50	400	1,5	3,220	3007658
050 CTH 500 ID	50	500	1,5	3,824	3007656
050 CTH 600 ID	50	600	1,5	4,428	3007654
060 CTH 100 ID	60	100	1,5	1,615	3006109
060 CTH 150 ID	60	150	1,5	1,918	3006107
060 CTH 200 ID	60	200	1,5	2,231	3006105
060 CTH 250 ID	60	250	1,5	2,543	3006103
060 CTH 300 ID	60	300	1,5	2,854	3006101
060 CTH 400 ID	60	400	1,5	3,479	3006099
060 CTH 500 ID	60	500	1,5	4,103	3006097
060 CTH 600 ID	60	600	1,5	4,728	3006095
075 CTH 100 ID	75	100	1,5	1,785	3007184
075 CTH 150 ID	75	150	1,5	2,113	3007182
075 CTH 200 ID	75	200	1,5	2,440	3007652
075 CTH 250 ID	75	250	1,5	2,885	3007180
075 CTH 300 ID	75	300	1,5	3,295	3006061
075 CTH 400 ID	75	400	1,5	3,990	3007650
075 CTH 500 ID	75	500	1,5	4,605	3007648
075 CTH 600 ID	75	600	1,5	5,535	3007646
100 CTH 100 ID	100	100	1,5	2,141	3001166
100 CTH 150 ID	100	150	1,5	2,493	3007178
100 CTH 200 ID	100	200	1,5	2,844	3007644
100 CTH 250 ID	100	250	1,5	3,195	3007176
100 CTH 300 ID	100	300	1,5	3,546	3007642
100 CTH 400 ID	100	400	1,5	4,248	3007640
100 CTH 500 ID	100	500	1,5	4,950	3007638
100 CTH 600 ID	100	600	1,5	5,652	3007636



ID



Sample Order:
 Height (H): 50 mm,
 Tray Width (A): 300 mm,
 Sheet Metal Thickness (T): 1,5 mm,
 Type of Coating (S): Hot Dip Galvanized,
 Module Type: Concave Module



■ Please indicate order code in your orders.

■ Material weights may vary by ± 10%

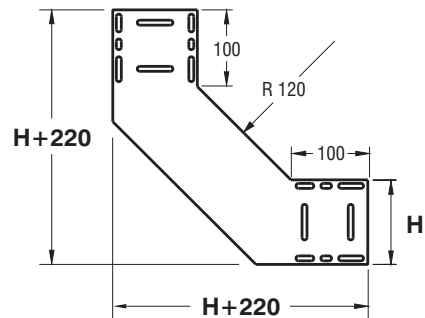
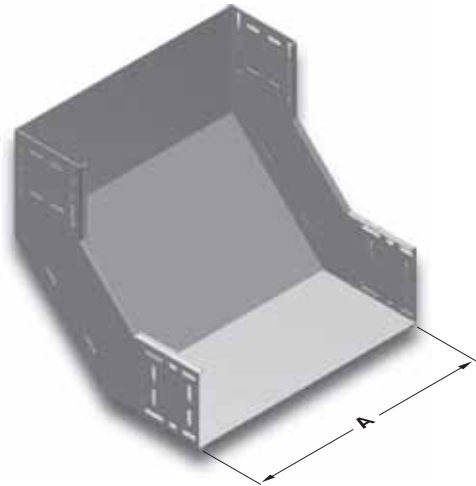
■ Please contact us for special size.

▶▶ CTH CONCAVE MODULE (90°) R=120

Hot Dip Galvanized After Fabrication (TS EN ISO 1461)

Description	H (mm)	A (mm)	T (mm)	Weight (kg./pc)	Order Code
125 CTH 150 ID	125	150	1,5	2,859	3003259
125 CTH 200 ID	125	200	1,5	3,237	3003260
125 CTH 250 ID	125	250	1,5	3,616	3003261
125 CTH 300 ID	125	300	1,5	3,994	3003262
125 CTH 400 ID	125	400	1,5	4,830	3003263
125 CTH 500 ID	125	500	1,5	5,509	3003264
125 CTH 600 ID	125	600	1,5	6,266	3003265
150 CTH 200 ID	150	200	1,5	3,742	3003266
150 CTH 250 ID	150	250	1,5	4,148	3003267
150 CTH 300 ID	150	300	1,5	4,554	3003268
150 CTH 400 ID	150	400	1,5	5,365	3003269
150 CTH 500 ID	150	500	1,5	6,177	3003270
150 CTH 600 ID	150	600	1,5	6,988	3003271

ID



Sample Order:

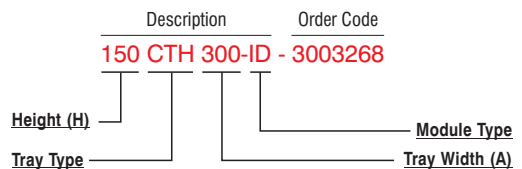
Height (H): 150 mm,

Tray Width (A): 300 mm,

Sheet Metal Thickness (T): 1,5 mm,

Type of Coating (S): Hot Dip Galvanized,

Module Type: Concave Module



■ Please indicate order code in your orders.

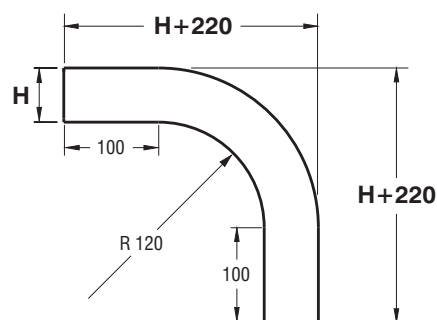
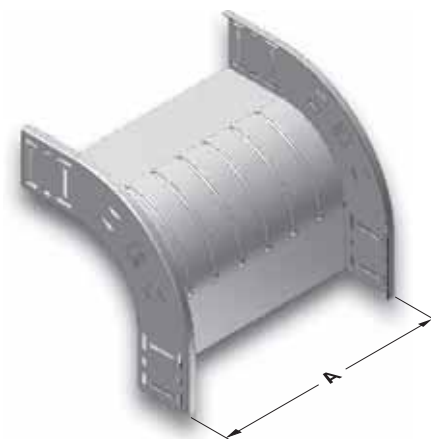
■ Material weights may vary by ± 10%

■ Please contact us for special size.

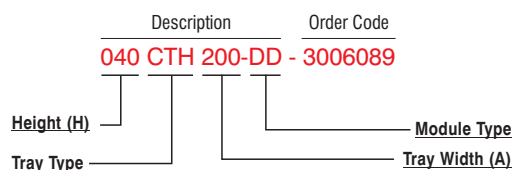
►► CTH CONVEX MODULE (90°) R=120
Hot Dip Galvanized After Fabrication (TS EN ISO 1461)

Description	H (mm)	A (mm)	T (mm)	Weight (kg./pc)	Order Code
040 CTH 050 DD	40	50	1,5	0,941	3005818
040 CTH 100 DD	40	100	1,5	1,196	3006093
040 CTH 150 DD	40	150	1,5	1,451	3006091
040 CTH 200 DD	40	200	1,5	1,707	3006089
040 CTH 250 DD	40	250	1,5	1,961	3006087
040 CTH 300 DD	40	300	1,5	2,216	3006085
040 CTH 400 DD	40	400	1,5	2,726	3005792
040 CTH 500 DD	40	500	1,5	3,237	3005790
040 CTH 600 DD	40	600	1,5	3,747	3005788
<hr/>					
050 CTH 050 DD	50	50	1,5	1,014	3001163
050 CTH 100 DD	50	100	1,5	1,269	3007602
050 CTH 150 DD	50	150	1,5	1,525	3007214
050 CTH 200 DD	50	200	1,5	1,780	3007600
050 CTH 250 DD	50	250	1,5	2,035	3006964
050 CTH 300 DD	50	300	1,5	2,290	3006962
050 CTH 400 DD	50	400	1,5	2,801	3006960
050 CTH 500 DD	50	500	1,5	3,311	3006958
050 CTH 600 DD	50	600	1,5	3,821	3006956
<hr/>					
060 CTH 100 DD	60	100	1,5	1,397	3006077
060 CTH 150 DD	60	150	1,5	1,652	3006075
060 CTH 200 DD	60	200	1,5	1,907	3006073
060 CTH 250 DD	60	250	1,5	2,163	3006071
060 CTH 300 DD	60	300	1,5	2,418	3006069
060 CTH 400 DD	60	400	1,5	2,928	3005750
060 CTH 500 DD	60	500	1,5	3,439	3005748
060 CTH 600 DD	60	600	1,5	3,949	3005746
<hr/>					
075 CTH 100 DD	75	100	1,5	1,596	3007212
075 CTH 150 DD	75	150	1,5	1,851	3007210
075 CTH 200 DD	75	200	1,5	2,107	3007598
075 CTH 250 DD	75	250	1,5	2,362	3007208
075 CTH 300 DD	75	300	1,5	2,617	3007596
075 CTH 400 DD	75	400	1,5	3,127	3007594
075 CTH 500 DD	75	500	1,5	3,638	3007592
075 CTH 600 DD	75	600	1,5	4,148	3007590
<hr/>					
100 CTH 100 DD	100	100	1,5	1,949	3001164
100 CTH 150 DD	100	150	1,5	2,204	3007206
100 CTH 200 DD	100	200	1,5	2,459	3007588
100 CTH 250 DD	100	250	1,5	2,714	3007204
100 CTH 300 DD	100	300	1,5	2,969	3007586
100 CTH 400 DD	100	400	1,5	3,479	3007584
100 CTH 500 DD	100	500	1,5	3,990	3007582
100 CTH 600 DD	100	600	1,5	4,500	3007580

DD



Sample Order:
 Height (H): 40 mm,
 Tray Width (A): 200 mm,
 Sheet Metal Thickness (T): 1,5 mm,
 Type of Coating (S): Hot Dip Galvanized,
 Module Type: Convex Module



■ Please indicate order code in your orders.

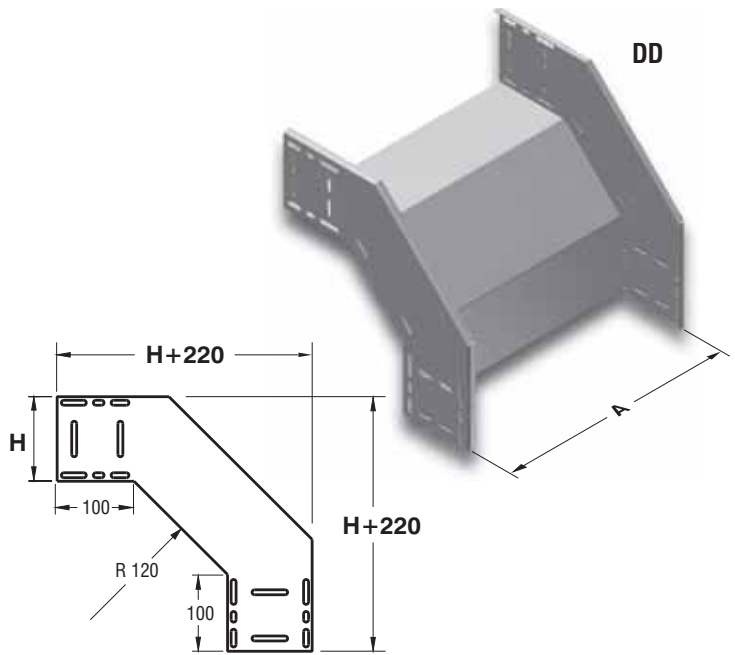
■ Material weights may vary by ± 10%

■ Please contact us for special size.

►► CTH CONVEX MODULE (90°) R=120

Hot Dip Galvanized After Fabrication (TS EN ISO 1461)

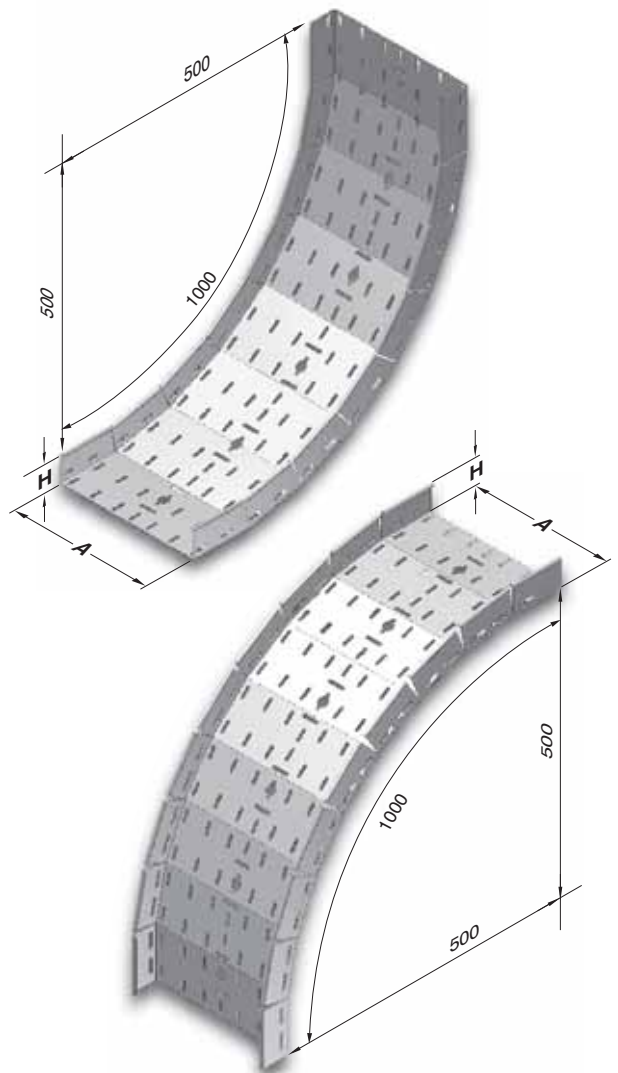
Description	H (mm)	A (mm)	T (mm)	Weight (kg./pc)	Order Code
125 CTH 150 DD	125	150	1,5	2,465	3003272
125 CTH 200 DD	125	200	1,5	2,716	3003273
125 CTH 250 DD	125	250	1,5	2,965	3003274
125 CTH 300 DD	125	300	1,5	3,216	3003275
125 CTH 400 DD	125	400	1,5	3,717	3003276
125 CTH 500 DD	125	500	1,5	4,217	3003277
125 CTH 600 DD	125	600	1,5	4,718	3003278
150 CTH 200 DD	150	200	1,5	3,121	3003279
150 CTH 250 DD	150	250	1,5	3,370	3003280
150 CTH 300 DD	150	300	1,5	3,621	3003281
150 CTH 400 DD	150	400	1,5	4,122	3003282
150 CTH 500 DD	150	500	1,5	4,622	3003283
150 CTH 600 DD	150	600	1,5	5,123	3003284



►► CTH ADJUSTABLE CONCAVE MODULE

Hot Dip Galvanized After Fabrication (TS EN ISO 1461)

Description	H (mm)	A (mm)	T (mm)	Weight (kg./pc)	Order Code
040 CTH 050 ADJ. CONCAVE	40	50	1	1,058	3004340
040 CTH 100 ADJ. CONCAVE	40	100	1	1,420	3004342
040 CTH 150 ADJ. CONCAVE	40	150	1	1,774	3004344
040 CTH 200 ADJ. CONCAVE	40	200	1,2	2,543	3004346
040 CTH 250 ADJ. CONCAVE	40	250	1,2	2,968	3004348
040 CTH 300 ADJ. CONCAVE	40	300	1,5	4,227	3004350
040 CTH 400 ADJ. CONCAVE	40	400	1,5	5,289	3004352
040 CTH 500 ADJ. CONCAVE	40	500	1,5	6,349	3004354
040 CTH 600 ADJ. CONCAVE	40	600	1,5	7,411	3004356
060 CTH 100 ADJ. CONCAVE	60	100	1	1,720	3004360
060 CTH 150 ADJ. CONCAVE	60	150	1	2,074	3004362
060 CTH 200 ADJ. CONCAVE	60	200	1,2	2,903	3004364
060 CTH 250 ADJ. CONCAVE	60	250	1,2	3,328	3004366
060 CTH 300 ADJ. CONCAVE	60	300	1,5	4,689	3004368
060 CTH 400 ADJ. CONCAVE	60	400	1,5	5,738	3004370
060 CTH 500 ADJ. CONCAVE	60	500	1,5	6,799	3004372
060 CTH 600 ADJ. CONCAVE	60	600	1,5	7,861	3004374



■ Please indicate order code in your orders.

■ Material weights may vary by ± 10%

■ Please contact us for special size.

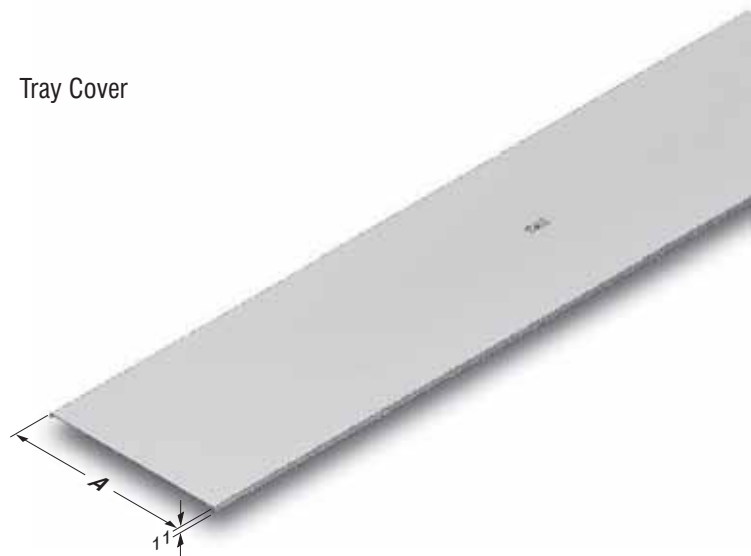
▶▶ CTH TRAY COVER

Hot Dip Galvanized After Fabrication (TS EN ISO 1461)

Description	A (mm)	T (mm)	Weight (kg./m.)	Order Code
CTH 050 COVER	55	1	0,624	3005426
CTH 100 COVER	105	1	1,059	3006907
CTH 150 COVER	155	1	1,492	3006905
CTH 200 COVER	205	1	1,927	3006903
CTH 250 COVER	255	1,5	3,540	3006901
CTH 300 COVER	305	1,5	4,191	3006899
CTH 400 COVER	405	1,5	5,493	3006897
CTH 500 COVER	505	1,5	6,795	3006895
CTH 600 COVER	605	1,5	8,097	3006893

■ Standard length is 3000 mm.

Tray Cover

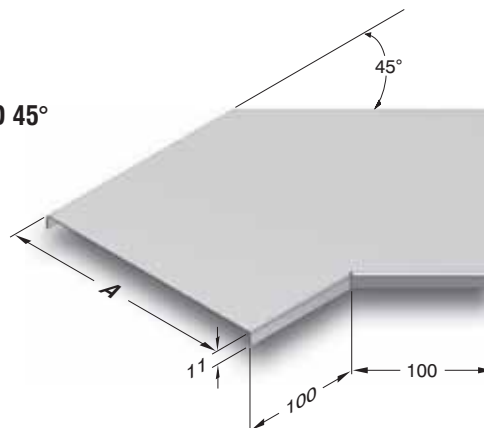


▶▶ CTE HORIZONTAL ELBOW MODULE COVER (45°)

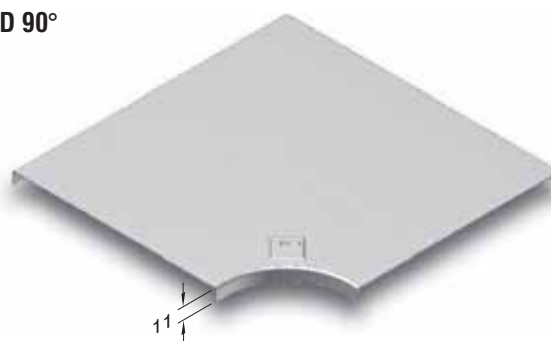
Hot Dip Galvanized After Fabrication (TS EN ISO 1461)

Description	A (mm)	T (mm)	Weight (kg./pc.)	Order Code
CTE 050 YD 45°	55	1,2	0,167	3000489
CTE 100 YD 45°	105	1,2	0,307	3000490
CTE 150 YD 45°	155	1,2	0,467	3000491
CTE 200 YD 45°	205	1,2	0,649	3000492
CTE 250 YD 45°	255	1,2	0,853	3000493
CTE 300 YD 45°	305	1,5	1,348	3000494
CTE 400 YD 45°	405	1,5	1,993	3000495
CTE 500 YD 45°	505	1,5	2,745	3000496
CTE 600 YD 45°	605	2	4,807	3000497

YD 45°



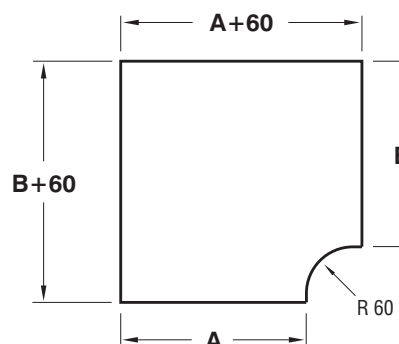
YD 90°



▶▶ CTE HORIZONTAL ELBOW MODULE COVER (90°)

Hot Dip Galvanized After Fabrication (TS EN ISO 1461)

Description	AB (mm)	T (mm)	Weight (kg./pc.)	Order Code
CTE 50 YD 90°	55	1,2	0,142	3000462
CTE 100 YD 90°	105	1,2	0,299	3000463
CTE 150 YD 90°	155	1,2	0,507	3000464
CTE 200 YD 90°	205	1,2	0,767	3000465
CTE 250 YD 90°	255	1,2	1,080	3000466
CTE 300 YD 90°	305	1,5	1,805	3000467
CTE 400 YD 90°	405	1,5	2,912	3000468
CTE 500 YD 90°	505	1,5	4,279	3000469
CTE 600 YD 90°	605	2	7,875	3000470



■ Please indicate order code in your orders.

■ Please contact us for special size.

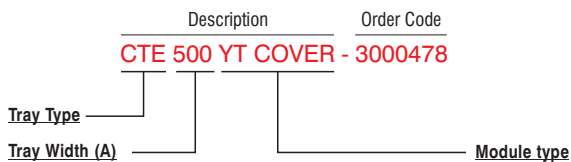
■ Material weights may vary by ± 10%

▶▶ CTE "T" MODULE COVER

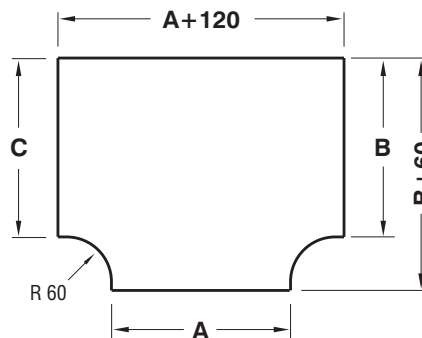
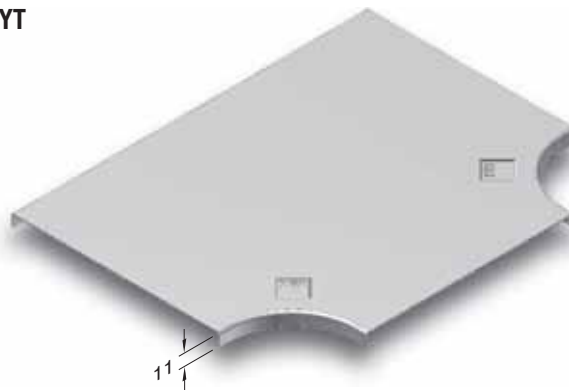
Hot Dip Galvanized After Fabrication (TS EN ISO 1461)

Description	ABC (mm)	T (mm)	Weight (kg/pc)	Order Code
CTE 50 YT	55	1,2	0,180	3000471
CTE 100 YT	105	1,2	0,360	3000472
CTE 150 YT	155	1,2	0,592	3000473
CTE 200 YT	205	1,2	0,876	3000474
CTE 250 YT	255	1,2	1,212	3000475
CTE 300 YT	305	1,5	1,999	3000476
CTE 400 YT	405	1,5	3,164	3000477
CTE 500 YT	505	1,5	4,590	3000478
CTE 600 YT	605	2	8,368	3000479

Sample Order:



YT



▶▶ CTE "+" CONNECTION MODULE COVER

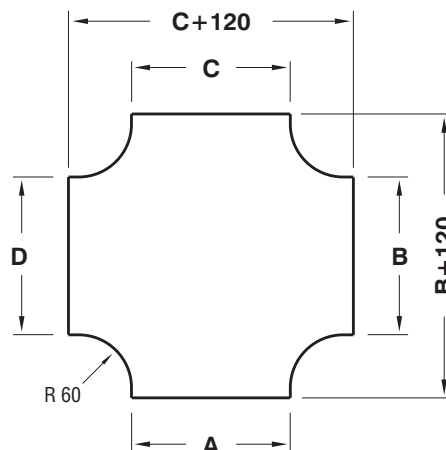
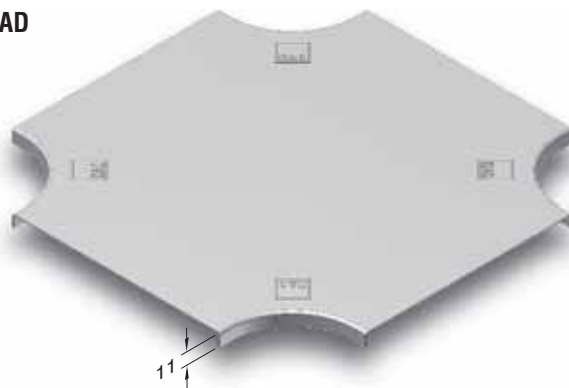
Hot Dip Galvanized After Fabrication (TS EN ISO 1461)

Description	ABCD (mm)	T (mm)	Weight (kg/pc)	Order Code
CTE 50 AD	55	1,2	0,235	3000480
CTE 100 AD	105	1,2	0,430	3000481
CTE 150 AD	155	1,2	0,701	3000482
CTE 200 AD	205	1,2	1,013	3000483
CTE 250 AD	255	1,2	1,376	3000484
CTE 300 AD	305	1,5	2,238	3000485
CTE 400 AD	405	1,5	3,469	3000486
CTE 500 AD	505	1,5	4,958	3000487
CTE 600 AD	605	2	8,944	3000488

Sample Order:



AD

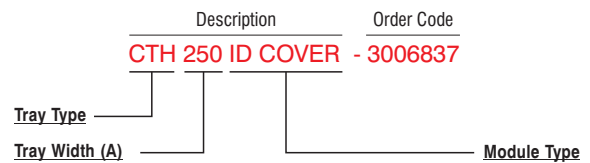
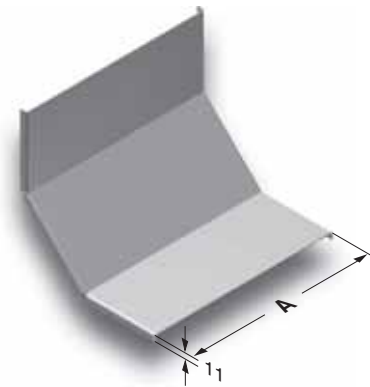
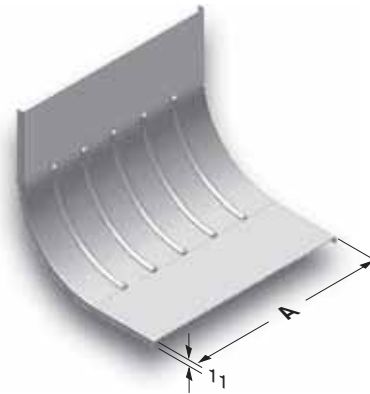


- Please indicate order code in your orders.
- Please contact us for special size.
- Material weights may vary by ± 10%

▶▶ CTH CONCAVE MODULE COVER (90°) Hot Dip Galvanized After Fabrication (TS EN ISO 1461)

Description	A (mm)	T (mm)	Weight (kg/pc)	Order Code
CTH 050 ID COVER	55	1,5	0,384	3005418
CTH 100 ID COVER	105	1,5	0,634	3006843
CTH 150 ID COVER	155	1,5	0,883	3006841
CTH 200 ID COVER	205	1,5	1,133	3006839
CTH 250 ID COVER	255	1,5	1,382	3006837
CTH 300 ID COVER	305	1,5	1,632	3006835
CTH 400 ID COVER	405	1,5	2,131	3006833
CTH 500 ID COVER	505	1,5	2,630	3006831
CTH 600 ID COVER	605	1,5	3,129	3006829
<hr/>				
125 CTH 150 ID COVER	155	1,5	0,861	3024363
125 CTH 200 ID COVER	205	1,5	1,109	3024364
125 CTH 250 ID COVER	255	1,5	1,356	3024365
125 CTH 300 ID COVER	305	1,5	1,604	3024366
125 CTH 400 ID COVER	405	1,5	2,100	3024367
125 CTH 500 ID COVER	505	1,5	2,595	3024368
125 CTH 600 ID COVER	605	1,5	3,091	3024369
<hr/>				
150 CTH 200 ID COVER	205	1,5	1,109	3024364
150 CTH 250 ID COVER	255	1,5	1,356	3024365
150 CTH 300 ID COVER	305	1,5	1,604	3024366
150 CTH 400 ID COVER	405	1,5	2,100	3024367
150 CTH 500 ID COVER	505	1,5	2,595	3024368
150 CTH 600 ID COVER	605	1,5	3,091	3024369

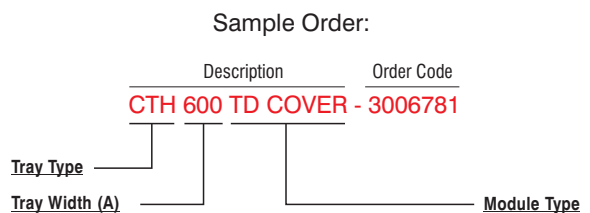
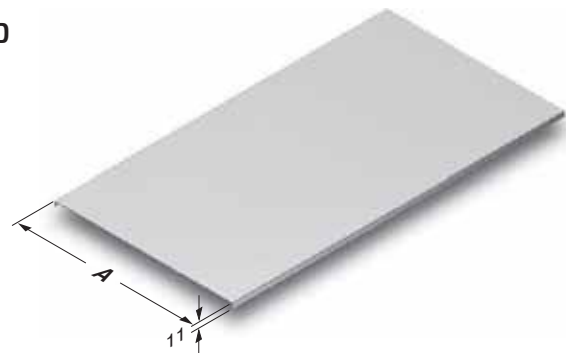
ID



▶▶ CTH "T" WALL DESCENT MODULE COVER Hot Dip Galvanized After Fabrication (TS EN ISO 1461)

Description	ABC (mm)	T (mm)	Weight (kg/pc)	Order Code
CTH 050 TD COVER	55	1,5	0,479	3005396
CTH 100 TD COVER	105	1,5	0,879	3006795
CTH 150 TD COVER	155	1,5	1,344	3006793
CTH 200 TD COVER	205	1,5	1,728	3006791
CTH 250 TD COVER	255	1,5	2,291	3006789
CTH 300 TD COVER	305	1,5	3,131	3006787
CTH 400 TD COVER	405	1,5	4,094	3006785
CTH 500 TD COVER	505	1,5	5,058	3006783
CTH 600 TD COVER	605	1,5	6,021	3006781

TD



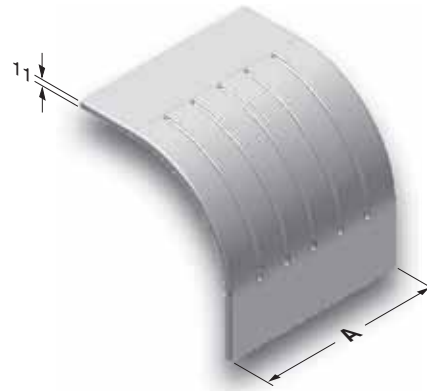
- Please indicate order code in your orders.
- Material weights may vary by ± 10%

■ Please contact us for special size.

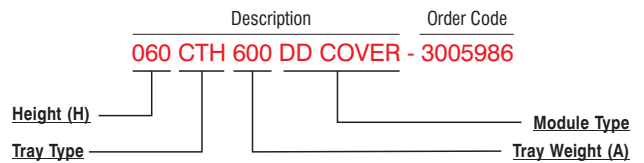
▶▶ CTH CONVEX MODULE COVER (90°) Hot Dip Galvanized After Fabrication (TS EN ISO 1461)

Description	A (mm)	T (mm)	Weight (kg/pc.)	Order Code
040 CTH 050 DD COVER	55	1,5	0,447	3005416
040 CTH 100 DD COVER	105	1,5	0,737	3006827
040 CTH 150 DD COVER	155	1,5	1,027	3006825
040 CTH 200 DD COVER	205	1,5	1,317	3006823
040 CTH 250 DD COVER	255	1,5	1,608	3006821
040 CTH 300 DD COVER	305	1,5	1,898	3006819
040 CTH 400 DD COVER	405	1,5	2,478	3006817
040 CTH 500 DD COVER	505	1,5	3,058	3006815
040 CTH 600 DD COVER	605	1,5	3,639	3006813
050 CTH 050 DD COVER	55	1,5	0,463	3001190
050 CTH 100 DD COVER	105	1,5	0,763	3006016
050 CTH 150 DD COVER	155	1,5	1,063	3006014
050 CTH 200 DD COVER	205	1,5	1,364	3006012
050 CTH 250 DD COVER	255	1,5	1,664	3006010
050 CTH 300 DD COVER	305	1,5	1,964	3006008
050 CTH 400 DD COVER	405	1,5	2,565	3006006
050 CTH 500 DD COVER	505	1,5	3,166	3006004
050 CTH 600 DD COVER	605	1,5	3,766	3006002
060 CTH 100 DD COVER	105	1,5	0,789	3006000
060 CTH 150 DD COVER	155	1,5	1,099	3005998
060 CTH 200 DD COVER	205	1,5	1,410	3005996
060 CTH 250 DD COVER	255	1,5	1,720	3005994
060 CTH 300 DD COVER	305	1,5	2,031	3005992
060 CTH 400 DD COVER	405	1,5	2,652	3005990
060 CTH 500 DD COVER	505	1,5	3,273	3005988
060 CTH 600 DD COVER	605	1,5	3,894	3005986
075 CTH 100 DD COVER	105	1,5	0,827	3005984
075 CTH 150 DD COVER	155	1,5	1,153	3005414
075 CTH 200 DD COVER	205	1,5	1,479	3005982
075 CTH 250 DD COVER	255	1,5	1,805	3005412
075 CTH 300 DD COVER	305	1,5	2,130	3005980
075 CTH 400 DD COVER	405	1,5	2,782	3005978
075 CTH 500 DD COVER	505	1,5	3,434	3005976
075 CTH 600 DD COVER	605	1,5	4,085	3005974
100 CTH 100 DD COVER	105	1,5	0,892	3001191
100 CTH 150 DD COVER	155	1,5	1,243	3005410
100 CTH 200 DD COVER	205	1,5	1,594	3005972
100 CTH 250 DD COVER	255	1,5	1,946	3005408
100 CTH 300 DD COVER	305	1,5	2,297	3005970
100 CTH 400 DD COVER	405	1,5	2,999	3005968
100 CTH 500 DD COVER	505	1,5	3,701	3005966
100 CTH 600 DD COVER	605	1,5	4,404	3005964

DD



Sample Order:



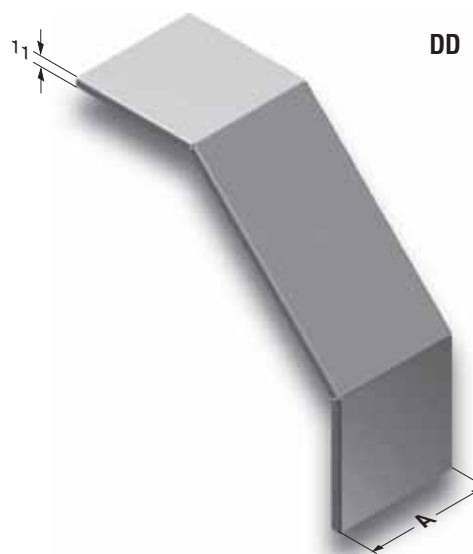
■ Please indicate order code in your orders.

■ Material weights may vary by ± 10%

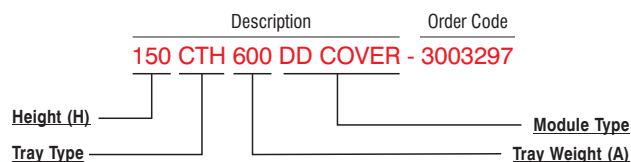
■ Please contact us for special size.

►► CTH CONVEX MODULE COVER (90°) Hot Dip Galvanized After Fabrication (TS EN ISO 1461)

Description	A (mm)	T (mm)	Weight (kg/pc.)	Order Code
125 CTH 150 DD COVER	155	1,5	1,348	3003285
125 CTH 200 DD COVER	205	1,5	1,726	3003286
125 CTH 250 DD COVER	255	1,5	2,109	3003287
125 CTH 300 DD COVER	305	1,5	2,490	3003288
125 CTH 400 DD COVER	405	1,5	3,256	3003289
125 CTH 500 DD COVER	505	1,5	4,021	3003290
125 CTH 600 DD COVER	605	1,5	4,785	3003291
150 CTH 200 DD COVER	205	1,5	1,848	3003292
150 CTH 250 DD COVER	255	1,5	2,258	3003293
150 CTH 300 DD COVER	305	1,5	2,668	3003294
150 CTH 400 DD COVER	405	1,5	3,487	3003295
150 CTH 500 DD COVER	505	1,5	4,305	3003296
150 CTH 600 DD COVER	605	1,5	5,126	3003297



Sample Order:



■ Please indicate order code in your orders.

■ Material weights may vary by ± 10%

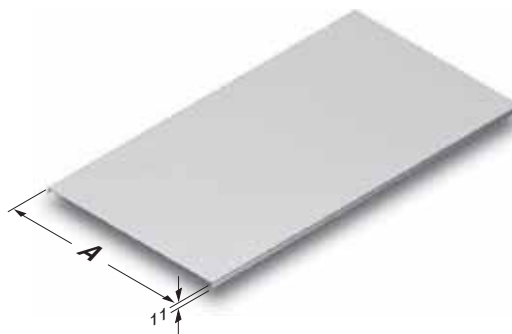
■ Please contact us for special size.

▶▶ CTH "T" MIDDLE DESCENT MODULE COVER

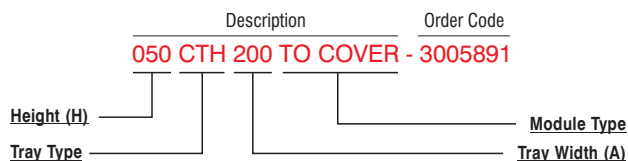
Hot Dip Galvanized After Fabrication (TS EN ISO 1461)

Description	A (mm)	T (mm)	Weight (kg./pc)	Order Code
040 CTH 050 TO COVER	55	1,5	0,469	3005406
040 CTH 100 TO COVER	105	1,5	0,781	3006811
040 CTH 150 TO COVER	155	1,5	1,093	3006809
040 CTH 200 TO COVER	205	1,5	1,406	3006807
040 CTH 250 TO COVER	255	1,5	1,718	3006805
040 CTH 300 TO COVER	305	1,5	2,031	3006803
040 CTH 400 TO COVER	405	1,5	2,655	3006801
040 CTH 500 TO COVER	505	1,5	3,280	3006799
040 CTH 600 TO COVER	605	1,5	3,906	3006797
050 CTH 050 TO COVER	55	1,5	0,479	3001188
050 CTH 100 TO COVER	105	1,5	0,798	3005895
050 CTH 150 TO COVER	155	1,5	1,117	3005893
050 CTH 200 TO COVER	205	1,5	1,436	3005891
050 CTH 250 TO COVER	255	1,5	1,755	3005889
050 CTH 300 TO COVER	305	1,5	2,074	3005887
050 CTH 400 TO COVER	405	1,5	2,712	3005885
050 CTH 500 TO COVER	505	1,5	3,350	3005883
050 CTH 600 TO COVER	605	1,5	3,986	3005881
060 CTH 100 TO COVER	105	1,5	0,814	3005879
060 CTH 150 TO COVER	155	1,5	1,140	3005877
060 CTH 200 TO COVER	205	1,5	1,464	3005875
060 CTH 250 TO COVER	255	1,5	1,790	3005873
060 CTH 300 TO COVER	305	1,5	2,115	3005871
060 CTH 400 TO COVER	405	1,5	2,767	3005869
060 CTH 500 TO COVER	505	1,5	3,418	3005867
060 CTH 600 TO COVER	605	1,5	4,068	3005865
075 CTH 100 TO COVER	105	1,5	0,838	3005863
075 CTH 150 TO COVER	155	1,5	1,174	3005404
075 CTH 200 TO COVER	205	1,5	1,508	3005861
075 CTH 250 TO COVER	255	1,5	1,844	3005402
075 CTH 300 TO COVER	305	1,5	2,179	3005859
075 CTH 400 TO COVER	405	1,5	2,849	3005857
075 CTH 500 TO COVER	505	1,5	3,520	3005855
075 CTH 600 TO COVER	605	1,5	4,190	3005853
100 CTH 100 TO COVER	105	1,5	0,879	3001189
100 CTH 150 TO COVER	155	1,5	1,230	3005400
100 CTH 200 TO COVER	205	1,5	1,582	3005851
100 CTH 250 TO COVER	255	1,5	1,933	3005398
100 CTH 300 TO COVER	305	1,5	2,285	3005849
100 CTH 400 TO COVER	405	1,5	2,988	3005847
100 CTH 500 TO COVER	505	1,5	3,691	3005845
100 CTH 600 TO COVER	605	1,5	4,393	3005843

TO



Sample Order:



Description	A (mm)	T (mm)	Weight (kg./pc)	Order Code
125 CTH 150 TO COVER	155	1,5	1,282	3003298
125 CTH 200 TO COVER	205	1,5	1,647	3003299
125 CTH 250 TO COVER	255	1,5	2,013	3003300
125 CTH 300 TO COVER	305	1,5	2,379	3003301
125 CTH 400 TO COVER	405	1,5	3,111	3003302
125 CTH 500 TO COVER	505	1,5	3,842	3003303
125 CTH 600 TO COVER	605	1,5	4,575	3003304
150 CTH 200 TO COVER	205	1,5	1,720	3003305
150 CTH 250 TO COVER	255	1,5	2,102	3003306
150 CTH 300 TO COVER	305	1,5	2,484	3003307
150 CTH 400 TO COVER	405	1,5	3,248	3003308
150 CTH 500 TO COVER	505	1,5	4,013	3003309
150 CTH 600 TO COVER	605	1,5	4,777	3003310

■ Please indicate order code in your orders.

■ Material weights may vary by ± 10%

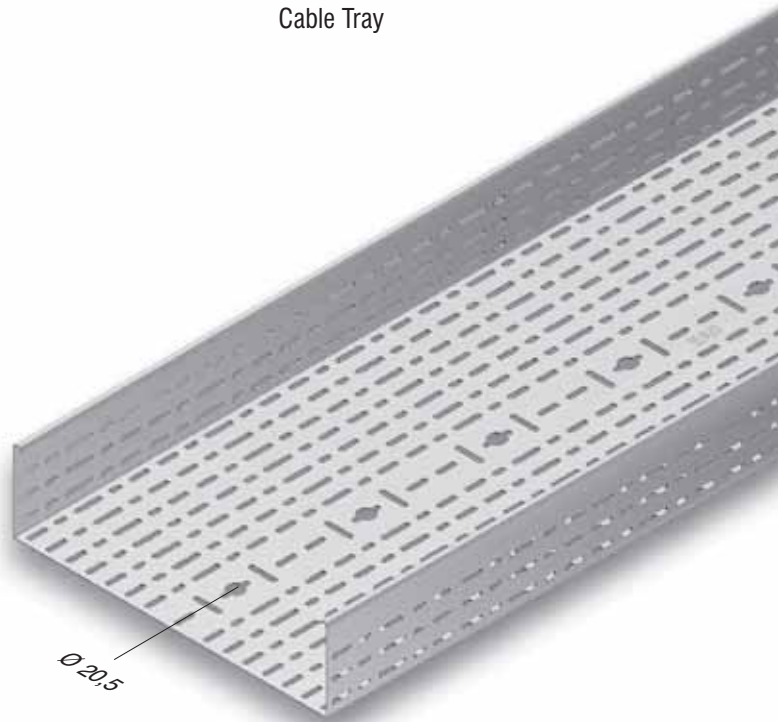
■ Please contact us for special size.

▶▶ CTA CABLE TRAYS

Hot Dip Galvanized After Fabrication (TS EN ISO 1461)

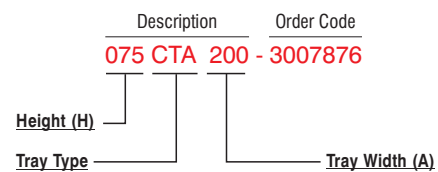
Description	H (mm)	A (mm)	T (mm)	Weight (kg./m)	Order Code
040 CTA 050	40	50	2	2,186	3005730
040 CTA 100	40	100	2	2,895	3000137
040 CTA 150	40	150	2	3,601	3000135
040 CTA 200	40	200	2	4,326	3000133
040 CTA 250	40	250	2	5,033	3000131
040 CTA 300	40	300	2	5,741	3000129
040 CTA 400	40	400	2	7,168	3000127
040 CTA 500	40	500	2	8,569	3000125
040 CTA 600	40	600	2	9,985	3000123
050 CTA 050	50	50	2	2,532	3001186
050 CTA 100	50	100	2	3,258	3007888
050 CTA 150	50	150	2	3,947	3007336
050 CTA 200	50	200	2	4,671	3007886
050 CTA 250	50	250	2	5,543	3007334
050 CTA 300	50	300	2	6,087	3007884
050 CTA 400	50	400	2	7,514	3007882
050 CTA 500	50	500	2	8,915	3007880
050 CTA 600	50	600	2	10,296	3007878
060 CTA 100	60	100	2	3,603	3000121
060 CTA 150	60	150	2	4,310	3000119
060 CTA 200	60	200	2	5,017	3000117
060 CTA 250	60	250	2	5,724	3000115
060 CTA 300	60	300	2	6,432	3000113
060 CTA 400	60	400	2	7,859	3000111
060 CTA 500	60	500	2	9,243	3000109
060 CTA 600	60	600	2	10,676	3000107
075 CTA 100	75	100	2	3,965	3007332
075 CTA 150	75	150	2	4,671	3007330
075 CTA 200	75	200	2	5,379	3007876
075 CTA 250	75	250	2	6,087	3007310
075 CTA 300	75	300	2	6,794	3007874
075 CTA 400	75	400	2	8,221	3007872
075 CTA 500	75	500	2	9,622	3007870
075 CTA 600	75	600	2	11,038	3007868
100 CTA 100	100	100	2	4,673	3001187
100 CTA 150	100	150	2	5,379	3007328
100 CTA 200	100	200	2	6,086	3007866
100 CTA 250	100	250	2	6,794	3007326
100 CTA 300	100	300	2	7,502	3007864
100 CTA 400	100	400	2	8,929	3007862
100 CTA 500	100	500	2	10,330	3007860
100 CTA 600	100	600	2	11,746	3007858

Cable Tray



H=040, H=050, H=060 single line perforated
 H=075 double line perforated
 H=100 triple line perforated

Sample Order:
 Height (H): 75 mm,
 Tray Width (A): 200 mm,
 Sheet Metal Thickness (T): 2 mm,
 Type of Coating (S): Hot Dip Galvanized,
 Module Type: Cable Tray.



- Please indicate order code in your orders.
- Material weights may vary by ± 10%

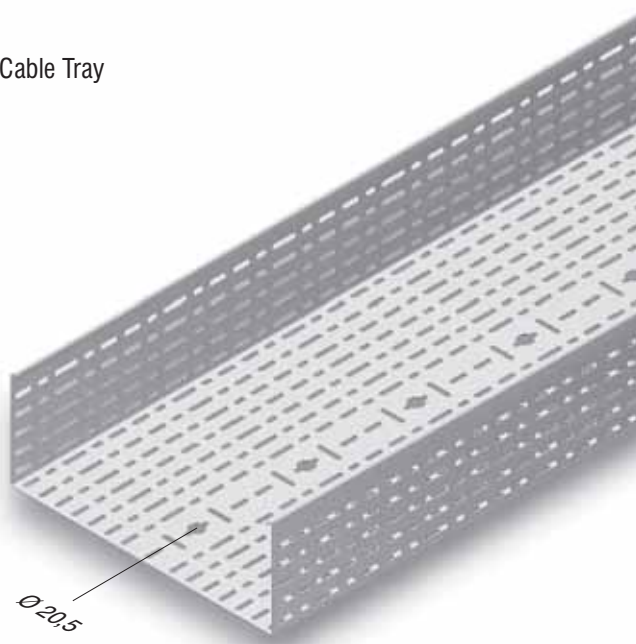
- Standard length is 3000 mm.
- Please contact us for special size.

▶▶ CTA CABLE TRAYS

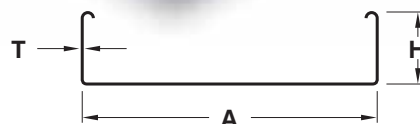
Hot Dip Galvanized After Fabrication (TS EN ISO 1461)

Description	H (mm)	A (mm)	T (mm)	Weight (kg./m)	Order Code
125 CTA 150	125	150	2	6,086	3003156
125 CTA 200	125	200	2	6,794	3003157
125 CTA 250	125	250	2	7,502	3003158
125 CTA 300	125	300	2	8,210	3003159
125 CTA 400	125	400	2	9,636	3003160
125 CTA 500	125	500	2	11,037	3003161
125 CTA 600	125	600	2	12,453	3003162
150 CTA 200	150	200	2	7,501	3003163
150 CTA 250	150	250	2	8,209	3003164
150 CTA 300	150	300	2	8,918	3003165
150 CTA 400	150	400	2	10,344	3003166
150 CTA 500	150	500	2	11,745	3003167
150 CTA 600	150	600	2	13,160	3007921

Cable Tray

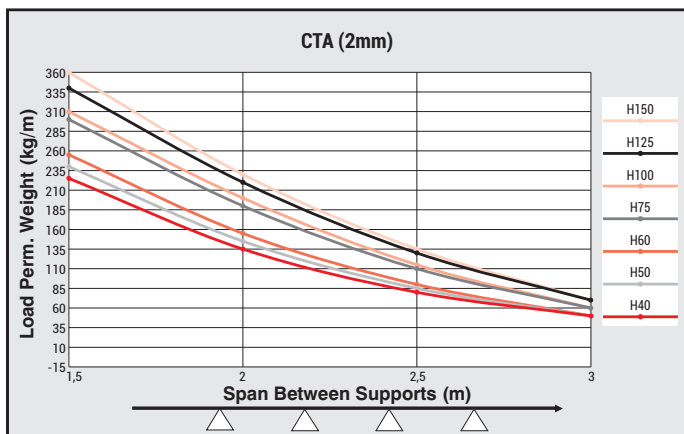


Ø 20,5



H=125 four rows perforated. H=150 five rows perforated.

- Load Perm. Weight may change +/- according to the sheet tolerance and hardness. Please contact to your customer representative for detailed information.

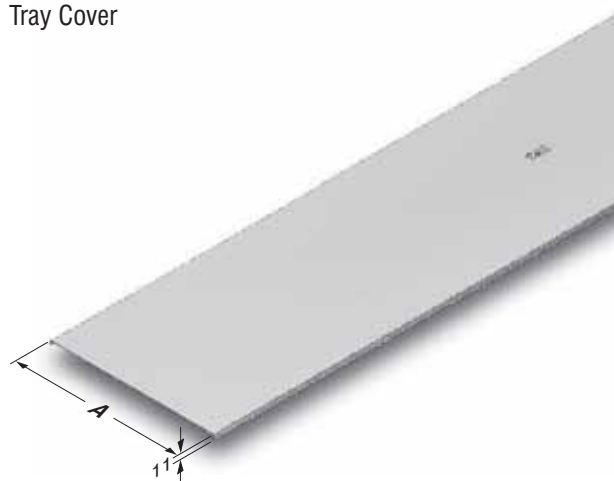


▶▶ CTA TRAY COVER

Hot Dip Galvanized After Fabrication (TS EN ISO 1461)

Description	A (mm)	T (mm)	Weight (kg./m.)	Order Code
CTA 050 COVER	55	2	1,249	3005458
CTA 100 COVER	105	2	2,117	3005698
CTA 150 COVER	155	2	2,985	3005696
CTA 200 COVER	205	2	3,853	3005694
CTA 250 COVER	255	2	4,721	3005692
CTA 300 COVER	305	2	5,589	3005690
CTA 400 COVER	405	2	7,324	3005688
CTA 500 COVER	505	2	9,060	3005686
CTA 600 COVER	605	2	10,796	3005684

Tray Cover



- Please indicate order code in your orders.
- Material weights may vary by ± 10%

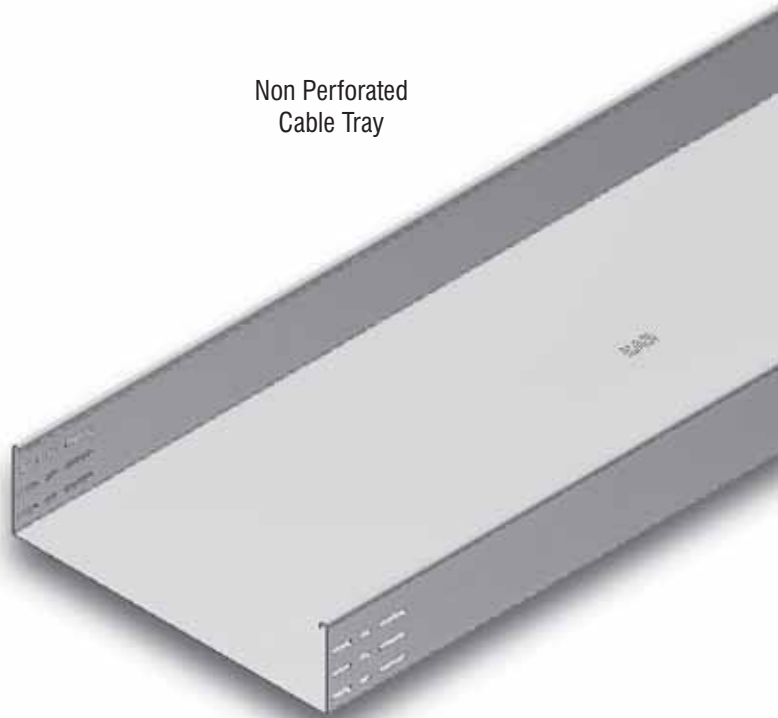
- Standard length is 3000 mm.
- Please contact us for special size.

▶▶ CTA-D CABLE TRAYS

Hot Dip Galvanized After Fabrication (TS EN ISO 1461)

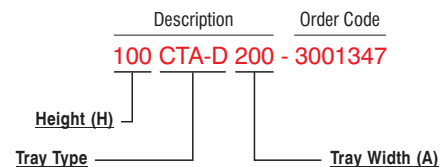
Description	H (mm)	A (mm)	T (mm)	Weight (kg./m)	Order Code
040 CTA-D 050	40	50	2	2,458	3001311
040 CTA-D 100	40	100	2	3,321	3001312
040 CTA-D 150	40	150	2	4,185	3001313
040 CTA-D 200	40	200	2	5,066	3001314
040 CTA-D 250	40	250	2	5,929	3001315
040 CTA-D 300	40	300	2	6,793	3001316
040 CTA-D 400	40	400	2	8,520	3001317
040 CTA-D 500	40	500	2	10,247	3001318
040 CTA-D 600	40	600	2	11,974	3001319
<hr/>					
050 CTA-D 050	50	50	2	2,769	3001320
050 CTA-D 100	50	100	2	3,667	3001321
050 CTA-D 150	50	150	2	4,547	3001322
050 CTA-D 200	50	200	2	5,411	3001323
050 CTA-D 250	50	250	2	6,274	3001324
050 CTA-D 300	50	300	2	7,138	3001325
050 CTA-D 400	50	400	2	8,865	3001326
050 CTA-D 500	50	500	2	10,592	3001327
050 CTA-D 600	50	600	2	12,319	3001328
<hr/>					
060 CTA-D 100	60	100	2	4,012	3001329
060 CTA-D 150	60	150	2	4,876	3001330
060 CTA-D 200	60	200	2	5,755	3001331
060 CTA-D 250	60	250	2	6,823	3001332
060 CTA-D 300	60	300	2	7,483	3001333
060 CTA-D 400	60	400	2	9,210	3001334
060 CTA-D 500	60	500	2	10,937	3001335
060 CTA-D 600	60	600	2	12,664	3001336
<hr/>					
075 CTA-D 100	75	100	2	4,536	3001337
075 CTA-D 150	75	150	2	5,400	3001338
075 CTA-D 200	75	200	2	6,263	3001339
075 CTA-D 250	75	250	2	7,127	3001340
075 CTA-D 300	75	300	2	7,990	3001341
075 CTA-D 400	75	400	2	9,717	3001342
075 CTA-D 500	75	500	2	11,444	3001343
075 CTA-D 600	75	600	2	13,171	3001344
<hr/>					
100 CTA-D 100	100	100	2	5,371	3001345
100 CTA-D 150	100	150	2	6,248	3001346
100 CTA-D 200	100	200	2	7,115	3001347
100 CTA-D 250	100	250	2	7,979	3001348
100 CTA-D 300	100	300	2	8,842	3001349
100 CTA-D 400	100	400	2	10,569	3001350
100 CTA-D 500	100	500	2	12,296	3001351
100 CTA-D 600	100	600	2	14,023	3001352

Non Perforated Cable Tray



H=040, H=050, H=060 single line perforated
 H=075 double line perforated
 H=100 triple line perforated

Sample Order:
 Height (H): 100 mm,
 Tray Width (A): 200 mm,
 Sheet Metal Thickness (T): 2 mm,
 Type of Coating (S): Hot Dip Galvanized,
 Module Type: Non Perforated Cable Tray.



- Please indicate order code in your orders.
- Material weights may vary by ± 10%

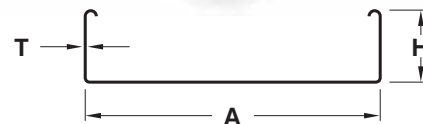
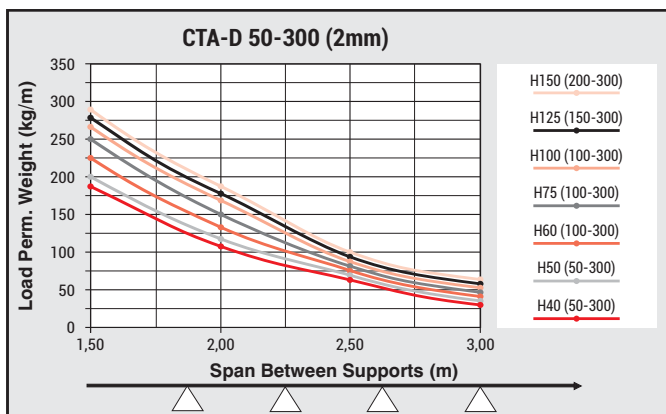
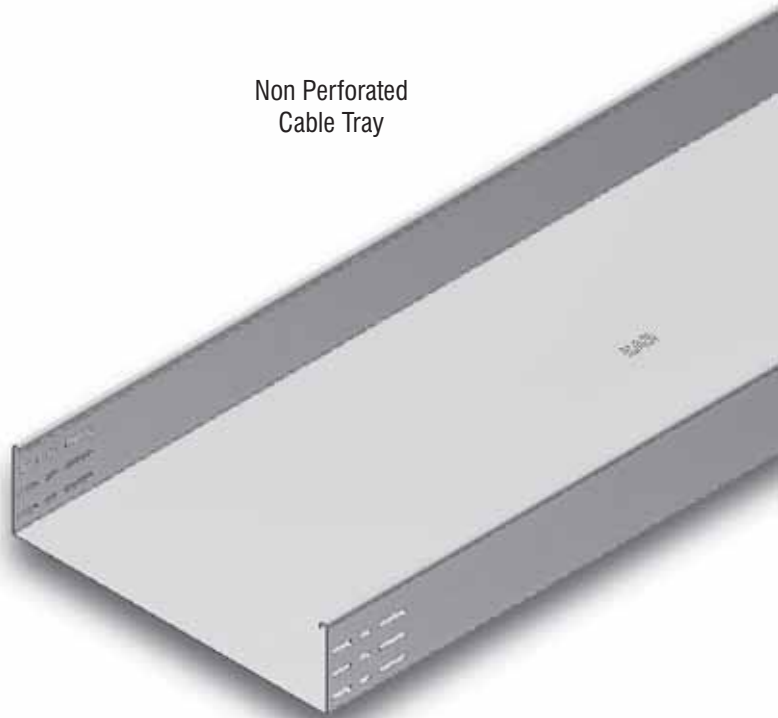
- Standard length is 3000 mm.
- Please contact us for special size.

▶▶ CTA-D CABLE TRAYS

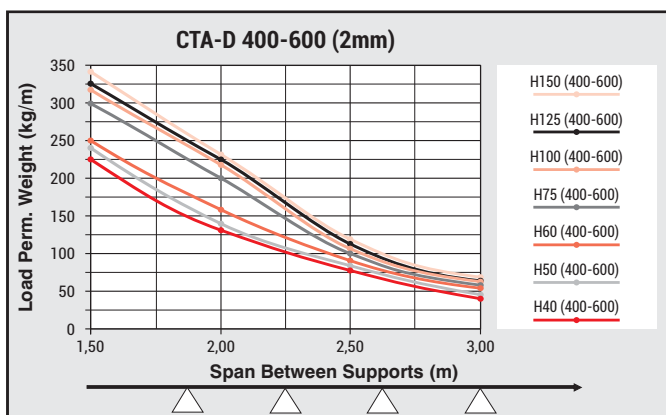
Hot Dip Galvanized (TS EN ISO 1461)

Description	H (mm)	A (mm)	T (mm)	Weight (kg./m.)	Order Code
125 CTA-D 150	125	150	2	7,014	3003168
125 CTA-D 200	125	200	2	7,877	3003169
125 CTA-D 250	125	250	2	8,741	3003170
125 CTA-D 300	125	300	2	9,604	3003171
125 CTA-D 400	125	400	2	11,331	3003172
125 CTA-D 500	125	500	2	13,058	3003173
125 CTA-D 600	125	600	2	14,785	3003174
150 CTA-D 200	150	200	2	8,707	3003175
150 CTA-D 250	150	250	2	9,570	3003176
150 CTA-D 300	150	300	2	10,434	3003177
150 CTA-D 400	150	400	2	12,161	3003178
150 CTA-D 500	150	500	2	13,888	3003179
150 CTA-D 600	150	600	2	15,615	3003180

Non Perforated Cable Tray

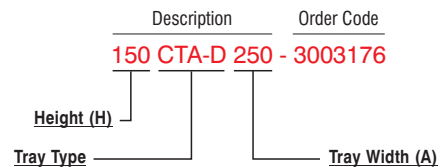


H=040, H=050, H=060 single row perforated.
H=075 double rows perforated.
H=100 triple rows perforated.



Sample Order:

Height (H): 150 mm,
Tray Width (A): 250 mm,
Sheet Metal Thickness (T): 2 mm,
Type of Coating (S): Hot Dip Galvanized,
Module Type: Non Perforated Cable Tray.



■ Load Perm. Weight may change +/- according to the sheet tolerance and hardness.
Please contact to your customer representative for detailed information.

■ Please indicate order code in your orders.

■ Material weights may vary by ± 10%

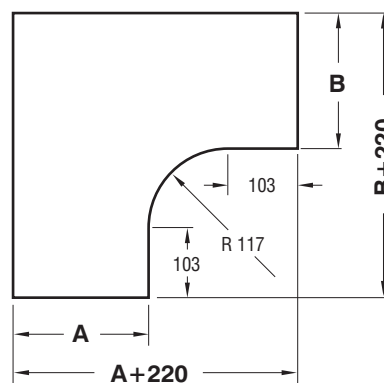
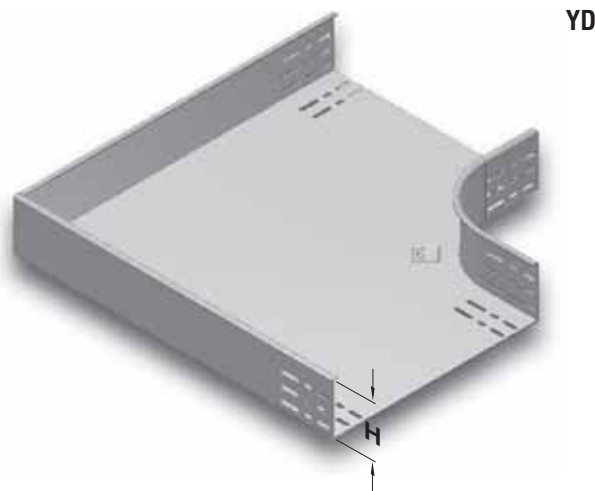
■ Standard length is 3000 mm.

■ Please contact us for special size.

▶▶ CTA HORIZONTAL ELBOW MODULE (90°)

Hot Dip Galvanized (TS EN ISO 1461)

Description	H (mm)	AB (mm)	T (mm)	Weight (kg./pc.)	Order Code
040 CTA 050 YD	40	50	2	1,189	3005734
040 CTA 100 YD	40	100	2	1,775	3006295
040 CTA 150 YD	40	150	2	2,448	3006293
040 CTA 200 YD	40	200	2	3,207	3006291
040 CTA 250 YD	40	250	2	4,052	3006289
040 CTA 300 YD	40	300	2	4,984	3006287
040 CTA 400 YD	40	400	2	7,107	3006285
040 CTA 500 YD	40	500	2	9,574	3006283
040 CTA 600 YD	40	600	2	12,387	3006281
<hr/>					
050 CTA 050 YD	50	50	2	1,302	3001184
050 CTA 100 YD	50	100	2	1,910	3007824
050 CTA 150 YD	50	150	2	2,604	3007118
050 CTA 200 YD	50	200	2	3,385	3007822
050 CTA 250 YD	50	250	2	4,253	3007116
050 CTA 300 YD	50	300	2	5,207	3007820
050 CTA 400 YD	50	400	2	7,378	3007818
050 CTA 500 YD	50	500	2	9,895	3007816
050 CTA 600 YD	50	600	2	12,759	3007814
<hr/>					
060 CTA 100 YD	60	100	2	2,138	3006279
060 CTA 150 YD	60	150	2	2,850	3006277
060 CTA 200 YD	60	200	2	3,648	3006275
060 CTA 250 YD	60	250	2	4,534	3006273
060 CTA 300 YD	60	300	2	5,506	3006271
060 CTA 400 YD	60	400	2	7,710	3006269
060 CTA 500 YD	60	500	2	10,261	3006267
060 CTA 600 YD	60	600	2	13,161	3006265
<hr/>					
075 CTA 100 YD	75	100	2	2,364	3007114
075 CTA 150 YD	75	150	2	3,103	3007112
075 CTA 200 YD	75	200	2	3,926	3007812
075 CTA 250 YD	75	250	2	4,838	3007110
075 CTA 300 YD	75	300	2	5,836	3007810
075 CTA 400 YD	75	400	2	8,092	3007808
075 CTA 500 YD	75	500	2	10,696	3007806
075 CTA 600 YD	75	600	2	13,647	3007804
<hr/>					
100 CTA 100 YD	100	100	2	2,756	3001185
100 CTA 150 YD	100	150	2	3,537	3007108
100 CTA 200 YD	100	200	2	4,405	3007802
100 CTA 250 YD	100	250	2	5,360	3007106
100 CTA 300 YD	100	300	2	6,401	3007800
100 CTA 400 YD	100	400	2	8,744	3007798
100 CTA 500 YD	100	500	2	11,435	3007796
100 CTA 600 YD	100	600	2	14,472	3007794



H=040, H=050, H=060 single row perforated.
 H=075 two rows perforated.
 H=100 three rows perforated.
 H=125 four rows perforated.
 H=150 five rows perforated.

Description	H (mm)	AB (mm)	T (mm)	Weight (kg./pc.)	Order Code
125 CTA 150 YD	125	150	2	3,861	3003412
125 CTA 200 YD	125	200	2	4,868	3003413
125 CTA 250 YD	125	250	2	5,860	3003414
125 CTA 300 YD	125	300	2	6,934	3003415
125 CTA 400 YD	125	400	2	9,354	3003416
125 CTA 500 YD	125	500	2	12,104	3003417
125 CTA 600 YD	125	600	2	15,222	3003418
<hr/>					
150 CTA 200 YD	150	200	2	5,181	3003419
150 CTA 250 YD	150	250	2	6,398	3003420
150 CTA 300 YD	150	300	2	7,590	3003421
150 CTA 400 YD	150	400	2	9,669	3003422
150 CTA 500 YD	150	500	2	12,869	3003423
150 CTA 600 YD	150	600	2	16,062	3003424

■ Please indicate order code in your orders.

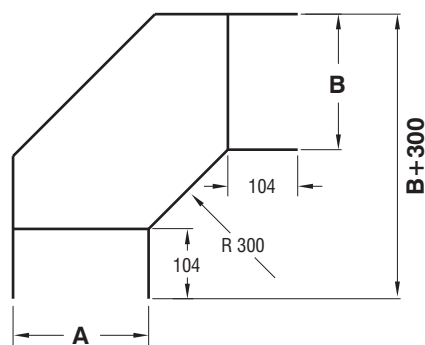
■ Material weights may vary by ± 10%

■ Please contact us for special size.

▶▶ CTA HORIZONTAL ELBOW MODULE (90°) R=300

Hot Dip Galvanized After Fabrication (TS EN ISO 1461)

Description	H (mm)	AB (mm)	T (mm)	Weight (kg./pc.)	Order Code
040 CTA 050 YD	40	50	2	1,289	3002500
040 CTA 100 YD	40	100	2	1,700	3002501
040 CTA 150 YD	40	150	2	2,182	3002502
040 CTA 200 YD	40	200	2	2,737	3002503
040 CTA 250 YD	40	250	2	3,363	3002504
040 CTA 300 YD	40	300	2	4,060	3002505
040 CTA 400 YD	40	400	2	5,669	3002506
040 CTA 500 YD	40	500	2	7,565	3002507
040 CTA 600 YD	40	600	2	9,746	3002508
<hr/>					
050 CTA 050 YD	50	50	2	1,465	3002509
050 CTA 100 YD	50	100	2	1,890	3002510
050 CTA 150 YD	50	150	2	2,387	3002511
050 CTA 200 YD	50	200	2	2,956	3002512
050 CTA 250 YD	50	250	2	3,596	3002513
050 CTA 300 YD	50	300	2	4,308	3002514
050 CTA 400 YD	50	400	2	5,946	3002515
050 CTA 500 YD	50	500	2	7,860	3002516
050 CTA 600 YD	50	600	2	10,080	3002517
<hr/>					
060 CTA 100 YD	60	100	2	2,077	3002518
060 CTA 150 YD	60	150	2	2,588	3002519
060 CTA 200 YD	60	200	2	3,171	3002520
060 CTA 250 YD	60	250	2	3,826	3002521
060 CTA 300 YD	60	300	2	4,552	3002522
060 CTA 400 YD	60	400	2	6,218	3002523
060 CTA 500 YD	60	500	2	8,171	3002524
060 CTA 600 YD	60	600	2	10,409	3002525
<hr/>					
075 CTA 100 YD	75	100	2	2,331	3002526
075 CTA 150 YD	75	150	2	2,863	3002527
075 CTA 200 YD	75	200	2	3,467	3002528
075 CTA 250 YD	75	250	2	4,144	3002529
075 CTA 300 YD	75	300	2	4,891	3002530
075 CTA 400 YD	75	400	2	6,600	3002531
075 CTA 500 YD	75	500	2	8,597	3002532
075 CTA 600 YD	75	600	2	10,878	3002533
<hr/>					
100 CTA 100 YD	100	100	2	2,771	3002534
100 CTA 150 YD	100	150	2	3,340	3002535
100 CTA 200 YD	100	200	2	3,980	3002536
100 CTA 250 YD	100	250	2	4,690	3002537
100 CTA 300 YD	100	300	2	5,474	3002538
100 CTA 400 YD	100	400	2	7,256	3002539
100 CTA 500 YD	100	500	2	9,323	3002540
100 CTA 600 YD	100	600	2	11,180	3002541



H=040, H=050, H=060 single row perforated.
 H=075 two rows perforated.
 H=100 three rows perforated.
 H=125 four rows perforated.
 H=150 five rows perforated.

Description	H (mm)	AB (mm)	T (mm)	Weight (kg./pc.)	Order Code
125 CTA 150 YD	125	150	2	3,815	3003425
125 CTA 200 YD	125	200	2	4,491	3003426
125 CTA 250 YD	125	250	2	5,238	3003427
125 CTA 300 YD	125	300	2	6,058	3003428
125 CTA 400 YD	125	400	2	7,910	3003429
125 CTA 500 YD	125	500	2	10,049	3003430
125 CTA 600 YD	125	600	2	12,473	3003431
<hr/>					
150 CTA 200 YD	150	200	2	5,003	3003432
150 CTA 250 YD	150	250	2	5,786	3003433
150 CTA 300 YD	150	300	2	6,641	3003434
150 CTA 400 YD	150	400	2	8,565	3003435
150 CTA 500 YD	150	500	2	10,775	3003436
150 CTA 600 YD	150	600	2	13,272	3003437

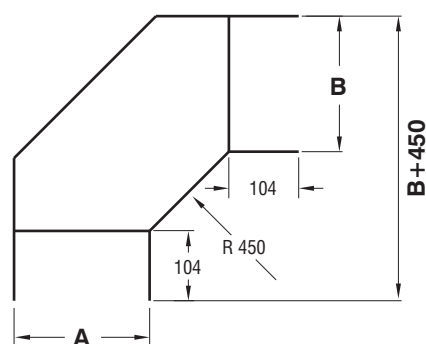
■ Please indicate order code in your orders.

■ Material weights may vary by ± 10%

■ Please contact us for special size.

▶▶ CTA HORIZONTAL ELBOW MODULE (90°) R=450 Hot Dip Galvanized After Fabrication (TS EN ISO 1461)

Description	H (mm)	AB (mm)	T (mm)	Weight (kg./pc.)	Order Code
040 CTA 050 YD	40	50	2	1,668	3002542
040 CTA 100 YD	40	100	2	2,186	3002543
040 CTA 150 YD	40	150	2	2,776	3002544
040 CTA 200 YD	40	200	2	3,438	3002545
040 CTA 250 YD	40	250	2	4,171	3002546
040 CTA 300 YD	40	300	2	4,975	3002547
040 CTA 400 YD	40	400	2	6,799	3002548
040 CTA 500 YD	40	500	2	8,909	3002549
040 CTA 600 YD	40	600	2	11,306	3002550
<hr/>					
050 CTA 050 YD	50	50	2	1,883	3002551
050 CTA 100 YD	50	100	2	2,416	3002552
050 CTA 150 YD	50	150	2	3,021	3002553
050 CTA 200 YD	50	200	2	3,696	3002554
050 CTA 250 YD	50	250	2	4,443	3002555
050 CTA 300 YD	50	300	2	5,262	3002556
050 CTA 400 YD	50	400	2	7,115	3002557
050 CTA 500 YD	50	500	2	9,253	3002558
050 CTA 600 YD	50	600	2	11,679	3002559
<hr/>					
060 CTA 100 YD	60	100	2	2,646	3002560
060 CTA 150 YD	60	150	2	3,264	3002561
060 CTA 200 YD	60	200	2	3,955	3002562
060 CTA 250 YD	60	250	2	4,716	3002563
060 CTA 300 YD	60	300	2	5,550	3002564
060 CTA 400 YD	60	400	2	7,431	3002565
060 CTA 500 YD	60	500	2	9,598	3002566
060 CTA 600 YD	60	600	2	12,052	3002567
<hr/>					
075 CTA 100 YD	75	100	2	2,958	3002568
075 CTA 150 YD	75	150	2	3,598	3002569
075 CTA 200 YD	75	200	2	4,310	3002570
075 CTA 250 YD	75	250	2	5,093	3002571
075 CTA 300 YD	75	300	2	5,948	3002572
075 CTA 400 YD	75	400	2	7,872	3002573
075 CTA 500 YD	75	500	2	10,082	3002574
075 CTA 600 YD	75	600	2	12,577	3002575
<hr/>					
100 CTA 100 YD	100	100	2	3,510	3002576
100 CTA 150 YD	100	150	2	4,187	3002577
100 CTA 200 YD	100	200	2	4,934	3002578
100 CTA 250 YD	100	250	2	5,753	3002579
100 CTA 300 YD	100	300	2	6,643	3002580
100 CTA 400 YD	100	400	2	8,639	3002581
100 CTA 500 YD	100	500	2	10,921	3002582
100 CTA 600 YD	100	600	2	13,488	3002583



H=H=040, H=050, H=060 single row perforated.
 H=075 two rows perforated.
 H=100 three rows perforated.
 H=125 four rows perforated.
 H=150 five rows perforated.

Description	H (mm)	AB (mm)	T (mm)	Weight (kg./pc.)	Order Code
125 CTA 150 YD	125	150	2	4,761	3003438
125 CTA 200 YD	125	200	2	5,544	3003439
125 CTA 250 YD	125	250	2	6,399	3003440
125 CTA 300 YD	125	300	2	7,325	3003441
125 CTA 400 YD	125	400	2	9,393	3003442
125 CTA 500 YD	125	500	2	11,746	3003443
125 CTA 600 YD	125	600	2	14,385	3003444
<hr/>					
150 CTA 200 YD	150	200	2	6,172	3003445
150 CTA 250 YD	150	250	2	7,062	3003446
150 CTA 300 YD	150	300	2	8,025	3003447
150 CTA 400 YD	150	400	2	10,163	3003448
150 CTA 500 YD	150	500	2	12,587	3003449
150 CTA 600 YD	150	600	2	15,299	3003450

■ Please indicate order code in your orders.

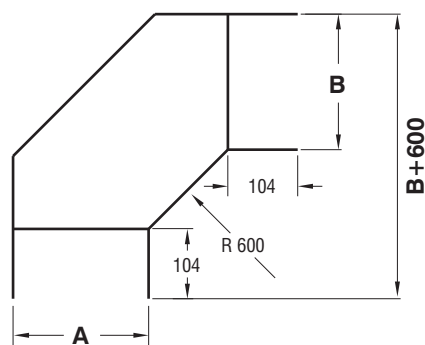
■ Material weights may vary by ± 10%

■ Please contact us for special size.

▶▶ CTA HORIZONTAL ELBOW MODULE (90°) R=600

Hot Dip Galvanized After Fabrication (TS EN ISO 1461)

Description	H (mm)	AB (mm)	T (mm)	Weight (kg./pc.)	Order Code
040 CTA 050 YD	40	50	2	2,039	3002584
040 CTA 100 YD	40	100	2	2,665	3002585
040 CTA 150 YD	40	150	2	3,363	3002586
040 CTA 200 YD	40	200	2	4,132	3002587
040 CTA 250 YD	40	250	2	4,972	3002588
040 CTA 300 YD	40	300	2	5,884	3002589
040 CTA 400 YD	40	400	2	7,922	3002590
040 CTA 500 YD	40	500	2	10,157	3002591
040 CTA 600 YD	40	600	2	12,858	3002592
<hr/>					
050 CTA 050 YD	50	50	2	2,301	3002593
050 CTA 100 YD	50	100	2	2,941	3002594
050 CTA 150 YD	50	150	2	3,653	3002595
050 CTA 200 YD	50	200	2	4,436	3002596
050 CTA 250 YD	50	250	2	5,291	3002597
050 CTA 300 YD	50	300	2	6,217	3002598
050 CTA 400 YD	50	400	2	8,284	3002599
050 CTA 500 YD	50	500	2	10,534	3002600
050 CTA 600 YD	50	600	2	13,277	3002601
<hr/>					
060 CTA 100 YD	60	100	2	3,214	3002602
060 CTA 150 YD	60	150	2	3,940	3002603
060 CTA 200 YD	60	200	2	4,738	3002604
060 CTA 250 YD	60	250	2	5,607	3002605
060 CTA 300 YD	60	300	2	6,547	3002606
060 CTA 400 YD	60	400	2	8,643	3002607
060 CTA 500 YD	60	500	2	10,907	3002608
060 CTA 600 YD	60	600	2	13,693	3002609
<hr/>					
075 CTA 100 YD	75	100	2	3,590	3002610
075 CTA 150 YD	75	150	2	4,337	3002611
075 CTA 200 YD	75	200	2	5,157	3002612
075 CTA 250 YD	75	250	2	6,047	3002613
075 CTA 300 YD	75	300	2	7,013	3002614
075 CTA 400 YD	75	400	2	9,143	3002615
075 CTA 500 YD	75	500	2	11,433	3002616
075 CTA 600 YD	75	600	2	14,284	3002617
<hr/>					
100 CTA 100 YD	100	100	2	4,250	3002618
100 CTA 150 YD	100	150	2	5,034	3002619
100 CTA 200 YD	100	200	2	5,888	3002620
100 CTA 250 YD	100	250	2	6,815	3002621
100 CTA 300 YD	100	300	2	7,812	3002622
100 CTA 400 YD	100	400	2	10,023	3002623
100 CTA 500 YD	100	500	2	12,344	3002624
100 CTA 600 YD	100	600	2	15,302	3002625



H=H=040, H=050, H=060 single row perforated.
 H=075 two rows perforated.
 H=100 three rows perforated.
 H=125 four rows perforated.
 H=150 five rows perforated.

Description	H (mm)	AB (mm)	T (mm)	Weight (kg./pc.)	Order Code
125 CTA 150 YD	125	150	2	5,724	3003451
125 CTA 200 YD	125	200	2	6,724	3003452
125 CTA 250 YD	125	250	2	7,577	3003453
125 CTA 300 YD	125	300	2	8,611	3003454
125 CTA 400 YD	125	400	2	10,892	3003455
125 CTA 500 YD	125	500	2	13,250	3003456
125 CTA 600 YD	125	600	2	16,314	3003457
<hr/>					
150 CTA 200 YD	150	200	2	7,332	3003458
150 CTA 250 YD	150	250	2	8,329	3003459
150 CTA 300 YD	150	300	2	9,398	3003460
150 CTA 400 YD	150	400	2	11,751	3003461
150 CTA 500 YD	150	500	2	14,145	3003462
150 CTA 600 YD	150	600	2	17,316	3003463

■ Please indicate order code in your orders.

■ Material weights may vary by ± 10%

■ Please contact us for special size.

▶▶ **CTA HORIZONTAL RISER MODULE COVER (90°)R=117**
Hot Dip Galvanized After Fabrication (TS EN ISO 1461)

Description	AB (mm)	T (mm)	Weight (kg./pc.)	Order Code
CTA 050 YD COVER 90°	55	2	0,638	3005456
CTA 100 YD COVER 90°	105	2	1,172	3005682
CTA 150 YD COVER 90°	155	2	1,784	3005680
CTA 200 YD COVER 90°	205	2	2,487	3005678
CTA 250 YD COVER 90°	255	2	3,277	3005676
CTA 300 YD COVER 90°	305	2	4,154	3005674
CTA 400 YD COVER 90°	405	2	6,167	3005672
CTA 500 YD COVER 90°	505	2	8,527	3005670
CTA 600 YD COVER 90°	605	2	11,235	3005668

▶▶ **CTA HORIZONTAL RISER MODULE COVER (90°)R=450**
Hot Dip Galvanized After Fabrication (TS EN ISO 1461)

Description	A (mm)	T (mm)	Weight (kg./pc.)	Order Code
CTA 050 YD 90° COVER	55	2	0,521	3005040
CTA 100 YD 90° COVER	105	2	0,970	3005041
CTA 150 YD 90° COVER	155	2	1,491	3005042
CTA 200 YD 90° COVER	205	2	2,083	3005043
CTA 250 YD 90° COVER	255	2	2,746	3005044
CTA 300 YD 90° COVER	305	2	3,481	3005045
CTA 400 YD 90° COVER	405	2	5,165	3005046
CTA 500 YD 90° COVER	505	2	7,136	3005047
CTA 600 YD 90° COVER	605	2	9,392	3005048

▶▶ **CTA HORIZONTAL RISER MODULE COVER (90°)R=300**
Hot Dip Galvanized After Fabrication (TS EN ISO 1461)

Description	A (mm)	T (mm)	Weight (kg./pc.)	Order Code
CTA 050 YD 90° COVER	55	2	0,366	3005031
CTA 100 YD 90° COVER	105	2	0,708	3005032
CTA 150 YD 90° COVER	155	2	1,120	3005033
CTA 200 YD 90° COVER	205	2	1,606	3005034
CTA 250 YD 90° COVER	255	2	2,161	3005035
CTA 300 YD 90° COVER	305	2	2,789	3005036
CTA 400 YD 90° COVER	405	2	4,259	3005037
CTA 500 YD 90° COVER	505	2	6,015	3005038
CTA 600 YD 90° COVER	605	2	8,057	3005039

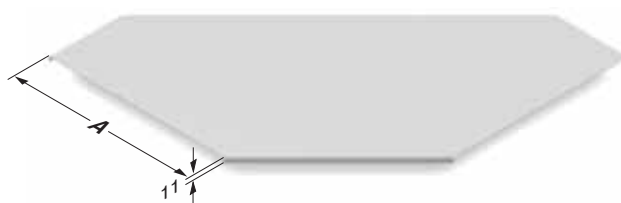
▶▶ **CTA HORIZONTAL RISER MODULE COVER (90°)R=600**
Hot Dip Galvanized After Fabrication (TS EN ISO 1461)

Description	A (mm)	T (mm)	Weight (kg./pc.)	Order Code
CTA 050 YD 90° COVER	55	2	0,677	3005049
CTA 100 YD 90° COVER	105	2	1,233	3005050
CTA 150 YD 90° COVER	155	2	1,861	3005051
CTA 200 YD 90° COVER	205	2	2,560	3005052
CTA 250 YD 90° COVER	255	2	3,330	3005053
CTA 300 YD 90° COVER	305	2	4,173	3005054
CTA 400 YD 90° COVER	405	2	6,072	3005055
CTA 500 YD 90° COVER	505	2	8,257	3005056
CTA 600 YD 90° COVER	605	2	10,729	3005057

YD 90° **R=117**



YD 90° **R=300 / R=450 / R=600**



■ Please indicate order code in your orders.

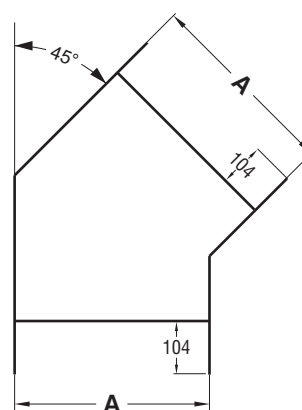
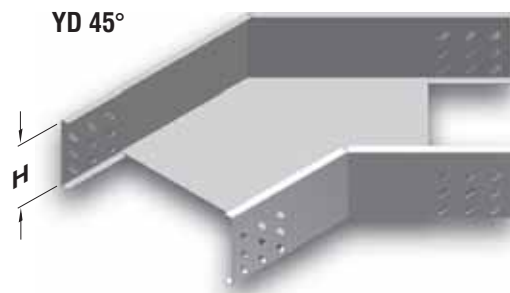
■ Material weights may vary by ± 10%

■ Please contact us for special size.

▶▶ CTA HORIZONTAL ELBOW MODULE (45°)

Hot Dip Galvanized After Fabrication (TS EN ISO 1461)

Description	H (mm)	A (mm)	T (mm)	Weight (kg./pc.)	Order Code
040 CTA 050 YD 45°	40	50	2	0,994	3001808
040 CTA 100 YD 45°	40	100	2	1,288	3001809
040 CTA 150 YD 45°	40	150	2	1,590	3001810
040 CTA 200 YD 45°	40	200	2	1,946	3001811
040 CTA 250 YD 45°	40	250	2	2,334	3001812
040 CTA 300 YD 45°	40	300	2	2,764	3001813
040 CTA 400 YD 45°	40	400	2	3,721	3001814
040 CTA 500 YD 45°	40	500	2	4,821	3001815
040 CTA 600 YD 45°	40	600	2	6,066	3001816
050 CTA 050 YD 45°	50	50	2	1,140	3001817
050 CTA 100 YD 45°	50	100	2	1,441	3001818
050 CTA 150 YD 45°	50	150	2	1,750	3001819
050 CTA 200 YD 45°	50	200	2	2,113	3001820
050 CTA 250 YD 45°	50	250	2	2,508	3001821
050 CTA 300 YD 45°	50	300	2	2,946	3001822
050 CTA 400 YD 45°	50	400	2	3,918	3001823
050 CTA 500 YD 45°	50	500	2	5,031	3001824
050 CTA 600 YD 45°	50	600	2	6,291	3001825
060 CTA 100 YD 45°	60	100	2	1,594	3001826
060 CTA 150 YD 45°	60	150	2	1,910	3001827
060 CTA 200 YD 45°	60	200	2	2,281	3001828
060 CTA 250 YD 45°	60	250	2	2,683	3001829
060 CTA 300 YD 45°	60	300	2	3,128	3001830
060 CTA 400 YD 45°	60	400	2	4,114	3001831
060 CTA 500 YD 45°	60	500	2	5,242	3001832
060 CTA 600 YD 45°	60	600	2	6,515	3001833
075 CTA 100 YD 45°	75	100	2	1,823	3001834
075 CTA 150 YD 45°	75	150	2	2,149	3001835
075 CTA 200 YD 45°	75	200	2	2,532	3001836
075 CTA 250 YD 45°	75	250	2	2,944	3001837
075 CTA 300 YD 45°	75	300	2	3,402	3001838
075 CTA 400 YD 45°	75	400	2	4,409	3001839
075 CTA 500 YD 45°	75	500	2	5,557	3001840
075 CTA 600 YD 45°	75	600	2	6,852	3001841
100 CTA 100 YD 45°	100	100	2	2,205	3001842
100 CTA 150 YD 45°	100	150	2	2,548	3001843
100 CTA 200 YD 45°	100	200	2	2,950	3001844
100 CTA 250 YD 45°	100	250	2	3,380	3001845
100 CTA 300 YD 45°	100	300	2	3,857	3001846
100 CTA 400 YD 45°	100	400	2	4,900	3001847
100 CTA 500 YD 45°	100	500	2	6,083	3001848
100 CTA 600 YD 45°	100	600	2	7,414	3001849



H=040, H=050, H=060 single row perforated.
 H=075 two rows perforated.
 H=100 three rows perforated.
 H=125 four rows perforated.
 H=150 five rows perforated.

Description	H (mm)	A (mm)	T (mm)	Weight (kg./pc.)	Order Code
125 CTA 150 YD 45°	125	150	2	2,831	3003360
125 CTA 200 YD 45°	125	200	2	3,277	3003361
125 CTA 250 YD 45°	125	250	2	3,761	3003362
125 CTA 300 YD 45°	125	300	2	4,296	3003363
125 CTA 400 YD 45°	125	400	2	5,464	3003364
125 CTA 500 YD 45°	125	500	2	6,790	3003365
125 CTA 600 YD 45°	125	600	2	8,265	3003366
150 CTA 200 YD 45°	150	200	2	3,625	3003367
150 CTA 250 YD 45°	150	250	2	4,166	3003368
150 CTA 300 YD 45°	150	300	2	4,762	3003369
150 CTA 400 YD 45°	150	400	2	6,062	3003370
150 CTA 500 YD 45°	150	500	2	7,534	3003371
150 CTA 600 YD 45°	150	600	2	9,169	3003372

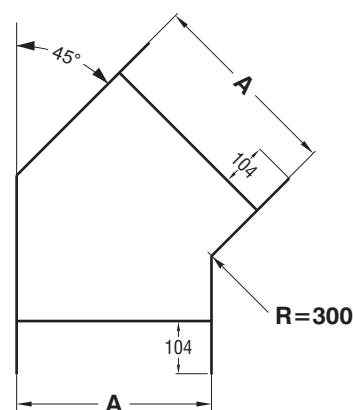
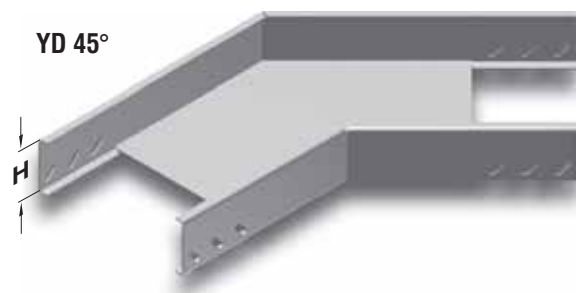
■ Please indicate order code in your orders.

■ Material weights may vary by ± 10%

■ Please contact us for special size.

▶▶ CTA HORIZONTAL ELBOW MODULE (45°) R=300 Hot Dip Galvanized After Fabrication (TS EN ISO 1461)

Description	H (mm)	A (mm)	T (mm)	Weight (kg./pc.)	Order Code
040 CTA 050 YD 45°	40	50	2	1,229	3006965
040 CTA 100 YD 45°	40	100	2	1,542	3006966
040 CTA 150 YD 45°	40	150	2	1,891	3006967
040 CTA 200 YD 45°	40	200	2	2,275	3006968
040 CTA 250 YD 45°	40	250	2	2,695	3006969
040 CTA 300 YD 45°	40	300	2	3,152	3006970
040 CTA 400 YD 45°	40	400	2	4,170	3006971
040 CTA 500 YD 45°	40	500	2	5,449	3006972
040 CTA 600 YD 45°	40	600	2	6,639	3006973
050 CTA 050 YD 45°	50	50	2	1,394	3006974
050 CTA 100 YD 45°	50	100	2	1,714	3006975
050 CTA 150 YD 45°	50	150	2	2,070	3006976
050 CTA 200 YD 45°	50	200	2	2,462	3006977
050 CTA 250 YD 45°	50	250	2	2,889	3006978
050 CTA 300 YD 45°	50	300	2	3,352	3006979
050 CTA 400 YD 45°	50	400	2	4,386	3006980
050 CTA 500 YD 45°	50	500	2	5,578	3006981
050 CTA 600 YD 45°	50	600	2	6,882	3006982
060 CTA 100 YD 45°	60	100	2	1,957	3006983
060 CTA 150 YD 45°	60	150	2	2,094	3006984
060 CTA 200 YD 45°	60	200	2	2,494	3006985
060 CTA 250 YD 45°	60	250	2	2,928	3006986
060 CTA 300 YD 45°	60	300	2	3,398	3006987
060 CTA 400 YD 45°	60	400	2	4,446	3006988
060 CTA 500 YD 45°	60	500	2	5,654	3006989
060 CTA 600 YD 45°	60	600	2	6,971	3006990
075 CTA 100 YD 45°	75	100	2	2,126	3006991
075 CTA 150 YD 45°	75	150	2	2,500	3006992
075 CTA 200 YD 45°	75	200	2	2,910	3006993
075 CTA 250 YD 45°	75	250	2	3,355	3006994
075 CTA 300 YD 45°	75	300	2	3,836	3006995
075 CTA 400 YD 45°	75	400	2	4,906	3006996
075 CTA 500 YD 45°	75	500	2	6,45	3006997
075 CTA 600 YD 45°	75	600	2	7,473	3006998
100 CTA 100 YD 45°	100	100	2	2,545	3006999
100 CTA 150 YD 45°	100	150	2	2,937	3007000
100 CTA 200 YD 45°	100	200	2	3,828	3007001
100 CTA 250 YD 45°	100	250	2	4,326	3007002
100 CTA 300 YD 45°	100	300	2	4,552	3007003
100 CTA 400 YD 45°	100	400	2	5,432	3007004
100 CTA 500 YD 45°	100	500	2	6,697	3007005
100 CTA 600 YD 45°	100	600	2	8,071	3007006



H=040, H=050, H=060 single row perforated.
H=075 two rows perforated.
H=100 three rows perforated.
H=125 four rows perforated.
H=150 five rows perforated.

Description	H (mm)	A (mm)	T (mm)	Weight (kg./pc.)	Order Code
125 CTA 150 YD 45°	125	150	2	3,357	3003373
125 CTA 200 YD 45°	125	200	2	3,802	3003374
125 CTA 250 YD 45°	125	250	2	4,283	3003375
125 CTA 300 YD 45°	125	300	2	4,799	3003376
125 CTA 400 YD 45°	125	400	2	5,941	3003377
125 CTA 500 YD 45°	125	500	2	7,225	3003378
125 CTA 600 YD 45°	125	600	2	8,652	3003379
150 CTA 200 YD 45°	150	200	2	4,268	3003380
150 CTA 250 YD 45°	150	250	2	4,767	3003381
150 CTA 300 YD 45°	150	300	2	5,303	3003382
150 CTA 400 YD 45°	150	400	2	6,479	3003383
150 CTA 500 YD 45°	150	500	2	7,798	3003384
150 CTA 600 YD 45°	150	600	2	9,261	3003385

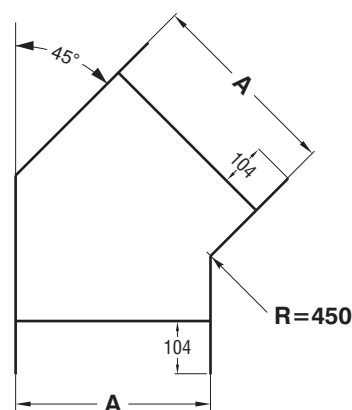
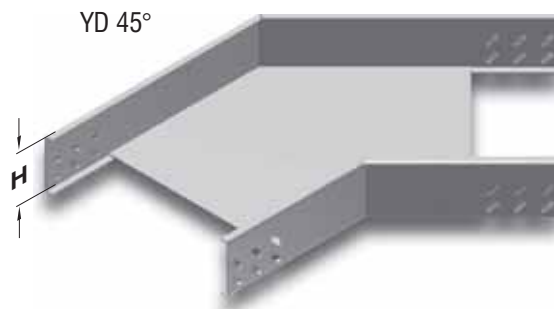
■ Please indicate order code in your orders.

■ Material weights may vary by ± 10%

■ Please contact us for special size.

▶▶ CTA HORIZONTAL ELBOW MODULE (45°) R=450 Hot Dip Galvanized After Fabrication (TS EN ISO 1461)

Description	H (mm)	A (mm)	T (mm)	Weight (kg./pc.)	Order Code
040 CTA 050 YD 45°	40	50	2	1,400	3007007
040 CTA 100 YD 45°	40	100	2	1,685	3007008
040 CTA 150 YD 45°	40	150	2	2,481	3007009
040 CTA 200 YD 45°	40	200	2	2,972	3007010
040 CTA 250 YD 45°	40	250	2	3,499	3007011
040 CTA 300 YD 45°	40	300	2	4,063	3007012
040 CTA 400 YD 45°	40	400	2	5,297	3007013
040 CTA 500 YD 45°	40	500	2	6,674	3007014
040 CTA 600 YD 45°	40	600	2	8,194	3007015
050 CTA 050 YD 45°	50	50	2	1,470	3007016
050 CTA 100 YD 45°	50	100	2	1,895	3007017
050 CTA 150 YD 45°	50	150	2	2,538	3007018
050 CTA 200 YD 45°	50	200	2	3,036	3007019
050 CTA 250 YD 45°	50	250	2	3,571	3007020
050 CTA 300 YD 45°	50	300	2	4,142	3007021
050 CTA 400 YD 45°	50	400	2	5,389	3007022
050 CTA 500 YD 45°	50	500	2	6,780	3007023
050 CTA 600 YD 45°	50	600	2	8,315	3007024
060 CTA 100 YD 45°	60	100	2	1,862	3007025
060 CTA 150 YD 45°	60	150	2	2,729	3007026
060 CTA 200 YD 45°	60	200	2	3,235	3007027
060 CTA 250 YD 45°	60	250	2	3,776	3007028
060 CTA 300 YD 45°	60	300	2	4,355	3007029
060 CTA 400 YD 45°	60	400	2	5,617	3007030
060 CTA 500 YD 45°	60	500	2	7,022	3007031
060 CTA 600 YD 45°	60	600	2	8,571	3007032
075 CTA 100 YD 45°	75	100	2	2,355	3007033
075 CTA 150 YD 45°	75	150	2	3,014	3007034
075 CTA 200 YD 45°	75	200	2	3,531	3007035
075 CTA 250 YD 45°	75	250	2	4,084	3007036
075 CTA 300 YD 45°	75	300	2	4,672	3007037
075 CTA 400 YD 45°	75	400	2	5,957	3007038
075 CTA 500 YD 45°	75	500	2	7,383	3007039
075 CTA 600 YD 45°	75	600	2	8,953	3007040
100 CTA 100 YD 45°	100	100	2	3,106	3007041
100 CTA 150 YD 45°	100	150	2	3,785	3007042
100 CTA 200 YD 45°	100	200	2	4,320	3007043
100 CTA 250 YD 45°	100	250	2	4,498	3007044
100 CTA 300 YD 45°	100	300	2	5,496	3007045
100 CTA 400 YD 45°	100	400	2	6,816	3007046
100 CTA 500 YD 45°	100	500	2	8,279	3007047
100 CTA 600 YD 45°	100	600	2	9,885	3007048



H=040, H=050, H=060 single row perforated.
H=075 two rows perforated.
H=100 three rows perforated.
H=125 four rows perforated.
H=150 five rows perforated.

Description	H (mm)	A (mm)	T (mm)	Weight (kg./pc.)	Order Code
125 CTA 150 YD 45°	125	150	2	4,311	3003386
125 CTA 200 YD 45°	125	200	2	4,864	3003387
125 CTA 250 YD 45°	125	250	2	5,453	3003388
125 CTA 300 YD 45°	125	300	2	6,076	3003389
125 CTA 400 YD 45°	125	400	2	7,432	3003390
125 CTA 500 YD 45°	125	500	2	8,931	3003391
125 CTA 600 YD 45°	125	600	2	10,572	3003392
150 CTA 200 YD 45°	150	200	2	5,437	3003393
150 CTA 250 YD 45°	150	250	2	6,043	3003394
150 CTA 300 YD 45°	150	300	2	6,686	3003395
150 CTA 400 YD 45°	150	400	2	8,077	3003396
150 CTA 500 YD 45°	150	500	2	9,612	3003397
150 CTA 600 YD 45°	150	600	2	11,288	3003398

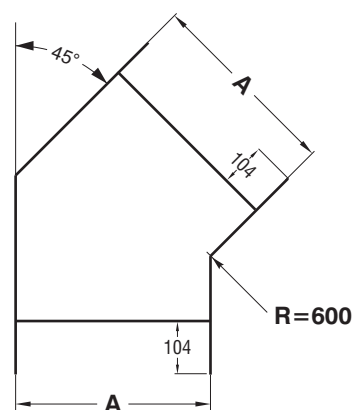
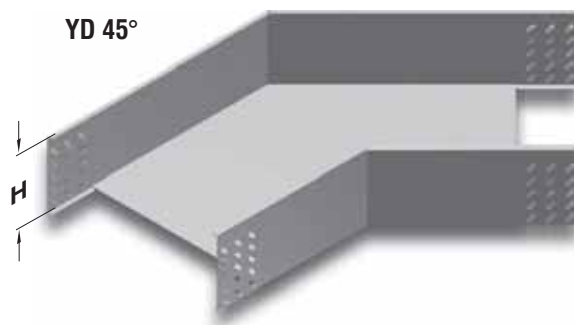
■ Please indicate order code in your orders.

■ Material weights may vary by ± 10%

■ Please contact us for special size.

▶▶ CTA HORIZONTAL ELBOW MODULE (45°) R=600 Hot Dip Galvanized After Fabrication (TS EN ISO 1461)

Description	H (mm)	A (mm)	T (mm)	Weight (kg./pc.)	Order Code
040 CTA 050 YD 45°	40	50	2	1,979	3007049
040 CTA 100 YD 45°	40	100	2	2,428	3007050
040 CTA 150 YD 45°	40	150	2	3,071	3007051
040 CTA 200 YD 45°	40	200	2	3,669	3007052
040 CTA 250 YD 45°	40	250	2	4,303	3007053
040 CTA 300 YD 45°	40	300	2	4,974	3007054
040 CTA 400 YD 45°	40	400	2	6,424	3007055
040 CTA 500 YD 45°	40	500	2	7,899	3007056
040 CTA 600 YD 45°	40	600	2	9,749	3007057
050 CTA 050 YD 45°	50	50	2	2,229	3007058
050 CTA 100 YD 45°	50	100	2	2,764	3007059
050 CTA 150 YD 45°	50	150	2	3,335	3007060
050 CTA 200 YD 45°	50	200	2	3,941	3007061
050 CTA 250 YD 45°	50	250	2	4,583	3007062
050 CTA 300 YD 45°	50	300	2	5,261	3007063
050 CTA 400 YD 45°	50	400	2	6,724	3007064
050 CTA 500 YD 45°	50	500	2	8,330	3007065
050 CTA 600 YD 45°	50	600	2	10,078	3007066
060 CTA 100 YD 45°	60	100	2	3,022	3007067
060 CTA 150 YD 45°	60	150	2	3,600	3007068
060 CTA 200 YD 45°	60	200	2	4,214	3007069
060 CTA 250 YD 45°	60	250	2	4,863	3007070
060 CTA 300 YD 45°	60	300	2	5,547	3007071
060 CTA 400 YD 45°	60	400	2	7,024	3007072
060 CTA 500 YD 45°	60	500	2	8,644	3007073
060 CTA 600 YD 45°	60	600	2	10,408	3007074
075 CTA 100 YD 45°	75	100	2	3,385	3007075
075 CTA 150 YD 45°	75	150	2	3,974	3007076
075 CTA 200 YD 45°	75	200	2	4,598	3007077
075 CTA 250 YD 45°	75	250	2	5,258	3007078
075 CTA 300 YD 45°	75	300	2	5,954	3007079
075 CTA 400 YD 45°	75	400	2	7,452	3007080
075 CTA 500 YD 45°	75	500	2	9,093	3007081
075 CTA 600 YD 45°	75	600	2	10,879	3007082
100 CTA 100 YD 45°	100	100	2	4,004	3007083
100 CTA 150 YD 45°	100	150	2	4,610	3007084
100 CTA 200 YD 45°	100	200	2	5,252	3007085
100 CTA 250 YD 45°	100	250	2	5,930	3007086
100 CTA 300 YD 45°	100	300	2	6,644	3007087
100 CTA 400 YD 45°	100	400	2	8,178	3007088
100 CTA 500 YD 45°	100	500	2	9,854	3007089
100 CTA 600 YD 45°	100	600	2	11,675	3007090



H=040, H=050, H=060 single row perforated.
H=075 two rows perforated.
H=100 three rows perforated.
H=125 four rows perforated.
H=150 five rows perforated.

Description	H (mm)	A (mm)	T (mm)	Weight (kg./pc.)	Order Code
125 CTA 150 YD 45°	125	150	2	5,266	3003399
125 CTA 200 YD 45°	125	200	2	5,926	3003400
125 CTA 250 YD 45°	125	250	2	6,622	3003401
125 CTA 300 YD 45°	125	300	2	7,352	3003402
125 CTA 400 YD 45°	125	400	2	8,923	3003403
125 CTA 500 YD 45°	125	500	2	10,636	3003404
125 CTA 600 YD 45°	125	600	2	12,493	3003405
150 CTA 200 YD 45°	150	200	2	6,607	3003406
150 CTA 250 YD 45°	150	250	2	7,321	3003407
150 CTA 300 YD 45°	150	300	2	8,070	3003408
150 CTA 400 YD 45°	150	400	2	9,676	3003409
150 CTA 500 YD 45°	150	500	2	11,425	3003410
150 CTA 600 YD 45°	150	600	2	13,317	3003411

■ Please indicate order code in your orders.

■ Material weights may vary by ± 10%

■ Please contact us for special size.

▶▶ **CTA HORIZONTAL ELBOW MODULE COVER (45°) R=117**
Hot Dip Galvanized After Fabrication (TS EN ISO 1461)

Description	A (mm)	T (mm)	Weight (kg./pc)	Order Code
CTA 050 YD COVER 45°	55	2	0,550	3001935
CTA 100 YD COVER 45°	105	2	0,908	3001936
CTA 150 YD COVER 45°	155	2	1,417	3001937
CTA 200 YD COVER 45°	205	2	1,662	3001938
CTA 250 YD COVER 45°	255	2	2,415	3001939
CTA 300 YD COVER 45°	305	2	2,627	3001940
CTA 400 YD COVER 45°	405	2	3,723	3001941
CTA 500 YD COVER 45°	505	2	4,949	3001942
CTA 600 YD COVER 45°	605	2	6,305	3001943

▶▶ **CTA HORIZONTAL ELBOW MODULE COVER (45°) R=450**
Hot Dip Galvanized After Fabrication (TS EN ISO 1461)

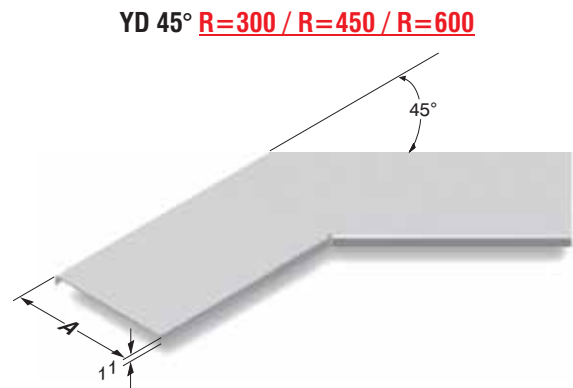
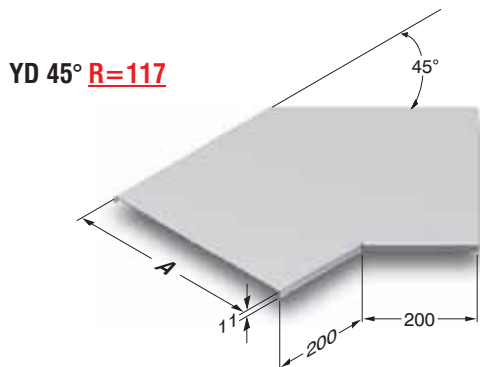
Description	A (mm)	T (mm)	Weight (kg./pc)	Order Code
CTA 050 YD COVER 45°	55	2	0,494	3005013
CTA 100 YD COVER 45°	105	2	0,879	3005014
CTA 150 YD COVER 45°	155	2	1,300	3005015
CTA 200 YD COVER 45°	205	2	1,757	3005016
CTA 250 YD COVER 45°	255	2	2,250	3005017
CTA 300 YD COVER 45°	305	2	2,778	3005018
CTA 400 YD COVER 45°	405	2	3,942	3005019
CTA 500 YD COVER 45°	505	2	5,249	3005020
CTA 600 YD COVER 45°	605	2	6,700	3005021

▶▶ **CTA HORIZONTAL ELBOW MODULE COVER (45°) R=300**
Hot Dip Galvanized After Fabrication (TS EN ISO 1461)

Description	A (mm)	T (mm)	Weight (kg./pc)	Order Code
CTA 050 YD COVER 45°	55	2	0,338	3005004
CTA 100 YD COVER 45°	105	2	0,623	3005005
CTA 150 YD COVER 45°	155	2	0,930	3005006
CTA 200 YD COVER 45°	205	2	1,279	3005007
CTA 250 YD COVER 45°	255	2	1,665	3005008
CTA 300 YD COVER 45°	305	2	2,086	3005009
CTA 400 YD COVER 45°	405	2	3,036	3005010
CTA 500 YD COVER 45°	505	2	4,128	3005011
CTA 600 YD COVER 45°	605	2	5,364	3005012

▶▶ **CTA HORIZONTAL ELBOW MODULE COVER (45°) R=600**
Hot Dip Galvanized After Fabrication (TS EN ISO 1461)

Description	A (mm)	T (mm)	Weight (kg./pc)	Order Code
CTA 050 YD COVER 45°	55	2	0,649	3005022
CTA 100 YD COVER 45°	105	2	1,142	3005023
CTA 150 YD COVER 45°	155	2	1,670	3005024
CTA 200 YD COVER 45°	205	2	2,234	3005025
CTA 250 YD COVER 45°	255	2	2,835	3005026
CTA 300 YD COVER 45°	305	2	3,469	3005027
CTA 400 YD COVER 45°	405	2	4,849	3005028
CTA 500 YD COVER 45°	505	2	6,370	3005029
CTA 600 YD COVER 45°	605	2	8,035	3005030



■ Please indicate order code in your orders.

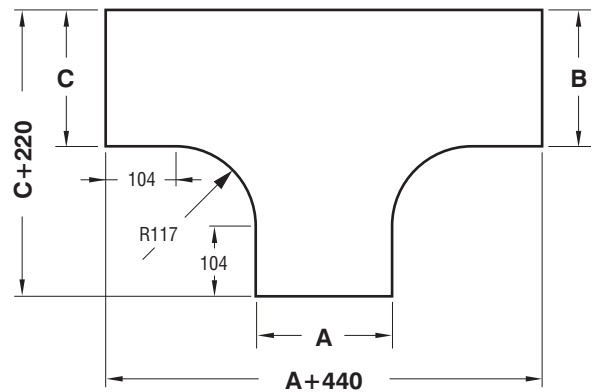
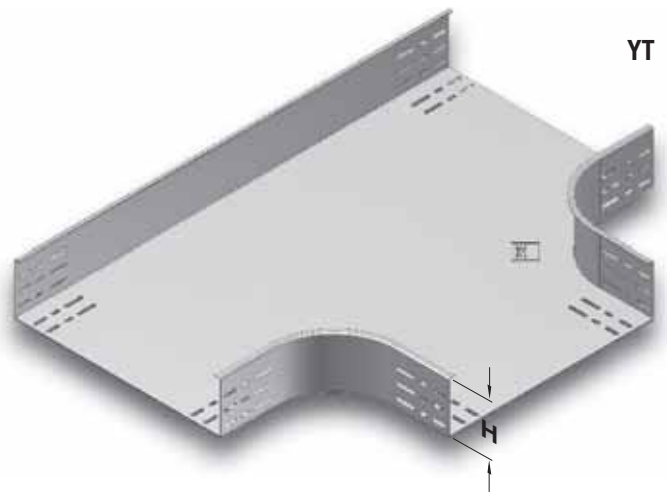
■ Material weights may vary by ± 10%

■ Please contact us for special size.

▶▶ CTA "T" MODULE

Hot Dip Galvanized After Fabrication (TS EN ISO 1461)

Description	H (mm)	ABC (mm)	T (mm)	Weight (kg./pc)	Order Code
040 CTA 050 YT	40	50	2	1,771	3005744
040 CTA 100 YT	40	100	2	2,493	3006331
040 CTA 150 YT	40	150	2	3,268	3006329
040 CTA 200 YT	40	200	2	4,180	3006327
040 CTA 250 YT	40	250	2	5,178	3006321
040 CTA 300 YT	40	300	2	6,263	3006319
040 CTA 400 YT	40	400	2	8,692	3006317
040 CTA 500 YT	40	500	2	11,467	3006315
040 CTA 600 YT	40	600	2	14,587	3006313
<hr/>					
050 CTA 050 YT	50	50	2	1,991	3001182
050 CTA 100 YT	50	100	2	2,713	3007760
050 CTA 150 YT	50	150	2	3,488	3007146
050 CTA 200 YT	50	200	2	4,400	3007758
050 CTA 250 YT	50	250	2	5,398	3007144
050 CTA 300 YT	50	300	2	6,483	3007756
050 CTA 400 YT	50	400	2	8,912	3007754
050 CTA 500 YT	50	500	2	11,687	3007752
050 CTA 600 YT	50	600	2	14,807	3007750
<hr/>					
060 CTA 100 YT	60	100	2	2,933	3006311
060 CTA 150 YT	60	150	2	3,708	3006309
060 CTA 200 YT	60	200	2	4,620	3006307
060 CTA 250 YT	60	250	2	5,618	3006305
060 CTA 300 YT	60	300	2	6,703	3006303
060 CTA 400 YT	60	400	2	9,132	3006301
060 CTA 500 YT	60	500	2	11,907	3006299
060 CTA 600 YT	60	600	2	15,027	3006297
<hr/>					
075 CTA 100 YT	75	100	2	3,343	3007142
075 CTA 150 YT	75	150	2	4,118	3007140
075 CTA 200 YT	75	200	2	5,030	3007748
075 CTA 250 YT	75	250	2	6,028	3007138
075 CTA 300 YT	75	300	2	7,113	3007746
075 CTA 400 YT	75	400	2	9,542	3007744
075 CTA 500 YT	75	500	2	12,317	3007742
075 CTA 600 YT	75	600	2	15,437	3007740
<hr/>					
100 CTA 100 YT	100	100	2	3,755	3001183
100 CTA 150 YT	100	150	2	4,633	3007136
100 CTA 200 YT	100	200	2	5,596	3007738
100 CTA 250 YT	100	250	2	7,144	3007134
100 CTA 300 YT	100	300	2	8,324	3007736
100 CTA 400 YT	100	400	2	10,943	3007734
100 CTA 500 YT	100	500	2	13,908	3007732
100 CTA 600 YT	100	600	2	15,652	3007730



H=040, H=050, H=060 single row perforated.
 H=075 two rows perforated.
 H=100 three rows perforated.
 H=125 four rows perforated.
 H=150 five rows perforated.

Description	H (mm)	ABC (mm)	T (mm)	Weight (kg./pc)	Order Code
125 CTA 150 YT	125	150	2	4,272	3003464
125 CTA 200 YT	125	200	2	6,106	3003465
125 CTA 250 YT	125	250	2	7,179	3003466
125 CTA 300 YT	125	300	2	8,337	3003467
125 CTA 400 YT	125	400	2	10,912	3003468
125 CTA 500 YT	125	500	2	13,834	3003469
125 CTA 600 YT	125	600	2	17,100	3003470
<hr/>					
150 CTA 200 YT	150	200	2	6,666	3003471
150 CTA 250 YT	150	250	2	7,761	3003472
150 CTA 300 YT	150	300	2	8,940	3003473
150 CTA 400 YT	150	400	2	11,559	3003474
150 CTA 500 YT	150	500	2	14,523	3003475
150 CTA 600 YT	150	600	2	17,833	3003476

■ Please indicate order code in your orders.

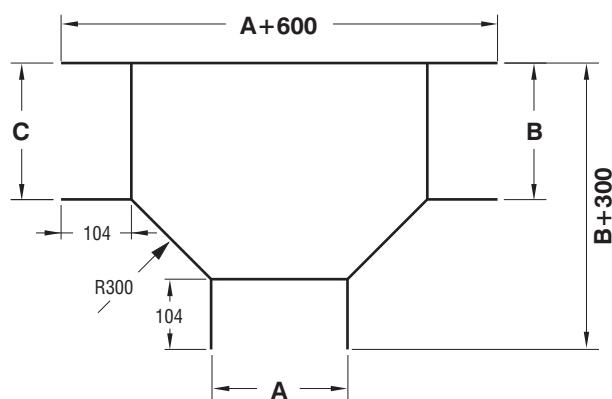
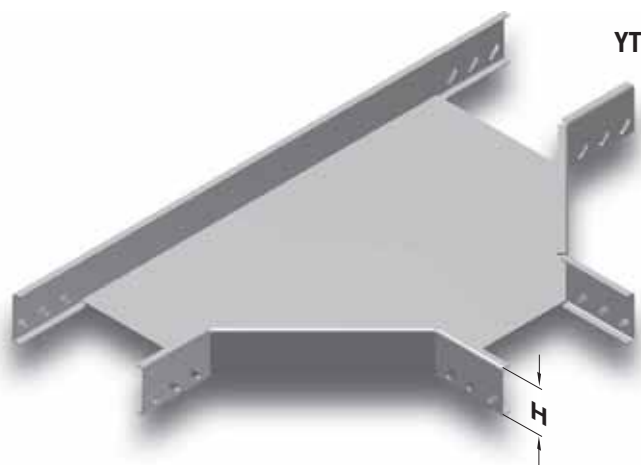
■ Material weights may vary by ± 10%

■ Please contact us for special size.

►► CTA "T" MODULE $R=300$

Hot Dip Galvanized After Fabrication (TS EN ISO 1461)

Description	H (mm)	ABC (mm)	T (mm)	Weight (kg./pc)	Order Code
040 CTA 050 YT	40	50	2	2,366	3002626
040 CTA 100 YT	40	100	2	2,859	3002627
040 CTA 150 YT	40	150	2	3,988	3002628
040 CTA 200 YT	40	200	2	4,799	3002629
040 CTA 250 YT	40	250	2	5,697	3002630
040 CTA 300 YT	40	300	2	6,681	3002631
040 CTA 400 YT	40	400	2	8,908	3002632
040 CTA 500 YT	40	500	2	11,481	3002633
040 CTA 600 YT	40	600	2	14,399	3002634
050 CTA 050 YT	50	50	2	2,629	3002635
050 CTA 100 YT	50	100	2	3,130	3002636
050 CTA 150 YT	50	150	2	3,168	3002637
050 CTA 200 YT	50	200	2	5,088	3002638
050 CTA 250 YT	50	250	2	5,994	3002639
050 CTA 300 YT	50	300	2	6,986	3002640
050 CTA 400 YT	50	400	2	9,231	3002641
050 CTA 500 YT	50	500	2	11,821	3002642
050 CTA 600 YT	50	600	2	14,757	3002643
060 CTA 100 YT	60	100	2	3,400	3002644
060 CTA 150 YT	60	150	2	4,547	3002645
060 CTA 200 YT	60	200	2	5,376	3002646
060 CTA 250 YT	60	250	2	6,291	3002647
060 CTA 300 YT	60	300	2	7,292	3002648
060 CTA 400 YT	60	400	2	9,554	3002649
060 CTA 500 YT	60	500	2	12,161	3002650
060 CTA 600 YT	60	600	2	15,113	3002651
075 CTA 100 YT	75	100	2	3,766	3002652
075 CTA 150 YT	75	150	2	4,926	3002653
075 CTA 200 YT	75	200	2	5,767	3002654
075 CTA 250 YT	75	250	2	6,696	3002655
075 CTA 300 YT	75	300	2	7,710	3002656
075 CTA 400 YT	75	400	2	9,998	3002657
075 CTA 500 YT	75	500	2	12,630	3002658
075 CTA 600 YT	75	600	2	15,609	3002659
100 CTA 100 YT	100	100	2	4,500	3002660
100 CTA 150 YT	100	150	2	5,585	3002661
100 CTA 200 YT	100	200	2	6,600	3002662
100 CTA 250 YT	100	250	2	7,398	3002663
100 CTA 300 YT	100	300	2	8,434	3002664
100 CTA 400 YT	100	400	2	10,765	3002665
100 CTA 500 YT	100	500	2	13,440	3002666
100 CTA 600 YT	100	600	2	16,462	3002667



H=040, H=050, H=060 single row perforated.
 H=075 two rows perforated.
 H=100 three rows perforated.
 H=125 four rows perforated.
 H=150 five rows perforated.

Description	H (mm)	ABC (mm)	T (mm)	Weight (kg./pc)	Order Code
125 CTA 150 YT	125	150	2	6,582	3003477
125 CTA 200 YT	125	200	2	7,467	3003478
125 CTA 250 YT	125	250	2	8,438	3003479
125 CTA 300 YT	125	300	2	9,495	3003480
125 CTA 400 YT	125	400	2	11,870	3003481
125 CTA 500 YT	125	500	2	14,589	3003482
125 CTA 600 YT	125	600	2	17,654	3003483
150 CTA 200 YT	150	200	2	8,240	3003484
150 CTA 250 YT	150	250	2	9,232	3003485
150 CTA 300 YT	150	300	2	10,311	3003486
150 CTA 400 YT	150	400	2	12,729	3003487
150 CTA 500 YT	150	500	2	15,491	3003488
150 CTA 600 YT	150	600	2	18,600	3003489

■ Please indicate order code in your orders.

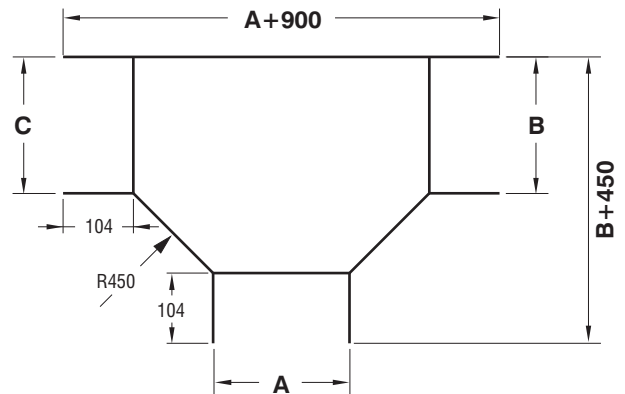
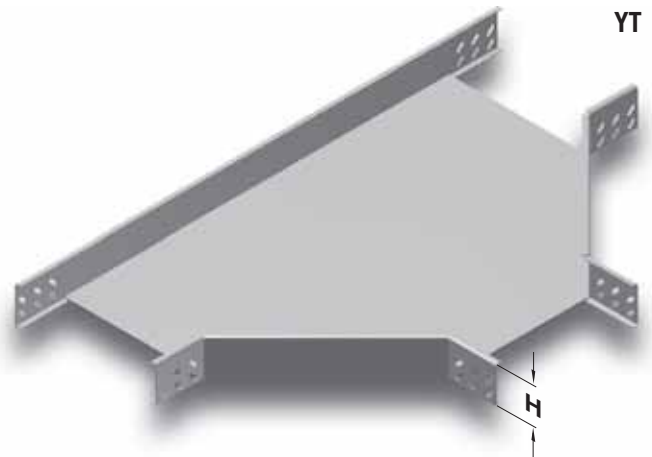
■ Material weights may vary by $\pm 10\%$

■ Please contact us for special size.

►► CTA "T" MODULE R=450

Hot Dip Galvanized After Fabrication (TS EN ISO 1461)

Description	H (mm)	ABC (mm)	T (mm)	Weight (kg./pc)	Order Code
040 CTA 050 YT	40	50	2	3,664	3002668
040 CTA 100 YT	40	100	2	5,013	3002669
040 CTA 150 YT	40	150	2	5,965	3002670
040 CTA 200 YT	40	200	2	7,004	3002671
040 CTA 250 YT	40	250	2	8,129	3002672
040 CTA 300 YT	40	300	2	9,341	3002673
040 CTA 400 YT	40	400	2	12,024	3002674
040 CTA 500 YT	40	500	2	15,051	3002675
040 CTA 600 YT	40	600	2	17,185	3002676
050 CTA 050 YT	50	50	2	4,015	3002677
050 CTA 100 YT	50	100	2	4,694	3002678
050 CTA 150 YT	50	150	2	6,339	3002679
050 CTA 200 YT	50	200	2	7,387	3002680
050 CTA 250 YT	50	250	2	8,521	3002681
050 CTA 300 YT	50	300	2	9,742	3002682
050 CTA 400 YT	50	400	2	12,474	3002683
050 CTA 500 YT	50	500	2	15,442	3002684
050 CTA 600 YT	50	600	2	17,708	3002685
060 CTA 100 YT	60	100	2	5,646	3002686
060 CTA 150 YT	60	150	2	7,191	3002687
060 CTA 200 YT	60	200	2	8,248	3002688
060 CTA 250 YT	60	250	2	9,390	3002689
060 CTA 300 YT	60	300	2	10,619	3002690
060 CTA 400 YT	60	400	2	13,336	3002691
060 CTA 500 YT	60	500	2	16,399	3002692
060 CTA 600 YT	60	600	2	18,810	3002693
075 CTA 100 YT	75	100	2	7,810	3002694
075 CTA 150 YT	75	150	2	9,160	3002695
075 CTA 200 YT	75	200	2	10,330	3002696
075 CTA 250 YT	75	250	2	11,586	3002697
075 CTA 300 YT	75	300	2	12,443	3002698
075 CTA 400 YT	75	400	2	15,997	3002699
075 CTA 500 YT	75	500	2	17,950	3002700
075 CTA 600 YT	75	600	2	20,633	3002701
100 CTA 100 YT	100	100	2	9,033	3002702
100 CTA 150 YT	100	150	2	10,753	3002703
100 CTA 200 YT	100	200	2	12,101	3002704
100 CTA 250 YT	100	250	2	13,720	3002705
100 CTA 300 YT	100	300	2	14,863	3002706
100 CTA 400 YT	100	400	2	18,464	3002707
100 CTA 500 YT	100	500	2	19,184	3002708
100 CTA 600 YT	100	600	2	21,687	3002709



H=040, H=050, H=060 single row perforated.
 H=075 two rows perforated.
 H=100 three rows perforated.
 H=125 four rows perforated.
 H=150 five rows perforated.

Description	H (mm)	ABC (mm)	T (mm)	Weight (kg./pc)	Order Code
125 CTA 150 YT	125	150	2	9,962	3003490
125 CTA 200 YT	125	200	2	11,074	3003491
125 CTA 250 YT	125	250	2	12,273	3003492
125 CTA 300 YT	125	300	2	13,558	3003493
125 CTA 400 YT	125	400	2	16,387	3003494
125 CTA 500 YT	125	500	2	19,561	3003495
125 CTA 600 YT	125	600	2	23,081	3003496
150 CTA 200 YT	150	200	2	12,190	3003497
150 CTA 250 YT	150	250	2	13,411	3003498
150 CTA 300 YT	150	300	2	14,718	3003499
150 CTA 400 YT	150	400	2	17,590	3003500
150 CTA 500 YT	150	500	2	20,808	3003501
150 CTA 600 YT	150	600	2	24,372	3003502

■ Please indicate order code in your orders.

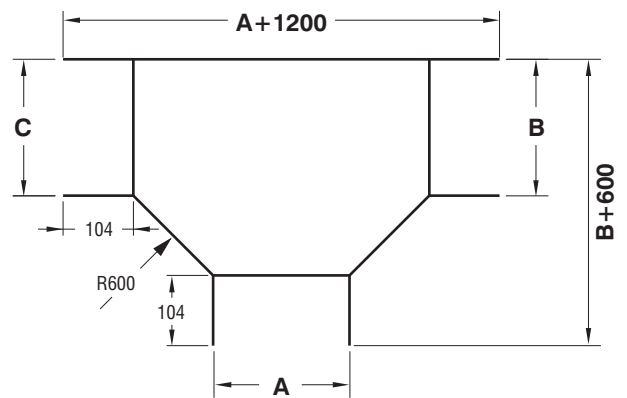
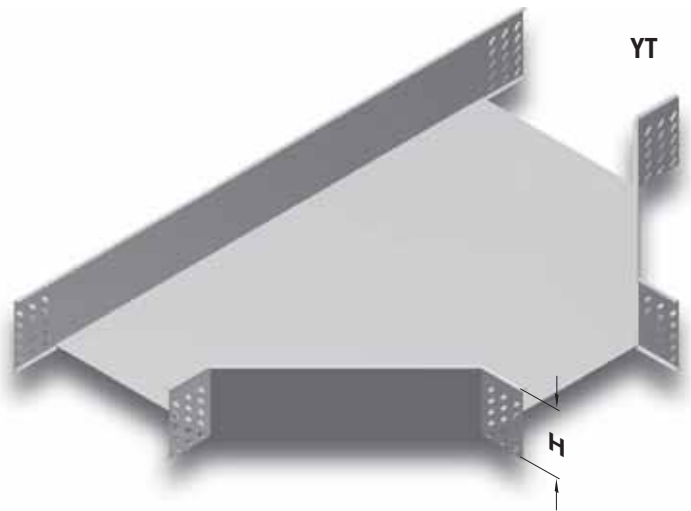
■ Material weights may vary by ± 10%

■ Please contact us for special size.

▶▶ CTA "T" MODULE R=600

Hot Dip Galvanized After Fabrication (TS EN ISO 1461)

Description	H (mm)	ABC (mm)	T (mm)	Weight (kg./pc)	Order Code
040 CTA 050 YT	40	50	2	6,043	3002710
040 CTA 100 YT	40	100	2	7,137	3002711
040 CTA 150 YT	40	150	2	8,017	3002712
040 CTA 200 YT	40	200	2	9,604	3002713
040 CTA 250 YT	40	250	2	10,944	3002714
040 CTA 300 YT	40	300	2	12,376	3002715
040 CTA 400 YT	40	400	2	15,513	3002716
040 CTA 500 YT	40	500	2	18,997	3002717
040 CTA 600 YT	40	600	2	22,825	3002718
050 CTA 050 YT	50	50	2	7,084	3002719
050 CTA 100 YT	50	100	2	8,186	3002720
050 CTA 150 YT	50	150	2	9,375	3002721
050 CTA 200 YT	50	200	2	10,651	3002722
050 CTA 250 YT	50	250	2	12,012	3002723
050 CTA 300 YT	50	300	2	13,461	3002724
050 CTA 400 YT	50	400	2	16,616	3002725
050 CTA 500 YT	50	500	2	20,116	3002726
050 CTA 600 YT	50	600	2	23,961	3002727
060 CTA 100 YT	60	100	2	8,745	3002728
060 CTA 150 YT	60	150	2	9,942	3002729
060 CTA 200 YT	60	200	2	11,275	3002730
060 CTA 250 YT	60	250	2	12,596	3002731
060 CTA 300 YT	60	300	2	14,053	3002732
060 CTA 400 YT	60	400	2	16,981	3002733
060 CTA 500 YT	60	500	2	20,790	3002734
060 CTA 600 YT	60	600	2	24,553	3002735
075 CTA 100 YT	75	100	2	8,800	3002736
075 CTA 150 YT	75	150	2	10,011	3002737
075 CTA 200 YT	75	200	2	11,308	3002738
075 CTA 250 YT	75	250	2	12,691	3002739
075 CTA 300 YT	75	300	2	14,160	3002740
075 CTA 400 YT	75	400	2	17,359	3002741
075 CTA 500 YT	75	500	2	20,902	3002742
075 CTA 600 YT	75	600	2	24,783	3002743
100 CTA 100 YT	100	100	2	10,979	3002744
100 CTA 150 YT	100	150	2	12,211	3002745
100 CTA 200 YT	100	200	2	13,529	3002746
100 CTA 250 YT	100	250	2	14,934	3002747
100 CTA 300 YT	100	300	2	16,425	3002748
100 CTA 400 YT	100	400	2	19,666	3002749
100 CTA 500 YT	100	500	2	23,253	3002750
100 CTA 600 YT	100	600	2	25,185	3002751



H=040, H=050, H=060 single row perforated.
 H=075 two rows perforated.
 H=100 three rows perforated.
 H=125 four rows perforated.
 H=150 five rows perforated.

Description	H (mm)	ABC (mm)	T (mm)	Weight (kg./pc)	Order Code
125 CTA 150 YT	125	150	2	13,607	3003503
125 CTA 200 YT	125	200	2	14,947	3003504
125 CTA 250 YT	125	250	2	16,374	3003505
125 CTA 300 YT	125	300	2	17,886	3003506
125 CTA 400 YT	125	400	2	21,171	3003507
125 CTA 500 YT	125	500	2	24,801	3003508
125 CTA 600 YT	125	600	2	26,165	3003509
150 CTA 200 YT	150	200	2	16,408	3003510
150 CTA 250 YT	150	250	2	18,381	3003511
150 CTA 300 YT	150	300	2	20,471	3003512
150 CTA 400 YT	150	400	2	22,718	3003513
150 CTA 500 YT	150	500	2	25,751	3003514
150 CTA 600 YT	150	600	2	27,827	3003515

■ Please indicate order code in your orders.

■ Material weights may vary by ± 10%

■ Please contact us for special size.

►► **CTA "T" MODULE COVER R=117**
Hot Dip Galvanized After Fabrication (TS EN ISO 1461)

Description	ABC (mm)	T (mm)	Weight (kg./pc)	Order Code
CTA 050 YT COVER	55	2	1,003	3005454
CTA 100 YT COVER	105	2	1,724	3005666
CTA 150 YT COVER	155	2	2,531	3005664
CTA 200 YT COVER	205	2	3,424	3005662
CTA 250 YT COVER	255	2	4,406	3005660
CTA 300 YT COVER	305	2	5,473	3005658
CTA 400 YT COVER	405	2	7,868	3005656
CTA 500 YT COVER	505	2	10,611	3005654
CTA 600 YT COVER	605	2	13,701	3005652

►► **CTA "T" MODULE COVER R=450**
Hot Dip Galvanized After Fabrication (TS EN ISO 1461)

Description	A (mm)	T (mm)	Weight (kg./pc)	Order Code
CTA 050 YT COVER	55	2	2,202	3005067
CTA 100 YT COVER	105	2	3,031	3005068
CTA 150 YT COVER	155	2	3,946	3005069
CTA 200 YT COVER	205	2	4,947	3005070
CTA 250 YT COVER	255	2	6,035	3005071
CTA 300 YT COVER	305	2	7,208	3005072
CTA 400 YT COVER	405	2	8,935	3005073
CTA 500 YT COVER	505	2	12,768	3005074
CTA 600 YT COVER	605	2	16,066	3005075

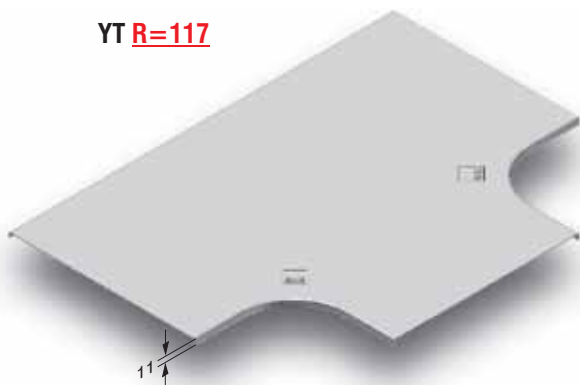
►► **CTA "T" MODULE COVER R=300**
Hot Dip Galvanized After Fabrication (TS EN ISO 1461)

Description	A (mm)	T (mm)	Weight (kg./pc)	Order Code
CTA 050 YT COVER	55	2	1,221	3005058
CTA 100 YT COVER	105	2	1,823	3005059
CTA 150 YT COVER	155	2	2,509	3005060
CTA 200 YT COVER	205	2	3,284	3005061
CTA 250 YT COVER	255	2	4,144	3005062
CTA 300 YT COVER	305	2	5,090	3005063
CTA 400 YT COVER	405	2	7,241	3005064
CTA 500 YT COVER	505	2	9,738	3005065
CTA 600 YT COVER	605	2	12,581	3005066

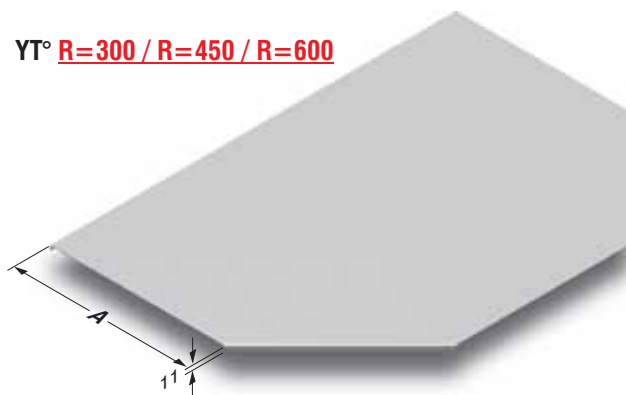
►► **CTA "T" MODULE COVER R=600**
Hot Dip Galvanized After Fabrication (TS EN ISO 1461)

Description	A (mm)	T (mm)	Weight (kg./pc)	Order Code
CTA 050 YT COVER	55	2	3,450	3005076
CTA 100 YT COVER	105	2	4,506	3005077
CTA 150 YT COVER	155	2	5,649	3005078
CTA 200 YT COVER	205	2	6,877	3005079
CTA 250 YT COVER	255	2	8,193	3005080
CTA 300 YT COVER	305	2	9,594	3005081
CTA 400 YT COVER	405	2	12,657	3005082
CTA 500 YT COVER	505	2	16,064	3005083
CTA 600 YT COVER	605	2	19,818	3005084

YT **R=117**



YT° **R=300 / R=450 / R=600**



■ Please indicate order code in your orders.

■ Material weights may vary by ± 10%

■ Please contact us for special size.

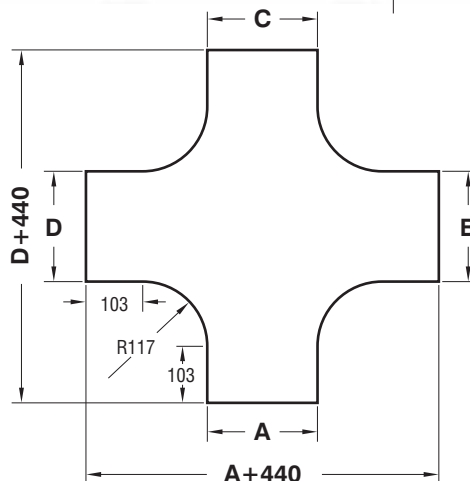
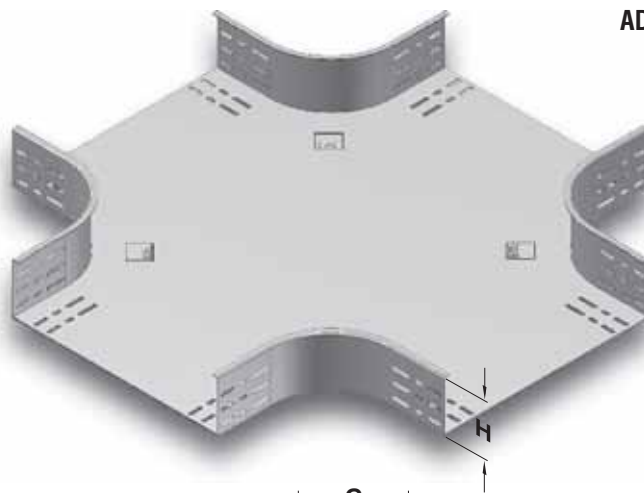
▶▶ CTA "+" CONNECTION MODULE

Hot Dip Galvanized After Fabrication (TS EN ISO 1461)

Description	H (mm)	ABC (mm)	T (mm)	Weight (kg./pc)	Order Code
040 CTA 050 AD	40	50	2	2,153	3005732
040 CTA 100 AD	40	100	2	2,992	3006199
040 CTA 150 AD	40	150	2	3,879	3006197
040 CTA 200 AD	40	200	2	4,845	3006195
040 CTA 250 AD	40	250	2	5,889	3006193
040 CTA 300 AD	40	300	2	7,011	3006191
040 CTA 400 AD	40	400	2	9,492	3006189
040 CTA 500 AD	40	500	2	12,287	3006187
040 CTA 600 AD	40	600	2	15,394	3006185
050 CTA 050 AD	50	50	2	2,457	3001180
050 CTA 100 AD	50	100	2	3,296	3007696
050 CTA 150 AD	50	150	2	4,183	3007174
050 CTA 200 AD	50	200	2	5,149	3007694
050 CTA 250 AD	50	250	2	7,193	3007172
050 CTA 300 AD	50	300	2	7,315	3007692
050 CTA 400 AD	50	400	2	9,796	3007690
050 CTA 500 AD	50	500	2	12,591	3007688
050 CTA 600 AD	50	600	2	15,698	3007686
060 CTA 100 AD	60	100	2	3,542	3006183
060 CTA 150 AD	60	150	2	4,429	3006181
060 CTA 200 AD	60	200	2	5,395	3006179
060 CTA 250 AD	60	250	2	7,439	3006177
060 CTA 300 AD	60	300	2	7,561	3006175
060 CTA 400 AD	60	400	2	10,042	3006173
060 CTA 500 AD	60	500	2	12,837	3006171
060 CTA 600 AD	60	600	2	15,944	3006169
075 CTA 100 AD	75	100	2	3,908	3007170
075 CTA 150 AD	75	150	2	4,795	3007168
075 CTA 200 AD	75	200	2	5,761	3007684
075 CTA 250 AD	75	250	2	7,805	3007166
075 CTA 300 AD	75	300	2	7,927	3007682
075 CTA 400 AD	75	400	2	10,408	3007680
075 CTA 500 AD	75	500	2	13,203	3007678
075 CTA 600 AD	75	600	2	16,310	3007676
100 CTA 100 AD	100	100	2	4,516	3001181
100 CTA 150 AD	100	150	2	5,403	3007164
100 CTA 200 AD	100	200	2	6,369	3007674
100 CTA 250 AD	100	250	2	8,413	3007162
100 CTA 300 AD	100	300	2	8,535	3007672
100 CTA 400 AD	100	400	2	11,016	3007670
100 CTA 500 AD	100	500	2	13,811	3007668
100 CTA 600 AD	100	600	2	16,918	3007666

"+" Connection Module

AD



H=040, H=050, H=060 single row perforated.
 H=075 two rows perforated.
 H=100 three rows perforated.
 H=125 four rows perforated.
 H=150 five rows perforated.

Description	H (mm)	ABC (mm)	T (mm)	Weight (kg./pc)	Order Code
125 CTA 150 AD	125	150	2	8,920	3003516
125 CTA 200 AD	125	200	2	8,987	3003517
125 CTA 250 AD	125	250	2	9,972	3003518
125 CTA 300 AD	125	300	2	10,830	3003519
125 CTA 400 AD	125	400	2	13,216	3003520
125 CTA 500 AD	125	500	2	15,938	3003521
125 CTA 600 AD	125	600	2	19,003	3003522
150 CTA 200 AD	150	200	2	9,794	3003523
150 CTA 250 AD	150	250	2	10,775	3003524
150 CTA 300 AD	150	300	2	11,644	3003525
150 CTA 400 AD	150	400	2	14,023	3003526
150 CTA 500 AD	150	500	2	16,641	3003527
150 CTA 600 AD	150	600	2	19,806	3003528

■ Please indicate order code in your orders.

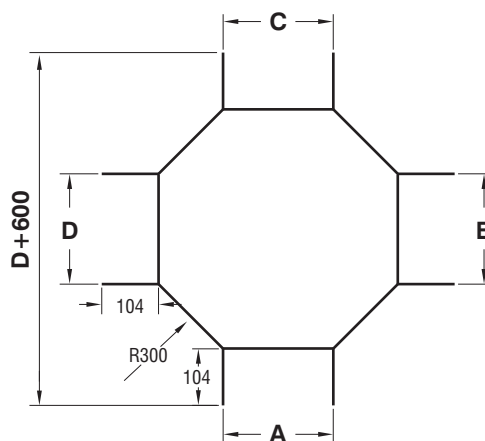
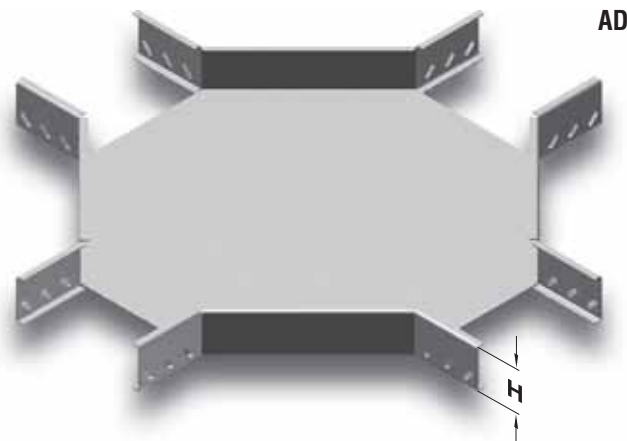
■ Material weights may vary by ± 10%

■ Please contact us for special size.

▶▶ CTA "+" CONNECTION MODULE $R=300$ Hot Dip Galvanized After Fabrication (TS EN ISO 1461)

Description	H (mm)	ABC (mm)	T (mm)	Weight (kg./pc)	Order Code
040 CTA 050 AD	40	50	2	3,616	3002752
040 CTA 100 AD	40	100	2	4,352	3002753
040 CTA 150 AD	40	150	2	4,683	3002754
040 CTA 200 AD	40	200	2	5,038	3002755
040 CTA 250 AD	40	250	2	7,080	3002756
040 CTA 300 AD	40	300	2	8,161	3002757
040 CTA 400 AD	40	400	2	10,584	3002758
040 CTA 500 AD	40	500	2	13,353	3002759
040 CTA 600 AD	40	600	2	16,466	3002760
050 CTA 050 AD	50	50	2	3,929	3002761
050 CTA 100 AD	50	100	2	4,666	3002762
050 CTA 150 AD	50	150	2	5,489	3002763
050 CTA 200 AD	50	200	2	6,398	3002764
050 CTA 250 AD	50	250	2	7,393	3002765
050 CTA 300 AD	50	300	2	8,476	3002766
050 CTA 400 AD	50	400	2	10,978	3002767
050 CTA 500 AD	50	500	2	13,666	3002768
050 CTA 600 AD	50	600	2	16,781	3002769
060 CTA 100 AD	60	100	2	4,980	3002770
060 CTA 150 AD	60	150	2	5,803	3002771
060 CTA 200 AD	60	200	2	6,712	3002772
060 CTA 250 AD	60	250	2	7,708	3002773
060 CTA 300 AD	60	300	2	8,789	3002774
060 CTA 400 AD	60	400	2	11,212	3002775
060 CTA 500 AD	60	500	2	13,981	3002776
060 CTA 600 AD	60	600	2	17,094	3002777
075 CTA 100 AD	75	100	2	5,398	3002778
075 CTA 150 AD	75	150	2	6,221	3002779
075 CTA 200 AD	75	200	2	7,129	3002780
075 CTA 250 AD	75	250	2	8,125	3002781
075 CTA 300 AD	75	300	2	9,207	3002782
075 CTA 400 AD	75	400	2	11,960	3002783
075 CTA 500 AD	75	500	2	14,398	3002784
075 CTA 600 AD	75	600	2	17,512	3002785
100 CTA 100 AD	100	100	2	6,129	3002786
100 CTA 150 AD	100	150	2	6,952	3002787
100 CTA 200 AD	100	200	2	7,861	3002788
100 CTA 250 AD	100	250	2	8,856	3002789
100 CTA 300 AD	100	300	2	9,939	3002790
100 CTA 400 AD	100	400	2	12,362	3002791
100 CTA 500 AD	100	500	2	15,129	3002792
100 CTA 600 AD	100	600	2	18,244	3002793

"+" Connection Module



H=040, H=050, H=060 single row perforated.
H=075 two rows perforated.
H=100 three rows perforated.
H=125 four rows perforated.
H=150 five rows perforated.

Description	H (mm)	ABC (mm)	T (mm)	Weight (kg./pc)	Order Code
125 CTA 150 AD	125	150	2	8,135	3003529
125 CTA 200 AD	125	200	2	8,910	3003530
125 CTA 250 AD	125	250	2	10,040	3003531
125 CTA 300 AD	125	300	2	11,121	3003532
125 CTA 400 AD	125	400	2	13,543	3003533
125 CTA 500 AD	125	500	2	16,312	3003534
125 CTA 600 AD	125	600	2	19,426	3003535
150 CTA 200 AD	150	200	2	8,853	3003536
150 CTA 250 AD	150	250	2	10,894	3003537
150 CTA 300 AD	150	300	2	11,977	3003538
150 CTA 400 AD	150	400	2	14,399	3003539
150 CTA 500 AD	150	500	2	17,168	3003540
150 CTA 600 AD	150	600	2	20,281	3003541

■ Please indicate order code in your orders.

■ Material weights may vary by $\pm 10\%$

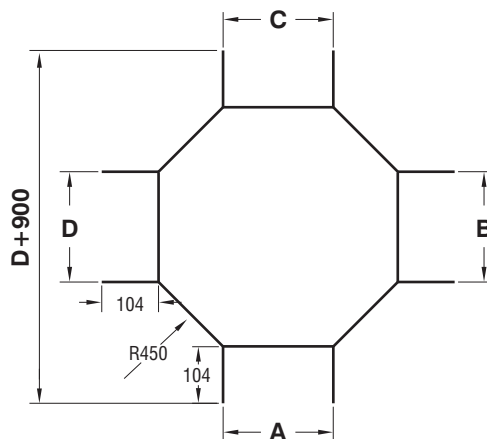
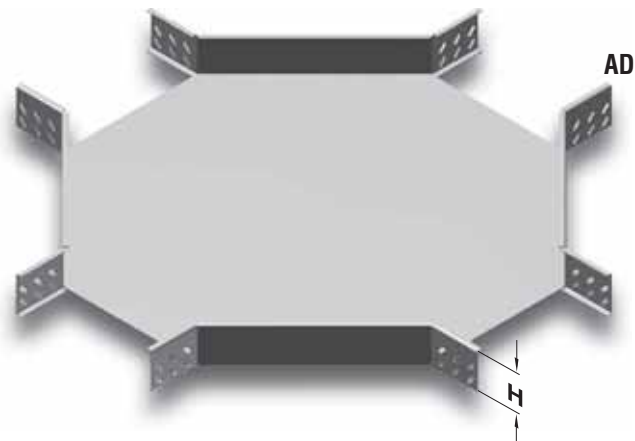
■ Please contact us for special size.

▶▶ CTA "+" CONNECTION MODULE $R=450$

Hot Dip Galvanized After Fabrication (TS EN ISO 1461)

Description	H (mm)	ABC (mm)	T (mm)	Weight (kg./pc)	Order Code
040 CTA 050 AD	40	50	2	4,950	3002794
040 CTA 100 AD	40	100	2	6,828	3002795
040 CTA 150 AD	40	150	2	7,954	3002796
040 CTA 200 AD	40	200	2	9,167	3002797
040 CTA 250 AD	40	250	2	10,467	3002798
040 CTA 300 AD	40	300	2	11,851	3002799
040 CTA 400 AD	40	400	2	14,882	3002800
040 CTA 500 AD	40	500	2	18,257	3002801
040 CTA 600 AD	40	600	2	21,978	3002802
050 CTA 050 AD	50	50	2	5,349	3002803
050 CTA 100 AD	50	100	2	7,228	3002804
050 CTA 150 AD	50	150	2	8,355	3002805
050 CTA 200 AD	50	200	2	9,567	3002806
050 CTA 250 AD	50	250	2	10,866	3002807
050 CTA 300 AD	50	300	2	12,252	3002808
050 CTA 400 AD	50	400	2	15,281	3002809
050 CTA 500 AD	50	500	2	18,657	3002810
050 CTA 600 AD	50	600	2	22,377	3002811
060 CTA 100 AD	60	100	2	7,627	3002812
060 CTA 150 AD	60	150	2	8,754	3002813
060 CTA 200 AD	60	200	2	9,901	3002814
060 CTA 250 AD	60	250	2	11,266	3002815
060 CTA 300 AD	60	300	2	12,652	3002816
060 CTA 400 AD	60	400	2	15,682	3002817
060 CTA 500 AD	60	500	2	19,056	3002818
060 CTA 600 AD	60	600	2	22,778	3002819
075 CTA 100 AD	75	100	2	7,075	3002820
075 CTA 150 AD	75	150	2	9,301	3002821
075 CTA 200 AD	75	200	2	10,513	3002822
075 CTA 250 AD	75	250	2	11,812	3002823
075 CTA 300 AD	75	300	2	13,198	3002824
075 CTA 400 AD	75	400	2	16,227	3002825
075 CTA 500 AD	75	500	2	19,603	3002826
075 CTA 600 AD	75	600	2	23,323	3002827
100 CTA 100 AD	100	100	2	8,021	3002828
100 CTA 150 AD	100	150	2	10,247	3002829
100 CTA 200 AD	100	200	2	11,459	3002830
100 CTA 250 AD	100	250	2	12,758	3002831
100 CTA 300 AD	100	300	2	14,144	3002832
100 CTA 400 AD	100	400	2	17,173	3002833
100 CTA 500 AD	100	500	2	20,549	3002834
100 CTA 600 AD	100	600	2	24,269	3002835

"+" Connection Module



H=040, H=050, H=060 single row perforated.
 H=075 two rows perforated.
 H=100 three rows perforated.
 H=125 four rows perforated.
 H=150 five rows perforated.

Description	H (mm)	ABC (mm)	T (mm)	Weight (kg./pc)	Order Code
125 CTA 150 AD	125	150	2	12,910	3003542
125 CTA 200 AD	125	200	2	14,122	3003543
125 CTA 250 AD	125	250	2	15,421	3003544
125 CTA 300 AD	125	300	2	16,807	3003545
125 CTA 400 AD	125	400	2	19,836	3003546
125 CTA 500 AD	125	500	2	23,212	3003547
125 CTA 600 AD	125	600	2	26,932	3003548
150 CTA 200 AD	150	200	2	15,407	3003549
150 CTA 250 AD	150	250	2	16,706	3003550
150 CTA 300 AD	150	300	2	18,091	3003551
150 CTA 400 AD	150	400	2	21,121	3003552
150 CTA 500 AD	150	500	2	24,496	3003553
150 CTA 600 AD	150	600	2	28,217	3003554

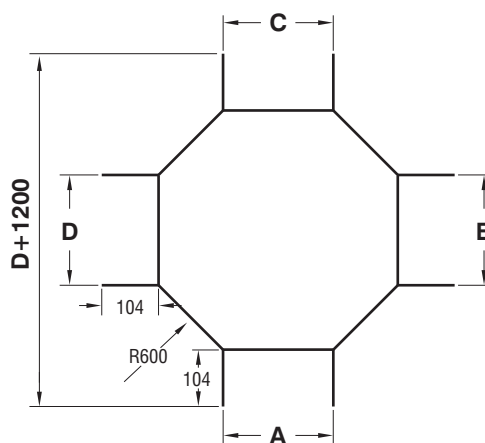
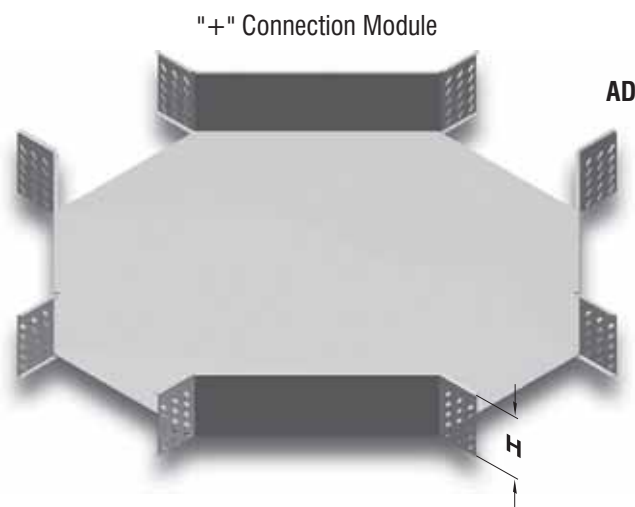
■ Please indicate order code in your orders.

■ Material weights may vary by $\pm 10\%$

■ Please contact us for special size.

▶▶ CTA "+" CONNECTION MODULE $R=600$ Hot Dip Galvanized After Fabrication (TS EN ISO 1461)

Description	H (mm)	ABC (mm)	T (mm)	Weight (kg./pc)	Order Code
040 CTA 050 AD	40	50	2	7,114	3002836
040 CTA 100 AD	40	100	2	9,837	3002837
040 CTA 150 AD	40	150	2	11,267	3002838
040 CTA 200 AD	40	200	2	12,784	3002839
040 CTA 250 AD	40	250	2	14,386	3002840
040 CTA 300 AD	40	300	2	16,075	3002841
040 CTA 400 AD	40	400	2	19,712	3002842
040 CTA 500 AD	40	500	2	23,694	3002843
040 CTA 600 AD	40	600	2	28,243	3002844
<hr/>					
050 CTA 050 AD	50	50	2	7,599	3002845
050 CTA 100 AD	50	100	2	10,324	3002846
050 CTA 150 AD	50	150	2	11,754	3002847
050 CTA 200 AD	50	200	2	13,269	3002848
050 CTA 250 AD	50	250	2	14,872	3002849
050 CTA 300 AD	50	300	2	16,561	3002850
050 CTA 400 AD	50	400	2	20,198	3002851
050 CTA 500 AD	50	500	2	24,180	3002852
050 CTA 600 AD	50	600	2	28,508	3002853
<hr/>					
060 CTA 100 AD	60	100	2	8,971	3002854
060 CTA 150 AD	60	150	2	12,118	3002855
060 CTA 200 AD	60	200	2	13,633	3002856
060 CTA 250 AD	60	250	2	15,236	3002857
060 CTA 300 AD	60	300	2	16,926	3002858
060 CTA 400 AD	60	400	2	20,562	3002859
060 CTA 500 AD	60	500	2	24,544	3002860
060 CTA 600 AD	60	600	2	28,994	3002861
<hr/>					
075 CTA 100 AD	75	100	2	9,767	3002862
075 CTA 150 AD	75	150	2	12,914	3002863
075 CTA 200 AD	75	200	2	14,430	3002864
075 CTA 250 AD	75	250	2	16,033	3002865
075 CTA 300 AD	75	300	2	17,722	3002866
075 CTA 400 AD	75	400	2	21,359	3002867
075 CTA 500 AD	75	500	2	25,341	3002868
075 CTA 600 AD	75	600	2	29,668	3002869
<hr/>					
100 CTA 100 AD	100	100	2	10,927	3002870
100 CTA 150 AD	100	150	2	14,075	3002871
100 CTA 200 AD	100	200	2	15,590	3002872
100 CTA 250 AD	100	250	2	17,193	3002873
100 CTA 300 AD	100	300	2	18,883	3002874
100 CTA 400 AD	100	400	2	22,519	3002875
100 CTA 500 AD	100	500	2	26,501	3002876
100 CTA 600 AD	100	600	2	30,829	3002877



H=040, H=050, H=060 single row perforated.
 H=075 two rows perforated.
 H=100 three rows perforated.
 H=125 four rows perforated.
 H=150 five rows perforated.

Description	H (mm)	ABC (mm)	T (mm)	Weight (kg./pc)	Order Code
125 CTA 150 AD	125	150	2	17,118	3003555
125 CTA 200 AD	125	200	2	19,734	3003556
125 CTA 250 AD	125	250	2	21,337	3003557
125 CTA 300 AD	125	300	2	23,025	3003558
125 CTA 400 AD	125	400	2	26,662	3003559
125 CTA 500 AD	125	500	2	30,645	3003560
125 CTA 600 AD	125	600	2	34,972	3003561
<hr/>					
150 CTA 200 AD	150	200	2	21,448	3003562
150 CTA 250 AD	150	250	2	23,051	3003563
150 CTA 300 AD	150	300	2	24,739	3003564
150 CTA 400 AD	150	400	2	30,576	3003565
150 CTA 500 AD	150	500	2	32,358	3003566
150 CTA 600 AD	150	600	2	36,686	3003567

■ Please indicate order code in your orders.

■ Material weights may vary by $\pm 10\%$

■ Please contact us for special size.

▶▶ **CTA "+" CONNECTION MODULE COVER R=117**
Hot Dip Galvanized After Fabrication (TS EN ISO 1461)

Description	ABCD (mm)	T (mm)	Weight (kg./pc)	Order Code
CTA 050 AD COVER	55	2	1,299	3005452
CTA 100 AD COVER	105	2	2,265	3005650
CTA 150 AD COVER	155	2	3,182	3005648
CTA 200 AD COVER	205	2	4,331	3005646
CTA 250 AD COVER	255	2	5,409	3005644
CTA 300 AD COVER	305	2	6,743	3005642
CTA 400 AD COVER	405	2	9,503	3005640
CTA 500 AD COVER	505	2	12,610	3005638
CTA 600 AD COVER	605	2	16,064	3005636

▶▶ **CTA "+" CONNECTION MODULE COVER R=450**
Hot Dip Galvanized After Fabrication (TS EN ISO 1461)

Description	A (mm)	T (mm)	Weight (kg./pc)	Order Code
CTA 050 AD COVER	55	2	3,678	3005094
CTA 100 AD COVER	105	2	4,727	3005095
CTA 150 AD COVER	155	2	5,862	3005096
CTA 200 AD COVER	205	2	7,083	3005097
CTA 250 AD COVER	255	2	8,391	3005098
CTA 300 AD COVER	305	2	9,786	3005099
CTA 400 AD COVER	405	2	12,833	3005100
CTA 500 AD COVER	505	2	16,225	3005101
CTA 600 AD COVER	605	2	19,963	3005102

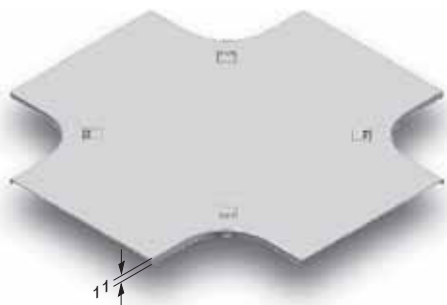
▶▶ **CTA "+" CONNECTION MODULE COVER R=300**
Hot Dip Galvanized After Fabrication (TS EN ISO 1461)

Description	A (mm)	T (mm)	Weight (kg./pc)	Order Code
CTA 050 AD COVER	55	2	1,936	3005085
CTA 100 AD COVER	105	2	2,682	3005086
CTA 150 AD COVER	155	2	3,513	3005087
CTA 200 AD COVER	205	2	4,431	3005088
CTA 250 AD COVER	255	2	5,435	3005089
CTA 300 AD COVER	305	2	7,625	3005090
CTA 400 AD COVER	405	2	8,966	3005091
CTA 500 AD COVER	505	2	11,751	3005092
CTA 600 AD COVER	605	2	14,882	3005093

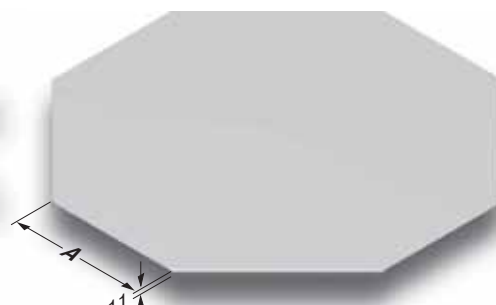
▶▶ **CTA "+" CONNECTION MODULE COVER R=600**
Hot Dip Galvanized After Fabrication (TS EN ISO 1461)

Description	A (mm)	T (mm)	Weight (kg./pc)	Order Code
CTA 050 AD COVER	55	2	5,954	3005103
CTA 100 AD COVER	105	2	7,306	3005104
CTA 150 AD COVER	155	2	8,745	3005105
CTA 200 AD COVER	205	2	10,270	3005106
CTA 250 AD COVER	255	2	11,880	3005107
CTA 300 AD COVER	305	2	13,578	3005108
CTA 400 AD COVER	405	2	17,233	3005109
CTA 500 AD COVER	505	2	21,232	3005110
CTA 600 AD COVER	605	2	25,576	3005111

AD **R=117**



AD **R=300 / R=450 / R=600**



■ Please indicate order code in your orders.

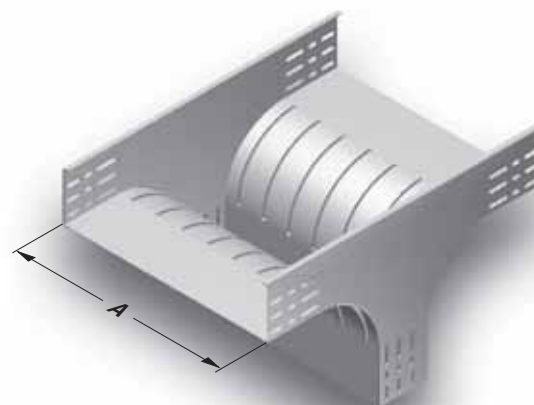
■ Material weights may vary by ± 10%

■ R=600, The lids with a Width of 500 and 600 will be supplied as two separate hinged parts.

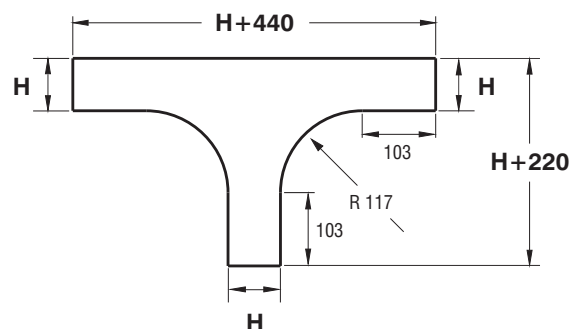
■ Please contact us for special size.

▶▶ CTA "T" MIDDLE DESCENT MODULE Hot Dip Galvanized After Fabrication (TS EN ISO 1461)

Description	H (mm)	A (mm)	T (mm)	Weight (kg./pc)	Order Code
040 CTA 050 TO	40	50	2	2,079	3005738
040 CTA 100 TO	40	100	2	2,794	3005794
040 CTA 150 TO	40	150	2	3,470	3005728
040 CTA 200 TO	40	200	2	4,148	3005726
040 CTA 250 TO	40	250	2	4,824	3005724
040 CTA 300 TO	40	300	2	5,501	3005722
040 CTA 400 TO	40	400	2	6,855	3005917
040 CTA 500 TO	40	500	2	8,209	3005915
040 CTA 600 TO	40	600	2	9,563	3005913
<hr/>					
050 CTA 050 TO	50	50	2	2,100	3001174
050 CTA 100 TO	50	100	2	2,782	3007514
050 CTA 150 TO	50	150	2	3,465	3007256
050 CTA 200 TO	50	200	2	4,147	3007512
050 CTA 250 TO	50	250	2	4,829	3007254
050 CTA 300 TO	50	300	2	5,610	3007510
050 CTA 400 TO	50	400	2	6,875	3007508
050 CTA 500 TO	50	500	2	8,240	3007506
050 CTA 600 TO	50	600	2	9,604	3007504
<hr/>					
060 CTA 100 TO	60	100	2	3,053	3005714
060 CTA 150 TO	60	150	2	3,735	3005712
060 CTA 200 TO	60	200	2	4,417	3005710
060 CTA 250 TO	60	250	2	5,099	3005708
060 CTA 300 TO	60	300	2	5,782	3005706
060 CTA 400 TO	60	400	2	7,146	3005901
060 CTA 500 TO	60	500	2	8,510	3005899
060 CTA 600 TO	60	600	2	9,874	3005897
<hr/>					
075 CTA 100 TO	75	100	2	3,383	3007252
075 CTA 150 TO	75	150	2	4,065	3007250
075 CTA 200 TO	75	200	2	4,747	3007502
075 CTA 250 TO	75	250	2	5,430	3007248
075 CTA 300 TO	75	300	2	6,112	3007500
075 CTA 400 TO	75	400	2	7,476	3007498
075 CTA 500 TO	75	500	2	8,840	3007496
075 CTA 600 TO	75	600	2	10,205	3007494
<hr/>					
100 CTA 100 TO	100	100	2	4,081	3001175
100 CTA 150 TO	100	150	2	4,763	3007246
100 CTA 200 TO	100	200	2	5,446	3007492
100 CTA 250 TO	100	250	2	6,128	3007244
100 CTA 300 TO	100	300	2	6,810	3007490
100 CTA 400 TO	100	400	2	8,174	3007488
100 CTA 500 TO	100	500	2	9,538	3007486
100 CTA 600 TO	100	600	2	10,903	3007484



TO



H=040, H=050, H=060 single row perforated.
H=075 two rows perforated.
H=100 three rows perforated.
H=125 four rows perforated.
H=150 five rows perforated.

Description	H (mm)	A (mm)	T (mm)	Weight (kg./pc)	Order Code
125 CTA 150 TO	125	150	2	5,829	3003568
125 CTA 200 TO	125	200	2	6,663	3003569
125 CTA 250 TO	125	250	2	7,499	3003570
125 CTA 300 TO	125	300	2	8,335	3003571
125 CTA 400 TO	125	400	2	9,957	3003572
125 CTA 500 TO	125	500	2	11,670	3003573
125 CTA 600 TO	125	600	2	13,339	3003574
<hr/>					
150 CTA 200 TO	150	200	2	7,323	3003575
150 CTA 250 TO	150	250	2	8,241	3003576
150 CTA 300 TO	150	300	2	9,160	3003577
150 CTA 400 TO	150	400	2	10,942	3003578
150 CTA 500 TO	150	500	2	12,825	3003579
150 CTA 600 TO	150	600	2	14,659	3003580

■ Please indicate order code in your orders.

■ Material weights may vary by ± 10%

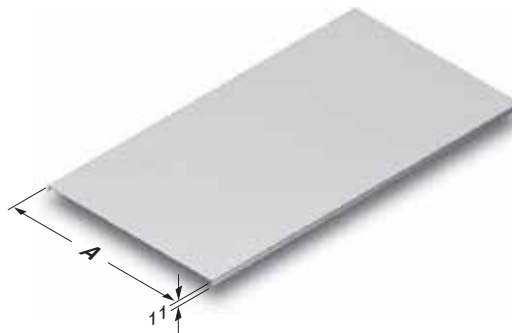
■ Please contact us for special size.

▶▶ CTA "T" MIDDLE DESCENT MODULE COVER

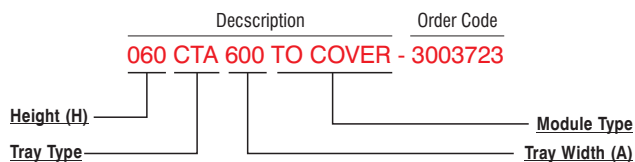
Hot Dip Galvanized After Fabrication (TS EN ISO 1461)

Description	A (mm)	T (mm)	Weight (kg./pc)	Order Code
040 CTA 050 TO COVER	55	2	0,625	3005446
040 CTA 100 TO COVER	105	2	1,042	3005548
040 CTA 150 TO COVER	155	2	1,459	3005546
040 CTA 200 TO COVER	205	2	1,874	3005544
040 CTA 250 TO COVER	255	2	2,291	3005542
040 CTA 300 TO COVER	305	2	2,708	3005540
040 CTA 400 TO COVER	405	2	3,541	3005538
040 CTA 500 TO COVER	505	2	4,375	3005536
040 CTA 600 TO COVER	605	2	5,207	3005534
050 CTA 050 TO COVER	55	2	0,638	3001170
050 CTA 100 TO COVER	105	2	1,064	3005532
050 CTA 150 TO COVER	155	2	1,488	3005530
050 CTA 200 TO COVER	205	2	1,914	3005528
050 CTA 250 TO COVER	255	2	2,339	3005526
050 CTA 300 TO COVER	305	2	2,764	3005524
050 CTA 400 TO COVER	405	2	3,615	3005522
050 CTA 500 TO COVER	505	2	4,465	3005520
050 CTA 600 TO COVER	605	2	5,316	3005518
060 CTA 100 TO COVER	105	2	1,085	3005516
060 CTA 150 TO COVER	155	2	1,519	3005514
060 CTA 200 TO COVER	205	2	1,953	3005512
060 CTA 250 TO COVER	255	2	2,387	3005510
060 CTA 300 TO COVER	305	2	2,820	3005508
060 CTA 400 TO COVER	405	2	3,688	3005506
060 CTA 500 TO COVER	505	2	4,556	3005504
060 CTA 600 TO COVER	605	2	5,424	3005502
075 CTA 100 TO COVER	105	2	1,118	3005500
075 CTA 150 TO COVER	155	2	1,564	3005434
075 CTA 200 TO COVER	205	2	2,012	3005498
075 CTA 250 TO COVER	255	2	2,459	3005432
075 CTA 300 TO COVER	305	2	2,905	3005496
075 CTA 400 TO COVER	405	2	3,799	3005494
075 CTA 500 TO COVER	505	2	4,694	3005492
075 CTA 600 TO COVER	605	2	5,587	3005490
100 CTA 100 TO COVER	105	2	1,172	3001171
100 CTA 150 TO COVER	155	2	1,640	3005430
100 CTA 200 TO COVER	205	2	2,109	3005488
100 CTA 250 TO COVER	255	2	2,577	3005428
100 CTA 300 TO COVER	305	2	3,046	3005486
100 CTA 400 TO COVER	405	2	3,984	3005484
100 CTA 500 TO COVER	505	2	4,921	3005482
100 CTA 600 TO COVER	605	2	5,859	3005480

TO



Sample Order:



Description	A (mm)	T (mm)	Weight (kg./pc)	Order Code
125 CTA 150 TO COVER	155	2	1,702	3003711
125 CTA 200 TO COVER	205	2	2,190	3003712
125 CTA 250 TO COVER	255	2	2,677	3003713
125 CTA 300 TO COVER	305	2	3,166	3003714
125 CTA 400 TO COVER	405	2	4,142	3003715
125 CTA 500 TO COVER	505	2	5,117	3003716
125 CTA 600 TO COVER	605	2	6,093	3003717
150 CTA 200 TO COVER	205	2	2,287	3003718
150 CTA 250 TO COVER	255	2	2,796	3003719
150 CTA 300 TO COVER	305	2	3,306	3003720
150 CTA 400 TO COVER	405	2	4,324	3003721
150 CTA 500 TO COVER	505	2	5,344	3003722
150 CTA 600 TO COVER	605	2	6,362	3003723

■ Please indicate order code in your orders.

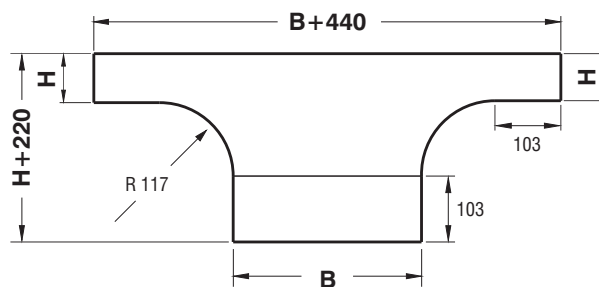
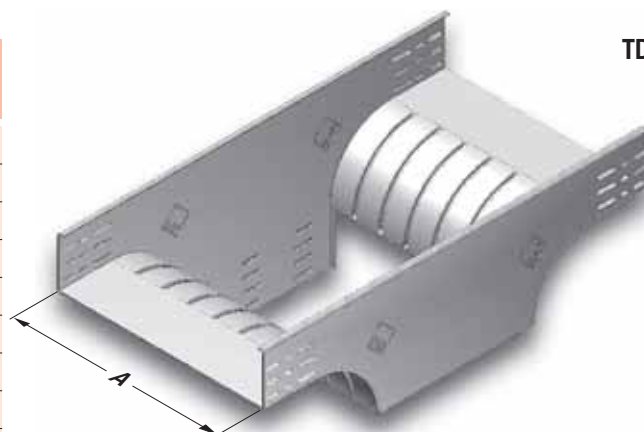
■ Material weights may vary by ± 10%

■ Please contact us for special size.

▶▶ CTA VERTICAL "T" WALL DESCENT MODULE

Hot Dip Galvanized After Fabrication (TS EN ISO 1461)

Description	H (mm)	A (mm)	B (mm)	T (mm)	Weight (kg./pc)	Order Code
040 CTA 050 TD	40	50	50	2	1,992	3005736
040 CTA 100 TD	40	100	100	2	2,911	3005810
040 CTA 150 TD	40	150	150	2	3,534	3005808
040 CTA 200 TD	40	200	200	2	4,398	3005806
040 CTA 250 TD	40	250	250	2	5,900	3005804
040 CTA 300 TD	40	300	300	2	6,842	3005802
040 CTA 400 TD	40	400	300	2	7,950	3005949
040 CTA 500 TD	40	500	300	2	8,578	3005947
040 CTA 600 TD	40	600	300	2	9,649	3005945
<hr/>						
050 CTA 050 TD	50	50	50	2	2,105	3001214
050 CTA 100 TD	50	100	100	2	3,029	3007450
050 CTA 150 TD	50	150	150	2	3,955	3007284
050 CTA 200 TD	50	200	200	2	4,863	3007448
050 CTA 250 TD	50	250	250	2	5,788	3007282
050 CTA 300 TD	50	300	300	2	6,697	3007446
050 CTA 400 TD	50	400	300	2	7,766	3007444
050 CTA 500 TD	50	500	300	2	8,834	3007442
050 CTA 600 TD	50	600	300	2	9,904	3007440
<hr/>						
060 CTA 100 TD	60	100	100	2	3,216	3005776
060 CTA 150 TD	60	150	150	2	4,159	3005774
060 CTA 200 TD	60	200	200	2	5,084	3005772
060 CTA 250 TD	60	250	250	2	6,027	3005770
060 CTA 300 TD	60	300	300	2	6,953	3005768
060 CTA 400 TD	60	400	300	2	8,021	3005933
060 CTA 500 TD	60	500	300	2	9,089	3005931
060 CTA 600 TD	60	600	300	2	10,161	3005929
<hr/>						
075 CTA 100 TD	75	100	100	2	3,462	3007280
075 CTA 150 TD	75	150	150	2	4,430	3007278
075 CTA 200 TD	75	200	200	2	5,382	3007438
075 CTA 250 TD	75	250	250	2	6,350	3007276
075 CTA 300 TD	75	300	300	2	7,302	3007436
075 CTA 400 TD	75	400	300	2	8,371	3007434
075 CTA 500 TD	75	500	300	2	9,439	3007432
075 CTA 600 TD	75	600	300	2	10,509	3007430
<hr/>						
100 CTA 100 TD	100	100	100	2	3,894	3001215
100 CTA 150 TD	100	150	150	2	4,906	3007274
100 CTA 200 TD	100	200	200	2	5,900	3007428
100 CTA 250 TD	100	250	250	2	6,911	3007272
100 CTA 300 TD	100	300	300	2	7,907	3007426
100 CTA 400 TD	100	400	300	2	8,975	3007424
100 CTA 500 TD	100	500	300	2	10,044	3007422
100 CTA 600 TD	100	600	300	2	11,114	3007420



H=040, H=050, H=060 single row perforated.
 H=075 two rows perforated.
 H=100 three rows perforated.
 H=125 four rows perforated.
 H=150 five rows perforated.

Description	H (mm)	A (mm)	B (mm)	T (mm)	Weight (kg./pc)	Order Code
125 CTA 150 TD	125	150	150	2	5,446	3003581
125 CTA 200 TD	125	200	200	2	6,488	3003582
125 CTA 250 TD	125	250	250	2	7,545	3003583
125 CTA 300 TD	125	300	300	2	8,587	3003584
125 CTA 400 TD	125	400	300	2	9,661	3003585
125 CTA 500 TD	125	500	300	2	10,736	3003586
125 CTA 600 TD	125	600	300	2	11,770	3003587
<hr/>						
150 CTA 200 TD	150	200	200	2	6,896	3003588
150 CTA 250 TD	150	250	250	2	7,987	3003589
150 CTA 300 TD	150	300	300	2	9,064	3003590
150 CTA 400 TD	150	400	300	2	10,139	3003591
150 CTA 500 TD	150	500	300	2	11,213	3003592
150 CTA 600 TD	150	600	300	2	12,288	3003593

■ Please indicate order code in your orders.

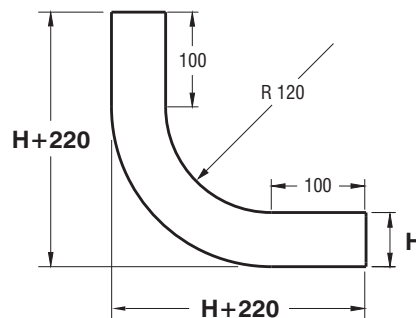
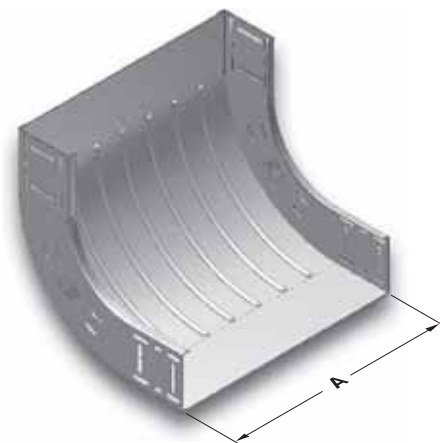
■ Material weights may vary by ± 10%

■ Please contact us for special size.

►► CTA CONCAVE MODULE (90°)

Hot Dip Galvanized After Fabrication (TS EN ISO 1461)

Description	H (mm)	A (mm)	T (mm)	Weight (kg./pc)	Order Code
040 CTA 050 ID	40	50	2	1,232	3005740
040 CTA 100 ID	40	100	2	1,621	3006157
040 CTA 150 ID	40	150	2	2,010	3006155
040 CTA 200 ID	40	200	2	2,399	3006153
040 CTA 250 ID	40	250	2	2,787	3006151
040 CTA 300 ID	40	300	2	3,177	3006149
040 CTA 400 ID	40	400	2	3,955	3006147
040 CTA 500 ID	40	500	2	4,732	3006145
040 CTA 600 ID	40	600	2	5,510	3006143
<hr/>					
050 CTA 050 ID	50	50	2	1,409	3001176
050 CTA 100 ID	50	100	2	1,812	3007634
050 CTA 150 ID	50	150	2	2,214	3007202
050 CTA 200 ID	50	200	2	2,617	3007632
050 CTA 250 ID	50	250	2	3,020	3007200
050 CTA 300 ID	50	300	2	3,422	3007630
050 CTA 400 ID	50	400	2	4,227	3007628
050 CTA 500 ID	50	500	2	5,033	3007626
050 CTA 600 ID	50	600	2	5,837	3007624
<hr/>					
060 CTA 100 ID	60	100	2	2,009	3006141
060 CTA 150 ID	60	150	2	2,424	3006139
060 CTA 200 ID	60	200	2	2,840	3006137
060 CTA 250 ID	60	250	2	3,257	3006135
060 CTA 300 ID	60	300	2	3,673	3006133
060 CTA 400 ID	60	400	2	4,506	3006131
060 CTA 500 ID	60	500	2	5,337	3006129
060 CTA 600 ID	60	600	2	6,170	3006127
<hr/>					
075 CTA 100 ID	75	100	2	2,313	3007198
075 CTA 150 ID	75	150	2	2,750	3007196
075 CTA 200 ID	75	200	2	3,187	3007622
075 CTA 250 ID	75	250	2	3,623	3007194
075 CTA 300 ID	75	300	2	4,060	3007620
075 CTA 400 ID	75	400	2	4,932	3007618
075 CTA 500 ID	75	500	2	5,806	3007616
075 CTA 600 ID	75	600	2	6,679	3007614
<hr/>					
100 CTA 100 ID	100	100	2	2,849	3001177
100 CTA 150 ID	100	150	2	3,320	3007192
100 CTA 200 ID	100	200	2	3,790	3007612
100 CTA 250 ID	100	250	2	4,260	3007190
100 CTA 300 ID	100	300	2	4,731	3007610
100 CTA 400 ID	100	400	2	5,673	3007608
100 CTA 500 ID	100	500	2	6,613	3007606
100 CTA 600 ID	100	600	2	7,555	3007604



ID

■ Please indicate order code in your orders.

■ Material weights may vary by ± 10%

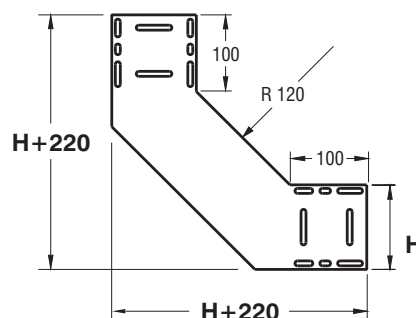
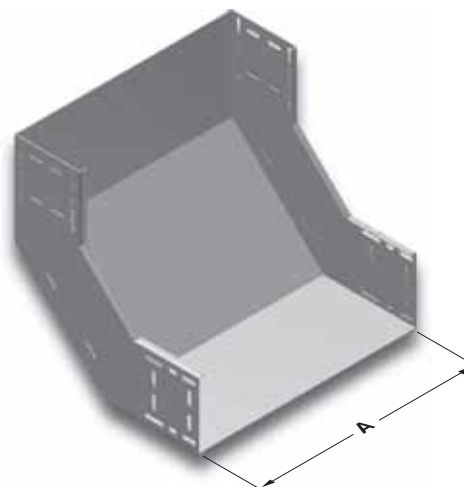
■ Please contact us for special size.

▶▶ CTA CONCAVE MODULE (90°)

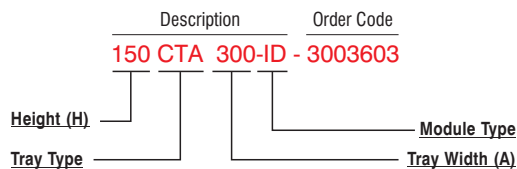
Hot Dip Galvanized After Fabrication (TS EN ISO 1461)

Description	H (mm)	A (mm)	T (mm)	Weight (kg./pc)	Order Code
125 CTA 150 ID	125	150	2	3,770	3003594
125 CTA 200 ID	125	200	2	4,275	3003595
125 CTA 250 ID	125	250	2	4,778	3003596
125 CTA 300 ID	125	300	2	5,283	3003597
125 CTA 400 ID	125	400	2	6,292	3003598
125 CTA 500 ID	125	500	2	7,301	3003599
125 CTA 600 ID	125	600	2	8,309	3003600
150 CTA 200 ID	150	200	2	4,958	3003601
150 CTA 250 ID	150	250	2	5,501	3003602
150 CTA 300 ID	150	300	2	6,039	3003603
150 CTA 400 ID	150	400	2	7,120	3003604
150 CTA 500 ID	150	500	2	8,202	3003605
150 CTA 600 ID	150	600	2	9,283	3003606

ID



Sample Order:
 Height (H): 150 mm,
 Tray Width (A): 300 mm,
 Sheet Metal Thickness (T): 2 mm,
 Type of Coating (S): Hot Dip Galvanized,
 Module Type: Horizontal Elbow Module



■ Please indicate order code in your orders.

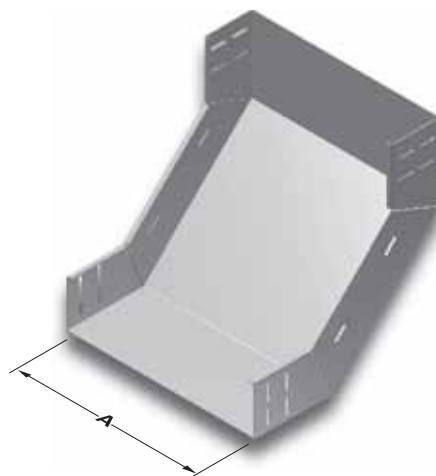
■ Material weights may vary by ± 10%

■ Please contact us for special size.

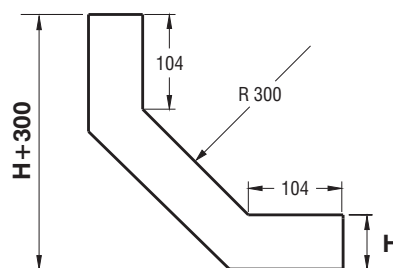
▶▶ CTA CONCAVE MODULE (90°) R=300

Hot Dip Galvanized After Fabrication (TS EN ISO 1461)

Description	H (mm)	A (mm)	T (mm)	Weight (kg./pc)	Order Code
040 CTA 050 ID	40	50	2	1,612	3002878
040 CTA 100 ID	40	100	2	2,091	3002879
040 CTA 150 ID	40	150	2	2,576	3002880
040 CTA 200 ID	40	200	2	3,064	3002881
040 CTA 250 ID	40	250	2	3,550	3002882
040 CTA 300 ID	40	300	2	4,036	3002883
040 CTA 400 ID	40	400	2	4,990	3002884
040 CTA 500 ID	40	500	2	5,960	3002885
040 CTA 600 ID	40	600	2	6,928	3002886
050 CTA 050 ID	50	50	2	1,813	3002887
050 CTA 100 ID	50	100	2	2,296	3002888
050 CTA 150 ID	50	150	2	2,774	3002889
050 CTA 200 ID	50	200	2	3,276	3002890
050 CTA 250 ID	50	250	2	3,758	3002891
050 CTA 300 ID	50	300	2	4,256	3002892
050 CTA 400 ID	50	400	2	5,332	3002893
050 CTA 500 ID	50	500	2	6,214	3002894
050 CTA 600 ID	50	600	2	7,186	3002895
060 CTA 100 ID	60	100	2	2,518	3002896
060 CTA 150 ID	60	150	2	3,020	3002897
060 CTA 200 ID	60	200	2	3,522	3002898
060 CTA 250 ID	60	250	2	4,033	3002899
060 CTA 300 ID	60	300	2	4,535	3002900
060 CTA 400 ID	60	400	2	5,536	3002901
060 CTA 500 ID	60	500	2	6,552	3002902
060 CTA 600 ID	60	600	2	7,970	3002903
075 CTA 100 ID	75	100	2	2,863	3002904
075 CTA 150 ID	75	150	2	3,394	3002905
075 CTA 200 ID	75	200	2	3,926	3002906
075 CTA 250 ID	75	250	2	4,440	3002907
075 CTA 300 ID	75	300	2	4,970	3002908
075 CTA 400 ID	75	400	2	5,974	3002909
075 CTA 500 ID	75	500	2	7,204	3002910
075 CTA 600 ID	75	600	2	8,117	3002911
100 CTA 100 ID	100	100	2	3,482	3002912
100 CTA 150 ID	100	150	2	4,041	3002913
100 CTA 200 ID	100	200	2	4,608	3002914
100 CTA 250 ID	100	250	2	5,162	3002915
100 CTA 300 ID	100	300	2	5,723	3002916
100 CTA 400 ID	100	400	2	6,842	3002917
100 CTA 500 ID	100	500	2	7,960	3002918
100 CTA 600 ID	100	600	2	9,083	3002919



ID



Description	H (mm)	A (mm)	T (mm)	Weight (kg./pc)	Order Code
125 CTA 150 ID	125	150	2	4,740	3003607
125 CTA 200 ID	125	200	2	5,345	3003608
125 CTA 250 ID	125	250	2	5,949	3003609
125 CTA 300 ID	125	300	2	6,553	3003610
125 CTA 400 ID	125	400	2	7,762	3003611
125 CTA 500 ID	125	500	2	8,971	3003612
125 CTA 600 ID	125	600	2	10,178	3003613
150 CTA 200 ID	150	200	2	6,123	3003614
150 CTA 250 ID	150	250	2	6,762	3003615
150 CTA 300 ID	150	300	2	7,402	3003616
150 CTA 400 ID	150	400	2	8,682	3003617
150 CTA 500 ID	150	500	2	9,958	3003618
150 CTA 600 ID	150	600	2	11,242	3003619

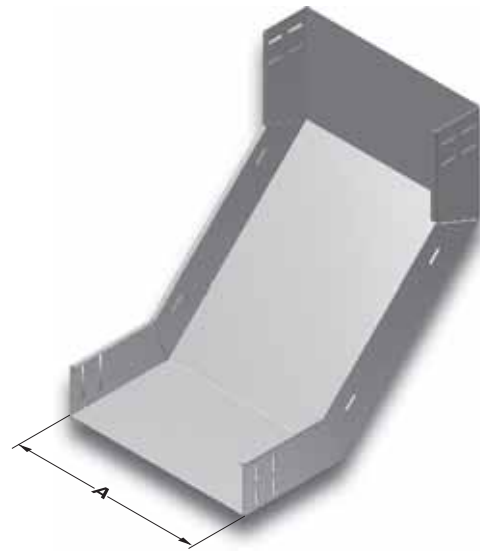
■ Please indicate order code in your orders.

■ Material weights may vary by ± 10%

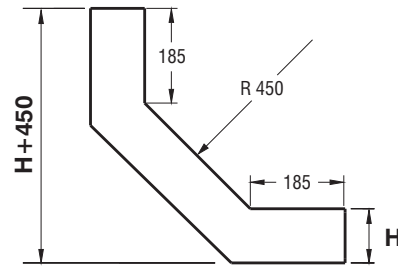
■ Please contact us for special size.

▶▶ CTA CONCAVE MODULE (90°) R=450
 Hot Dip Galvanized After Fabrication (TS EN ISO 1461)

Description	H (mm)	A (mm)	T (mm)	Weight (kg./pc)	Order Code
040 CTA 050 ID	40	50	2	2,372	3002920
040 CTA 100 ID	40	100	2	3,068	3002921
040 CTA 150 ID	40	150	2	3,753	3002922
040 CTA 200 ID	40	200	2	4,451	3002923
040 CTA 250 ID	40	250	2	5,137	3002924
040 CTA 300 ID	40	300	2	5,837	3002925
040 CTA 400 ID	40	400	2	7,226	3002926
040 CTA 500 ID	40	500	2	8,609	3002927
040 CTA 600 ID	40	600	2	10,007	3002928
<hr/>					
050 CTA 050 ID	50	50	2	2,646	3002929
050 CTA 100 ID	50	100	2	3,339	3002930
050 CTA 150 ID	50	150	2	4,046	3002931
050 CTA 200 ID	50	200	2	4,748	3002932
050 CTA 250 ID	50	250	2	5,443	3002933
050 CTA 300 ID	50	300	2	6,145	3002934
050 CTA 400 ID	50	400	2	7,543	3002935
050 CTA 500 ID	50	500	2	8,946	3002936
050 CTA 600 ID	50	600	2	10,343	3002937
<hr/>					
060 CTA 100 ID	60	100	2	3,652	3002938
060 CTA 150 ID	60	150	2	4,362	3002939
060 CTA 200 ID	60	200	2	5,073	3002940
060 CTA 250 ID	60	250	2	5,797	3002941
060 CTA 300 ID	60	300	2	6,503	3002942
060 CTA 400 ID	60	400	2	7,932	3002943
060 CTA 500 ID	60	500	2	9,368	3002944
060 CTA 600 ID	60	600	2	10,791	3002945
<hr/>					
075 CTA 100 ID	75	100	2	4,126	3002946
075 CTA 150 ID	75	150	2	4,864	3002947
075 CTA 200 ID	75	200	2	5,598	3002948
075 CTA 250 ID	75	250	2	6,332	3002949
075 CTA 300 ID	75	300	2	7,069	3002950
075 CTA 400 ID	75	400	2	8,542	3002951
075 CTA 500 ID	75	500	2	10,012	3002952
075 CTA 600 ID	75	600	2	11,490	3002953
<hr/>					
100 CTA 100 ID	100	100	2	4,953	3002954
100 CTA 150 ID	100	150	2	5,723	3002955
100 CTA 200 ID	100	200	2	6,498	3002956
100 CTA 250 ID	100	250	2	7,262	3002957
100 CTA 300 ID	100	300	2	8,030	3002958
100 CTA 400 ID	100	400	2	9,570	3002959
100 CTA 500 ID	100	500	2	11,130	3002960
100 CTA 600 ID	100	600	2	12,662	3002961



ID



Description	H (mm)	A (mm)	T (mm)	Weight (kg./pc)	Order Code
125 CTA 150 ID	125	150	2	6,650	3003620
125 CTA 200 ID	125	200	2	7,468	3003621
125 CTA 250 ID	125	250	2	8,287	3003622
125 CTA 300 ID	125	300	2	9,106	3003623
125 CTA 400 ID	125	400	2	10,744	3003624
125 CTA 500 ID	125	500	2	12,382	3003625
125 CTA 600 ID	125	600	2	14,020	3003626
<hr/>					
150 CTA 200 ID	150	200	2	8,461	3003627
150 CTA 250 ID	150	250	2	9,316	3003628
150 CTA 300 ID	150	300	2	10,170	3003629
150 CTA 400 ID	150	400	2	11,879	3003630
150 CTA 500 ID	150	500	2	13,588	3003631
150 CTA 600 ID	150	600	2	15,298	3003632

■ Please indicate order code in your orders.

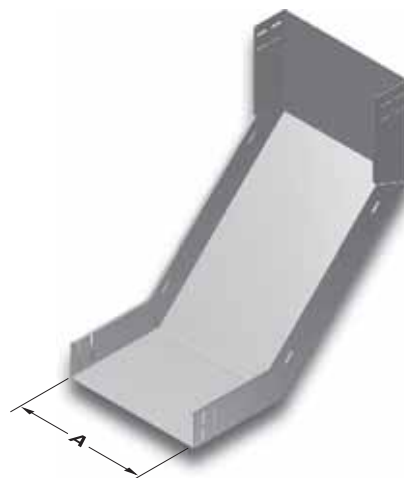
■ Material weights may vary by ± 10%

■ Please contact us for special size.

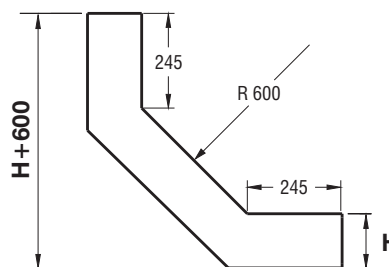
▶▶ CTA CONCAVE MODULE (90°) R=600

Hot Dip Galvanized After Fabrication (TS EN ISO 1461)

Description	H (mm)	A (mm)	T (mm)	Weight (kg./pc)	Order Code
040 CTA 050 ID	40	50	2	3,094	3002962
040 CTA 100 ID	40	100	2	4,001	3002963
040 CTA 150 ID	40	150	2	4,891	3002964
040 CTA 200 ID	40	200	2	5,789	3002965
040 CTA 250 ID	40	250	2	6,686	3002966
040 CTA 300 ID	40	300	2	7,586	3002967
040 CTA 400 ID	40	400	2	9,375	3002968
040 CTA 500 ID	40	500	2	11,182	3002969
040 CTA 600 ID	40	600	2	12,972	3002970
050 CTA 050 ID	50	50	2	3,482	3002971
050 CTA 100 ID	50	100	2	4,397	3002972
050 CTA 150 ID	50	150	2	5,305	3002973
050 CTA 200 ID	50	200	2	6,208	3002974
050 CTA 250 ID	50	250	2	7,125	3002975
050 CTA 300 ID	50	300	2	8,033	3002976
050 CTA 400 ID	50	400	2	9,862	3002977
050 CTA 500 ID	50	500	2	11,685	3002978
050 CTA 600 ID	50	600	2	13,518	3002979
060 CTA 100 ID	60	100	2	4,792	3002980
060 CTA 150 ID	60	150	2	5,719	3002981
060 CTA 200 ID	60	200	2	6,635	3002982
060 CTA 250 ID	60	250	2	7,557	3002983
060 CTA 300 ID	60	300	2	8,487	3002984
060 CTA 400 ID	60	400	2	10,342	3002985
060 CTA 500 ID	60	500	2	12,194	3002986
060 CTA 600 ID	60	600	2	14,039	3002987
075 CTA 100 ID	75	100	2	5,386	3002988
075 CTA 150 ID	75	150	2	6,334	3002989
075 CTA 200 ID	75	200	2	7,273	3002990
075 CTA 250 ID	75	250	2	8,238	3002991
075 CTA 300 ID	75	300	2	9,180	3002992
075 CTA 400 ID	75	400	2	11,072	3002993
075 CTA 500 ID	75	500	2	12,968	3002994
075 CTA 600 ID	75	600	2	14,851	3002995
100 CTA 100 ID	100	100	2	6,415	3002996
100 CTA 150 ID	100	150	2	7,405	3002997
100 CTA 200 ID	100	200	2	8,391	3002998
100 CTA 250 ID	100	250	2	9,363	3002999
100 CTA 300 ID	100	300	2	10,354	3003000
100 CTA 400 ID	100	400	2	12,318	3003001
100 CTA 500 ID	100	500	2	14,286	3003002
100 CTA 600 ID	100	600	2	16,253	3003003



ID



Description	H (mm)	A (mm)	T (mm)	Weight (kg./pc)	Order Code
125 CTA 150 ID	125	150	2	8,559	3003633
125 CTA 200 ID	125	200	2	9,592	3003634
125 CTA 250 ID	125	250	2	10,626	3003635
125 CTA 300 ID	125	300	2	11,659	3003636
125 CTA 400 ID	125	400	2	13,726	3003637
125 CTA 500 ID	125	500	2	15,793	3003638
125 CTA 600 ID	125	600	2	17,860	3003639
150 CTA 200 ID	150	200	2	10,800	3003640
150 CTA 250 ID	150	250	2	11,869	3003641
150 CTA 300 ID	150	300	2	12,938	3003642
150 CTA 400 ID	150	400	2	15,077	3003643
150 CTA 500 ID	150	500	2	17,215	3003644
150 CTA 600 ID	150	600	2	19,353	3003645

■ Please indicate order code in your orders.

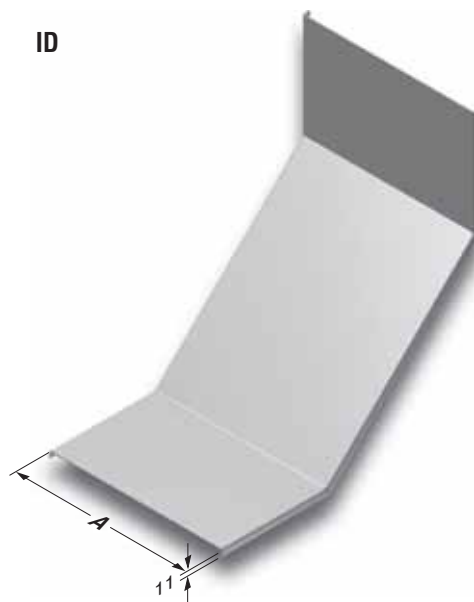
■ Material weights may vary by ± 10%

■ Please contact us for special size.

▶▶ CTA CONCAVE RISER MODULE COVER R=300

Hot Dip Galvanized After Fabrication (TS EN ISO 1461)

Description	A (mm)	T (mm)	Weight (kg./pc)	Order Code
CTA 050 ID COVER	55	2	0,609	3005112
CTA 100 ID COVER	105	2	1,035	3005113
CTA 150 ID COVER	155	2	1,462	3005114
CTA 200 ID COVER	205	2	1,888	3005115
CTA 250 ID COVER	255	2	2,314	3005116
CTA 300 ID COVER	305	2	2,740	3005117
CTA 400 ID COVER	405	2	3,593	3005118
CTA 500 ID COVER	505	2	4,444	3005119
CTA 600 ID COVER	605	2	5,297	3005120

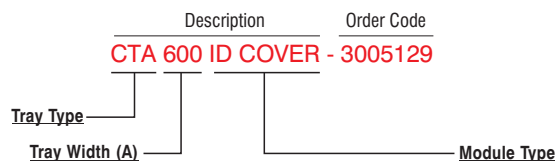


▶▶ CTA CONCAVE RISER MODULE COVER R=450

Hot Dip Galvanized After Fabrication (TS EN ISO 1461)

Description	A (mm)	T (mm)	Weight (kg./pc)	Order Code
CTA 050 ID COVER	55	2	0,916	3005121
CTA 100 ID COVER	105	2	1,557	3005122
CTA 150 ID COVER	155	2	2,198	3005123
CTA 200 ID COVER	205	2	2,838	3005124
CTA 250 ID COVER	255	2	3,478	3005125
CTA 300 ID COVER	305	2	4,119	3005126
CTA 400 ID COVER	405	2	5,400	3005127
CTA 500 ID COVER	505	2	6,682	3005128
CTA 600 ID COVER	605	2	7,963	3005129

Sample Order:



▶▶ CTA CONCAVE RISER MODULE COVER R=600

Hot Dip Galvanized After Fabrication (TS EN ISO 1461)

Description	A (mm)	T (mm)	Weight (kg./pc)	Order Code
CTA 050 ID COVER	55	2	1,223	3005130
CTA 100 ID COVER	105	2	2,078	3005131
CTA 150 ID COVER	155	2	2,933	3005132
CTA 200 ID COVER	205	2	3,788	3005133
CTA 250 ID COVER	255	2	4,643	3005134
CTA 300 ID COVER	305	2	5,498	3005135
CTA 400 ID COVER	405	2	7,209	3005136
CTA 500 ID COVER	505	2	8,919	3005137
CTA 600 ID COVER	605	2	10,629	3005138

■ Please indicate order code in your orders.

■ Material weights may vary by ± 10%

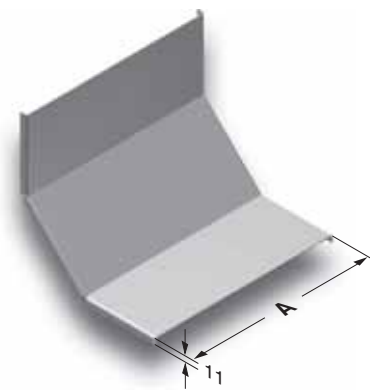
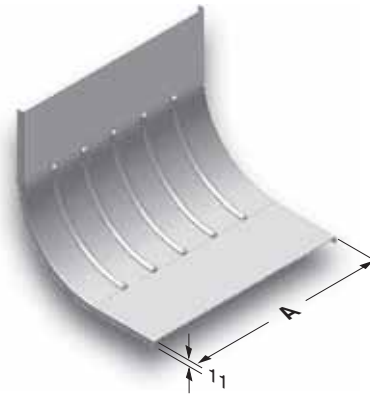
■ Please contact us for special size.

▶▶ CTA CONCAVE MODULE COVER (90°)

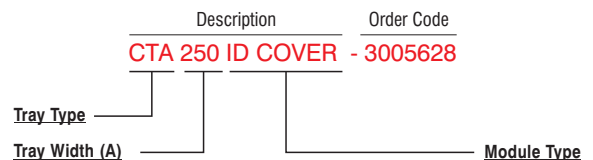
Hot Dip Galvanized After Fabrication (TS EN ISO 1461)

Description	A (mm)	T (mm)	Weight (kg./pc)	Order Code
CTA 050 ID COVER	55	2	0,512	3005450
CTA 100 ID COVER	105	2	0,845	3005634
CTA 150 ID COVER	155	2	1,178	3005632
CTA 200 ID COVER	205	2	1,510	3005630
CTA 250 ID COVER	255	2	1,843	3005628
CTA 300 ID COVER	305	2	2,176	3005626
CTA 400 ID COVER	405	2	2,841	3005624
CTA 500 ID COVER	505	2	3,506	3005622
CTA 600 ID COVER	605	2	4,172	3005620
<hr/>				
125 CTA 150 ID COVER	155	2	1,148	3002493
125 CTA 200 ID COVER	205	2	1,478	3002494
125 CTA 250 ID COVER	255	2	1,808	3002495
125 CTA 300 ID COVER	305	2	2,138	3002496
125 CTA 400 ID COVER	405	2	2,800	3002497
125 CTA 500 ID COVER	505	2	3,460	3002498
125 CTA 600 ID COVER	605	2	4,121	3002499
<hr/>				
150 CTA 200 ID COVER	205	2	1,478	3002494
150 CTA 250 ID COVER	255	2	1,808	3002495
150 CTA 300 ID COVER	305	2	2,138	3002496
150 CTA 400 ID COVER	405	2	2,800	3002497
150 CTA 500 ID COVER	505	2	3,460	3002498
150 CTA 600 ID COVER	605	2	4,121	3002499

ID



Sample Order:

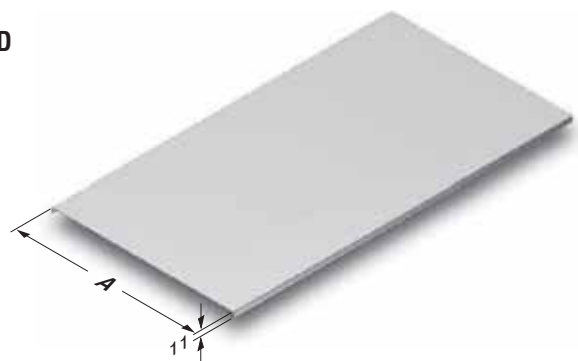


▶▶ CTA "T" WALL DESCENT MODULE COVER

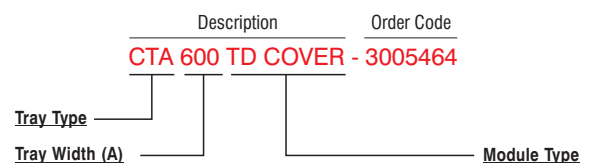
Hot Dip Galvanized After Fabrication (TS EN ISO 1461)

Description	A (mm)	T (mm)	Weight (kg./pc)	Order Code
CTA 050 TD COVER	55	2	0,638	3005444
CTA 100 TD COVER	105	2	1,172	3005478
CTA 150 TD COVER	155	2	1,792	3005476
CTA 200 TD COVER	205	2	2,305	3005474
CTA 250 TD COVER	255	2	3,055	3005472
CTA 300 TD COVER	305	2	4,175	3005470
CTA 400 TD COVER	405	2	5,459	3005468
CTA 500 TD COVER	505	2	6,744	3005466
CTA 600 TD COVER	605	2	8,028	3005464

TD



Sample Order:



■ Please indicate order code in your orders.

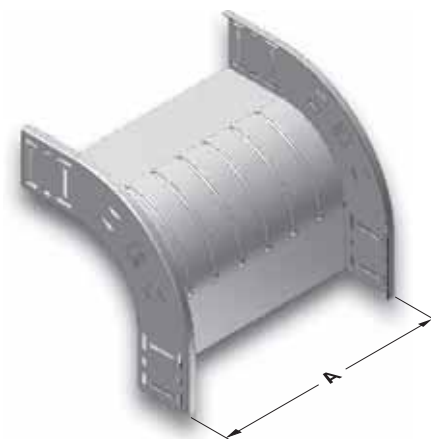
■ Material weights may vary by ± 10%

■ Please contact us for special size.

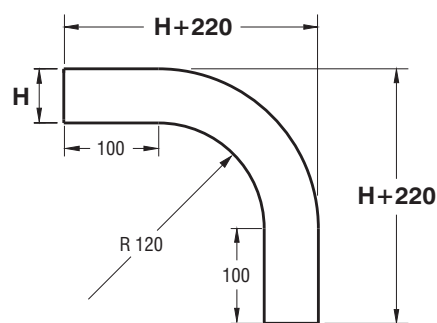
▶▶ CTA CONVEX MODULE (90°)

Hot Dip Galvanized After Fabrication (TS EN ISO 1461)

Description	H (mm)	A (mm)	T (mm)	Weight (kg./pc)	Order Code
040 CTA 050 DD	40	50	2	1,187	3005742
040 CTA 100 DD	40	100	2	1,528	3005786
040 CTA 150 DD	40	150	2	1,868	3005784
040 CTA 200 DD	40	200	2	2,208	3005782
040 CTA 250 DD	40	250	2	2,549	3005780
040 CTA 300 DD	40	300	2	2,889	3005778
040 CTA 400 DD	40	400	2	3,568	3006083
040 CTA 500 DD	40	500	2	4,249	3006081
040 CTA 600 DD	40	600	2	4,930	3006079
<hr/>					
050 CTA 050 DD	50	50	2	1,352	3001178
050 CTA 100 DD	50	100	2	1,693	3007578
050 CTA 150 DD	50	150	2	2,033	3007228
050 CTA 200 DD	50	200	2	2,373	3007576
050 CTA 250 DD	50	250	2	2,713	3007226
050 CTA 300 DD	50	300	2	3,054	3007574
050 CTA 400 DD	50	400	2	3,733	3007572
050 CTA 500 DD	50	500	2	4,414	3007570
050 CTA 600 DD	50	600	2	5,094	3007568
<hr/>					
060 CTA 100 DD	60	100	2	1,862	3005760
060 CTA 150 DD	60	150	2	2,203	3005758
060 CTA 200 DD	60	200	2	2,543	3005756
060 CTA 250 DD	60	250	2	2,883	3005754
060 CTA 300 DD	60	300	2	3,224	3005752
060 CTA 400 DD	60	400	2	3,904	3006067
060 CTA 500 DD	60	500	2	4,585	3006065
060 CTA 600 DD	60	600	2	5,265	3006063
<hr/>					
075 CTA 100 DD	75	100	2	2,129	3007224
075 CTA 150 DD	75	150	2	2,468	3007222
075 CTA 200 DD	75	200	2	2,808	3007566
075 CTA 250 DD	75	250	2	3,149	3007220
075 CTA 300 DD	75	300	2	3,489	3007564
075 CTA 400 DD	75	400	2	4,170	3007562
075 CTA 500 DD	75	500	2	4,850	3007560
075 CTA 600 DD	75	600	2	5,531	3007558
<hr/>					
100 CTA 100 DD	100	100	2	2,598	3001179
100 CTA 150 DD	100	150	2	2,938	3007218
100 CTA 200 DD	100	200	2	3,279	3007556
100 CTA 250 DD	100	250	2	3,619	3007216
100 CTA 300 DD	100	300	2	3,959	3007554
100 CTA 400 DD	100	400	2	4,640	3007552
100 CTA 500 DD	100	500	2	5,320	3007550
100 CTA 600 DD	100	600	2	6,001	3007548



DD



■ Please indicate order code in your orders.

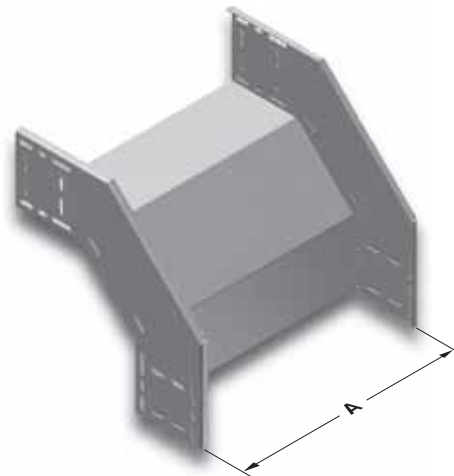
■ Material weights may vary by ± 10%

■ Please contact us for special size.

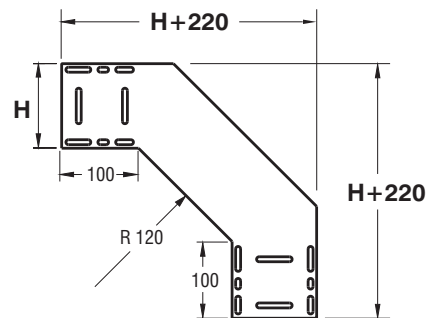
▶▶ CTA CONVEX MODULE (90°)

Hot Dip Galvanized After Fabrication (TS EN ISO 1461)

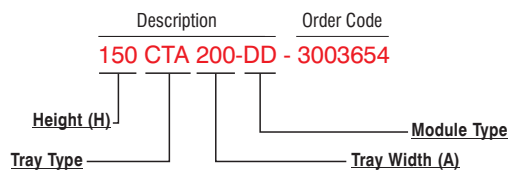
Description	H (mm)	A (mm)	T (mm)	Weight (kg./pc)	Order Code
125 CTA 150 DD	125	150	2	3,257	3003646
125 CTA 200 DD	125	200	2	3,590	3003647
125 CTA 250 DD	125	250	2	3,924	3003648
125 CTA 300 DD	125	300	2	4,257	3003649
125 CTA 400 DD	125	400	2	4,924	3003650
125 CTA 500 DD	125	500	2	5,590	3003651
125 CTA 600 DD	125	600	2	6,258	3003652
150 CTA 200 DD	150	200	2	4,129	3003653
150 CTA 250 DD	150	250	2	4,463	3003654
150 CTA 300 DD	150	300	2	4,796	3003655
150 CTA 400 DD	150	400	2	5,463	3003656
150 CTA 500 DD	150	500	2	6,129	3003657
150 CTA 600 DD	150	600	2	6,796	3003658



DD



Sample Order:
 Height (H): 150 mm,
 Tray Width (A): 200 mm,
 Sheet Metal Thickness (T): 2 mm,
 Type of Coating (S): Hot Dip Galvanized,
 Module Type: Convex Module.



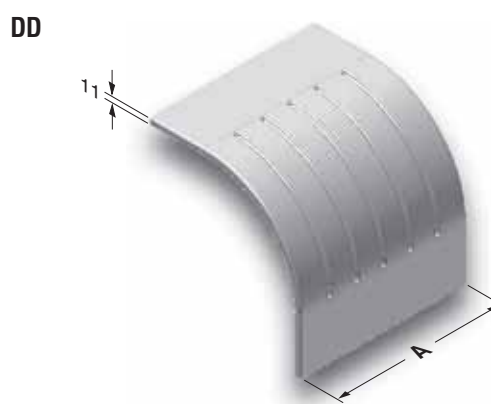
■ Please indicate order code in your orders.

■ Material weights may vary by ± 10%

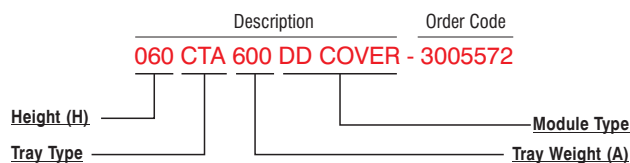
■ Please contact us for special size.

▶▶ CTA CONVEX MODULE COVER (90°) Hot Dip Galvanized After Fabrication (TS EN ISO 1461)

Description	A (mm)	T (mm)	Weight (kg./pc)	Order Code
040 CTA 050 DD COVER	55	2	0,596	3005448
040 CTA 100 DD COVER	105	2	0,983	3005618
040 CTA 150 DD COVER	155	2	1,370	3005616
040 CTA 200 DD COVER	205	2	1,757	3005614
040 CTA 250 DD COVER	255	2	2,143	3005612
040 CTA 300 DD COVER	305	2	2,530	3005610
040 CTA 400 DD COVER	405	2	3,304	3005608
040 CTA 500 DD COVER	505	2	4,078	3005606
040 CTA 600 DD COVER	605	2	4,852	3005604
050 CTA 050 DD COVER	55	2	0,617	3001172
050 CTA 100 DD COVER	105	2	1,017	3005602
050 CTA 150 DD COVER	155	2	1,418	3005600
050 CTA 200 DD COVER	205	2	1,818	3005598
050 CTA 250 DD COVER	255	2	2,219	3005596
050 CTA 300 DD COVER	305	2	2,619	3005594
050 CTA 400 DD COVER	405	2	3,420	3005592
050 CTA 500 DD COVER	505	2	4,221	3005590
050 CTA 600 DD COVER	605	2	5,022	3005588
060 CTA 100 DD COVER	105	2	1,052	3005586
060 CTA 150 DD COVER	155	2	1,466	3005584
060 CTA 200 DD COVER	205	2	1,880	3005582
060 CTA 250 DD COVER	255	2	2,294	3005580
060 CTA 300 DD COVER	305	2	2,708	3005578
060 CTA 400 DD COVER	405	2	3,536	3005576
060 CTA 500 DD COVER	505	2	4,364	3005574
060 CTA 600 DD COVER	605	2	5,192	3005572
075 CTA 100 DD COVER	105	2	1,103	3005570
075 CTA 150 DD COVER	155	2	1,538	3005442
075 CTA 200 DD COVER	205	2	1,972	3005568
075 CTA 250 DD COVER	255	2	2,406	3005440
075 CTA 300 DD COVER	305	2	2,841	3005566
075 CTA 400 DD COVER	405	2	3,709	3005564
075 CTA 500 DD COVER	505	2	4,578	3005562
075 CTA 600 DD COVER	605	2	5,447	3005560
100 CTA 100 DD COVER	105	2	1,189	3001173
100 CTA 150 DD COVER	155	2	1,658	3005438
100 CTA 200 DD COVER	205	2	2,126	3005558
100 CTA 250 DD COVER	255	2	2,594	3005436
100 CTA 300 DD COVER	305	2	3,062	3005556
100 CTA 400 DD COVER	405	2	3,999	3005554
100 CTA 500 DD COVER	505	2	4,935	3005552
100 CTA 600 DD COVER	605	2	5,872	3005550



Sample Order:



■ Please indicate order code in your orders.

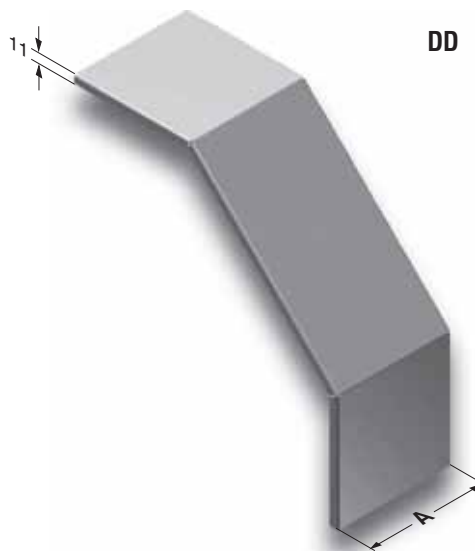
■ Material weights may vary by ± 10%

■ Please contact us for special size.

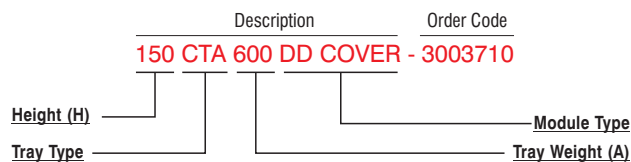
▶▶ CTA CONVEX MODULE COVER (90°)

Hot Dip Galvanized After Fabrication (TS EN ISO 1461)

Description	A (mm)	T (mm)	Weight (kg./pc)	Order Code
125 CTA 150 DD COVER	155	2	1,793	3003698
125 CTA 200 DD COVER	205	2	2,302	3003699
125 CTA 250 DD COVER	255	2	2,812	3003700
125 CTA 300 DD COVER	305	2	3,321	3003701
125 CTA 400 DD COVER	405	2	4,341	3003702
125 CTA 500 DD COVER	505	2	5,359	3003703
125 CTA 600 DD COVER	605	2	6,378	3003704
150 CTA 200 DD COVER	205	2	2,466	3003705
150 CTA 250 DD COVER	255	2	3,012	3003706
150 CTA 300 DD COVER	305	2	3,557	3003707
150 CTA 400 DD COVER	405	2	4,650	3003708
150 CTA 500 DD COVER	505	2	5,741	3003709
150 CTA 600 DD COVER	605	2	6,833	3003710



Sample Order:



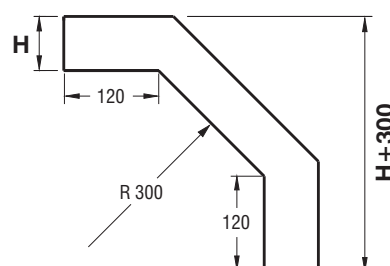
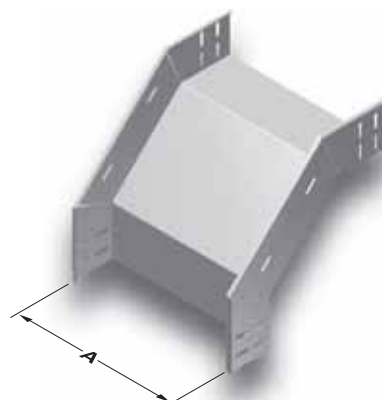
■ Please indicate order code in your orders.

■ Material weights may vary by ± 10%

■ Please contact us for special size.

▶▶ CTA CONVEX MODULE (90°) R=300 Hot Dip Galvanized After Fabrication (TS EN ISO 1461)

Description	H (mm)	A (mm)	T (mm)	Weight (kg./pc)	Order Code
040 CTA 050 DD	40	50	2	1,553	3003004
040 CTA 100 DD	40	100	2	1,980	3003005
040 CTA 150 DD	40	150	2	2,418	3003006
040 CTA 200 DD	40	200	2	2,827	3003007
040 CTA 250 DD	40	250	2	3,259	3003008
040 CTA 300 DD	40	300	2	3,692	3003009
040 CTA 400 DD	40	400	2	4,533	3003010
040 CTA 500 DD	40	500	2	5,386	3003011
040 CTA 600 DD	40	600	2	6,246	3003012
050 CTA 050 DD	50	50	2	1,748	3003013
050 CTA 100 DD	50	100	2	2,159	3003014
050 CTA 150 DD	50	150	2	2,592	3003015
050 CTA 200 DD	50	200	2	3,020	3003016
050 CTA 250 DD	50	250	2	3,434	3003017
050 CTA 300 DD	50	300	2	3,854	3003018
050 CTA 400 DD	50	400	2	4,718	3003019
050 CTA 500 DD	50	500	2	5,568	3003020
050 CTA 600 DD	50	600	2	6,413	3003021
060 CTA 100 DD	60	100	2	2,360	3003022
060 CTA 150 DD	60	150	2	2,690	3003023
060 CTA 200 DD	60	200	2	3,120	3003024
060 CTA 250 DD	60	250	2	3,538	3003025
060 CTA 300 DD	60	300	2	4,032	3003026
060 CTA 400 DD	60	400	2	4,868	3003027
060 CTA 500 DD	60	500	2	5,702	3003028
060 CTA 600 DD	60	600	2	6,542	3003029
075 CTA 100 DD	75	100	2	2,659	3003030
075 CTA 150 DD	75	150	2	3,076	3003031
075 CTA 200 DD	75	200	2	3,495	3003032
075 CTA 250 DD	75	250	2	3,916	3003033
075 CTA 300 DD	75	300	2	4,327	3003034
075 CTA 400 DD	75	400	2	5,172	3003035
075 CTA 500 DD	75	500	2	6,010	3003036
075 CTA 600 DD	75	600	2	6,848	3003037
100 CTA 100 DD	100	100	2	3,198	3003038
100 CTA 150 DD	100	150	2	3,626	3003039
100 CTA 200 DD	100	200	2	4,041	3003040
100 CTA 250 DD	100	250	2	4,457	3003041
100 CTA 300 DD	100	300	2	4,875	3003042
100 CTA 400 DD	100	400	2	5,719	3003043
100 CTA 500 DD	100	500	2	6,551	3003044
100 CTA 600 DD	100	600	2	7,396	3003045



DD

Description	H (mm)	A (mm)	T (mm)	Weight (kg./pc)	Order Code
125 CTA 150 DD	125	150	2	4,204	3003659
125 CTA 200 DD	125	200	2	4,629	3003660
125 CTA 250 DD	125	250	2	5,055	3003661
125 CTA 300 DD	125	300	2	5,480	3003662
125 CTA 400 DD	125	400	2	6,331	3003663
125 CTA 500 DD	125	500	2	7,182	3003664
125 CTA 600 DD	125	600	2	8,032	3003665
150 CTA 200 DD	150	200	2	5,264	3003666
150 CTA 250 DD	150	250	2	5,689	3003667
150 CTA 300 DD	150	300	2	6,115	3003668
150 CTA 400 DD	150	400	2	6,965	3003669
150 CTA 500 DD	150	500	2	7,817	3003670
150 CTA 600 DD	150	600	2	8,667	3003671

■ Please indicate order code in your orders.

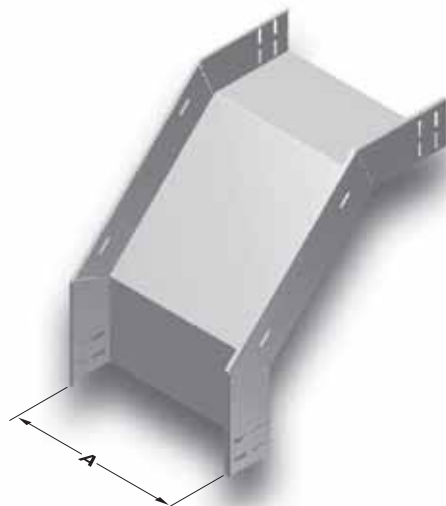
■ Material weights may vary by ± 10%

■ Please contact us for special size.

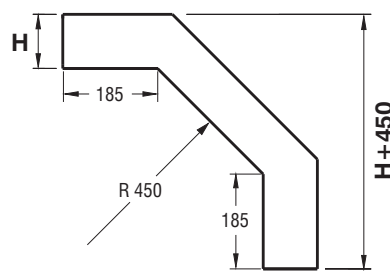
▶▶ CTA CONVEX MODULE (90°) R=450

Hot Dip Galvanized After Fabrication (TS EN ISO 1461)

Description	H (mm)	A (mm)	T (mm)	Weight (kg./pc)	Order Code
040 CTA 050 DD	40	50	2	2,311	3003046
040 CTA 100 DD	40	100	2	2,954	3003047
040 CTA 150 DD	40	150	2	3,582	3003048
040 CTA 200 DD	40	200	2	4,222	3003049
040 CTA 250 DD	40	250	2	4,852	3003050
040 CTA 300 DD	40	300	2	5,498	3003051
040 CTA 400 DD	40	400	2	6,769	3003052
040 CTA 500 DD	40	500	2	8,043	3003053
040 CTA 600 DD	40	600	2	9,312	3003054
050 CTA 050 DD	50	50	2	2,416	3003055
050 CTA 100 DD	50	100	2	3,191	3003056
050 CTA 150 DD	50	150	2	3,768	3003057
050 CTA 200 DD	50	200	2	4,457	3003058
050 CTA 250 DD	50	250	2	5,085	3003059
050 CTA 300 DD	50	300	2	5,723	3003060
050 CTA 400 DD	50	400	2	6,974	3003061
050 CTA 500 DD	50	500	2	8,248	3003062
050 CTA 600 DD	50	600	2	9,513	3003063
060 CTA 100 DD	60	100	2	3,495	3003064
060 CTA 150 DD	60	150	2	4,105	3003065
060 CTA 200 DD	60	200	2	4,744	3003066
060 CTA 250 DD	60	250	2	5,368	3003067
060 CTA 300 DD	60	300	2	5,999	3003068
060 CTA 400 DD	60	400	2	7,262	3003069
060 CTA 500 DD	60	500	2	8,532	3003070
060 CTA 600 DD	60	600	2	9,787	3003071
075 CTA 100 DD	75	100	2	3,934	3003072
075 CTA 150 DD	75	150	2	4,545	3003073
075 CTA 200 DD	75	200	2	5,171	3003074
075 CTA 250 DD	75	250	2	5,806	3003075
075 CTA 300 DD	75	300	2	6,442	3003076
075 CTA 400 DD	75	400	2	7,690	3003077
075 CTA 500 DD	75	500	2	8,954	3003078
075 CTA 600 DD	75	600	2	10,292	3003079
100 CTA 100 DD	100	100	2	4,678	3003080
100 CTA 150 DD	100	150	2	5,310	3003081
100 CTA 200 DD	100	200	2	5,929	3003082
100 CTA 250 DD	100	250	2	6,560	3003083
100 CTA 300 DD	100	300	2	7,184	3003084
100 CTA 400 DD	100	400	2	8,451	3003085
100 CTA 500 DD	100	500	2	9,715	3003086
100 CTA 600 DD	100	600	2	11,046	3003087



DD



Description	H (mm)	A (mm)	T (mm)	Weight (kg./pc)	Order Code
125 CTA 150 DD	125	150	2	6,113	3003672
125 CTA 200 DD	125	200	2	6,677	3003673
125 CTA 250 DD	125	250	2	7,535	3003674
125 CTA 300 DD	125	300	2	8,033	3003675
125 CTA 400 DD	125	400	2	9,313	3003676
125 CTA 500 DD	125	500	2	10,593	3003677
125 CTA 600 DD	125	600	2	11,873	3003678
150 CTA 200 DD	150	200	2	6,983	3003679
150 CTA 250 DD	150	250	2	8,242	3003680
150 CTA 300 DD	150	300	2	8,883	3003681
150 CTA 400 DD	150	400	2	10,163	3003682
150 CTA 500 DD	150	500	2	11,442	3003683
150 CTA 600 DD	150	600	2	12,723	3003684

■ Please indicate order code in your orders.

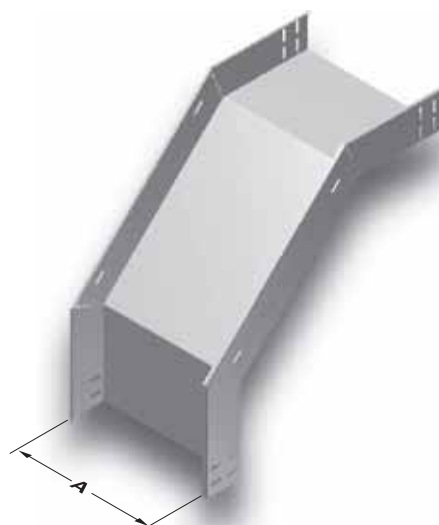
■ Material weights may vary by ± 10%

■ Please contact us for special size.

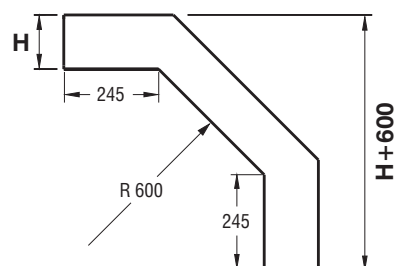
▶▶ CTA CONVEX MODULE (90°) R=600

Hot Dip Galvanized After Fabrication (TS EN ISO 1461)

Description	H (mm)	A (mm)	T (mm)	Weight (kg./pc)	Order Code
040 CTA 050 DD	40	50	2	3,039	3003088
040 CTA 100 DD	40	100	2	3,875	3003089
040 CTA 150 DD	40	150	2	4,719	3003090
040 CTA 200 DD	40	200	2	5,556	3003091
040 CTA 250 DD	40	250	2	6,403	3003092
040 CTA 300 DD	40	300	2	7,245	3003093
040 CTA 400 DD	40	400	2	8,923	3003094
040 CTA 500 DD	40	500	2	10,607	3003095
040 CTA 600 DD	40	600	2	12,296	3003096
050 CTA 050 DD	50	50	2	3,402	3003097
050 CTA 100 DD	50	100	2	4,249	3003098
050 CTA 150 DD	50	150	2	5,088	3003099
050 CTA 200 DD	50	200	2	5,935	3003100
050 CTA 250 DD	50	250	2	6,767	3003101
050 CTA 300 DD	50	300	2	7,613	3003102
050 CTA 400 DD	50	400	2	9,297	3003103
050 CTA 500 DD	50	500	2	10,986	3003104
050 CTA 600 DD	50	600	2	12,661	3003105
060 CTA 100 DD	60	100	2	4,616	3003106
060 CTA 150 DD	60	150	2	5,456	3003107
060 CTA 200 DD	60	200	2	6,293	3003108
060 CTA 250 DD	60	250	2	7,146	3003109
060 CTA 300 DD	60	300	2	7,978	3003110
060 CTA 400 DD	60	400	2	9,662	3003111
060 CTA 500 DD	60	500	2	11,343	3003112
060 CTA 600 DD	60	600	2	13,030	3003113
075 CTA 100 DD	75	100	2	5,172	3003114
075 CTA 150 DD	75	150	2	6,008	3003115
075 CTA 200 DD	75	200	2	6,853	3003116
075 CTA 250 DD	75	250	2	7,689	3003117
075 CTA 300 DD	75	300	2	8,538	3003118
075 CTA 400 DD	75	400	2	10,228	3003119
075 CTA 500 DD	75	500	2	11,903	3003120
075 CTA 600 DD	75	600	2	13,588	3003121
100 CTA 100 DD	100	100	2	6,145	3003122
100 CTA 150 DD	100	150	2	6,966	3003123
100 CTA 200 DD	100	200	2	7,823	3003124
100 CTA 250 DD	100	250	2	8,667	3003125
100 CTA 300 DD	100	300	2	9,510	3003126
100 CTA 400 DD	100	400	2	11,189	3003127
100 CTA 500 DD	100	500	2	12,872	3003128
100 CTA 600 DD	100	600	2	14,560	3003129



DD



Description	H (mm)	A (mm)	T (mm)	Weight (kg./pc)	Order Code
125 CTA 150 DD	125	150	2	7,382	3003685
125 CTA 200 DD	125	200	2	8,022	3003686
125 CTA 250 DD	125	250	2	9,732	3003687
125 CTA 300 DD	125	300	2	10,586	3003688
125 CTA 400 DD	125	400	2	12,296	3003689
125 CTA 500 DD	125	500	2	14,005	3003690
125 CTA 600 DD	125	600	2	15,714	3003691
150 CTA 200 DD	150	200	2	9,941	3003692
150 CTA 250 DD	150	250	2	10,795	3003693
150 CTA 300 DD	150	300	2	11,650	3003694
150 CTA 400 DD	150	400	2	13,360	3003695
150 CTA 500 DD	150	500	2	15,069	3003696
150 CTA 600 DD	150	600	2	16,778	3003697

■ Please indicate order code in your orders.

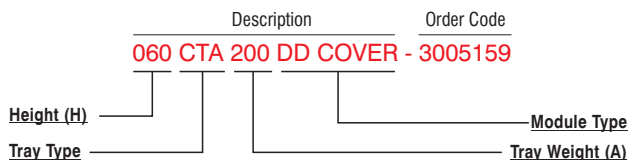
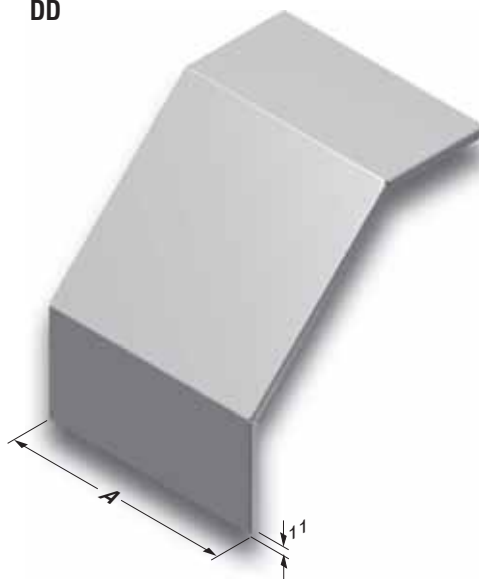
■ Material weights may vary by ± 10%

■ Please contact us for special size.

▶▶ CTA CONVEX MODULE COVER R=300 Hot Dip Galvanized After Fabrication (TS EN ISO 1461)

Description	A (mm)	T (mm)	Weight (kg./pc)	Order Code
040 CTA 050 DD COVER	50	2	0,696	3005139
040 CTA 100 DD COVER	100	2	1,179	3005140
040 CTA 150 DD COVER	150	2	1,663	3005141
040 CTA 200 DD COVER	200	2	2,146	3005142
040 CTA 250 DD COVER	250	2	2,629	3005143
040 CTA 300 DD COVER	300	2	3,113	3005144
040 CTA 400 DD COVER	400	2	4,079	3005145
040 CTA 500 DD COVER	500	2	5,046	3005146
040 CTA 600 DD COVER	600	2	6,013	3005147
050 CTA 050 DD COVER	50	2	0,717	3005148
050 CTA 100 DD COVER	100	2	1,214	3005149
050 CTA 150 DD COVER	150	2	1,712	3005150
050 CTA 200 DD COVER	200	2	2,210	3005151
050 CTA 250 DD COVER	250	2	2,707	3005152
050 CTA 300 DD COVER	300	2	3,205	3005153
050 CTA 400 DD COVER	400	2	4,200	3005154
050 CTA 500 DD COVER	500	2	5,195	3005155
050 CTA 600 DD COVER	600	2	6,190	3005156
060 CTA 100 DD COVER	100	2	1,249	3005157
060 CTA 150 DD COVER	150	2	1,761	3005158
060 CTA 200 DD COVER	200	2	2,273	3005159
060 CTA 250 DD COVER	250	2	2,785	3005160
060 CTA 300 DD COVER	300	2	3,297	3005161
060 CTA 400 DD COVER	400	2	4,321	3005162
060 CTA 500 DD COVER	500	2	5,345	3005163
060 CTA 600 DD COVER	600	2	6,368	3005164
075 CTA 100 DD COVER	100	2	1,301	3005165
075 CTA 150 DD COVER	150	2	1,835	3005166
075 CTA 200 DD COVER	200	2	2,368	3005167
075 CTA 250 DD COVER	250	2	2,902	3005168
075 CTA 300 DD COVER	300	2	3,435	3005169
075 CTA 400 DD COVER	400	2	4,502	3005170
075 CTA 500 DD COVER	500	2	5,568	3005171
075 CTA 600 DD COVER	600	2	6,635	3005172
100 CTA 100 DD COVER	100	2	1,389	3005173
100 CTA 150 DD COVER	150	2	1,958	3005174
100 CTA 200 DD COVER	200	2	2,527	3005175
100 CTA 250 DD COVER	250	2	3,096	3005176
100 CTA 300 DD COVER	300	2	3,665	3005177
100 CTA 400 DD COVER	400	2	4,803	3005178
100 CTA 500 DD COVER	500	2	5,942	3005179
100 CTA 600 DD COVER	600	2	7,080	3005180

DD



Description	A (mm)	T (mm)	Weight (kg./pc)	Order Code
125 CTA 150 DD COVER	150	2	2,081	3005181
125 CTA 200 DD COVER	200	2	2,686	3005182
125 CTA 250 DD COVER	250	2	3,291	3005183
125 CTA 300 DD COVER	300	2	3,895	3005184
125 CTA 400 DD COVER	400	2	5,105	3005185
125 CTA 500 DD COVER	500	2	6,315	3005186
125 CTA 600 DD COVER	600	2	7,525	3005187
150 CTA 200 DD COVER	200	2	2,844	3005188
150 CTA 250 DD COVER	250	2	3,485	3005189
150 CTA 300 DD COVER	300	2	4,126	3005190
150 CTA 400 DD COVER	400	2	5,407	3005191
150 CTA 500 DD COVER	500	2	6,688	3005192
150 CTA 600 DD COVER	600	2	7,969	3005193

■ Please indicate order code in your orders.

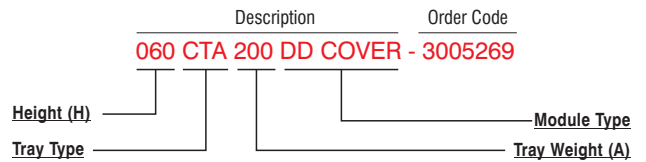
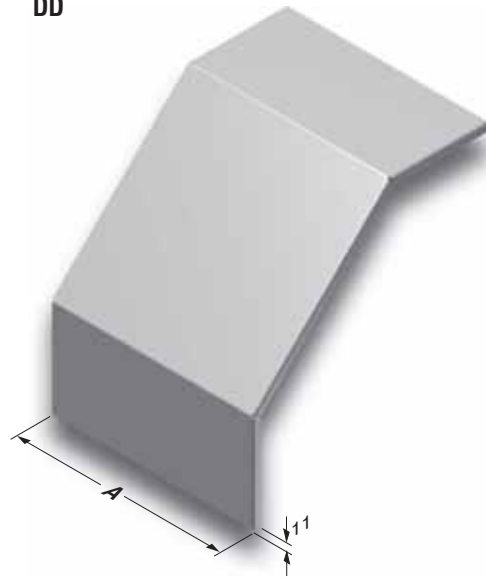
■ Material weights may vary by ± 10%

■ Please contact us for special size.

▶▶ CTA CONVEX MODULE COVER R=600 Hot Dip Galvanized After Fabrication (TS EN ISO 1461)

Description	A (mm)	T (mm)	Weight (kg./pc)	Order Code
040 CTA 050 DD COVER	50	2	1,314	3005249
040 CTA 100 DD COVER	100	2	2,226	3005250
040 CTA 150 DD COVER	150	2	3,138	3005251
040 CTA 200 DD COVER	200	2	4,051	3005252
040 CTA 250 DD COVER	250	2	4,963	3005253
040 CTA 300 DD COVER	300	2	5,875	3005254
040 CTA 400 DD COVER	400	2	7,700	3005255
040 CTA 500 DD COVER	500	2	9,525	3005256
040 CTA 600 DD COVER	600	2	11,349	3005257
050 CTA 050 DD COVER	50	2	1,334	3005258
050 CTA 100 DD COVER	100	2	2,261	3005259
050 CTA 150 DD COVER	150	2	3,188	3005260
050 CTA 200 DD COVER	200	2	4,114	3005261
050 CTA 250 DD COVER	250	2	5,041	3005262
050 CTA 300 DD COVER	300	2	5,967	3005263
050 CTA 400 DD COVER	400	2	7,821	3005264
050 CTA 500 DD COVER	500	2	9,674	3005265
050 CTA 600 DD COVER	600	2	11,527	3005266
060 CTA 100 DD COVER	100	2	2,296	3005267
060 CTA 150 DD COVER	150	2	3,237	3005268
060 CTA 200 DD COVER	200	2	4,178	3005269
060 CTA 250 DD COVER	250	2	5,119	3005270
060 CTA 300 DD COVER	300	2	6,059	3005271
060 CTA 400 DD COVER	400	2	7,941	3005272
060 CTA 500 DD COVER	500	2	9,823	3005273
060 CTA 600 DD COVER	600	2	11,705	3005274
075 CTA 100 DD COVER	100	2	2,348	3005275
075 CTA 150 DD COVER	150	2	3,311	3005276
075 CTA 200 DD COVER	200	2	4,273	3005277
075 CTA 250 DD COVER	250	2	5,235	3005278
075 CTA 300 DD COVER	300	2	6,198	3005279
075 CTA 400 DD COVER	400	2	8,122	3005280
075 CTA 500 DD COVER	500	2	10,047	3005281
075 CTA 600 DD COVER	600	2	11,972	3005282
100 CTA 100 DD COVER	100	2	2,435	3005283
100 CTA 150 DD COVER	150	2	3,433	3005284
100 CTA 200 DD COVER	200	2	4,432	3005285
100 CTA 250 DD COVER	250	2	5,430	3005286
100 CTA 300 DD COVER	300	2	6,428	3005287
100 CTA 400 DD COVER	400	2	8,424	3005288
100 CTA 500 DD COVER	500	2	10,420	3005289
100 CTA 600 DD COVER	600	2	12,416	3005290

DD



Description	A (mm)	T (mm)	Weight (kg./pc)	Order Code
125 CTA 150 DD COVER	150	2	3,556	3005291
125 CTA 200 DD COVER	200	2	4,590	3005292
125 CTA 250 DD COVER	250	2	5,624	3005293
125 CTA 300 DD COVER	300	2	6,658	3005294
125 CTA 400 DD COVER	400	2	8,726	3005295
125 CTA 500 DD COVER	500	2	10,793	3005296
125 CTA 600 DD COVER	600	2	12,861	3005297
150 CTA 200 DD COVER	200	2	4,749	3005298
150 CTA 250 DD COVER	250	2	5,819	3005299
150 CTA 300 DD COVER	300	2	6,888	3005300
150 CTA 400 DD COVER	400	2	9,027	3005301
150 CTA 500 DD COVER	500	2	11,167	3005302
150 CTA 600 DD COVER	600	2	13,306	3005303

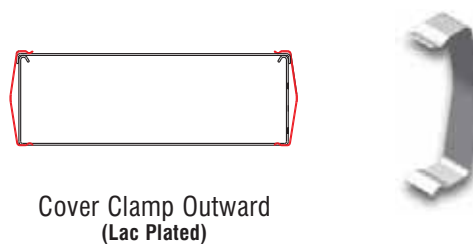
■ Please indicate order code in your orders.

■ Material weights may vary by ± 10%

■ Please contact us for special size.

▶▶ CT CABLE TRAY COVER CLAMPS

Description	Weight (kg./pc)	Order Code
040 COVER CLAMP (OUTER)	0,010	1004254
050 COVER CLAMP (OUTER)	0,013	1004184
060 COVER CLAMP (OUTER)	0,015	1004253
075 COVER CLAMP (OUTER)	0,019	1004183
100 COVER CLAMP (OUTER)	0,026	1004182
125 COVER CLAMP (OUTER)	0,035	1004180
150 COVER CLAMP (OUTER)	0,042	1004181



▶▶ CABLE TRAY JOINT BOLT SET

Description	Weight (kg./set)	Order Code
JOINT BOLT SET M6	0,009	1004314

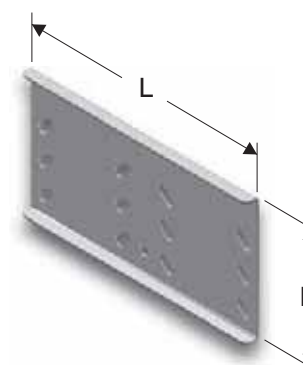


- Includes: 1 bolt set 1 unit M6x12 dished head bolt + 1 unit M6 flanged bolt nut. Standard Lac Plated.

▶▶ CT JOINT FITTING

Hot Dip Galvanized (TS EN ISO 1461)

Description	H (mm)	L (mm)	T (mm)	Weight (kg./pc)	Order Code
40 CT JOINT FITTING	40	210	2	0,212	3006945
50 CT JOINT FITTING	50	210	2	0,244	3006943
60 CT JOINT FITTING	60	210	2	0,284	3006941
75 CT JOINT FITTING	75	210	2	0,331	3006939
100 CT JOINT FITTING	100	210	2	0,412	3006937
125 CT JOINT FITTING	125	192	2	0,496	3003311
150 CT JOINT FITTING	150	210	2	0,579	3003312
40 CTH JOINT FITTING	40	200	1,5	0,163	3006167
50 CTH JOINT FITTING	50	200	1,5	0,188	3006165
60 CTH JOINT FITTING	60	200	1,5	0,217	3006163

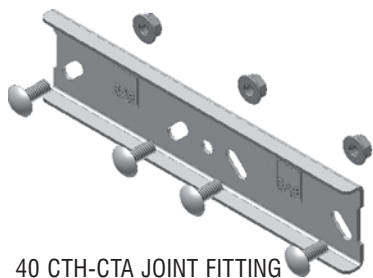


Joint Fitting Outward

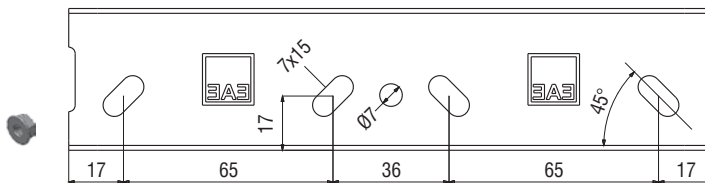
See next page for technical drawings.

- Please contact us for special size.
- Please indicate order code in your orders.

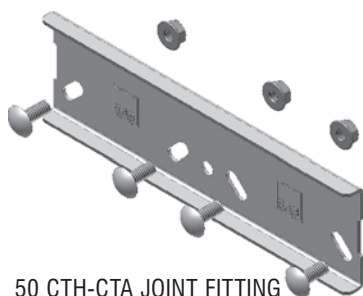
- Recommended spacing for outward clamps is 2 metres
- Material weights may vary by $\pm 10\%$



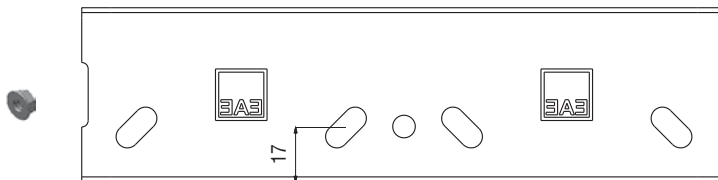
40 CTH-CTA JOINT FITTING



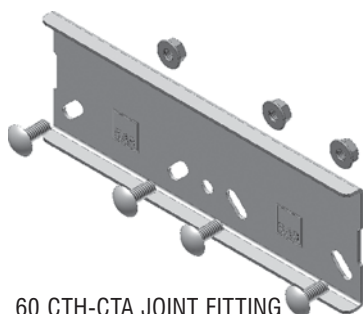
For H=40 joint; 4 M6x12 bolts and 4 M6 nuts should be used.



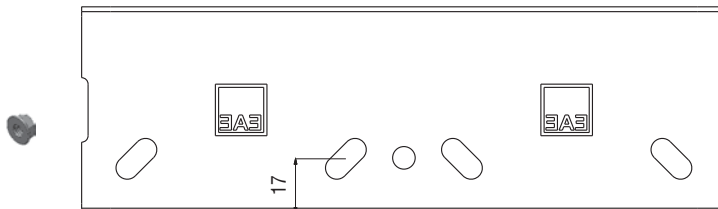
50 CTH-CTA JOINT FITTING



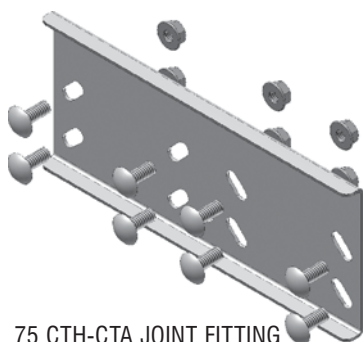
For H=50 joint; 4 M6x12 bolts and 4 M6 nuts should be used.



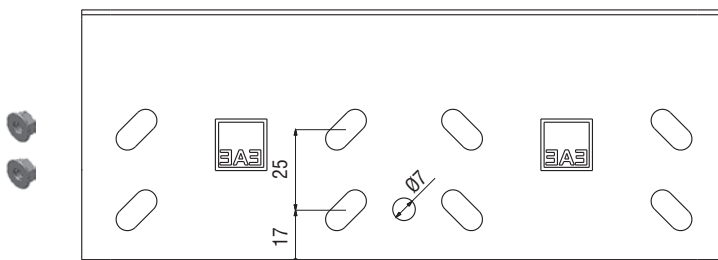
60 CTH-CTA JOINT FITTING



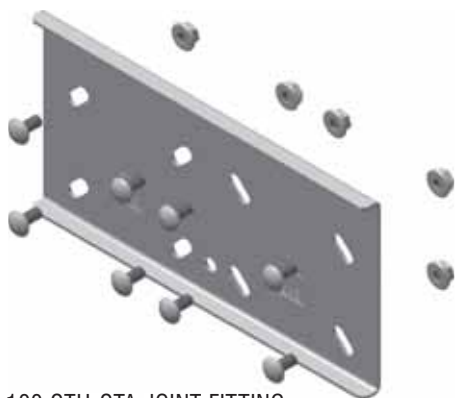
For H=60 joint; 4 M6x12 bolts and 4 M6 nuts should be used.



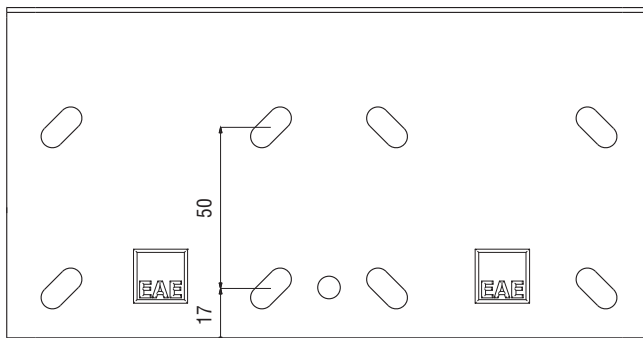
75 CTH-CTA JOINT FITTING



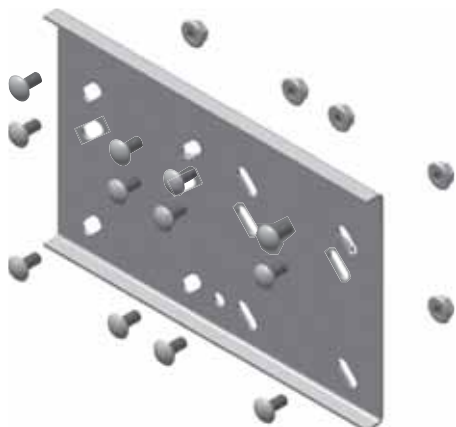
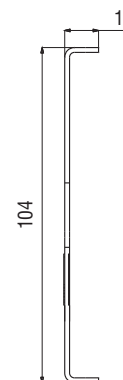
For H=75 joint; 8 M6x12 bolts and 8 M6 nuts should be used.



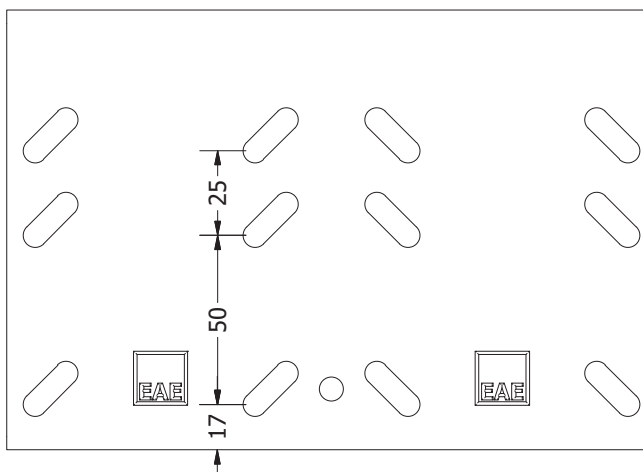
100 CTH-CTA JOINT FITTING



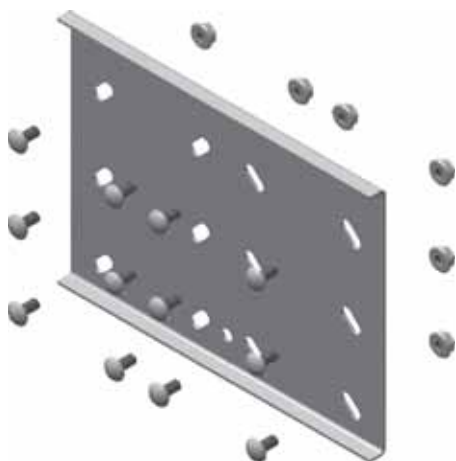
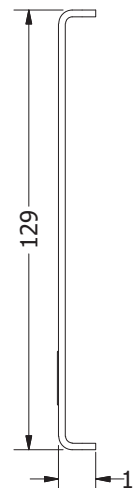
For H=100 joint; 8 M6x12 bolts and 8 M6 nuts should be used.



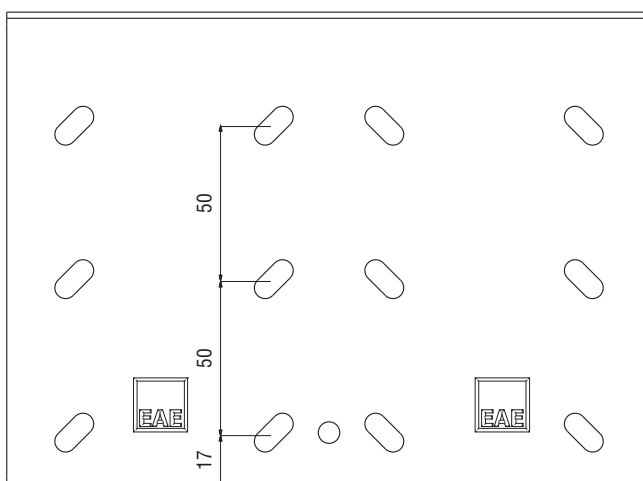
125 CTH-CTA JOINT FITTING



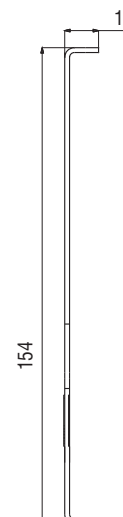
For H=125 joint; 12 M6x12 bolts and 12 M6 nuts should be used.



150 CTH-CTA JOINT FITTING



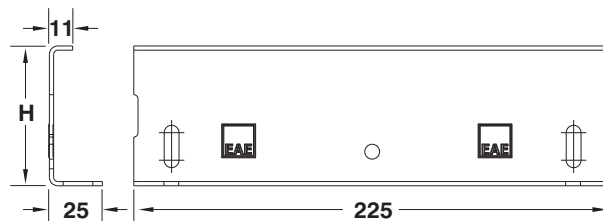
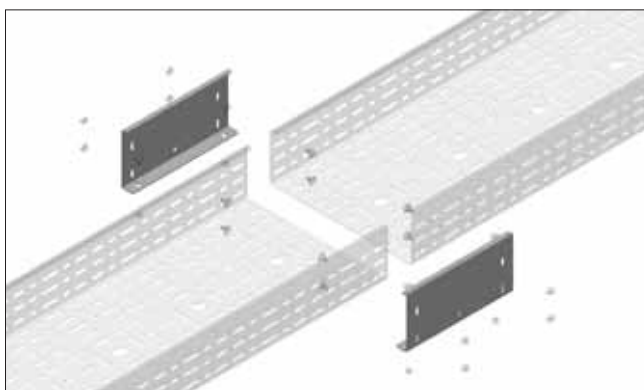
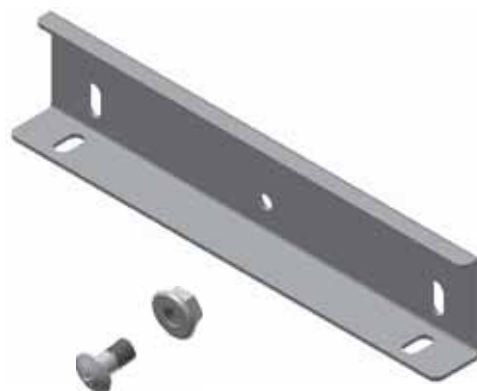
For H=150 joint; 12 M6x12 bolts and 12 M6 nuts should be used.



►► CT EXPANSION SET

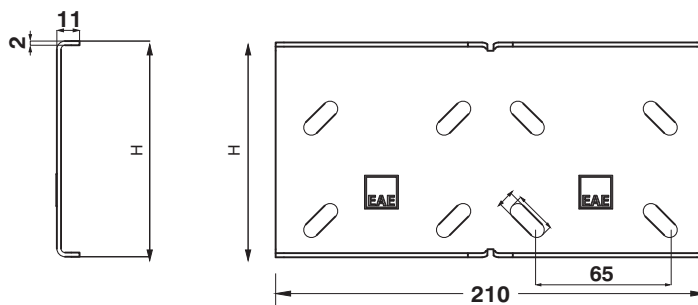
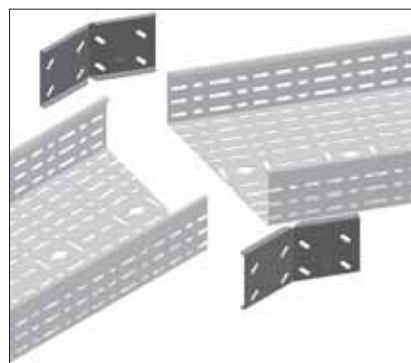
Hot Dip Galvanized After Fabrication (TS EN ISO 1461)

Description	Joining Ladder Thickness (mm)	H (mm)	T (mm)	Weight (kg./set.)	Order Code
40 CT EXPANSION SET	1 - 1,2	40	2	0,622	3006612
40 CT EXPANSION SET	1,5 - 2	40	2	0,622	3006615
50 CT EXPANSION SET	1 - 1,2	50	2	0,698	3006613
50 CT EXPANSION SET	1,5 - 2	50	2	0,698	3006616
60 CT EXPANSION SET	1 - 1,2	60	2	0,777	3006614
60 CT EXPANSION SET	1,5 - 2	60	2	0,777	3006617
75 CT EXPANSION SET	1,5 - 2	75	2	0,905	3006618
100 CT EXPANSION SET	1,5 - 2	100	2	1,098	3006619
125 CT EXPANSION SET	1,5 - 2	125	2	1,304	3006620
150 CT EXPANSION SET	1,5 - 2	150	2	1,510	3006621



►► CT NOTCHED JOINT FITTING

Description	H (mm)	Weight (kg./set.)	Order Code
040 CTA HINGED JOINT FITTING	40	0,205	3187841
050 CTA HINGED JOINT FITTING	40	0,241	3187842
060 CTA HINGED JOINT FITTING	50	0,278	3187843
075 CTA HINGED JOINT FITTING	50	0,322	3187844
100 CTA HINGED JOINT FITTING	60	0,413	3187845
125 CTA HINGED JOINT FITTING	60	0,484	3187846
150 CTA HINGED JOINT FITTING	75	0,584	3187847



■ The expansion set allows 35mm expansion.

■ In an expansion set of 40-50-60-75-100 sizes, 2 pieces of expansion joint fitting and 8 pieces of special bolts and nuts are used.

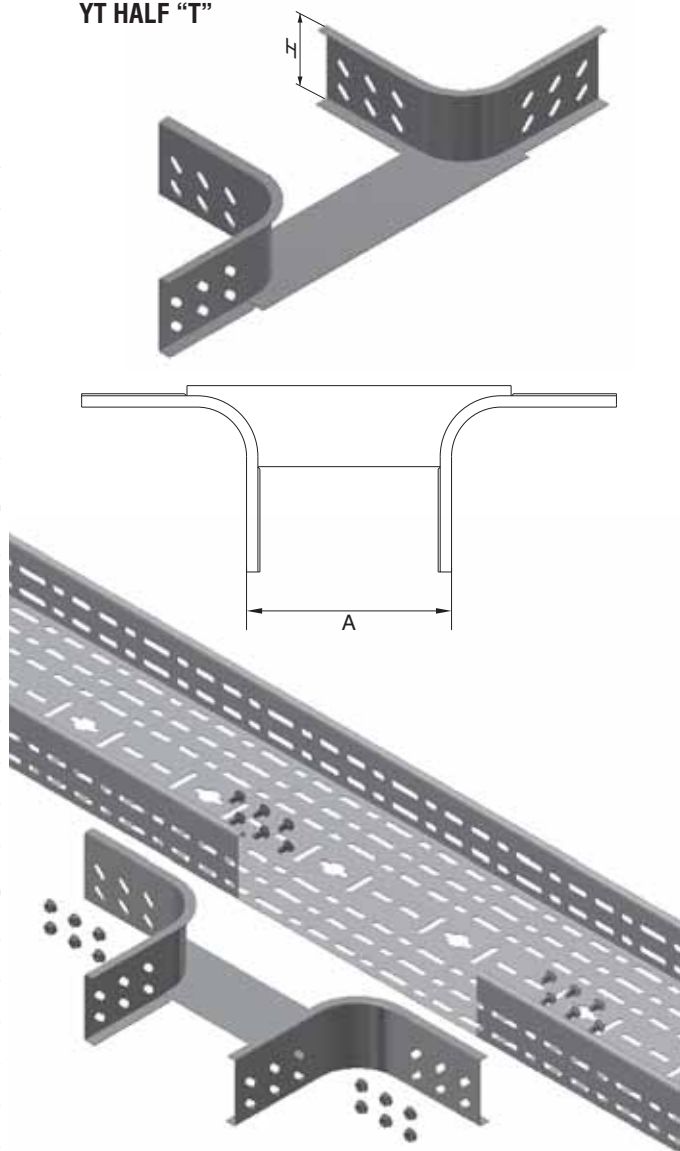
In an expansion set of 125-150 sizes, 2 pieces of expansion attachment and 12 pieces of special type bolts and nuts are used.

▶▶ CTE HALF "T" MODULE

Hot Dip Galvanized After Fabrication (TS EN ISO 1461)

Description	H (mm)	A (mm)	T (mm)	Weight (kg./set.)	Order Code
40 CTE 50 HALF "T" MODULE	40	50	1,2	0,492	3086483
40 CTE 100 HALF "T" MODULE	40	100	1,2	0,534	3086484
40 CTE 150 HALF "T" MODULE	40	150	1,2	0,575	3086485
40 CTE 200 HALF "T" MODULE	40	200	1,2	0,616	3086486
40 CTE 250 HALF "T" MODULE	40	250	1,2	0,658	3086487
40 CTE 300 HALF "T" MODULE	40	300	1,2	0,700	3086488
40 CTE 400 HALF "T" MODULE	40	400	1,2	0,782	3086489
40 CTE 500 HALF "T" MODULE	40	500	1,2	0,865	3086490
40 CTE 600 HALF "T" MODULE	40	600	1,2	0,948	3086491
50 CTE 50 HALF "T" MODULE	50	50	1,2	0,556	3086492
50 CTE 100 HALF "T" MODULE	50	100	1,2	0,597	3086493
50 CTE 150 HALF "T" MODULE	50	150	1,2	0,638	3086494
50 CTE 200 HALF "T" MODULE	50	200	1,2	0,680	3086495
50 CTE 250 HALF "T" MODULE	50	250	1,2	0,722	3086496
50 CTE 300 HALF "T" MODULE	50	300	1,2	0,762	3086497
50 CTE 400 HALF "T" MODULE	50	400	1,2	0,846	3086498
50 CTE 500 HALF "T" MODULE	50	500	1,2	0,928	3086499
50 CTE 600 HALF "T" MODULE	50	600	1,2	1,011	3086500
60 CTE 100 HALF "T" MODULE	60	100	1,2	0,635	3086501
60 CTE 150 HALF "T" MODULE	60	150	1,2	0,675	3086502
60 CTE 200 HALF "T" MODULE	60	200	1,2	0,744	3086503
60 CTE 250 HALF "T" MODULE	60	250	1,2	0,784	3086504
60 CTE 300 HALF "T" MODULE	60	300	1,2	0,826	3086505
60 CTE 400 HALF "T" MODULE	60	400	1,2	0,909	3086506
60 CTE 500 HALF "T" MODULE	60	500	1,2	0,966	3086507
60 CTE 600 HALF "T" MODULE	60	600	1,2	1,075	3086508
75 CTE 100 HALF "T" MODULE	75	100	1,2	0,716	3086509
75 CTE 150 HALF "T" MODULE	75	150	1,2	0,757	3086510
75 CTE 200 HALF "T" MODULE	75	200	1,2	0,799	3086511
75 CTE 250 HALF "T" MODULE	75	250	1,2	0,840	3086512
75 CTE 300 HALF "T" MODULE	75	300	1,2	0,881	3086513
75 CTE 400 HALF "T" MODULE	75	400	1,2	0,965	3086514
75 CTE 500 HALF "T" MODULE	75	500	1,2	1,047	3086515
75 CTE 600 HALF "T" MODULE	75	600	1,2	1,131	3086516
100 CTE 100 HALF "T" MODULE	100	100	1,2	0,876	3086517
100 CTE 150 HALF "T" MODULE	100	150	1,2	0,917	3086518
100 CTE 200 HALF "T" MODULE	100	200	1,2	0,959	3086519
100 CTE 250 HALF "T" MODULE	100	250	1,2	1,000	3086520
100 CTE 300 HALF "T" MODULE	100	300	1,2	1,042	3086521
100 CTE 400 HALF "T" MODULE	100	400	1,2	1,124	3086522
100 CTE 500 HALF "T" MODULE	100	500	1,2	1,208	3086523
100 CTE 600 HALF "T" MODULE	100	600	1,2	1,290	3086524

YT HALF "T"



Description	H (mm)	A (mm)	T (mm)	Weight (kg./set.)	Order Code
125 CTE 150 HALF "T" MODULE	125	150	1,2	1,225	3086525
125 CTE 200 HALF "T" MODULE	125	200	1,2	1,267	3086526
125 CTE 250 HALF "T" MODULE	125	250	1,2	1,308	3086527
125 CTE 300 HALF "T" MODULE	125	300	1,2	1,350	3086528
125 CTE 400 HALF "T" MODULE	125	400	1,2	1,432	3086529
125 CTE 500 HALF "T" MODULE	125	500	1,2	1,516	3086530
125 CTE 600 HALF "T" MODULE	125	600	1,2	1,598	3086531
150 CTE 200 HALF "T" MODULE	150	200	1,2	1,438	3086532
150 CTE 250 HALF "T" MODULE	150	250	1,2	1,478	3086533
150 CTE 300 HALF "T" MODULE	150	300	1,2	1,520	3086534
150 CTE 400 HALF "T" MODULE	150	400	1,2	1,603	3086535
150 CTE 500 HALF "T" MODULE	150	500	1,2	1,686	3086536
150 CTE 600 HALF "T" MODULE	150	600	1,2	1,769	3086537

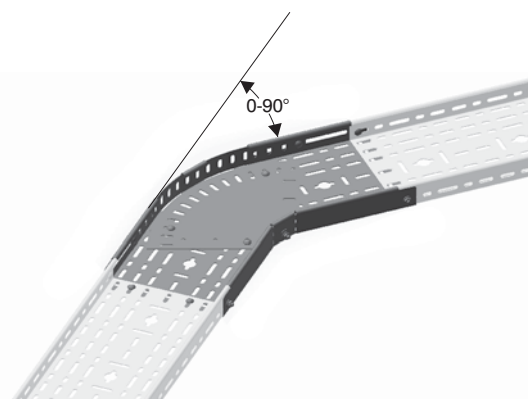
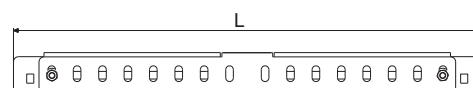
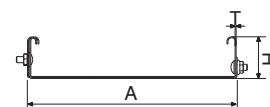
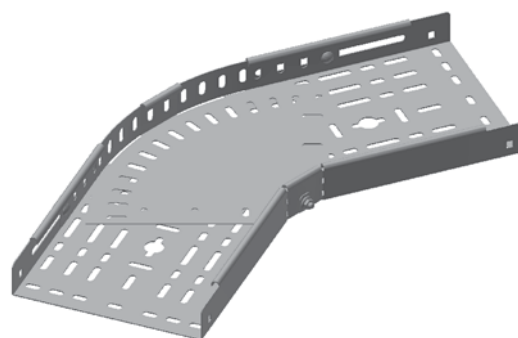
- Please indicate order code in your orders.
- Please contact us for special size.
- Material weights may vary by $\pm 10\%$

▶▶ CT FLEXIBLE ELBOW MODULE

Hot Dip Galvanized After Fabrication (TS EN ISO 1461)



Description	A (mm)	L (mm)	T (mm)	Weight (kg./set.)	M6X12 (set./pc)	Order Code
40 CT 100 FLEXIBLE ELBOW	100	310	1	0,71	4	3134535
40 CT 150 FLEXIBLE ELBOW	150	390	1	1,13	4	3134536
40 CT 200 FLEXIBLE ELBOW	200	460	1	1,53	4	3134540
40 CT 300 FLEXIBLE ELBOW	300	610	1,2	2,92	4	3134541
40 CT 400 FLEXIBLE ELBOW	400	790	1,2	4,71	4	3134542
40 CT 500 FLEXIBLE ELBOW	500	930	1,5	10,19	6	3134543
40 CT 600 FLEXIBLE ELBOW	600	1090	1,5	14,04	6	3134544
50 CT 100 FLEXIBLE ELBOW	100	310	1	0,77	4	3134545
50 CT 150 FLEXIBLE ELBOW	150	390	1	1,20	4	3134546
50 CT 200 FLEXIBLE ELBOW	200	460	1	1,70	4	3134547
50 CT 300 FLEXIBLE ELBOW	300	610	1,2	3,06	4	3134548
50 CT 400 FLEXIBLE ELBOW	400	790	1,2	4,90	4	3134549
50 CT 500 FLEXIBLE ELBOW	500	930	1,5	10,52	6	3134550
50 CT 600 FLEXIBLE ELBOW	600	1090	1,5	14,43	6	3134551
60 CT 100 FLEXIBLE ELBOW	100	310	1	0,84	4	3134552
60 CT 150 FLEXIBLE ELBOW	150	390	1	1,29	4	3134553
60 CT 200 FLEXIBLE ELBOW	200	460	1	1,80	4	3134554
60 CT 300 FLEXIBLE ELBOW	300	610	1,2	3,21	4	3134555
60 CT 400 FLEXIBLE ELBOW	400	790	1,2	5,09	4	3134556
60 CT 500 FLEXIBLE ELBOW	500	930	1,5	10,85	6	3134557
60 CT 600 FLEXIBLE ELBOW	600	1090	1,5	14,82	6	3134558
75 CT 100 FLEXIBLE ELBOW	100	310	1	0,920	4	3134559
75 CT 150 FLEXIBLE ELBOW	150	390	1	1,390	4	3134560
75 CT 200 FLEXIBLE ELBOW	200	460	1	1,940	4	3134561
75 CT 300 FLEXIBLE ELBOW	300	610	1,2	3,420	4	3134562
75 CT 400 FLEXIBLE ELBOW	400	790	1,2	5,360	4	3134563
75 CT 500 FLEXIBLE ELBOW	500	930	1,5	11,330	6	3134564
75 CT 600 FLEXIBLE ELBOW	600	1090	1,5	15,290	6	3134565
100 CT 100 FLEXIBLE ELBOW	100	310	1	1,08	4	3134566
100 CT 150 FLEXIBLE ELBOW	150	390	1	1,59	4	3134567
100 CT 200 FLEXIBLE ELBOW	200	460	1	2,20	4	3134568
100 CT 300 FLEXIBLE ELBOW	300	610	1,2	3,79	4	3134569
100 CT 400 FLEXIBLE ELBOW	400	790	1,2	5,84	4	3134570
100 CT 500 FLEXIBLE ELBOW	500	930	1,5	12,15	6	3134571
100 CT 600 FLEXIBLE ELBOW	600	1090	1,5	16,36	6	3134572



Order information note: H: 3 sets of M6x12 bolts at 40-50-60 heights are shipped in modular form. H: 5 sets of M6x12 bolts at 75-100 heights are shipped in modular form. After setting the angle, the M6x12 bolts that must be used on the base, have to be ordered separately, at the number as indicated on the table above.

■ Please indicate order code in your orders.

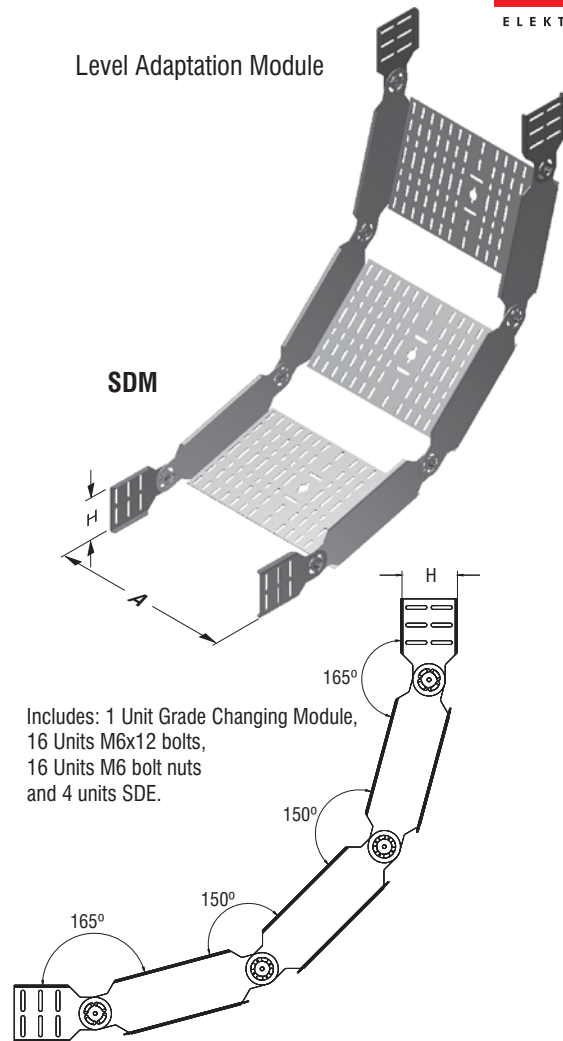
■ Material weights may vary by ± 10%

▶▶ CT LEVEL ADAPTATION MODULE

Hot Dip Galvanized After Fabrication (TS EN ISO 1461)

Description	H (mm)	A (mm)	T (mm)	Weight (kg./set.)	Order Code
040 CT 050 SDM	40	50	2	3,023	3005390
040 CT 100 SDM	40	100	2	3,534	3005388
040 CT 150 SDM	40	150	2	4,046	3005386
040 CT 200 SDM	40	200	2	4,557	3005384
040 CT 250 SDM	40	250	2	5,069	3005382
040 CT 300 SDM	40	300	2	5,577	3005380
040 CT 400 SDM	40	400	2	6,600	3005378
040 CT 500 SDM	40	500	2	7,623	3005376
040 CT 600 SDM	40	600	2	8,646	3005374
<hr/>					
050 CT 050 SDM	50	50	2	3,366	3001193
050 CT 100 SDM	50	100	2	3,878	3006707
050 CT 150 SDM	50	150	2	4,389	3006705
050 CT 200 SDM	50	200	2	4,901	3006703
050 CT 250 SDM	50	250	2	5,412	3006701
050 CT 300 SDM	50	300	2	5,920	3006699
050 CT 400 SDM	50	400	2	6,943	3006697
050 CT 500 SDM	50	500	2	7,966	3006695
050 CT 600 SDM	50	600	2	8,989	3006693
<hr/>					
060 CT 100 SDM	60	100	2	4,335	3005372
060 CT 150 SDM	60	150	2	4,847	3005370
060 CT 200 SDM	60	200	2	5,358	3005368
060 CT 250 SDM	60	250	2	5,870	3005366
060 CT 300 SDM	60	300	2	6,378	3005364
060 CT 400 SDM	60	400	2	7,401	3005362
060 CT 500 SDM	60	500	2	8,424	3005360
060 CT 600 SDM	60	600	2	9,447	3005358
<hr/>					
075 CT 100 SDM	75	100	2	4,901	3006691
075 CT 150 SDM	75	150	2	5,412	3006689
075 CT 200 SDM	75	200	2	5,924	3006687
075 CT 250 SDM	75	250	2	6,435	3006685
075 CT 300 SDM	75	300	2	6,943	3006683
075 CT 400 SDM	75	400	2	7,966	3006681
075 CT 500 SDM	75	500	2	8,989	3006679
075 CT 600 SDM	75	600	2	10,012	3006677
<hr/>					
100 CT 100 SDM	100	100	2	5,704	3001194
100 CT 150 SDM	100	150	2	6,215	3006675
100 CT 200 SDM	100	200	2	6,727	3006673
100 CT 250 SDM	100	250	2	7,238	3006671
100 CT 300 SDM	100	300	2	7,746	3006669
100 CT 400 SDM	100	400	2	8,769	3006667
100 CT 500 SDM	100	500	2	9,792	3006665
100 CT 600 SDM	100	600	2	10,815	3006663

Level Adaptation Module



Includes: 1 Unit Grade Changing Module,
16 Units M6x12 bolts,
16 Units M6 bolt nuts
and 4 units SDE.

Description	H (mm)	A (mm)	T (mm)	Weight (kg./set.)	Order Code
125 CT 150 SDM	125	150	2	6,821	3003313
125 CT 200 SDM	125	200	2	7,528	3003314
125 CT 250 SDM	125	250	2	8,235	3003315
125 CT 300 SDM	125	300	2	8,942	3003316
125 CT 400 SDM	125	400	2	10,355	3003317
125 CT 500 SDM	125	500	2	11,769	3003318
125 CT 600 SDM	125	600	2	13,182	3003319
<hr/>					
150 CT 200 SDM	150	200	2	7,974	3003320
150 CT 250 SDM	150	250	2	8,722	3003321
150 CT 300 SDM	150	300	2	8,976	3003322
150 CT 400 SDM	150	400	2	10,969	3003323
150 CT 500 SDM	150	500	2	12,465	3003324
150 CT 600 SDM	150	600	2	13,962	3003325

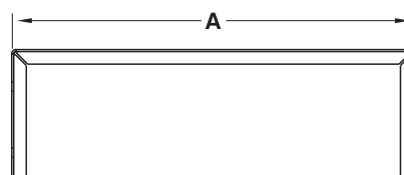
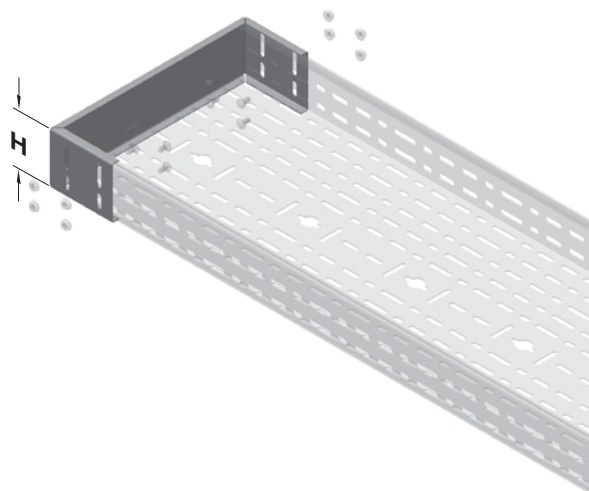
■ Please indicate order code in your orders.

■ Material weights may vary by ± 10%

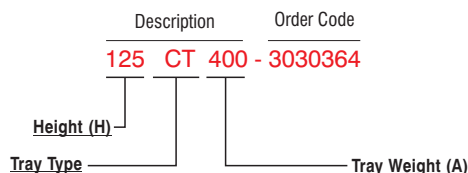
▶▶ CT TERMINATION MODULE

Hot Dip Galvanized After Fabrication (TS EN ISO 1461)

Description	H (mm)	A (mm)	T (mm)	Weight (kg./set.)	Order Code
040 CT 050	40	50	1,5	0,184	3030318
040 CT 100	40	100	1,5	0,223	3030319
040 CT 150	40	150	1,5	0,264	3030320
040 CT 200	40	200	1,5	0,304	3030321
040 CT 250	40	250	1,5	0,344	3030322
040 CT 300	40	300	1,5	0,385	3030323
040 CT 400	40	400	1,5	0,465	3030324
040 CT 500	40	500	1,5	0,546	3030325
040 CT 600	40	600	1,5	0,626	3030326
050 CT 050	50	50	1,5	0,216	3030327
050 CT 100	50	100	1,5	0,263	3030328
050 CT 150	50	150	1,5	0,309	3030329
050 CT 200	50	200	1,5	0,356	3030330
050 CT 250	50	250	1,5	0,403	3030331
050 CT 300	50	300	1,5	0,449	3030332
050 CT 400	50	400	1,5	0,542	3030333
050 CT 500	50	500	1,5	0,636	3030334
050 CT 600	50	600	1,5	0,729	3030335
060 CT 100	60	100	1,5	0,295	3030336
060 CT 150	60	150	1,5	0,348	3030337
060 CT 200	60	200	1,5	0,402	3030338
060 CT 250	60	250	1,5	0,454	3030339
060 CT 300	60	300	1,5	0,507	3030340
060 CT 400	60	400	1,5	0,614	3030341
060 CT 500	60	500	1,5	0,721	3030342
060 CT 600	60	600	1,5	0,826	3030343
075 CT 100	75	100	1,5	0,348	3030344
075 CT 150	75	150	1,5	0,410	3030345
075 CT 200	75	200	1,5	0,474	3030346
075 CT 250	75	250	1,5	0,537	3030347
075 CT 300	75	300	1,5	0,600	3030348
075 CT 400	75	400	1,5	0,725	3030349
075 CT 500	75	500	1,5	0,851	3030350
075 CT 600	75	600	1,5	0,977	3030351
100 CT 100	100	100	1,5	0,444	3030352
100 CT 150	100	150	1,5	0,523	3030353
100 CT 200	100	200	1,5	0,602	3030354
100 CT 250	100	250	1,5	0,681	3030355
100 CT 300	100	300	1,5	0,760	3030356
100 CT 400	100	400	1,5	0,919	3030357
100 CT 500	100	500	1,5	1,077	3030358
100 CT 600	100	600	1,5	1,235	3030359



Sample Order:



Description	H (mm)	A (mm)	T (mm)	Weight (kg./set.)	Order Code
125 CT 150	125	150	1,5	0,635	3030360
125 CT 200	125	200	1,5	0,729	3030361
125 CT 250	125	250	1,5	0,825	3030362
125 CT 300	125	300	1,5	0,921	3030363
125 CT 400	125	400	1,5	1,111	3030364
125 CT 500	125	500	1,5	1,301	3030365
125 CT 600	125	600	1,5	1,492	3030366
150 CT 200	150	200	1,5	0,853	3030367
150 CT 250	150	250	1,5	0,964	3030368
150 CT 300	150	300	1,5	1,075	3030369
150 CT 400	150	400	1,5	1,298	3030370
150 CT 500	150	500	1,5	1,521	3030371
150 CT 600	150	600	1,5	1,744	3030372

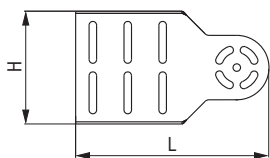
■ Please indicate order code in your orders.

■ Material weights may vary by ± 10%

▶▶ CT LEVEL ADAPTATION JOINT

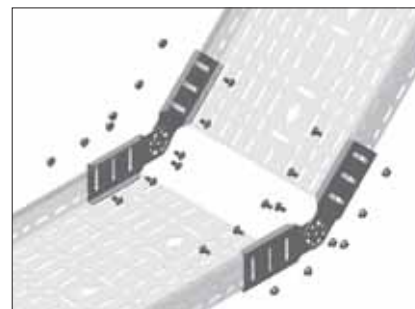
Hot Dip Galvanized After Fabrication (TS EN ISO 1461)

Description	H (mm)	T (mm)	Weight (kg./set)	Order Code
40 CT-SDE	40	2	0,512	3005394
50 CT-SDE	50	2	0,592	3006951
60 CT-SDE	60	2	0,652	3005392
75 CT-SDE	75	2	0,856	3006949
100 CT-SDE	100	2	1,028	3006947
125 CT-SDE	125	2	1,113	3003326
150 CT-SDE	150	2	1,309	3003327



40/50/60 CT-SDE L=160
75/100 CT-SDE L=180

Grade Changing Connector Set

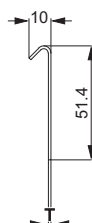
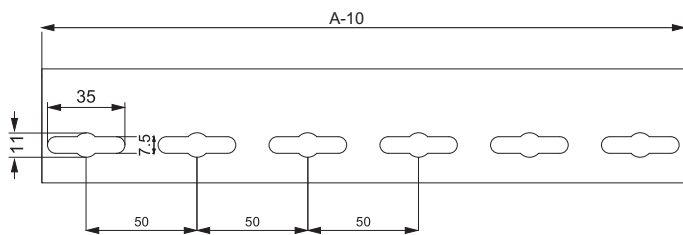
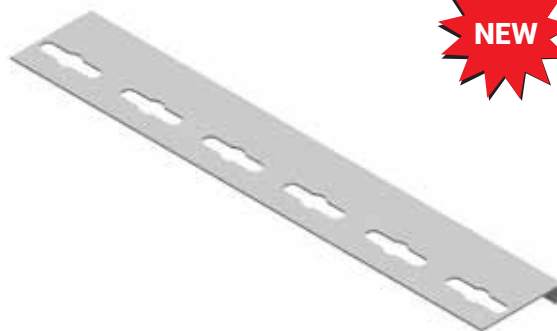


Level adaptation joint set contains right and left vertical adjustable joint units and 4 M6x12 bolt set

▶▶ CT SDE ELBOW PROTECTION PLATE

Hot Dip Galvanized After Fabrication (TS EN ISO 1461)

Description	A (mm)	T (mm)	Weight (kg./pc.)	Order Code
CT SDE ELBOW PROTECTION PLATE 100	100	1,2	0,059	3135694
CT SDE ELBOW PROTECTION PLATE 150	150	1,2	0,091	3135695
CT SDE ELBOW PROTECTION PLATE 200	200	1,2	0,125	3135696
CT SDE ELBOW PROTECTION PLATE 250	250	1,2	0,156	3135697
CT SDE ELBOW PROTECTION PLATE 300	300	1,2	0,190	3135698
CT SDE ELBOW PROTECTION PLATE 400	400	1,2	0,256	3135699
CT SDE ELBOW PROTECTION PLATE 500	500	1,2	0,321	3135700
CT SDE ELBOW PROTECTION PLATE 600	600	1,2	0,387	3135701



■ Please indicate order code in your orders.

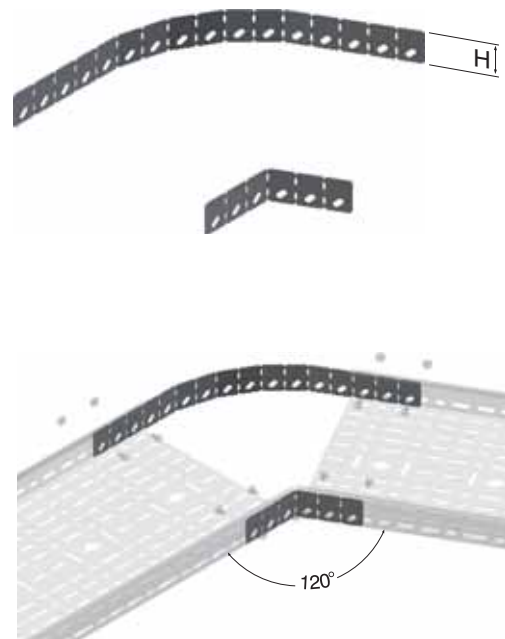
■ Material weights may vary by ± 10%

■ Please contact us for special size.

▶▶ CT-KC-KM FLEXIBLE JOINT

Hot Dip Galvanized After Fabrication (TS EN ISO 1461)

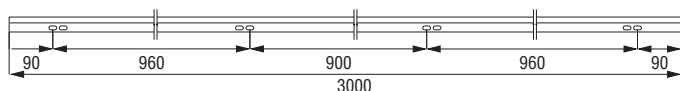
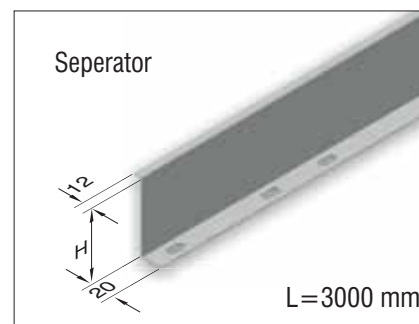
Description	H (mm)	T (mm)	Weight (kg./set.)	Order Code
40 FLEXIBLE JOINT (50-100-150-200-250-300)	33	1,2	0,212	3046727
40 FLEXIBLE JOINT (400-500-600)	33	1,2	0,309	3046728
50 FLEXIBLE JOINT (50-100-150-200-250-300)	44	1,2	0,280	3046729
50 FLEXIBLE JOINT (400-500-600)	44	1,2	0,408	3046730
60 FLEXIBLE JOINT (100-150-200-250-300)	53	1,2	0,354	3046731
60 FLEXIBLE JOINT (400-500-600)	53	1,2	0,514	3046732
75 FLEXIBLE JOINT (100-150-200-250-300)	64	1,2	0,466	3046733
75 FLEXIBLE JOINT (400-500-600)	64	1,2	0,677	3046734
100 FLEXIBLE JOINT (100-150-200-250-300)	94	1,2	0,638	3046735
100 FLEXIBLE JOINT (400-500-600)	94	1,2	0,927	3046736
125 FLEXIBLE JOINT (150-200-250-300)	119	1,2	0,783	3046737
125 FLEXIBLE JOINT (400-500-600)	119	1,2	1,138	3046738
150 FLEXIBLE JOINT (200-250-300)	144	1,2	0,947	3046739
150 FLEXIBLE JOINT (400-500-600)	144	1,2	1,371	3046740



▶▶ CT SEPARATOR

Hot Dip Galvanized After Fabrication (TS EN ISO 1461)

Description	H (mm)	T (mm)	Weight (kg./m.)	Order Code
040 CT SEPARATOR	35	1,2	0,626	3005834
050 CT SEPARATOR	45	1,2	0,728	3006954
060 CT SEPARATOR	55	1,2	0,833	3005833
075 CT SEPARATOR	70	1,2	0,991	3006953
100 CT SEPARATOR	95	1,2	1,271	3006952
125 CT SEPARATOR	120	1,2	1,551	3003330
150 CT SEPARATOR	145	1,2	1,831	3003331



■ Please indicate order code in your orders.

■ Material weights may vary by ± 10%

■ Be applied to a maximum angle of 120°.

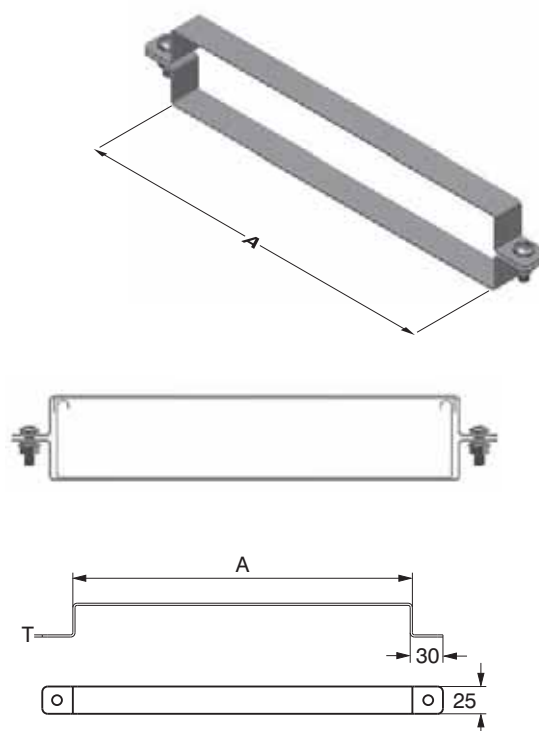
■ Please contact us for special size.

▶▶ CTH-CTA OMEGA CLAMP

Hot Dip Galvanized (TS EN ISO 1461)

Description	A	T (mm)	Weight (kg/set)	Order Code
40 CTH-CTA OMEGA CLAMP 50	61	2	0,123	3137730
40 CTH-CTA OMEGA CLAMP 100	111	2	0,167	3137731
40 CTH-CTA OMEGA CLAMP 150	161	2	0,211	3137732
40 CTH-CTA OMEGA CLAMP 200	211	2	0,253	3137733
40 CTH-CTA OMEGA CLAMP 250	261	2	0,297	3137734
40 CTH-CTA OMEGA CLAMP 300	311	2	0,341	3137735
40 CTH-CTA OMEGA CLAMP 400	411	2	0,427	3137736
40 CTH-CTA OMEGA CLAMP 500	511	2	0,513	3137737
40 CTH-CTA OMEGA CLAMP 600	611	2	0,598	3137738
50 CTH-CTA OMEGA CLAMP 50	61	2	0,132	3137739
50 CTH-CTA OMEGA CLAMP 100	111	2	0,176	3137740
50 CTH-CTA OMEGA CLAMP 150	161	2	0,220	3137741
50 CTH-CTA OMEGA CLAMP 200	211	2	0,262	3137742
50 CTH-CTA OMEGA CLAMP 250	261	2	0,306	3137743
50 CTH-CTA OMEGA CLAMP 300	311	2	0,350	3137744
50 CTH-CTA OMEGA CLAMP 400	411	2	0,436	3137745
50 CTH-CTA OMEGA CLAMP 500	511	2	0,521	3137747
50 CTH-CTA OMEGA CLAMP 600	611	2	0,607	3137748
60 CTH-CTA OMEGA CLAMP 100	111	2	0,185	3137795
60 CTH-CTA OMEGA CLAMP 150	161	2	0,229	3137796
60 CTH-CTA OMEGA CLAMP 200	211	2	0,271	3137797
60 CTH-CTA OMEGA CLAMP 250	261	2	0,315	3137798
60 CTH-CTA OMEGA CLAMP 300	311	2	0,356	3137799
60 CTH-CTA OMEGA CLAMP 400	411	2	0,444	3137800
60 CTH-CTA OMEGA CLAMP 500	511	2	0,530	3137801
60 CTH-CTA OMEGA CLAMP 600	611	2	0,616	3137802
75 CTH-CTA OMEGA CLAMP 100	111	2	0,198	3137803
75 CTH-CTA OMEGA CLAMP 150	161	2	0,240	3137804
75 CTH-CTA OMEGA CLAMP 200	211	2	0,284	3137805
75 CTH-CTA OMEGA CLAMP 250	261	2	0,328	3137806
75 CTH-CTA OMEGA CLAMP 300	311	2	0,370	3137807
75 CTH-CTA OMEGA CLAMP 400	411	2	0,458	3137808
75 CTH-CTA OMEGA CLAMP 500	511	2	0,543	3137809
75 CTH-CTA OMEGA CLAMP 600	611	2	0,629	3137811
100 CTH-CTA OMEGA CLAMP 100	111	2	0,220	3137812
100 CTH-CTA OMEGA CLAMP 150	161	2	0,262	3137813
100 CTH-CTA OMEGA CLAMP 200	211	2	0,306	3137814
100 CTH-CTA OMEGA CLAMP 250	261	2	0,350	3137815
100 CTH-CTA OMEGA CLAMP 300	311	2	0,392	3137816
100 CTH-CTA OMEGA CLAMP 400	411	2	0,477	3137817
100 CTH-CTA OMEGA CLAMP 500	511	2	0,565	3137818
100 CTH-CTA OMEGA CLAMP 600	611	2	0,651	3137819

CTH-CTA Tray Cover Grip Clamp



Note: Bolt set is included in the product delivered.

Description	A	T (mm)	Weight (kg/set)	Order Code
125 CTH-CTA OMEGA CLAMP 100	111	2	0,240	3137820
125 CTH-CTA OMEGA CLAMP 150	161	2	0,284	3137821
125 CTH-CTA OMEGA CLAMP 200	211	2	0,328	3137822
125 CTH-CTA OMEGA CLAMP 250	261	2	0,370	3137823
125 CTH-CTA OMEGA CLAMP 300	311	2	0,414	3137824
125 CTH-CTA OMEGA CLAMP 400	411	2	0,499	3137825
125 CTH-CTA OMEGA CLAMP 500	511	2	0,585	3137826
125 CTH-CTA OMEGA CLAMP 600	611	2	0,673	3137827
150 CTH-CTA OMEGA CLAMP 100	111	2	0,262	3137828
150 CTH-CTA OMEGA CLAMP 150	161	2	0,306	3137829
150 CTH-CTA OMEGA CLAMP 200	211	2	0,350	3137830
150 CTH-CTA OMEGA CLAMP 250	261	2	0,392	3137831
150 CTH-CTA OMEGA CLAMP 300	311	2	0,436	3137832
150 CTH-CTA OMEGA CLAMP 400	411	2	0,521	3137833
150 CTH-CTA OMEGA CLAMP 500	511	2	0,607	3137834
150 CTH-CTA OMEGA CLAMP 600	611	2	0,695	3137835

■ Please indicate order code in your orders.

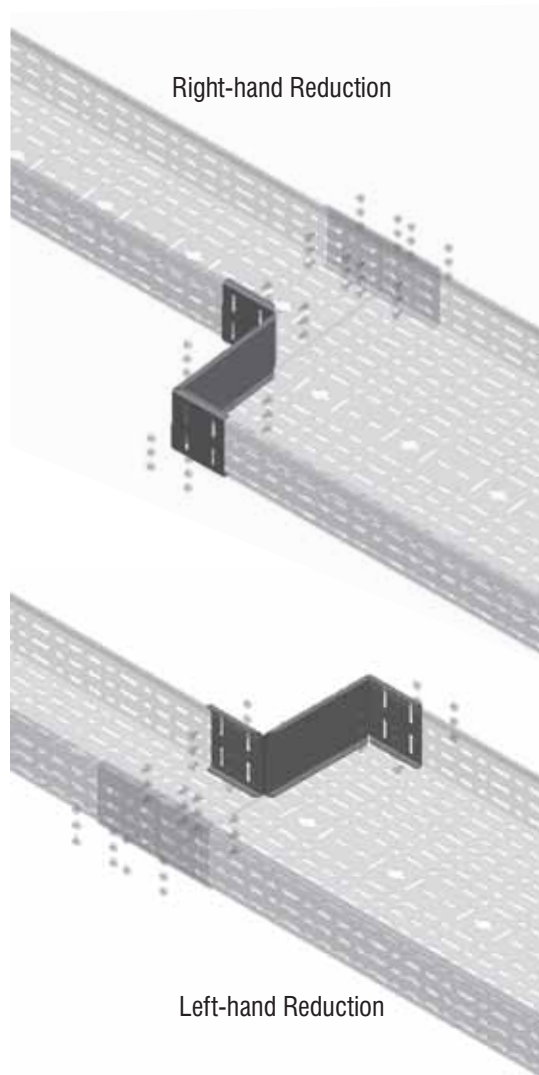
■ Material weights may vary by ± 10%

■ Please contact us for special size.

►► CT REDUCTION

Hot Dip Galvanized After Fabrication (TS EN ISO 1461)

Description	H (mm)	A (mm)	T (mm)	Weight (kg./set)	Order Code
40 CT RD 25	40	25	2	0,206	3002260
40 CT RD 50	40	50	2	0,232	3002262
40 CT RD100	40	100	2	0,284	3002264
40 CT RD150	40	150	2	0,337	3002266
40 CT RD200	40	200	2	0,388	3002268
40 CT RD250	40	250	2	0,441	3002270
40 CT RD300	40	300	2	0,493	3002272
50 CT RD 25	50	25	2	0,244	3002274
50 CT RD 50	50	50	2	0,275	3002276
50 CT RD100	50	100	2	0,336	3002278
50 CT RD150	50	150	2	0,396	3002280
50 CT RD200	50	200	2	0,457	3002282
50 CT RD250	50	250	2	0,518	3002284
50 CT RD300	50	300	2	0,579	3002286
60 CT RD 25	60	25	2	0,274	3002288
60 CT RD 50	60	50	2	0,308	3002290
60 CT RD100	60	100	2	0,377	3002292
60 CT RD150	60	150	2	0,447	3002294
60 CT RD200	60	200	2	0,517	3002296
60 CT RD250	60	250	2	0,586	3002298
60 CT RD300	60	300	2	0,656	3002300
75 CT RD 25	75	25	2	0,323	3002302
75 CT RD 50	75	50	2	0,365	3002304
75 CT RD100	75	100	2	0,448	3002306
75 CT RD150	75	150	2	0,530	3002308
75 CT RD200	75	200	2	0,612	3002310
75 CT RD250	75	250	2	0,694	3002312
75 CT RD300	75	300	2	0,777	3002314
100 CT RD 25	100	25	2	0,419	3002316
100 CT RD 50	100	50	2	0,472	3002318
100 CT RD100	100	100	2	0,575	3002320
100 CT RD150	100	150	2	0,680	3002322
100 CT RD200	100	200	2	0,783	3002324
100 CT RD250	100	250	2	0,888	3002326
100 CT RD300	100	300	2	0,991	3002328



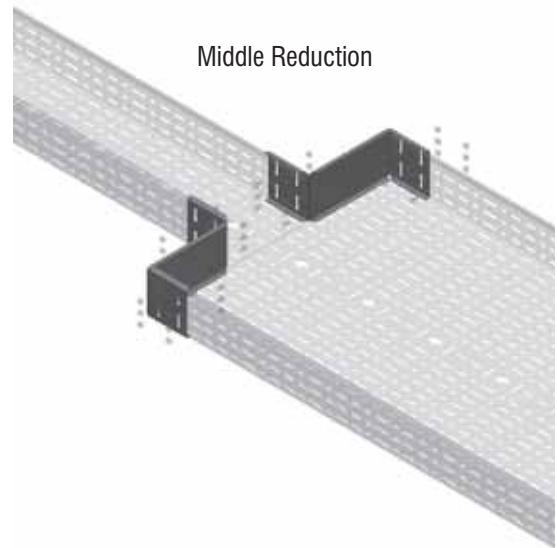
Description	H (mm)	A (mm)	T (mm)	Weight (kg./set)	Order Code
125 CT RD 25	125	25	2	0,510	3003332
125 CT RD 50	125	50	2	0,573	3003333
125 CT RD 100	125	100	2	0,699	3003334
125 CT RD 150	125	150	2	0,825	3003335
125 CT RD 200	125	200	2	0,950	3003336
125 CT RD 250	125	250	2	1,076	3003337
125 CT RD 300	125	300	2	1,201	3003338
150 CT RD 25	150	25	2	0,596	3003339
150 CT RD 50	150	50	2	0,670	3003340
150 CT RD 100	150	100	2	0,817	3003341
150 CT RD 150	150	150	2	0,964	3003342
150 CT RD 200	150	200	2	1,111	3003343
150 CT RD 250	150	250	2	1,258	3003344
150 CT RD 300	150	300	2	1,406	3003345

- It can be used as a left hand or right hand reduction.
- Please indicate order code in your orders.
- Please contact us for special size.
- Material weights may vary by ± 10%

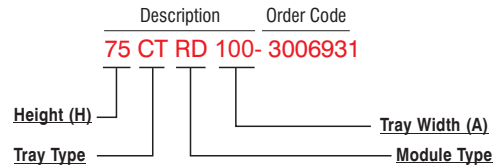
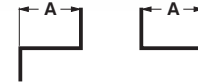
▶▶ CT MIDDLE REDUCTION

Hot Dip Galvanized After Fabrication (TS EN ISO 1461)

Description	H (mm)	A (mm)	T (mm)	Weight (kg/set)	Order Code
40 CT RD 25	40	25	2	0,411	3006059
40 CT RD 50	40	50	2	0,464	3006057
40 CT RD100	40	100	2	0,568	3006055
40 CT RD150	40	150	2	0,673	3006053
40 CT RD200	40	200	2	0,777	3006051
40 CT RD250	40	250	2	0,882	3006049
40 CT RD300	40	300	2	0,986	3006047
50 CT RD 25	50	25	2	0,488	3006045
50 CT RD 50	50	50	2	0,550	3006043
50 CT RD100	50	100	2	0,671	3006041
50 CT RD150	50	150	2	0,792	3006039
50 CT RD200	50	200	2	0,913	3006037
50 CT RD250	50	250	2	1,036	3006035
50 CT RD300	50	300	2	1,157	3006033
60 CT RD 25	60	25	2	0,548	3006031
60 CT RD 50	60	50	2	0,616	3006029
60 CT RD100	60	100	2	0,755	3006027
60 CT RD150	60	150	2	0,893	3006025
60 CT RD200	60	200	2	1,034	3006023
60 CT RD250	60	250	2	1,173	3006021
60 CT RD300	60	300	2	1,311	3006019
75 CT RD 25	75	25	2	0,647	3006935
75 CT RD 50	75	50	2	0,730	3006933
75 CT RD100	75	100	2	0,895	3006931
75 CT RD150	75	150	2	1,060	3006929
75 CT RD200	75	200	2	1,223	3006927
75 CT RD250	75	250	2	1,388	3006925
75 CT RD300	75	300	2	1,553	3006923
100 CT RD 25	100	25	2	0,838	3006921
100 CT RD 50	100	50	2	0,944	3006919
100 CT RD100	100	100	2	1,151	3006917
100 CT RD150	100	150	2	1,360	3006915
100 CT RD200	100	200	2	1,566	3006913
100 CT RD250	100	250	2	1,775	3006911
100 CT RD300	100	300	2	1,982	3006909



Middle Reduction



Description	H (mm)	A (mm)	T (mm)	Weight (kg/set)	Order Code
125 CT RD 25	125	25	2	1,021	3003346
125 CT RD 50	125	50	2	1,146	3003347
125 CT RD 100	125	100	2	1,397	3003348
125 CT RD 150	125	150	2	1,650	3003349
125 CT RD 200	125	200	2	1,901	3003350
125 CT RD 250	125	250	2	2,152	3003351
125 CT RD 300	125	300	2	2,402	3003352
150 CT RD 25	150	25	2	1,192	3003353
150 CT RD 50	150	50	2	1,340	3003354
150 CT RD 100	150	100	2	1,635	3003355
150 CT RD 150	150	150	2	1,927	3003356
150 CT RD 200	150	200	2	2,222	3003357
150 CT RD 250	150	250	2	2,517	3003358
150 CT RD 300	150	300	2	2,812	3003359

- Please indicate order code in your orders.
- Please contact us for special size.
- Material weights may vary by ± 10%

▶▶ **PROJECT DESIGN FORM**

Item	Component List Component	Quantity
Company : Project : Project No :		
Prepared by Name : Date : Signature:		

E-LINE CTK

CABLE TRAY SYSTEMS

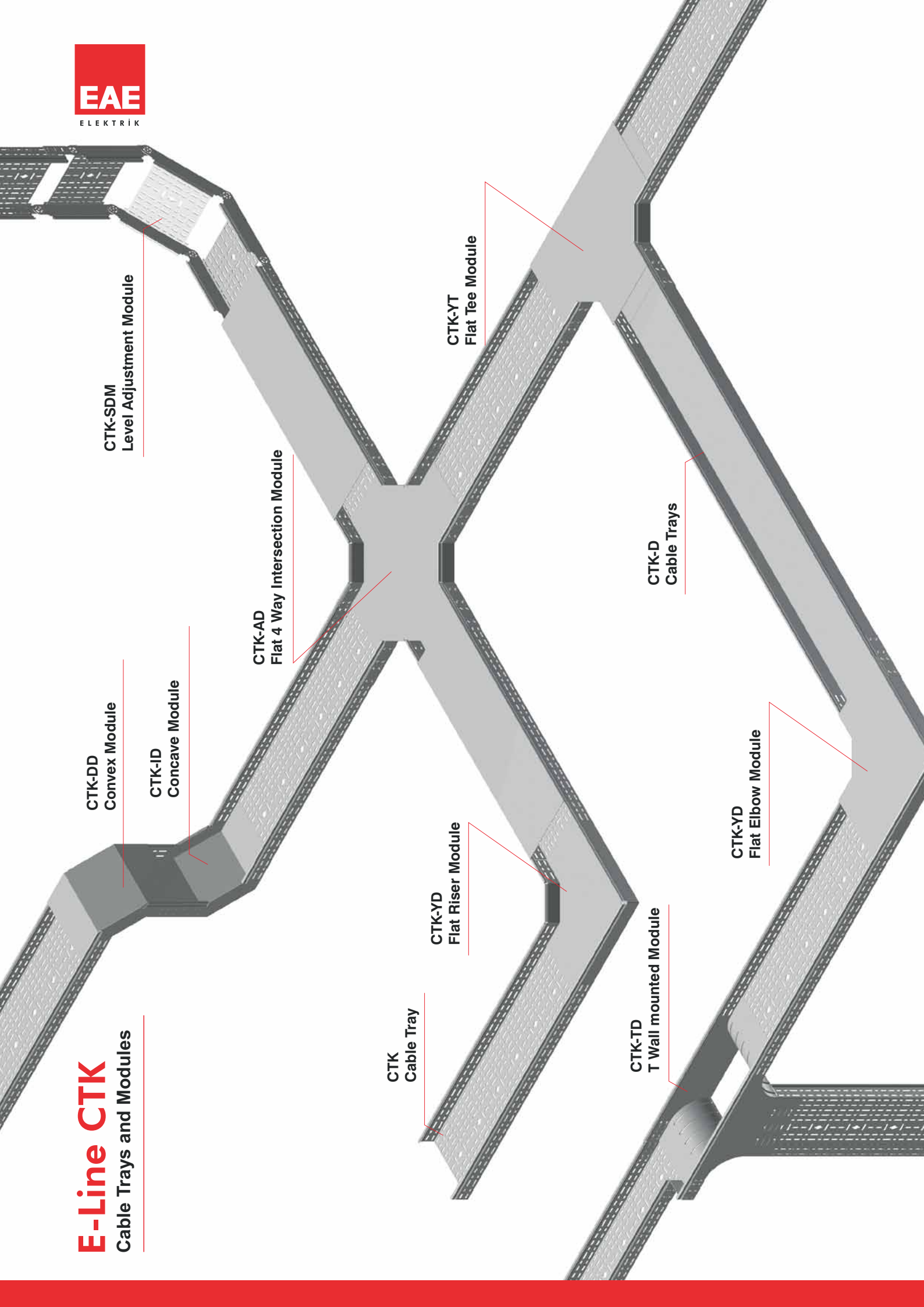


Hot Dip Galvanized
CTK Snap-on Cover
Cable Tray Systems



E-Line CTK

Cable Trays and Modules



CTK-SDM
Level Adjustment Module

CTK-YT
Flat Tee Module

CTK-AD
Flat 4 Way Intersection Module

CTK-D
Cable Trays

CTK-DD
Convex Module

CTK-ID
Concave Module

CTK-YD
Flat Elbow Module

CTK-YD
Flat Riser Module

CTK
Cable Tray

CTK-TD
T Wall mounted Module

CONTENTS

2	CTK Cable Tray
3	CTK-D Cable Tray
4-11	CTK Cable Tray Modules
12	CTK Joint Fitting
13	CTK Level Adaptation Module
14	CTK Level Adaptation Joint, Hinged Joint, Separator
15-17	CTK Reduction
18	CTK End Cover

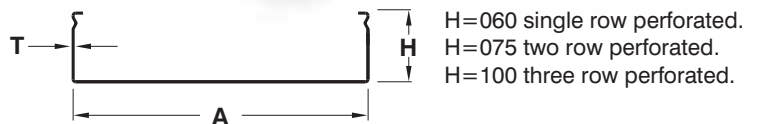
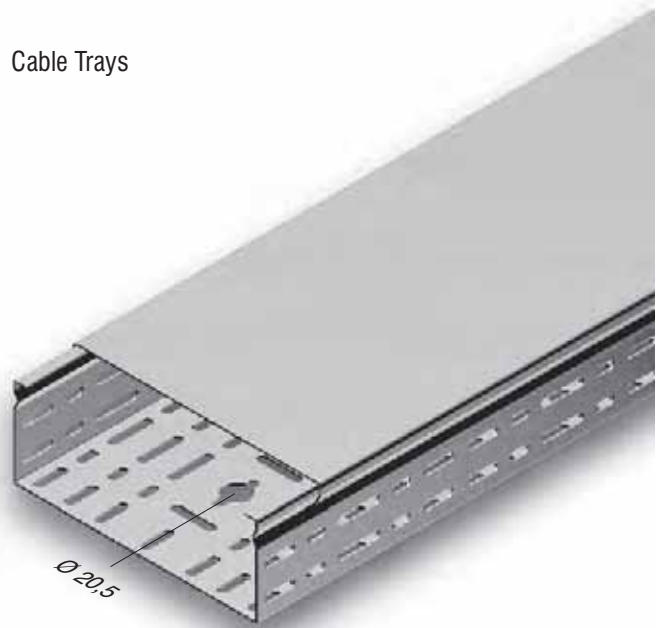
CABLE TRAYS SYSTEMS

▶▶ CTK CABLE TRAYS

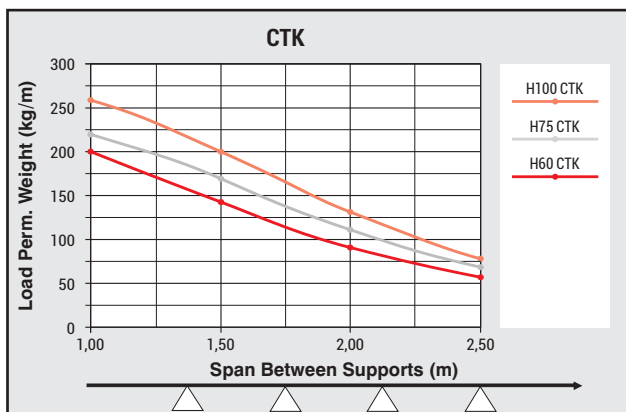
Hot Dip Galvanized After Fabrication (TS EN ISO 1461)

Description	H (mm)	A (mm)	T (mm)	Weight (kg./m)	Order Code
060 CTK 100	60	100	1,5	2,674	2002142
CTK 100 COVER		100	1,5	1,810	2002190
060 CTK 150	60	150	1,5	3,204	2002143
CTK 150 COVER		150	1,5	2,456	2002191
060 CTK 200	60	200	1,5	3,720	2002144
CTK 200 COVER		200	1,5	3,104	2002192
060 CTK 250	60	250	1,5	4,252	2002145
CTK 250 COVER		250	1,5	3,752	2002193
060 CTK 300	60	300	1,5	4,782	2002146
CTK 300 COVER		300	1,5	4,337	2002194
060 CTK 400	60	400	2	7,969	2002147
CTK 400 COVER		400	2	7,593	2002195
060 CTK 500	60	500	2	9,225	2002148
CTK 500 COVER		500	2	9,321	2002196
060 CTK 600	60	600	2	10,641	2002149
CTK 600 COVER		600	2	11,046	2002197
<hr/>					
075 CTK 100	75	100	1,5	2,946	2002150
CTK 100 COVER		100	1,5	1,810	2002190
075 CTK 150	75	150	1,5	3,476	2002151
CTK 150 COVER		150	1,5	2,456	2002191
075 CTK 200	75	200	1,5	4,007	2002152
CTK 200 COVER		200	1,5	3,104	2002192
075 CTK 250	75	250	1,5	4,538	2002153
CTK 250 COVER		250	1,5	3,752	2002193
075 CTK 300	75	300	1,5	5,069	2002154
CTK 300 COVER		300	1,5	4,337	2002194
075 CTK 400	75	400	2	8,173	2002155
CTK 400 COVER		400	2	7,593	2002195
075 CTK 500	75	500	2	9,586	2002156
CTK 500 COVER		500	2	9,321	2002196
075 CTK 600	75	600	2	11,002	2002157
CTK 600 COVER		600	2	11,046	2002197

Cable Trays



Description	H (mm)	A (mm)	T (mm)	Weight (kg./m)	Order Code
100 CTK 100	100	100	1,5	3,476	2002158
CTK 100 COVER		100	1,5	1,810	2002190
100 CTK 150	100	150	1,5	4,007	2002159
CTK 150 COVER		150	1,5	2,456	2002191
100 CTK 200	100	200	1,5	4,538	2002160
CTK 200 COVER		200	1,5	3,104	2002192
100 CTK 250	100	250	1,5	5,069	2002161
CTK 250 COVER		250	1,5	3,752	2002193
100 CTK 300	100	300	1,5	5,619	2002162
CTK 300 COVER		300	1,5	4,337	2002194
100 CTK 400	100	400	2	8,881	2002163
CTK 400 COVER		400	2	7,593	2002195
100 CTK 500	100	500	2	10,322	2002164
CTK 500 COVER		500	2	9,321	2002196
100 CTK 600	100	600	2	11,712	2002165
CTK 600 COVER		600	2	11,046	2002197



■ Load Perm. Weight may change +/- according to the sheet tolerance and hardness.

Please contact to your customer representative for detailed information.

Sample Order:

Height (H): 100 mm,

Width (A): 200 mm,

Sheet Thickness (T): 1,5 mm,

Coating Type (S): Hot Dip Galvanized,

Module Type: Cable Trays.

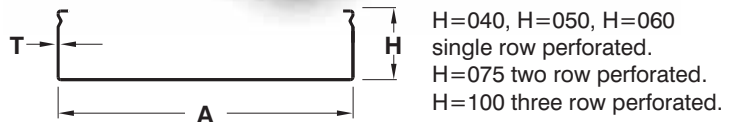
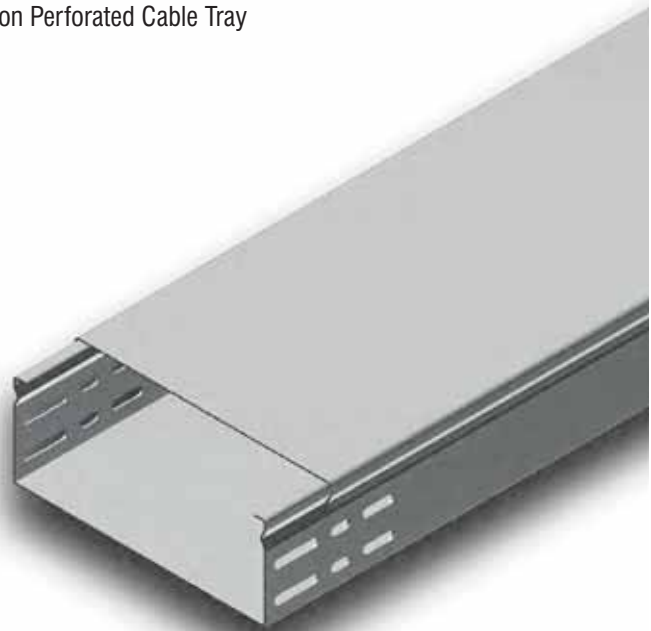
- Standard Length 3000 mm.
- For special orders and specifications please contact us.
- Please state the order code when ordering.
- Material weights may vary by ± 10%

▶▶ CTK-D CABLE TRAYS

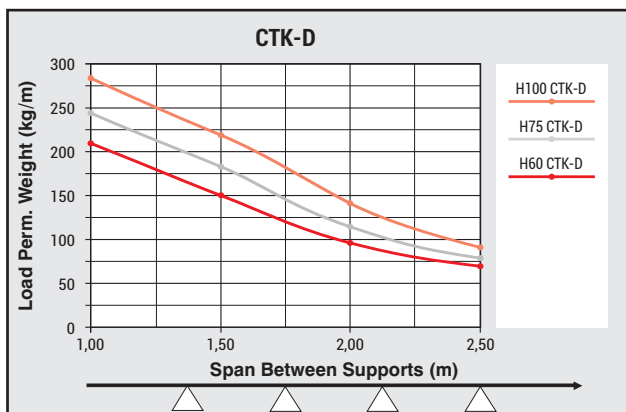
Hot Dip Galvanized After Fabrication (TS EN ISO 1461)

Description	H (mm)	A (mm)	T (mm)	Weight (kg./m)	Order Code
060 CTK-D 100	60	100	1,5	2,993	2002166
CTK-D 100 COVER		100	1,5	1,810	2002190
060 CTK-D 150	60	150	1,5	3,641	2002167
CTK-D 150 COVER		150	1,5	2,456	2002191
060 CTK-D 200	60	200	1,5	4,289	2002168
CTK-D 200 COVER		200	1,5	3,104	2002192
060 CTK-D 250	60	250	1,5	4,937	2002169
CTK-D 250 COVER		250	1,5	3,752	2002193
060 CTK-D 300	60	300	1,5	5,584	2002170
CTK-D 300 COVER		300	1,5	4,337	2002194
060 CTK-D 400	60	400	2	9,332	2002171
CTK-D 400 COVER		400	2	7,593	2002195
060 CTK-D 500	60	500	2	10,899	2002172
CTK-D 500 COVER		500	2	9,321	2002196
060 CTK-D 600	60	600	2	12,627	2002173
CTK-D 600 COVER		600	2	11,046	2002197
<hr/>					
075 CTK-D 100	75	100	1,5	3,374	2002174
CTK-D 100 COVER		100	1,5	1,810	2002190
075 CTK-D 150	75	150	1,5	4,022	2002175
CTK-D 150 COVER		150	1,5	2,456	2002191
075 CTK-D 200	75	200	1,5	4,668	2002176
CTK-D 200 COVER		200	1,5	3,104	2002192
075 CTK-D 250	75	250	1,5	5,171	2002177
CTK-D 250 COVER		250	1,5	3,752	2002193
075 CTK-D 300	75	300	1,5	5,964	2002178
CTK-D 300 COVER		300	1,5	4,337	2002194
075 CTK-D 400	75	400	2	9,679	2002179
CTK-D 400 COVER		400	2	7,593	2002195
075 CTK-D 500	75	500	2	11,419	2002180
CTK-D 500 COVER		500	2	9,321	2002196
075 CTK-D 600	75	600	2	13,144	2002181
CTK-D 600 COVER		600	2	11,046	2002197

Non Perforated Cable Tray



Description	H (mm)	A (mm)	T (mm)	Weight (kg./m)	Order Code
100 CTK-D 100	100	100	1,5	4,013	2002182
CTK-D 100 COVER		100	1,5	1,810	2002190
100 CTK-D 150	100	150	1,5	4,661	2002183
CTK-D 150 COVER		150	1,5	2,456	2002191
100 CTK-D 200	100	200	1,5	5,308	2002184
CTK-D 200 COVER		200	1,5	3,104	2002192
100 CTK-D 250	100	250	1,5	5,955	2002185
CTK-D 250 COVER		250	1,5	3,752	2002193
100 CTK-D 300	100	300	1,5	6,623	2002186
CTK-D 300 COVER		300	1,5	4,337	2002194
100 CTK-D 400	100	400	2	10,531	2002187
CTK-D 400 COVER		400	2	7,593	2002195
100 CTK-D 500	100	500	2	12,247	2002188
CTK-D 500 COVER		500	2	9,321	2002196
100 CTK-D 600	100	600	2	14,020	2002189
CTK-D 600 COVER		600	2	11,046	2002197



■ Load Perm. Weight may change +/- according to the sheet tolerance and hardness.
Please contact to your customer representative for detailed information.

Sample Order:

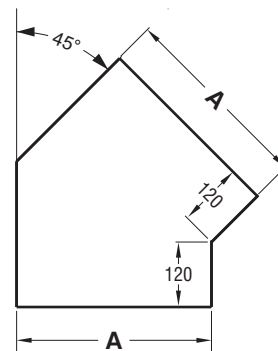
Height (H): 75 mm,
Width (A): 500 mm,
Sheet Thickness (T): 1,5 mm,
Coating Type (S): Hot Dip Galvanized,
Module Type: Non perforated cable tray

- Standard Length 3000 mm.
- For special orders and specifications please contact us.
- Please state the order code when ordering.
- Material weights may vary by ± 10%

▶▶ CTK FLAT ELBOW MODULE (45°)

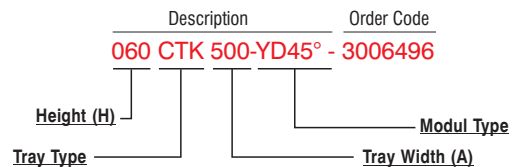
Hot Dip Galvanized After Fabrication (TS EN ISO 1461)

Description	H (mm)	A (mm)	T (mm)	Weight (kg/m)	Order Code
060 CTK 100 YD 45°	60	100	1,5	2,225	3006490
060 CTK 150 YD 45°	60	150	1,5	2,930	3006491
060 CTK 200 YD 45°	60	200	1,5	3,672	3006492
060 CTK 250 YD 45°	60	250	1,5	4,498	3006493
060 CTK 300 YD 45°	60	300	1,5	6,043	3006494
060 CTK 400 YD 45°	60	400	1,5	8,234	3006495
060 CTK 500 YD 45°	60	500	1,5	10,674	3006496
060 CTK 600 YD 45°	60	600	1,5	13,364	3006497
<hr/>					
075 CTK 100 YD 45°	75	100	1,5	2,371	3006498
075 CTK 150 YD 45°	75	150	1,5	3,083	3006499
075 CTK 200 YD 45°	75	200	1,5	3,832	3006500
075 CTK 250 YD 45°	75	250	1,5	4,668	3006501
075 CTK 300 YD 45°	75	300	1,5	6,222	3006502
075 CTK 400 YD 45°	75	400	1,5	8,426	3006503
075 CTK 500 YD 45°	75	500	1,5	10,885	3006504
075 CTK 600 YD 45°	75	600	1,5	13,591	3006505
<hr/>					
100 CTK 100 YD 45°	100	100	1,5	2,630	3006506
100 CTK 150 YD 45°	100	150	1,5	3,357	3006507
100 CTK 200 YD 45°	100	200	1,5	4,129	3006508
100 CTK 250 YD 45°	100	250	1,5	4,968	3006509
100 CTK 300 YD 45°	100	300	1,5	6,534	3006510
100 CTK 400 YD 45°	100	400	1,5	8,466	3006511
100 CTK 500 YD 45°	100	500	1,5	11,251	3006512
100 CTK 600 YD 45°	100	600	1,5	13,983	3006513



H=060 single row perforated.
H=075 two rows perforated.
H=100 three rows perforated.

Sample Order:
Height (H): 60 mm,
Width (A,B): 500 mm,
Sheet Thickness (T): 1,5 mm,
Coating Type (S): Hot Dip Galvanized,
Module Type: Flat Elbow Module 45°



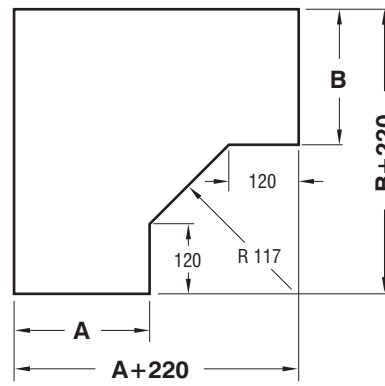
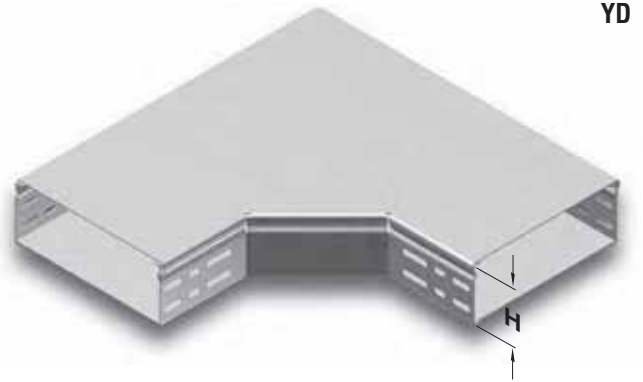
■ Please state the order code when ordering.

■ Material weights may vary by ± 10%

■ For special orders and specifications please contact us.

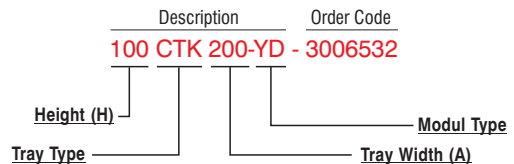
▶▶ CTK FLAT ELBOW MODULE (90°) Hot Dip Galvanized After Fabrication (TS EN ISO 1461)

Description	H (mm)	A (mm)	T (mm)	Weight (kg/m)	Order Code
060 CTK 100 YD	60	100	1,5	3,023	3006514
060 CTK 150 YD	60	150	1,5	4,187	3006515
060 CTK 200 YD	60	200	1,5	5,506	3006516
060 CTK 250 YD	60	250	1,5	6,974	3006517
060 CTK 300 YD	60	300	1,5	8,593	3006518
060 CTK 400 YD	60	400	1,5	12,286	3006519
060 CTK 500 YD	60	500	1,5	16,583	3006520
060 CTK 600 YD	60	600	1,5	21,427	3006521
<hr/>					
075 CTK 100 YD	75	100	1,5	3,197	3006522
075 CTK 150 YD	75	150	1,5	4,381	3006523
075 CTK 200 YD	75	200	1,5	5,719	3006524
075 CTK 250 YD	75	250	1,5	7,206	3006525
075 CTK 300 YD	75	300	1,5	8,845	3006526
075 CTK 400 YD	75	400	1,5	12,587	3006527
075 CTK 500 YD	75	500	1,5	16,913	3006528
075 CTK 600 YD	75	600	1,5	21,794	3006529
<hr/>					
100 CTK 100 YD	100	100	1,5	3,501	3006530
100 CTK 150 YD	100	150	1,5	4,719	3006531
100 CTK 200 YD	100	200	1,5	6,089	3006532
100 CTK 250 YD	100	250	1,5	7,609	3006533
100 CTK 300 YD	100	300	1,5	9,280	3006534
100 CTK 400 YD	100	400	1,5	13,076	3006535
100 CTK 500 YD	100	500	1,5	17,477	3006536
100 CTK 600 YD	100	600	1,5	22,424	3006537



H=060 single row perforated.
H=075 two rows perforated.
H=100 three rows perforated.

Sample Order:
Height (H): 100 mm,
Width (A): 200 mm,
Sheet Thickness (T): 1,5 mm,
Coating Type (S): Hot Dip Galvanized,
Module Type: Flat Elbow Module 90°



■ Please state the order code when ordering.

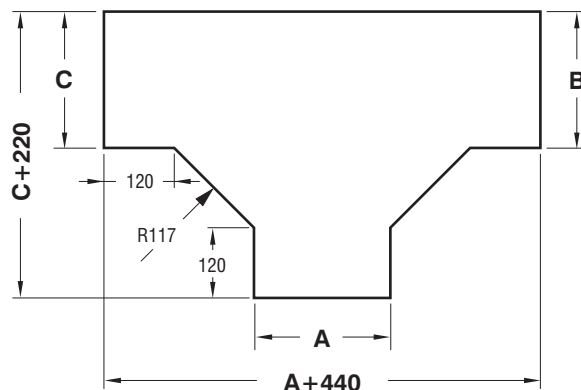
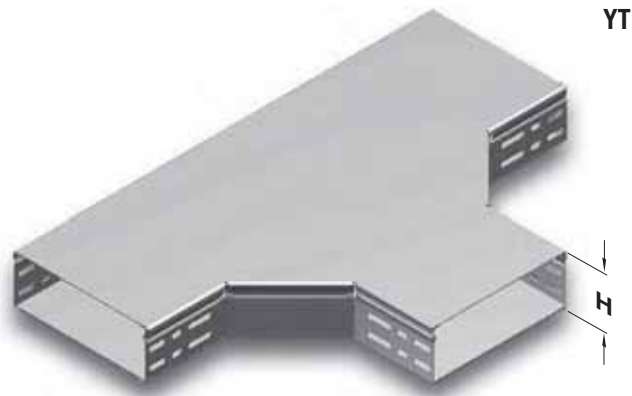
■ Material weights may vary by ± 10%

■ For special orders and specifications please contact us.

▶▶ CTK FLAT "T" MODULE

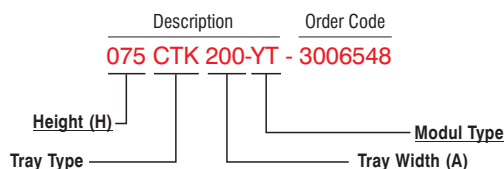
Hot Dip Galvanized After Fabrication (TS EN ISO 1461)

Description	H (mm)	ABC (mm)	T (mm)	Weight (kg./pc.)	Order Code
060 CTK 100 YT	60	100	1,5	4,178	3006538
060 CTK 150 YT	60	150	1,5	5,611	3006539
060 CTK 200 YT	60	200	1,5	7,195	3006540
060 CTK 250 YT	60	250	1,5	8,931	3006541
060 CTK 300 YT	60	300	1,5	10,817	3006542
060 CTK 400 YT	60	400	1,5	15,044	3006543
060 CTK 500 YT	60	500	1,5	19,875	3006544
060 CTK 600 YT	60	600	1,5	23,008	3006545
<hr/>					
075 CTK 100 YT	75	100	1,5	4,417	3006546
075 CTK 150 YT	75	150	1,5	6,042	3006547
075 CTK 200 YT	75	200	1,5	7,429	3006548
075 CTK 250 YT	75	250	1,5	9,175	3006549
075 CTK 300 YT	75	300	1,5	11,070	3006550
075 CTK 400 YT	75	400	1,5	15,316	3006551
075 CTK 500 YT	75	500	1,5	20,166	3006552
075 CTK 600 YT	75	600	1,5	23,320	3006553
<hr/>					
100 CTK 100 YT	100	100	1,5	4,776	3006554
100 CTK 150 YT	100	150	1,5	6,235	3006555
100 CTK 200 YT	100	200	1,5	7,842	3006556
100 CTK 250 YT	100	250	1,5	9,603	3006557
100 CTK 300 YT	100	300	1,5	11,519	3006558
100 CTK 400 YT	100	400	1,5	15,797	3006559
100 CTK 500 YT	100	500	1,5	20,680	3006560
100 CTK 600 YT	100	600	1,5	23,865	3006561



H=060 single row perforated.
 H=075 two rows perforated.
 H=100 three rows perforated.

Sample Order:
 Height (H): 75 mm,
 Width (A,B,C): 200 mm,
 Sheet Thickness (T): 1,5 mm,
 Coating Type (S): Hot Dip Galvanized,
 Module Type: Flat "T" Module.



■ Please state the order code when ordering.

■ Material weights may vary by ± 10%

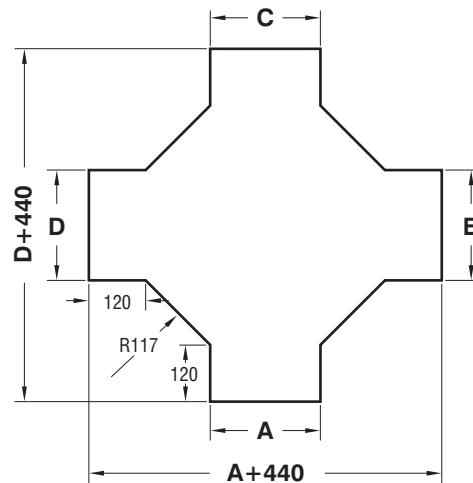
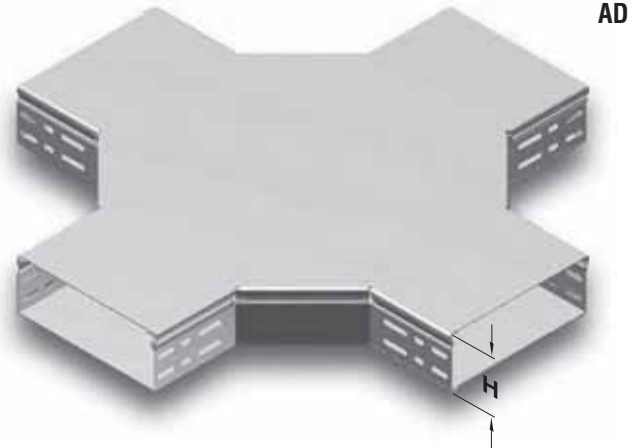
■ For special orders and specifications please contact us.

▶▶ CTK FLAT 4 WAY INTERSECTION MODULE

Hot Dip Galvanized After Fabrication (TS EN ISO 1461)

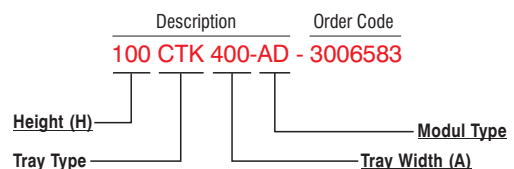
Description	H (mm)	ABCD (mm)	T (mm)	Weight (kg./pc.)	Order Code
060 CTK 100 AD	60	100	1,5	5,057	3006562
060 CTK 150 AD	60	150	1,5	7,086	3006563
060 CTK 200 AD	60	200	1,5	8,938	3006564
060 CTK 250 AD	60	250	1,5	10,941	3006565
060 CTK 300 AD	60	300	1,5	13,093	3006566
060 CTK 400 AD	60	400	1,5	17,854	3006567
060 CTK 500 AD	60	500	1,5	23,219	3006568
060 CTK 600 AD	60	600	1,5	29,189	3006569
<hr/>					
075 CTK 100 AD	75	100	1,5	5,631	3006570
075 CTK 150 AD	75	150	1,5	7,332	3006571
075 CTK 200 AD	75	200	1,5	9,183	3006572
075 CTK 250 AD	75	250	1,5	11,185	3006573
075 CTK 300 AD	75	300	1,5	13,339	3006574
075 CTK 400 AD	75	400	1,5	18,099	3006575
075 CTK 500 AD	75	500	1,5	23,464	3006576
075 CTK 600 AD	75	600	1,5	29,434	3006577
<hr/>					
100 CTK 100 AD	100	100	1,5	6,074	3006578
100 CTK 150 AD	100	150	1,5	7,774	3006579
100 CTK 200 AD	100	200	1,5	9,625	3006580
100 CTK 250 AD	100	250	1,5	11,628	3006581
100 CTK 300 AD	100	300	1,5	13,782	3006582
100 CTK 400 AD	100	400	1,5	18,542	3006583
100 CTK 500 AD	100	500	1,5	23,906	3006584
100 CTK 600 AD	100	600	1,5	29,876	3006585

Flat 4 Way Intersection Module



H=060 single row perforated.
H=075 two rows perforated.
H=100 three rows perforated.

Sample Order:
Height (H): 100 mm,
Width (A,B,C,D): 400 mm,
Sheet Thickness (T): 1,5 mm,
Coating Type (S): Hot Dip Galvanized,
Module Type: Flat 4 Way Intersection Module



■ Please state the order code when ordering.

■ Material weights may vary by ± 10%

■ For special orders and specifications please contact us.

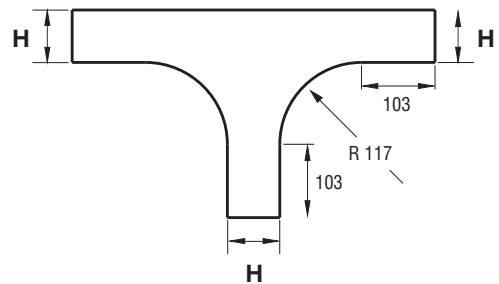
▶▶ CTK "T" CENTRE DESCENT MODULE

Hot Dip Galvanized After Fabrication (TS EN ISO 1461)

Description	H (mm)	A (mm)	T (mm)	Weight (kg./pc.)	Order Code
060 CTK 100 TO	60	100	1,5	3,886	3006586
060 CTK 150 TO	60	150	1,5	4,926	3006587
060 CTK 200 TO	60	200	1,5	5,964	3006588
060 CTK 250 TO	60	250	1,5	7,004	3006589
060 CTK 300 TO	60	300	1,5	8,042	3006590
060 CTK 400 TO	60	400	1,5	10,120	3006591
060 CTK 500 TO	60	500	1,5	12,198	3006592
060 CTK 600 TO	60	600	1,5	14,277	3006593
<hr/>					
075 CTK 100 TO	75	100	1,5	4,105	3006594
075 CTK 150 TO	75	150	1,5	5,144	3006595
075 CTK 200 TO	75	200	1,5	6,183	3006596
075 CTK 250 TO	75	250	1,5	7,222	3006597
075 CTK 300 TO	75	300	1,5	8,261	3006598
075 CTK 400 TO	75	400	1,5	10,339	3006599
075 CTK 500 TO	75	500	1,5	12,417	3006600
075 CTK 600 TO	75	600	1,5	14,495	3006601
<hr/>					
100 CTK 100 TO	100	100	1,5	4,615	3006602
100 CTK 150 TO	100	150	1,5	5,653	3006603
100 CTK 200 TO	100	200	1,5	6,692	3006604
100 CTK 250 TO	100	250	1,5	7,731	3006605
100 CTK 300 TO	100	300	1,5	8,770	3006606
100 CTK 400 TO	100	400	1,5	10,848	3006607
100 CTK 500 TO	100	500	1,5	12,926	3006608
100 CTK 600 TO	100	600	1,5	15,004	3006609

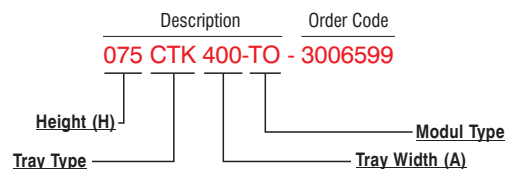


TO



H=060 single row perforated.
H=075 two rows perforated.
H=100 three rows perforated.

Sample Order:
Height (H): 75 mm,
Width (A): 400 mm,
Sheet Thickness (T): 1,5 mm,
Coating Type (S): Hot Dip Galvanized,
Module Type: "T" Centre



■ Please state the order code when ordering.

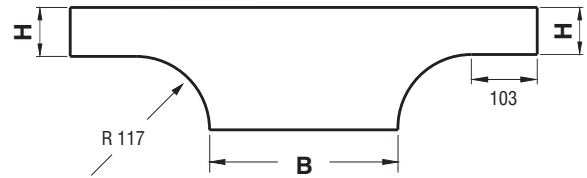
■ Material weights may vary by ± 10%

■ For special orders and specifications please contact us.

▶▶ CTK "T" WALL MOUNTED MODULE

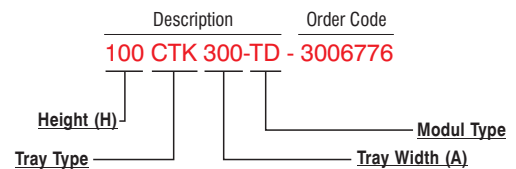
Hot Dip Galvanized After Fabrication (TS EN ISO 1461)

Description	H (mm)	A (mm)	B (mm)	T (mm)	Weight (kg./pc.)	Order Code
060 CTK 100 TD	60	100	100	1,5	3,726	3006756
060 CTK 150 TD	60	150	150	1,5	5,046	3006757
060 CTK 200 TD	60	200	200	1,5	6,401	3006758
060 CTK 250 TD	60	250	250	1,5	7,866	3006759
060 CTK 300 TD	60	300	300	1,5	9,372	3006760
060 CTK 400 TD	60	400	300	1,5	13,388	3006761
060 CTK 500 TD	60	500	300	1,5	15,250	3006762
060 CTK 600 TD	60	600	300	1,5	17,767	3006763
075 CTK 100 TD	75	100	100	1,5	3,907	3006764
075 CTK 150 TD	75	150	150	1,5	5,276	3006765
075 CTK 200 TD	75	200	200	1,5	6,672	3006766
075 CTK 250 TD	75	250	250	1,5	8,109	3006767
075 CTK 300 TD	75	300	300	1,5	9,633	3006768
075 CTK 400 TD	75	400	300	1,5	14,173	3006769
075 CTK 500 TD	75	500	300	1,5	16,060	3006770
075 CTK 600 TD	75	600	300	1,5	18,737	3006771
100 CTK 100 TD	100	100	100	1,5	4,231	3006772
100 CTK 150 TD	100	150	150	1,5	5,545	3006773
100 CTK 200 TD	100	200	200	1,5	7,060	3006774
100 CTK 250 TD	100	250	250	1,5	8,514	3006775
100 CTK 300 TD	100	300	300	1,5	10,064	3006776
100 CTK 400 TD	100	400	300	1,5	16,122	3006777
100 CTK 500 TD	100	500	300	1,5	18,823	3006778
100 CTK 600 TD	100	600	300	1,5	21,529	3006779



H=060 single row perforated.
H=075 two rows perforated.
H=100 three rows perforated.

Sample Order:
Height (H): 100 mm,
Width (A): 300 mm,
Sheet Thickness (T): 1,5 mm,
Coating Type (S): Hot Dip Galvanized,
Module Type: "T" Wall Mounted Module



■ Please state the order code when ordering.

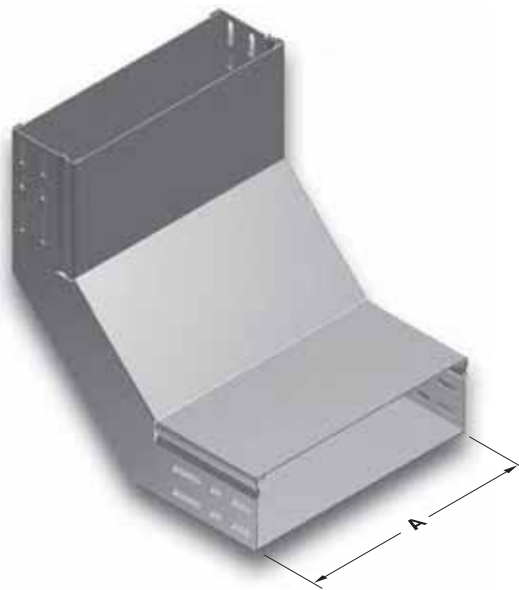
■ Material weights may vary by ± 10%

■ For special orders and specifications please contact us.

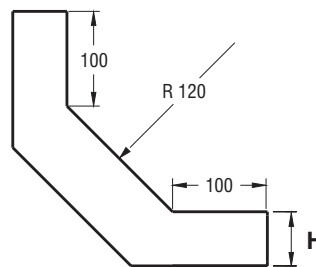
▶▶ CTK CONCAVE MODULE (90°)

Hot Dip Galvanized After Fabrication (TS EN ISO 1461)

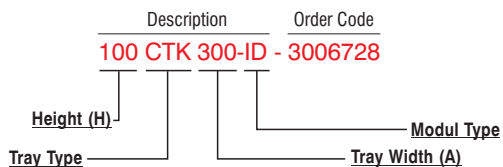
Description	H (mm)	A (mm)	T (mm)	Weight (kg./pc.)	Order Code
060 CTK 100 ID	60	100	1,5	2,122	3006708
060 CTK 150 ID	60	150	1,5	2,674	3006709
060 CTK 200 ID	60	200	1,5	3,225	3006710
060 CTK 250 ID	60	250	1,5	3,777	3006711
060 CTK 300 ID	60	300	1,5	4,330	3006712
060 CTK 400 ID	60	400	1,5	5,433	3006713
060 CTK 500 ID	60	500	1,5	5,924	3006714
060 CTK 600 ID	60	600	1,5	7,150	3006715
<hr/>					
075 CTK 100 ID	75	100	1,5	2,325	3006716
075 CTK 150 ID	75	150	1,5	2,893	3006717
075 CTK 200 ID	75	200	1,5	3,462	3006718
075 CTK 250 ID	75	250	1,5	4,029	3006719
075 CTK 300 ID	75	300	1,5	4,598	3006720
075 CTK 400 ID	75	400	1,5	5,733	3006721
075 CTK 500 ID	75	500	1,5	6,870	3006722
075 CTK 600 ID	75	600	1,5	8,006	3006723
<hr/>					
100 CTK 100 ID	100	100	1,5	2,701	3006724
100 CTK 150 ID	100	150	1,5	3,295	3006725
100 CTK 200 ID	100	200	1,5	3,887	3006726
100 CTK 250 ID	100	250	1,5	4,481	3006727
100 CTK 300 ID	100	300	1,5	5,075	3006728
100 CTK 400 ID	100	400	1,5	6,263	3006729
100 CTK 500 ID	100	500	1,5	7,451	3006730
100 CTK 600 ID	100	600	1,5	8,639	3006731



ID



Sample Order:
 Height (H): 100 mm,
 Width (A): 300 mm,
 Sheet Thickness (T): 1,5 mm,
 Coating Type (S): Hot Dip Galvanized,
 Module Type: Concave Module.



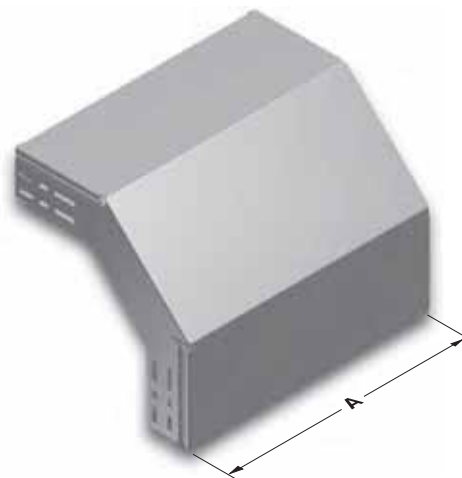
■ Please state the order code when ordering.

■ Material weights may vary by ± 10%

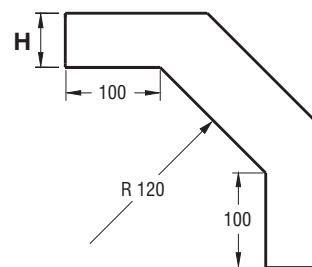
■ For special orders and specifications please contact us.

▶▶ CTK CONVEX MODULE (90°) Hot Dip Galvanized After Fabrication (TS EN ISO 1461)

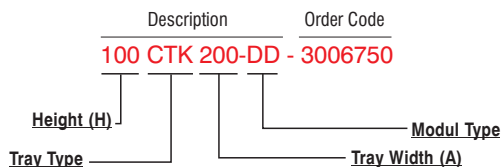
Description	H (mm)	A (mm)	T (mm)	Weight (kg./pc.)	Order Code
060 CTK 100 DD	60	100	1,5	2,180	3006732
060 CTK 150 DD	60	150	1,5	2,743	3006733
060 CTK 200 DD	60	200	1,5	3,306	3006734
060 CTK 250 DD	60	250	1,5	3,868	3006735
060 CTK 300 DD	60	300	1,5	4,430	3006736
060 CTK 400 DD	60	400	1,5	5,554	3006737
060 CTK 500 DD	60	500	1,5	6,678	3006738
060 CTK 600 DD	60	600	1,5	7,803	3006739
<hr/>					
075 CTK 100 DD	75	100	1,5	2,329	3006740
075 CTK 150 DD	75	150	1,5	2,892	3006741
075 CTK 200 DD	75	200	1,5	3,454	3006742
075 CTK 250 DD	75	250	1,5	4,016	3006743
075 CTK 300 DD	75	300	1,5	4,578	3006744
075 CTK 400 DD	75	400	1,5	5,702	3006745
075 CTK 500 DD	75	500	1,5	6,827	3006746
075 CTK 600 DD	75	600	1,5	7,951	3006747
<hr/>					
100 CTK 100 DD	100	100	1,5	2,607	3006748
100 CTK 150 DD	100	150	1,5	3,169	3006749
100 CTK 200 DD	100	200	1,5	3,731	3006750
100 CTK 250 DD	100	250	1,5	4,293	3006751
100 CTK 300 DD	100	300	1,5	4,855	3006752
100 CTK 400 DD	100	400	1,5	5,980	3006753
100 CTK 500 DD	100	500	1,5	7,105	3006754
100 CTK 600 DD	100	600	1,5	8,229	3006755



DD



Sample Order:
Height (H): 100 mm,
Width (A): 200 mm,
Sheet Thickness (T): 1,5 mm,
Coating Type (S): Hot Dip Galvanized,
Module Type: Convex Module.



■ Please state the order code when ordering.

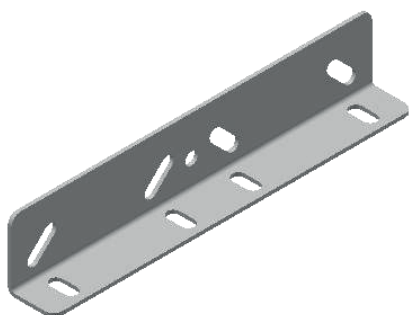
■ Material weights may vary by ± 10%

■ For special orders and specifications please contact us.

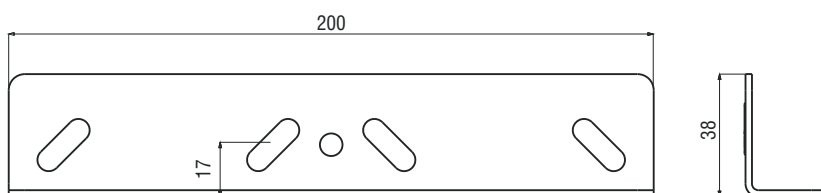
▶▶ CTK JOINT FITTING

Hot Dip Galvanized After Fabrication (TS EN ISO 1461)

Description	H (mm)	T (mm)	Weight (kg./pc.)	Order Code
60 CTK JOINT FITTING	40	2	0,191	3001965
75-100 CTK JOINT FITTING	55,5	2	3007413	



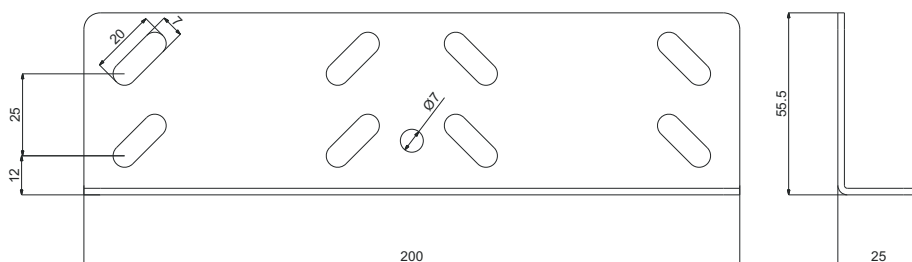
60 CTK CONNECTOR COMPONENT



1 Unit of H=60 Connector Component; 4 units M6x12 bolts, 4 units M6 bolt nuts are used.



75-100 CTK CONNECTOR COMPONENT



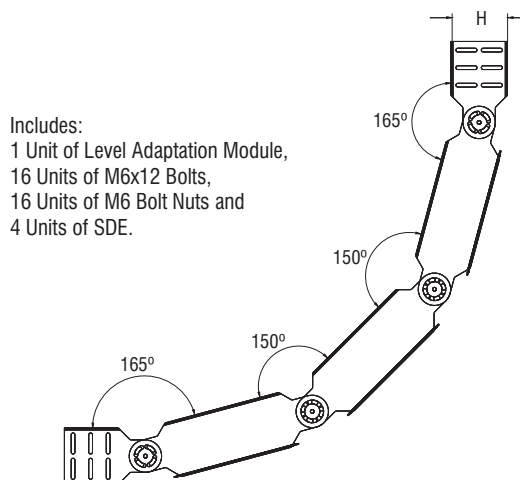
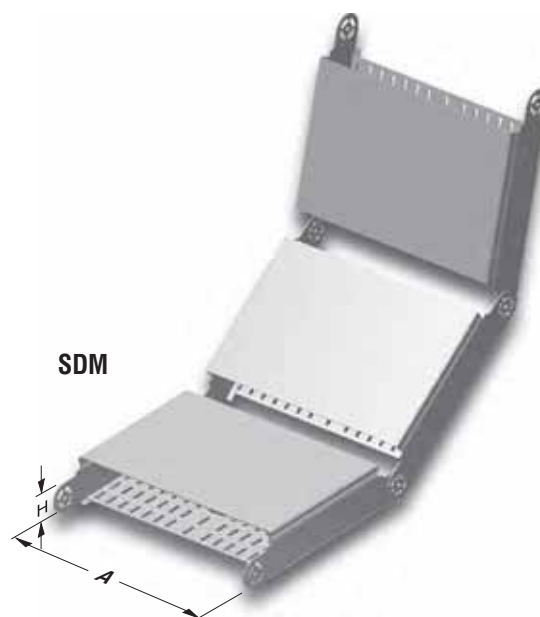
1 Unit of H=75-100 Connector Component; 8 units M6x12 bolts, 8 units M6 bolt nuts are used.

▶▶ CTK LEVEL ADAPTATION MODULE

Hot Dip Galvanized After Fabrication (TS EN ISO 1461)

Description	H (mm)	A (mm)	T (mm)	Weight (kg./set.)	Order Code
060 CTK 100 SDM	60	100	1,5	5,997	3007285
060 CTK 150 SDM	60	150	1,5	7,094	3007286
060 CTK 200 SDM	60	200	1,5	8,190	3007287
060 CTK 250 SDM	60	250	1,5	9,284	3007288
060 CTK 300 SDM	60	300	1,5	10,377	3007289
060 CTK 400 SDM	60	400	1,5	12,570	3007290
060 CTK 500 SDM	60	500	1,5	14,760	3007291
060 CTK 600 SDM	60	600	1,5	16,950	3007292
<hr/>					
075 CTK 100 SDM	75	100	1,5	6,563	3007293
075 CTK 150 SDM	75	150	1,5	7,659	3007294
075 CTK 200 SDM	75	200	1,5	8,756	3007295
075 CTK 250 SDM	75	250	1,5	9,849	3007296
075 CTK 300 SDM	75	300	1,5	10,942	3007297
075 CTK 400 SDM	75	400	1,5	13,135	3007298
075 CTK 500 SDM	75	500	1,5	15,325	3007299
075 CTK 600 SDM	75	600	1,5	17,515	3007300
<hr/>					
100 CTK 100 SDM	100	100	1,5	7,366	3007301
100 CTK 150 SDM	100	150	1,5	8,462	3007302
100 CTK 200 SDM	100	200	1,5	9,559	3007303
100 CTK 250 SDM	100	250	1,5	10,652	3007304
100 CTK 300 SDM	100	300	1,5	11,745	3007305
100 CTK 400 SDM	100	400	1,5	13,938	3007306
100 CTK 500 SDM	100	500	1,5	16,128	3007307
100 CTK 600 SDM	100	600	1,5	18,318	3007308

Grade Changing Module



Includes:
 1 Unit of Level Adaptation Module,
 16 Units of M6x12 Bolts,
 16 Units of M6 Bolt Nuts and
 4 Units of SDE.

H=060 single row perforated.
 H=075 two rows perforated.
 H=100 three rows perforated.

Sample Order:
 Height (H): 60 mm,
 Width (A): 400 mm,
 Sheet Thickness (T): 1,5 mm,
 Coating Type (S): Hot Dip Galvanized,
 Module Type: Level Adaptation Module

Description Order Code
060 CTK 400-SDM - 3007290

Height (H) Modul Type
 Tray Type Tray Width (A)

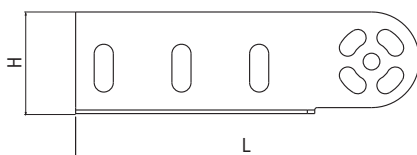
- Please state the order code when ordering.
- Material weights may vary by ± 10%

▶▶ CTK LEVEL ADAPTATION JOINT

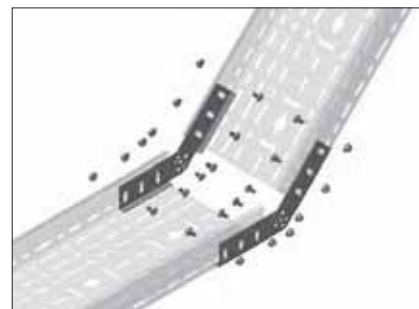
Hot Dip Galvanized After Fabrication (TS EN ISO 1461)

Description	H (mm)	T (mm)	Weight (kg./set.)	Order Code
060 CTK SDE	60	2	0,304	3007415
075 CTK SDE	75	2	0,380	3007416
100 CTK SDE	100	2	0,506	3007417

Level Adaptation Joint



60/75/100 CT-SDE L=160

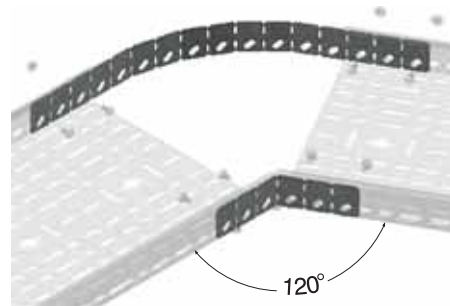


Includes: 4 units of grade changing components, 4 Units of M6x12 Bolts, 4 Units of M6 Bolt Nuts.

▶▶ CTK FLEXIBLE JOINT

Hot Dip Galvanized After Fabrication (TS EN ISO 1461)

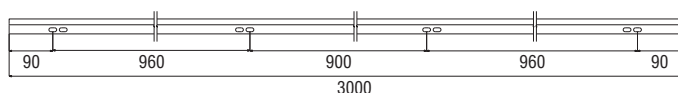
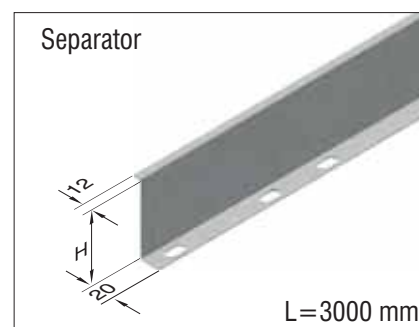
Description	H (mm)	T (mm)	Weight (kg./set.)	Order Code
60 FLEXIBLE JOINT (100-150-200-250-300)	53	1,2	0,354	3046731
60 FLEXIBLE JOINT (400-500-600)	53	1,2	0,514	3046732
75 FLEXIBLE JOINT (100-150-200-250-300)	64	1,2	0,466	3046733
75 FLEXIBLE JOINT (400-500-600)	64	1,2	0,677	3046734
100 FLEXIBLE JOINT (100-150-200-250-300)	94	1,2	0,638	3046735
100 FLEXIBLE JOINT (400-500-600)	94	1,2	0,927	3046736



▶▶ CT SEPARATOR

Hot Dip Galvanized After Fabrication (TS EN ISO 1461)

Description	H (mm)	T (mm)	Weight (kg./m.)	Order Code
060 CT SEPARATOR	55	1,2	0,833	3005833
075 CT SEPARATOR	70	1,2	0,991	3006953
100 CT SEPARATOR	95	1,2	1,271	3006952

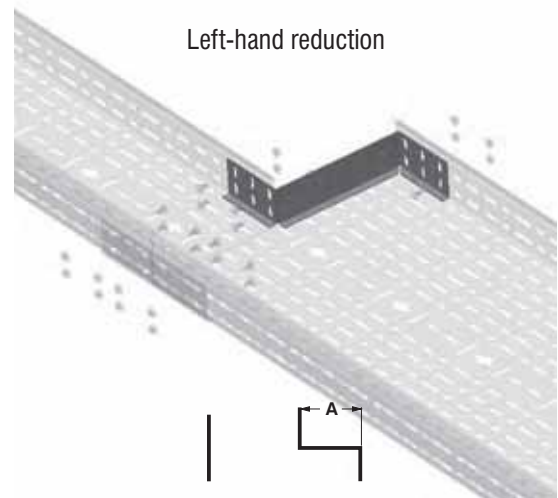


- Please state the order code when ordering.
- For special orders and specifications please contact us.
- Material weights may vary by $\pm 10\%$

▶▶ CTK LEFT-HAND REDUCTION

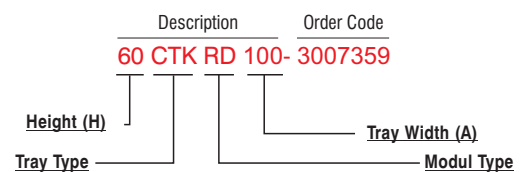
Hot Dip Galvanized After Fabrication (TS EN ISO 1461)

Description	H (mm)	A (mm)	T (mm)	Weight (kg./pc.)	Order Code
60 CTK RD 50	60	50	2	0,187	3007358
60 CTK RD100	60	100	2	0,229	3007359
60 CTK RD150	60	150	2	0,271	3007360
60 CTK RD200	60	200	2	0,312	3007361
60 CTK RD250	60	250	2	0,355	3007362
60 CTK RD300	60	300	2	0,397	3007363
75 CTK RD 50	75	50	2	0,238	3007364
75 CTK RD100	75	100	2	0,293	3007365
75 CTK RD150	75	150	2	0,348	3007366
75 CTK RD200	75	200	2	0,403	3007367
75 CTK RD250	75	250	2	0,458	3007368
75 CTK RD300	75	300	2	0,513	3007369
100 CTK RD 50	100	50	2	0,329	3007370
100 CTK RD100	100	100	2	0,406	3007371
100 CTK RD150	100	150	2	0,483	3007372
100 CTK RD200	100	200	2	0,559	3007373
100 CTK RD250	100	250	2	0,636	3007374
100 CTK RD300	100	300	2	0,713	3007375



H=060 single row perforated.
H=075 two rows perforated.
H=100 three rows perforated.

Sample Order:
Height (H): 40 mm,
Width (A): 100 mm,
Sheet Thickness (T): 2 mm,
Coating Type (S): Hot Dip Galvanized,
Module Type: Left-hand reduction.

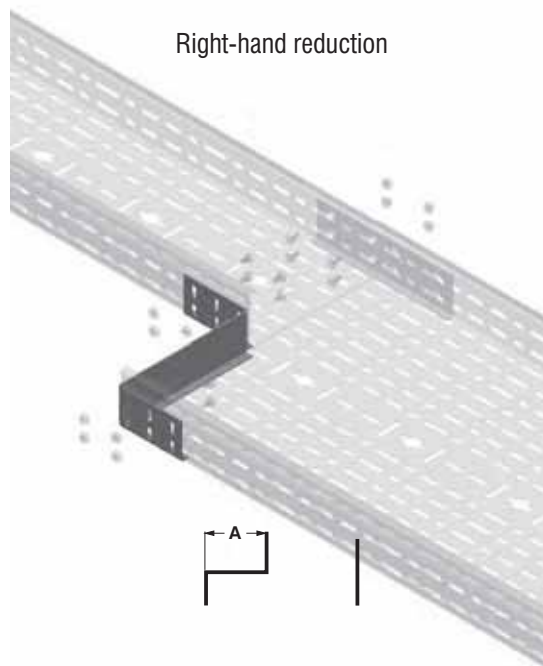


- Please state the order code when ordering.
- For special orders and specifications please contact us.
- Material weights may vary by ± 10%

▶▶ CTK RIGHT-HAND REDUCTION

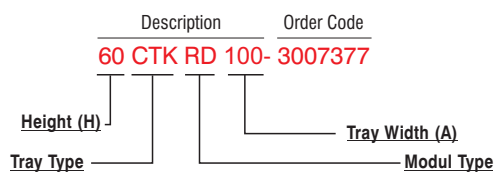
Hot Dip Galvanized After Fabrication (TS EN ISO 1461)

Description	H (mm)	A (mm)	T (mm)	Weight (kg./pc.)	Order Code
60 CTK RD 50	60	50	2	0,187	3007376
60 CTK RD100	60	100	2	0,229	3007377
60 CTK RD150	60	150	2	0,271	3007378
60 CTK RD200	60	200	2	0,312	3007379
60 CTK RD250	60	250	2	0,355	3007380
60 CTK RD300	60	300	2	0,397	3007381
75 CTK RD 50	75	50	2	0,238	3007382
75 CTK RD100	75	100	2	0,293	3007383
75 CTK RD150	75	150	2	0,348	3007384
75 CTK RD200	75	200	2	0,403	3007385
75 CTK RD250	75	250	2	0,458	3007386
75 CTK RD300	75	300	2	0,513	3007387
100 CTK RD 50	100	50	2	0,329	3007388
100 CTK RD100	100	100	2	0,406	3007389
100 CTK RD150	100	150	2	0,483	3007390
100 CTK RD200	100	200	2	0,559	3007391
100 CTK RD250	100	250	2	0,636	3007392
100 CTK RD300	100	300	2	0,713	3007393



H=060 single row perforated.
H=075 two rows perforated.
H=100 three rows perforated.

Sample Order:
Height (H): 60 mm,
Width (A): 100 mm,
Sheet Thickness (T): 2 mm,
Coating Type (S): Hot Dip Galvanized,
Module Type: Right-hand reduction

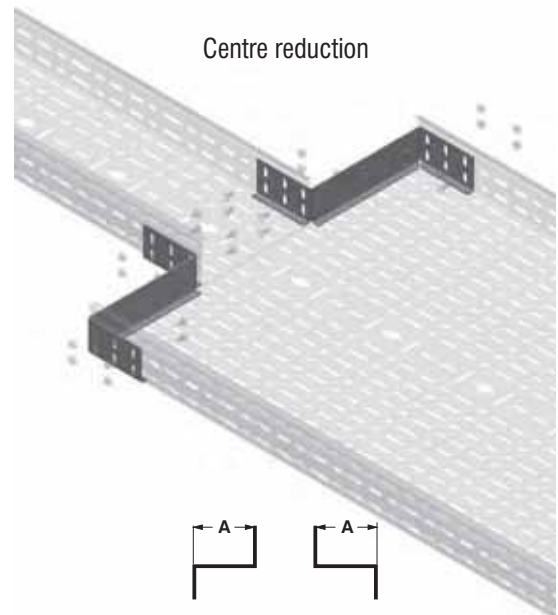


- Please state the order code when ordering.
- For special orders and specifications please contact us.
- Material weights may vary by ± 10%

▶▶ CTK CENTRE REDUCTION

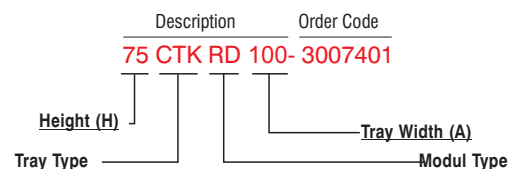
Hot Dip Galvanized After Fabrication (TS EN ISO 1461)

Description	H (mm)	A (mm)	T (mm)	Weight (kg./set.)	Order Code
60 CTK RD 50	60	50	2	0,374	3007394
60 CTK RD100	60	100	2	0,458	3007395
60 CTK RD150	60	150	2	0,541	3007396
60 CTK RD200	60	200	2	0,625	3007397
60 CTK RD250	60	250	2	0,711	3007398
60 CTK RD300	60	300	2	0,794	3007399
<hr/>					
75 CTK RD 50	75	50	2	0,475	3007400
75 CTK RD100	75	100	2	0,585	3007401
75 CTK RD150	75	150	2	0,695	3007402
75 CTK RD200	75	200	2	0,805	3007403
75 CTK RD250	75	250	2	0,915	3007404
75 CTK RD300	75	300	2	1,025	3007405
<hr/>					
100 CTK RD 50	100	50	2	0,658	3007406
100 CTK RD100	100	100	2	0,812	3007407
100 CTK RD150	100	150	2	0,966	3007408
100 CTK RD200	100	200	2	1,118	3007409
100 CTK RD250	100	250	2	1,272	3007410
100 CTK RD300	100	300	2	1,426	3007411



H=060 single row perforated.
H=075 two rows perforated.
H=100 three rows perforated.

Sample Order:
Height (H): 75 mm,
Width (A): 100 mm,
Sheet Thickness (T): 2 mm,
Coating Type (S): Hot Dip Galvanized,
Module Type: Centre reduction.

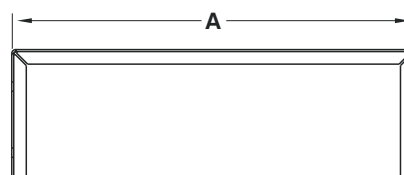
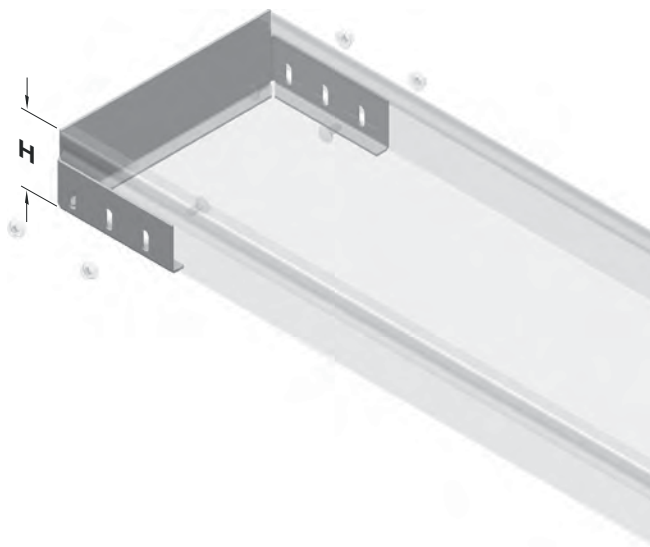


- Please state the order code when ordering.
- For special orders and specifications please contact us.
- Material weights may vary by ± 10%

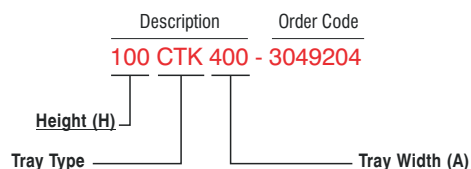
▶▶ CTK END COVER

Hot Dip Galvanized After Fabrication (TS EN ISO 1461)

Description	H (mm)	A (mm)	T (mm)	Weight (kg./pc.)	Order Code
060 CTK 100	62	106	1,5	0,222	3049183
060 CTK 150	62	156	1,5	0,268	3049184
060 CTK 200	62	206	1,5	0,315	3049185
060 CTK 250	62	256	1,5	0,361	3049186
060 CTK 300	62	306	1,5	0,407	3049187
060 CTK 400	62	406	1,5	0,501	3049188
060 CTK 500	62	506	1,5	0,593	3049189
060 CTK 600	62	606	1,5	0,685	3049190
<hr/>					
075 CTK 100	77	106	1,5	0,276	3049191
075 CTK 150	77	156	1,5	0,332	3049192
075 CTK 200	77	206	1,5	0,388	3049193
075 CTK 250	77	256	1,5	0,444	3049194
075 CTK 300	77	306	1,5	0,501	3049195
075 CTK 400	77	406	1,5	0,613	3049196
075 CTK 500	77	506	1,5	0,725	3049197
075 CTK 600	77	606	1,5	0,837	3049198
<hr/>					
100 CTK 100	102	106	1,5	0,372	3049199
100 CTK 150	102	156	1,5	0,444	3049200
100 CTK 200	102	206	1,5	0,516	3049201
100 CTK 250	102	256	1,5	0,589	3049202
100 CTK 300	102	306	1,5	0,661	3049203
100 CTK 400	102	406	1,5	0,805	3049204
100 CTK 500	102	506	1,5	0,949	3049205
100 CTK 600	102	606	1,5	1,095	3049206



Sample Order:



- Please state the order code when ordering.
- For special orders and specifications please contact us.
- Material weights may vary by ± 10%

E-LINE TLS

CABLE TRAY SYSTEMS



Mesh Wire Cable Tray



TLS

E-Line TLS

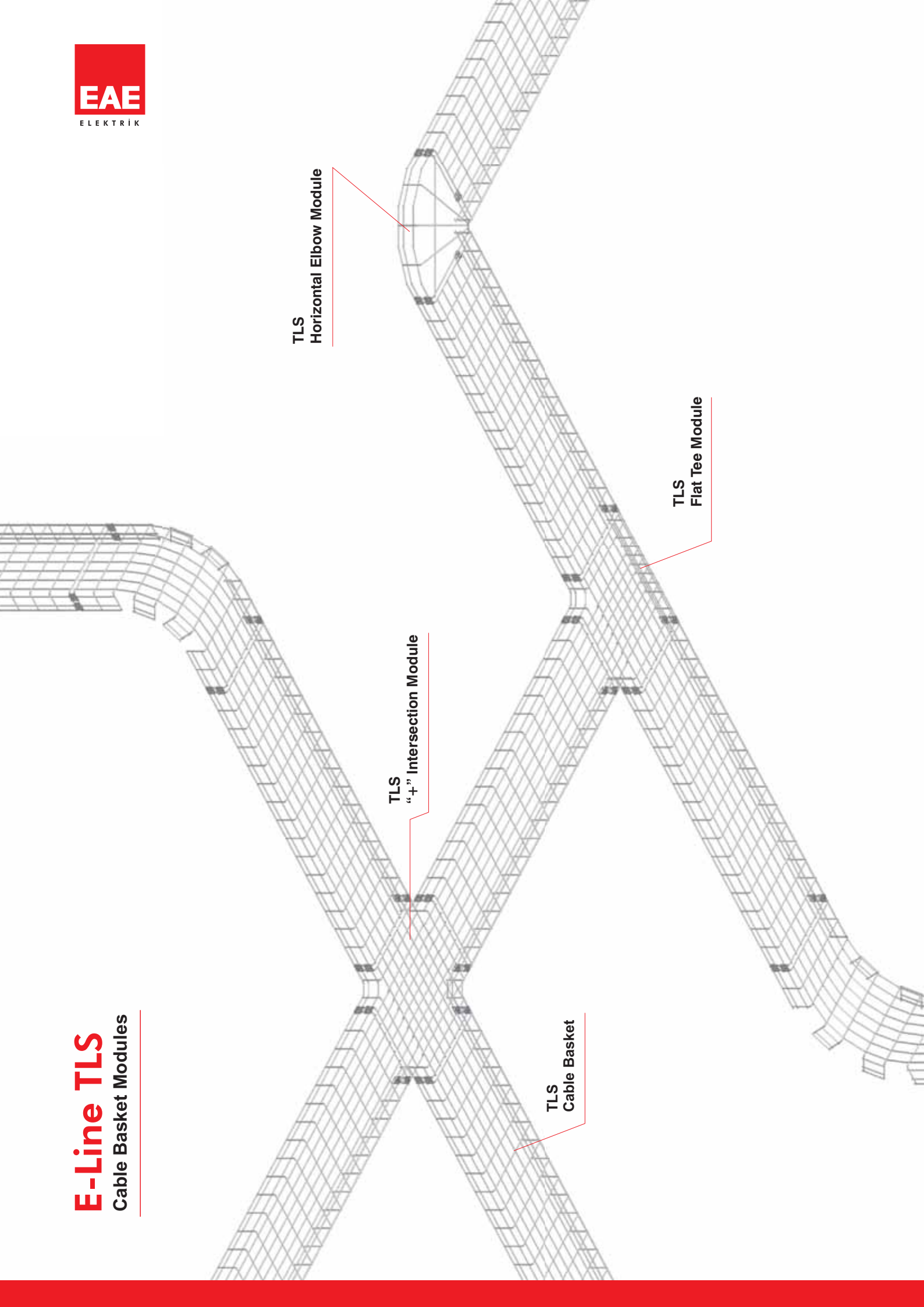
Cable Basket Modules

TLS
Horizontal Elbow Module

TLS
“+” Intersection Module

TLS
Flat Tee Module

TLS
Cable Basket



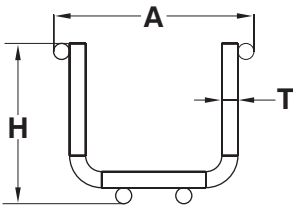
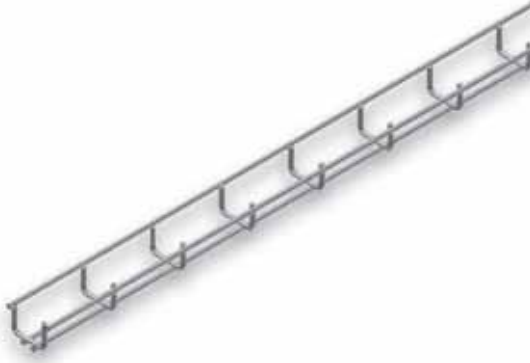
CONTENTS

2-5	Wire Mesh Trays
6-7	Wire Mesh Joint Fitting
8	Application Examples
9	TLS Single Rod Z-Holder
10	TLS Snap-On U-Profile
11	TLS Snap-on Omega-Profile
12	TLS Omega-Duct Carrier
13	TLS V Duct Carrier
14	TLS Fixing Unit
15	TLS Landing Plate
16	TLS Mounting Plate
17	TLS Union Outlet Element
18	TLS Separator
19	TLS Slotted Straight Strip
20	TLS Slotted L-Strip
21	TLS Fixture Holder
22	Wire Mesh Side Dropout Module Type 1
23	Wire Mesh Side Dropout Module Type 2
24	Wire Mesh Bottom Dropout Module
25	Cover, Cover Clamps
26	Wire Mesh Level Adaptation Module
27	Wire Mesh Tabbed Earthing Connector
28-29	Earthing Components
30	Grounding Washer
31-37	Application Examples
38-39	Horizontal Elbow Application Examples
40	Design Form

CABLE TRAY MODULES

►► **WIRE MESH TRAYS** Electrogalvanized (TS 149)

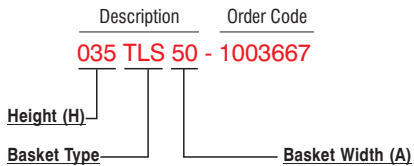
Description	H (mm)	A (mm)	T (Ø mm)	Weight (kg./m.)	Order Code
035 TLS 50	35	50	4	0,50	3187808
050 TLS 50	50	50	4	0,81	3184155



H=035, single row wire.
H=050 2 row wire.

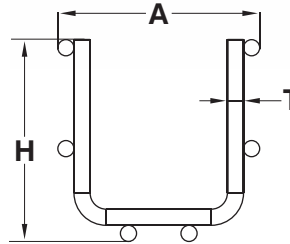
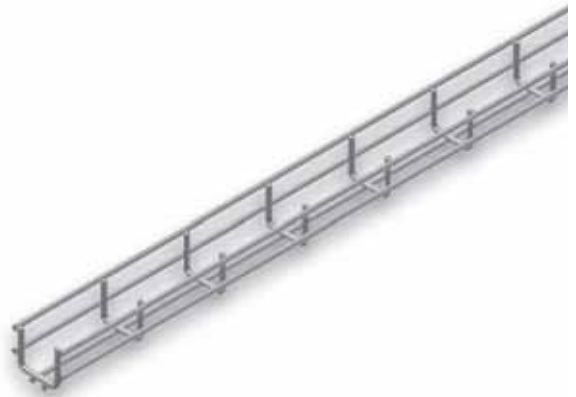
Sample Order:

Height (H): 35 mm,
Width (A): 50 mm,
Wire Thickness (T): 4 mm,
Finish Type (S): Electrogalvanized,
Module Type: Cable Basket.



►► **WIRE MESH TRAYS** Stainless Steel (AISI 304)

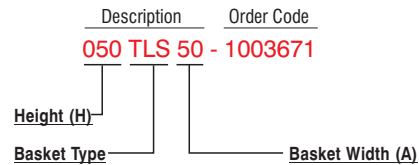
Description	H (mm)	A (mm)	T (Ø mm)	Weight (kg./m.)	Order Code
035 TLS 50	35	50	4	0,50	3194417
050 TLS 50	50	50	4	0,81	3194430



H=035, single row wire.
H=050 2 row wire.

Sample Order:

Height (H): 50 mm,
Width (A): 50 mm,
Wire Thickness (T): 4 mm,
Finish Type (S): Stainless Steel,
Module Type: Cable Basket.

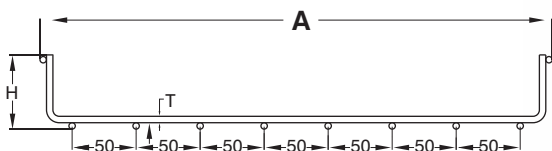


►► **WIRE MESH TRAYS** Electrogalvanized (TS 149)

Description	H (mm)	A (mm)	T (Ø mm)	Weight (kg./m.)	Order Code
035 TLS 100	35	100	4	0,62	3178496
035 TLS 150	35	150	4	0,77	3194605
035 TLS 200	35	200	4	0,92	3178497
035 TLS 250	35	250	4	1,08	3194606
035 TLS 300	35	300	4	1,23	3178498
035 TLS 400	35	400	4	1,54	3178499
035 TLS 500	35	500	4	1,85	3178500
035 TLS 600	35	600	4	2,16	3178501
035 TLS 100	35	100	5	0,95	3178521
035 TLS 150	35	150	5	1,19	3194599
035 TLS 200	35	200	5	1,43	3178522
035 TLS 250	35	250	5	1,66	3194600
035 TLS 300	35	300	5	1,90	3178523
035 TLS 400	35	400	5	2,38	3178524
035 TLS 500	35	500	5	2,86	3178525
035 TLS 600	35	600	5	3,34	3178526

►► **WIRE MESH TRAYS** Stainless Steel (AISI 304)

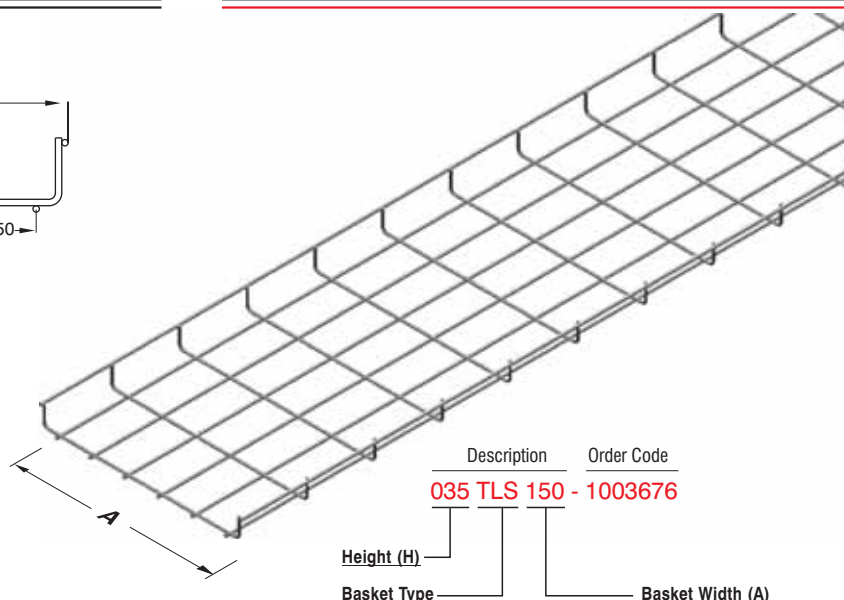
Description	H (mm)	A (mm)	T (Ø mm)	Weight (kg./m.)	Order Code
035 TLS 100	35	100	4	0,62	3194418
035 TLS 150	35	150	4	0,77	3194616
035 TLS 200	35	200	4	0,92	3194420
035 TLS 250	35	250	4	1,08	3194619
035 TLS 300	35	300	4	1,23	3194422
035 TLS 400	35	400	4	1,54	3194424
035 TLS 500	35	500	4	1,85	3194426
035 TLS 600	35	600	4	2,16	3194428
035 TLS 100	35	100	5	0,95	3194419
035 TLS 150	35	150	5	1,19	3194618
035 TLS 200	35	200	5	1,43	3194421
035 TLS 250	35	250	5	1,66	3194620
035 TLS 300	35	300	5	1,90	3194423
035 TLS 400	35	400	5	2,38	3194425
035 TLS 500	35	500	5	2,86	3194427
035 TLS 600	35	600	5	3,34	3194429



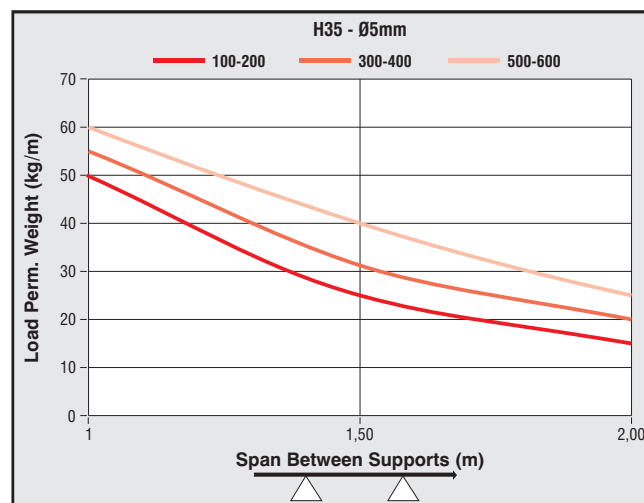
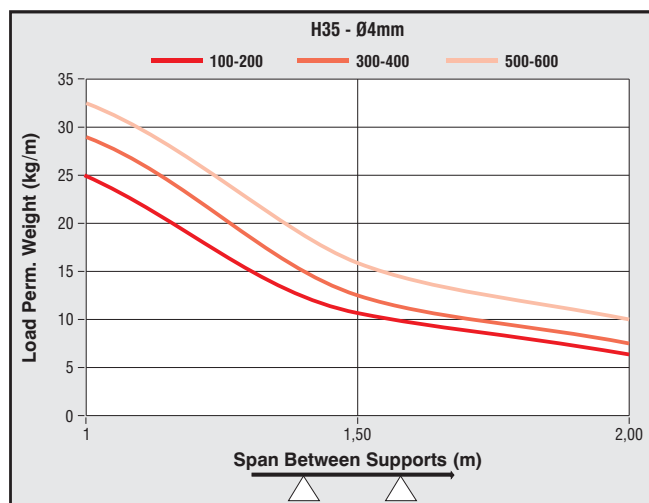
H=035, single row wire.
H=055, two rows wire.
H=100, three rows wire.

Sample Order:

Height (H): 35 mm,
Width (A): 150 mm,
Cable Thickness (T): 4 mm,
Finish Type (S): Electrogalvanized,
Module Type: Cable Basket.



Description Order Code
035 TLS 150 - 1003676



■ Load Perm. Weight may change +/- according to the sheet tolerance and hardness.
Please contact to your customer representative for detailed information.

■ Please state the order code when ordering.
■ Standard Length 3000 mm.

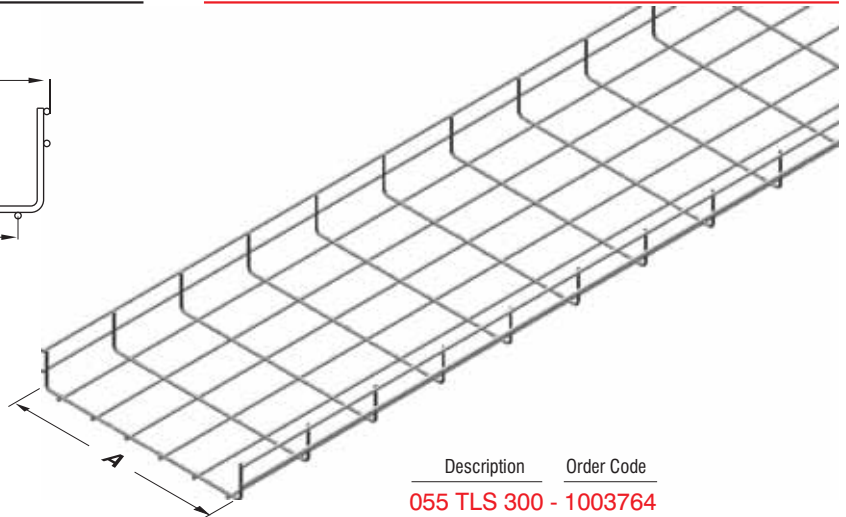
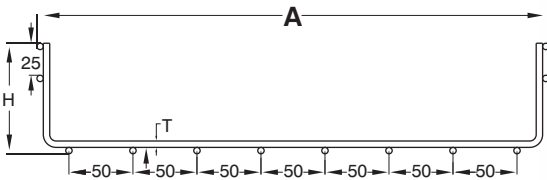
■ When special wire thickness are being used please contact our company.
■ Material weights may vary by ± 10%

►► **WIRE MESH TRAYS** Electrogalvanized (TS 149)

Description	H (mm)	A (mm)	T (Ø mm)	Weight (kg./m.)	Order Code
055 TLS 100	55	100	4	0,85	3178502
055 TLS 150	55	150	4	1,014	3188207
055 TLS 200	55	200	4	1,15	3178503
055 TLS 250	55	250	4	1,32	3194607
055 TLS 300	55	300	4	1,46	3178504
055 TLS 400	55	400	4	1,76	3178505
055 TLS 500	55	500	4	2,15	3178506
055 TLS 600	55	600	4	2,39	3178507
055 TLS 100	55	100	5	1,30	3178527
055 TLS 150	55	150	5	1,56	3194601
055 TLS 200	55	200	5	1,78	3178528
055 TLS 250	55	250	5	2,04	3194602
055 TLS 300	55	300	5	2,24	3178529
055 TLS 400	55	400	5	2,72	3178530
055 TLS 500	55	500	5	3,18	3178531
055 TLS 600	55	600	5	3,70	3178532

►► **WIRE MESH TRAYS** Stainless Steel (AISI 304)

Description	H (mm)	A (mm)	T (Ø mm)	Weight (kg./m.)	Order Code
055 TLS 100	55	100	4	0,85	3194431
055 TLS 150	55	150	4	1,01	3194433
055 TLS 200	55	200	4	1,15	3194434
055 TLS 250	55	250	4	1,32	3194622
055 TLS 300	55	300	4	1,46	3194436
055 TLS 400	55	400	4	1,76	3194438
055 TLS 500	55	500	4	2,15	3194440
055 TLS 600	55	600	4	2,39	3194442
055 TLS 100	55	100	5	1,30	3194432
055 TLS 150	55	150	5	1,56	3194621
055 TLS 200	55	200	5	1,78	3194435
055 TLS 250	55	250	5	2,04	3194623
055 TLS 300	55	300	5	2,24	3194437
055 TLS 400	55	400	5	2,72	3194439
055 TLS 500	55	500	5	3,18	3194441
055 TLS 600	55	600	5	3,70	3194443

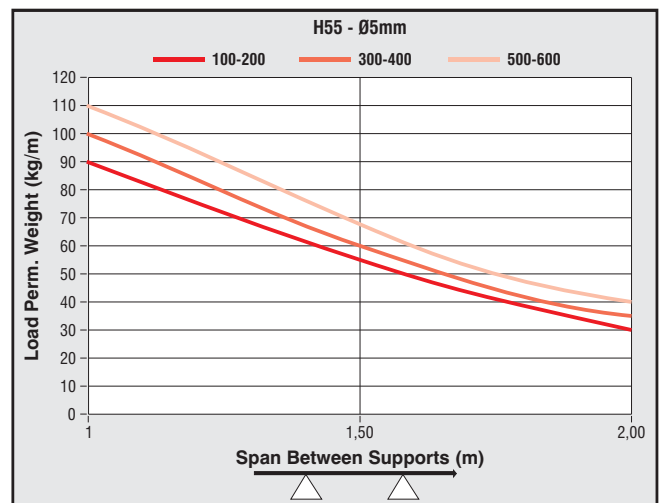
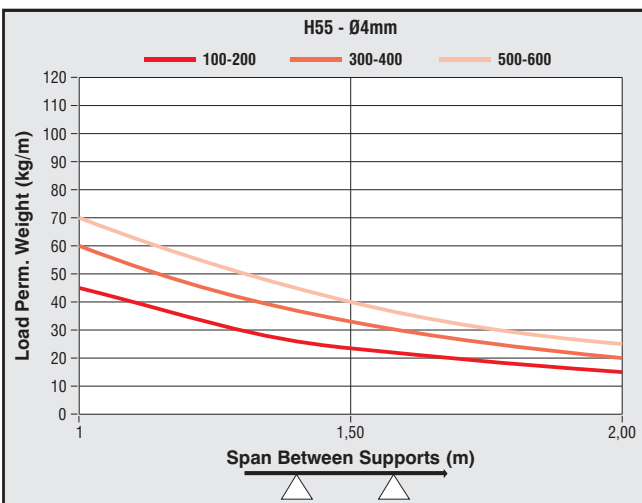


H=035, single row wire.
H=055, two rows wire.
H=100, three rows wire.

Sample Order:
Height (H): 55 mm,
Width (A): 300 mm,
Wire Thickness (T): 5 mm,
Finish Type (S): Electrogalvanized,
Module Type: Cable Basket.

Description Order Code
055 TLS 300 - 1003764

Height (H) Basket Type Basket Width (A)



■ Load Perm. Weight may change +/- according to the sheet tolerance and hardness.
Please contact to your customer representative for detailed information.

■ Please state the order code when ordering.
■ Standard Length 3000 mm.

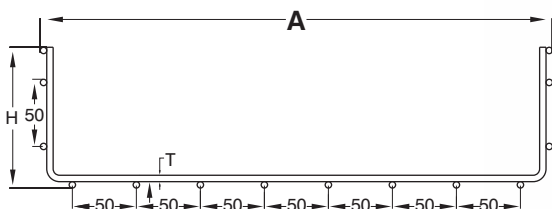
■ When special wire thickness are being used please contact our company.
■ Material weights may vary by ± 10%

►► **WIRE MESH TRAYS** Electrogalvanized (TS 149)

Description	H (mm)	A (mm)	T (Ø mm)	Weight (kg./m.)	Order Code
100 TLS 200	100	200	4	1,45	3178509
100 TLS 250	100	250	4	1,60	3194609
100 TLS 300	100	300	4	1,77	3178510
100 TLS 400	100	400	4	2,07	3178511
100 TLS 500	100	500	4	2,37	3178512
100 TLS 600	100	600	4	2,70	3178513
100 TLS 200	100	200	5	2,16	3178534
100 TLS 250	100	250	5	2,44	3194604
100 TLS 300	100	300	5	2,73	3178535
100 TLS 400	100	400	5	3,20	3178536
100 TLS 500	100	500	5	3,65	3178537
100 TLS 600	100	600	5	4,17	3178538

►► **WIRE MESH TRAYS** Stainless Steel (AISI 304)

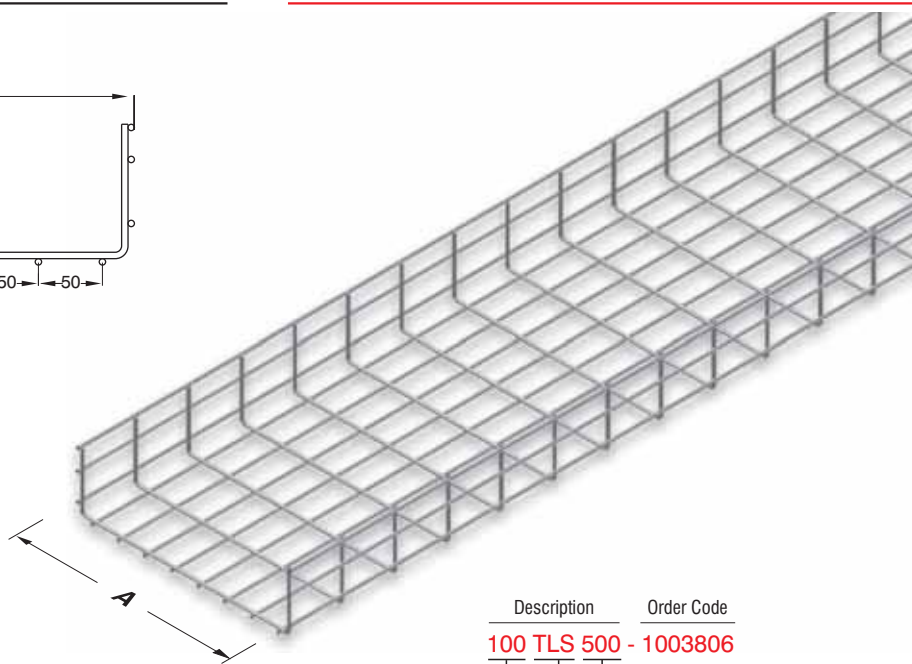
Description	H (mm)	A (mm)	T (Ø mm)	Weight (kg./m.)	Order Code
100 TLS 200	100	200	4	1,45	3194446
100 TLS 250	100	250	4	1,60	3194626
100 TLS 300	100	300	4	1,77	3194448
100 TLS 400	100	400	4	2,07	3194450
100 TLS 500	100	500	4	2,37	3194452
100 TLS 600	100	600	4	2,70	3194454
100 TLS 200	100	200	5	2,16	3194447
100 TLS 250	100	250	5	2,44	3194627
100 TLS 300	100	300	5	2,73	3194449
100 TLS 400	100	400	5	3,20	3194451
100 TLS 500	100	500	5	3,65	3194453
100 TLS 600	100	600	5	4,17	3194455



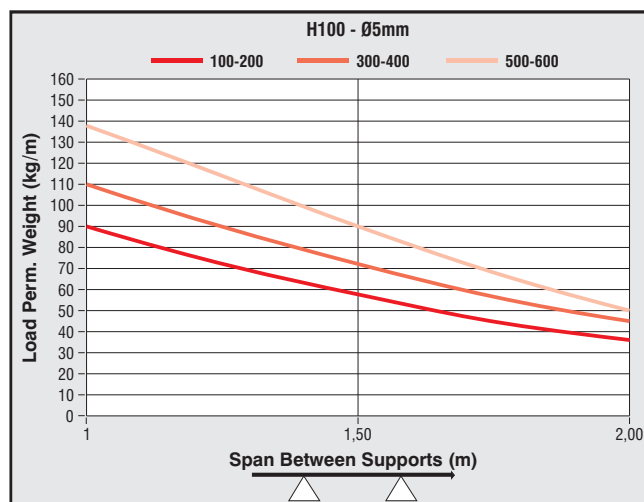
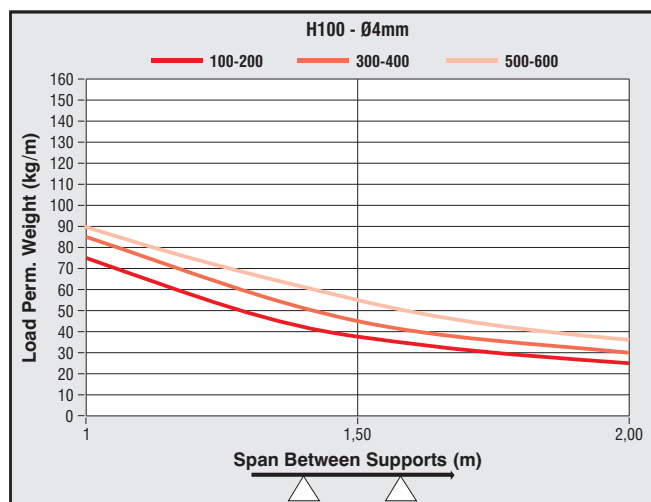
H=035, single row wire.
H=055, two rows wire.
H=100, three rows wire.

Sample Order:

Height (H): 100 mm,
Width (A): 500 mm,
Wire Thickness (T): 5 mm,
Finish Type (S): Electrogalvanized,
Module Type: Cable Basket.



	Description	Order Code
	100 TLS 500 - 1003806	
Height (H)		
Basket Type		Basket Width (A)



■ Load Perm. Weight may change +/- according to the sheet tolerance and hardness.

Please contact to your customer representative for detailed information.

■ Please state the order code when ordering.

■ Standard Length 3000 mm.

■ When special wire thickness are being used please contact our company.

■ Material weights may vary by ± 10%



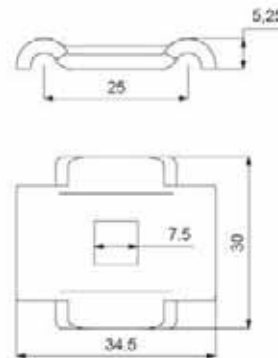
►► **WIRE MESH JOINT FITTING** Pre-galvanized (TS 10143)

Description	T (mm)	Weight (kg./set.)	Order Code
TLS Wire Mesh Bolt (EG: Electrogalvanized)	2,5 mm	0,040	3000624
M6x20 Dished Head Bolt Set (EG: Electrogalvanized)	-	0,020	1002984
TLS Wire Mesh Bolt (AISI 304)	2,5 mm	0,040	3000625
M6x20 Dished Head Bolt Set (EG: AISI 304)	-	0,020	1000923

Wire Mesh Joint Fitting Assembly;

- 1 Piece Wire Mesh Joint Fitting
- 1 Piece M6x20 Round Head Joint Fitting
- 1 Piece M6 Nut is Needed.

►► **APPLICATION EXAMPLES**



►► **DURING INSTALLATION;
NUMBER OF ADDITIONAL ELEMENTS TO BE USED:**

Tray Width	H35			H55			H100		
	Side ↕	Bottom ↔	Total	Side ↕	Bottom ↔	Total	Side ↕	Bottom ↔	Total
100	2	0	2	2	0	2	-	-	-
150	2	0	2	2	0	2	-	-	-
200	2	1	3	2	1	3	4	1	5
250	2	1	3	2	1	3	4	1	5
300	2	2	4	2	2	4	4	2	6
400	2	2	4	2	2	4	4	2	6
500	2	3	5	2	3	5	4	3	7
600	2	3	5	2	3	5	4	3	7

■ Please state the order code when ordering.
■ Standard Length 3000 mm.

■ When special wire thickness are being used please contact our company.
■ Material weights may vary by ± 10%



►► **WIRE MESH JOINT FITTING** Electrogalvanized (TS 149)

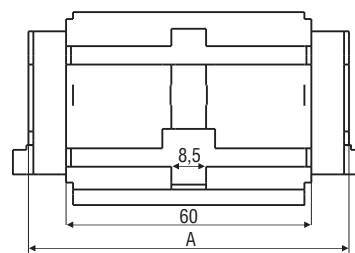
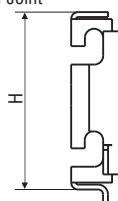
Description	H (mm)	A (mm)	T (mm)	Weight (kg./pc.)	Order Code
WIRE CONDUIT JOINT (Boltless)	45	78	1,2	0,047	3108825
WIRE CONDUIT JOINT (Boltless Bottom)	35	1,2	0,020	3125835	

- Wire Mesh Boltless Lateral Joint is used in \varnothing 4 mm / H: 055 - H: 100 / A : 100-250-300-400-500-600 Wire Cable Mesh.
- Wire Mesh Boltless Lateral Joint is not used in \varnothing 5 mm Wire Cable Mesh
- 1 piece of Wire Mesh Boltless Bottom Joint is used for A:200-250 where 2 pieces are used for A: 300-400 and 3 pieces are used for A: 500-600.

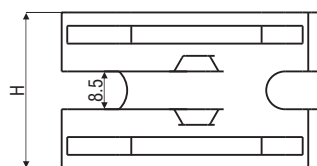
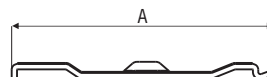
PATENT NO 2017 02893



Wire Mesh Boltless Lateral Joint



Wire Mesh Boltless Bottom Joint

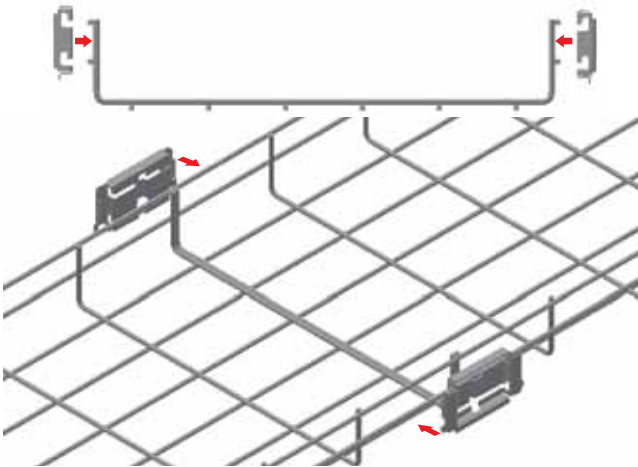


■ Please state the order code when ordering.

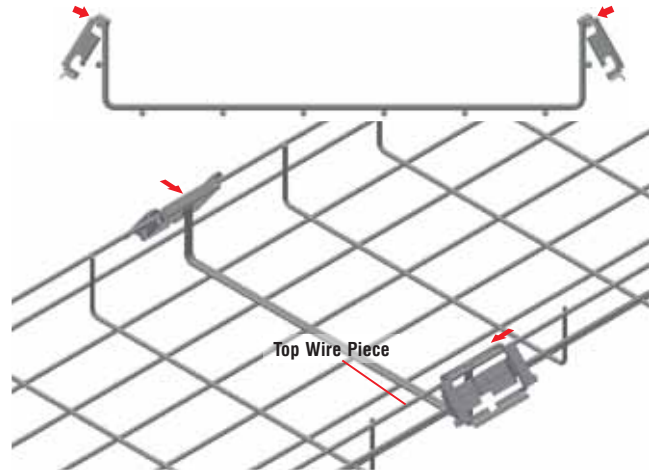
■ When special wire thickness are being used please contact our company.

■ Material weights may vary by \pm 10%

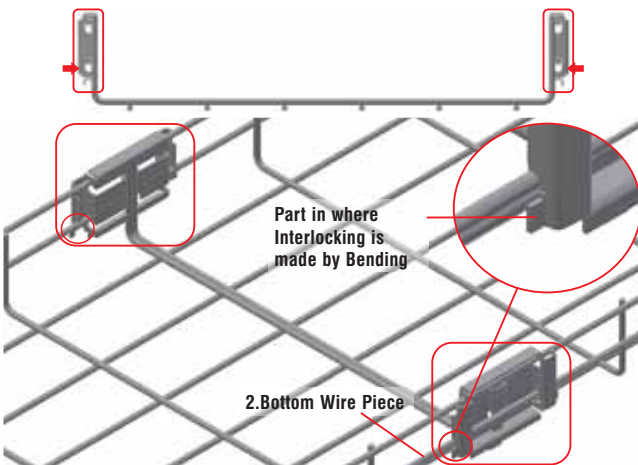
►► APPLICATION EXAMPLES



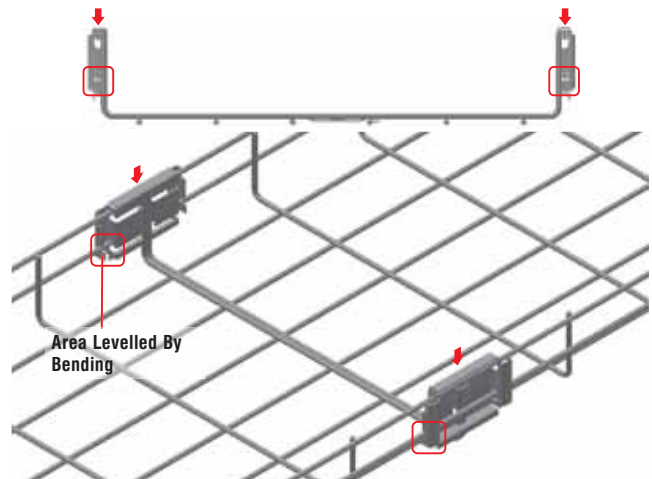
■ Wire mesh boltless lateral joint elements are aligned on junction wires of two wire mesh as shown on the figure.



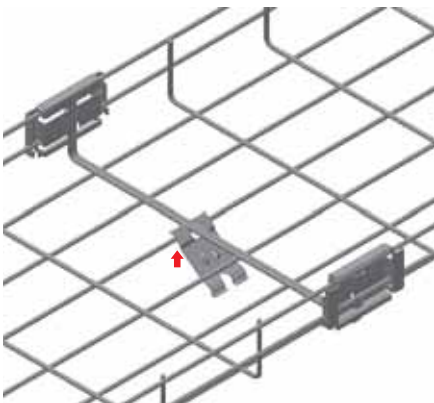
■ Upper wire slot of the lateral joint element is placed as angular on upper wire of wire mesh.



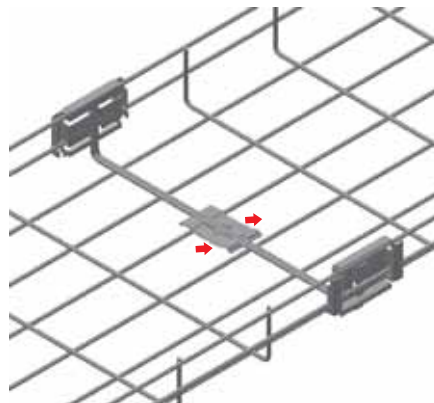
■ Bottom wire mesh of the lateral joint element is placed on the bottom wire of the wire mesh.



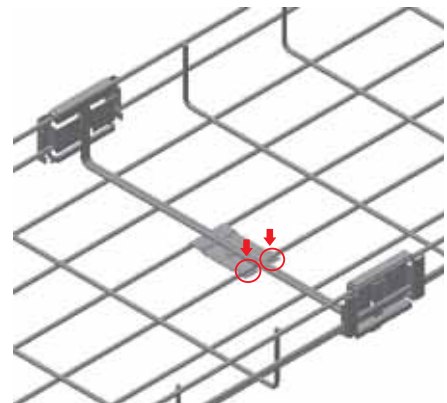
■ Wire mesh tray lateral joint elements are clamped by hand towards top to down direction. The assembly step shall be completed by bending 2 latches corresponding to the lower part of the bottom wire with the help of a pincer with an angle of 90°.



■ Bottom Joint element is fixed from the lower side of the conduit as shown in the figure.



■ Bottom Joint element is slid upon levelling after passing through the bottom of the conduit.



■ Interlocking process is performed by pressing tips of bottom joint element by hand.

■ Please state the order code when ordering.

■ Material weights may vary by $\pm 10\%$

■ When special wire thickness are being used please contact our company.



►► **TLS SINGLE ROD Z-HOLDER** Pre-galvanized (TS 10143)

Description	T (mm)	Weight (kg./set.)	Order Code
TLS SINGLE ROD Z-HOLDER (1 Set)	2,0 mm	0,120	3179554

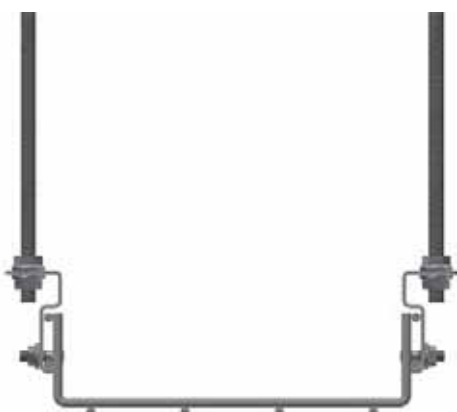
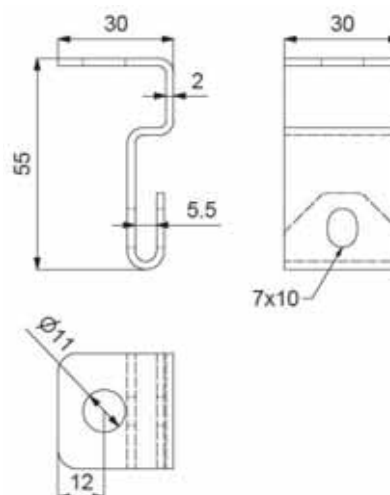
TLS SINGLE ROD Z-HOLDER” Contents Of 1 Set Of ;

- 2 Piece Z-HOLDER
- 2 Piece M6x20 Dished Head Bolt
- 2 Piece M6 Nuts Should Be Used.

Necessary Accessories For Assembly ;

- 1 Piece Rod (M8 / M10 x L)
- 2 Piece Nut (M8 / M10)

►► **APPLICATION EXAMPLES**



■ Please state the order code when ordering.
 ■ Standard Length 3000 mm.

■ When special wire thickness are being used please contact our company.
 ■ Material weights may vary by $\pm 10\%$



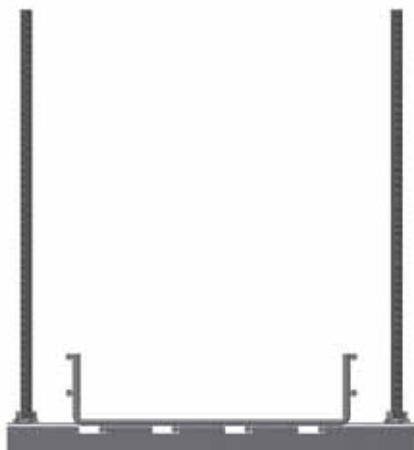
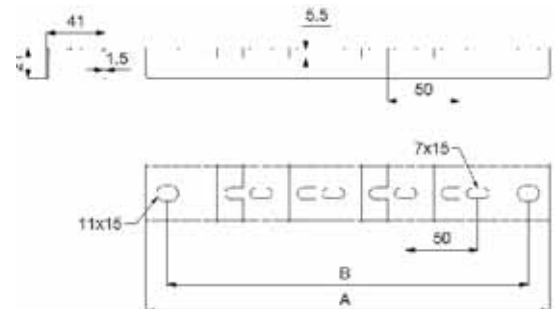
►► **TLS SNAP-ON U-PROFILE 41x21x1,5** Pre-galvanized (TS 10143)

Description	A (mm)	B (mm)	T (mm)	Weight (kg./Set.)	Order Code
TLS SNAP-ON U-PROFILE 050	130	100	1,5 mm	0,097	3179559
TLS SNAP-ON U-PROFILE 100	180	140	1,5 mm	0,142	3179560
TLS SNAP-ON U-PROFILE 150	230	190	1,5 mm	0,177	3179561
TLS SNAP-ON U-PROFILE 200	280	240	1,5 mm	0,213	3179562
TLS SNAP-ON U-PROFILE 250	330	290	1,5 mm	0,248	3179563
TLS SNAP-ON U-PROFILE 300	380	340	1,5 mm	0,283	3179564
TLS SNAP-ON U-PROFILE 400	480	440	1,5 mm	0,354	3179565
TLS SNAP-ON U-PROFILE 500	580	540	1,5 mm	0,420	3179566
TLS SNAP-ON U-PROFILE 600	680	640	1,5 mm	0,495	3179567

Wire Mesh Joint Fitting Assembly;

- 2 piece Rod (M8 / M10 x L)
- 4 piece Nut (M8 / M10)

►► **APPLICATION EXAMPLES**



■ Please state the order code when ordering.
 ■ Standard Length 3000 mm.

■ When special wire thickness are being used please contact our company.
 ■ Material weights may vary by ± 10%



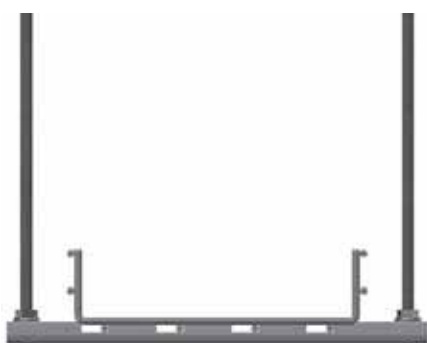
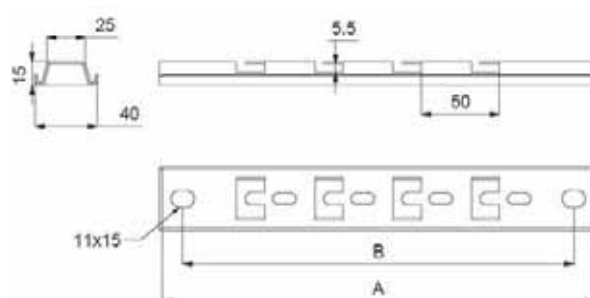
►► **TLS SNAP-ON OMEGA-PROFILE 41x15x1,5** Pre-galvanized (TS 10143)

Description	A (mm)	B (mm)	T (mm)	Weight (kg./set.)	Order Code
TLS SNAP-ON OMEGA-PROFILE 050	130	100	1,5 mm	0,085	3179569
TLS SNAP-ON OMEGA-PROFILE 100	180	140	1,5 mm	0,123	3179570
TLS SNAP-ON OMEGA-PROFILE 150	230	190	1,5 mm	0,155	3179571
TLS SNAP-ON OMEGA-PROFILE 200	280	240	1,5 mm	0,188	3179572
TLS SNAP-ON OMEGA-PROFILE 250	330	290	1,5 mm	0,220	3179573
TLS SNAP-ON OMEGA-PROFILE 300	380	340	1,5 mm	0,252	3179574
TLS SNAP-ON OMEGA-PROFILE 400	480	440	1,5 mm	0,317	3179575
TLS SNAP-ON OMEGA-PROFILE 500	580	540	1,5 mm	0,382	3179576
TLS SNAP-ON OMEGA-PROFILE 600	680	640	1,5 mm	0,446	3179577

Necessary Accessories For Assembly ;

- 2 Piece Rod (M8 / M10 x L)
- 4 Piece Nut (M8 / M10)

►► **APPLICATION EXAMPLES**



■ Please state the order code when ordering.
 ■ Standard Length 3000 mm.

■ When special wire thickness are being used please contact our company.
 ■ Material weights may vary by $\pm 10\%$



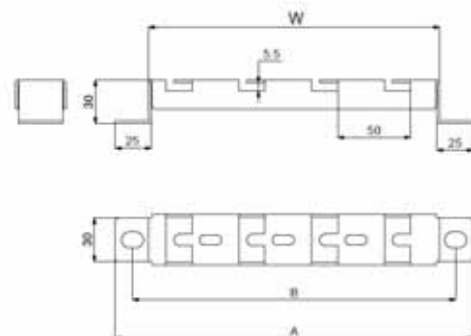
►► **TLS OMEGA-DUCT CARRIER** Pre-galvanized (TS 10143)

Description	A (mm)	B (mm)	W (mm)	T (mm)	Weight (kg./set.)	Order Code
TLS Tabbed OMEGA-Duct Carrier 050	95	70	50	2,0 mm	0,085	3179593
TLS Tabbed OMEGA-Duct Carrier 100	145	120	100	2,0 mm	0,125	3179594
TLS Tabbed OMEGA-Duct Carrier 150	195	170	150	2,0 mm	0,167	3179595
TLS Tabbed OMEGA-Duct Carrier 200	245	220	200	2,0 mm	0,209	3179596
TLS Tabbed OMEGA-Duct Carrier 250	295	270	250	2,0 mm	0,251	3179597
TLS Tabbed OMEGA-Duct Carrier 300	345	320	300	2,0 mm	0,293	3179598

Necessary accessories for assembly ;

- 2 pieces Dowel (M8 / M10)

►► **APPLICATION EXAMPLES**



■ Please state the order code when ordering.
■ Standard Length 3000 mm.

■ When special wire thickness are being used please contact our company.
■ Material weights may vary by $\pm 10\%$



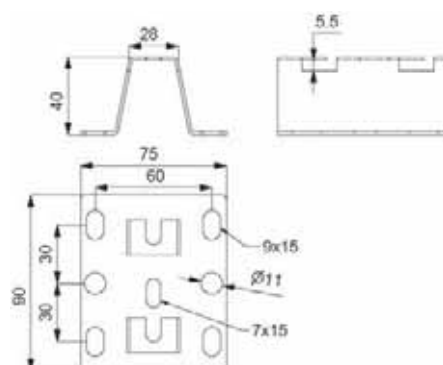
►► **TLS V DUCT CARRIER** Pre-galvanized (TS 10143)

Description	T (mm)	Weight (kg./set.)	Order Code
TLS V DUCT CARRIER	1,5 mm	0,123	3179599

Necessary Accessories For Assembly ;

- 2 pcs. Dowel (M8 / M10) (Ground Mounting)

►► **APPLICATION EXAMPLES**



- Please state the order code when ordering.
- Standard Length 3000 mm.

- When special wire thickness are being used please contact our company.
- Material weights may vary by $\pm 10\%$



►► **TLS FIXING UNIT** Pre-galvanized (TS 10143)

Description	T (mm)	Weight (kg./tk.)	Order Code
TLS FIXING UNIT	2,0 mm	0,037	3179600

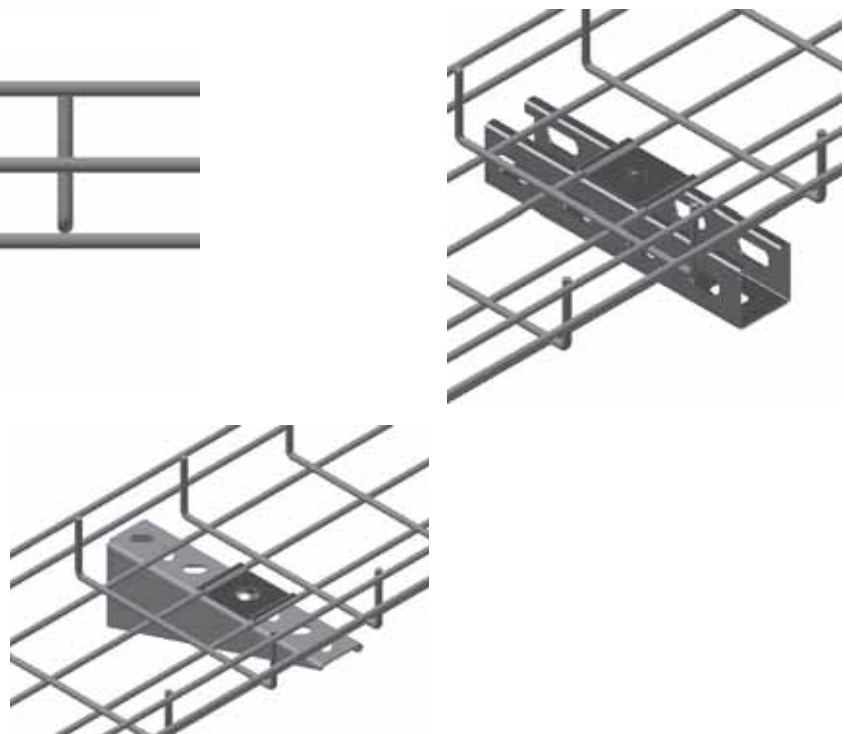
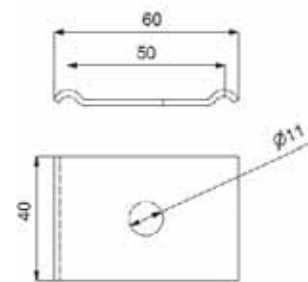
Accessories required to secure to BINRAK Profile;

- 1 AKB bolt pcs. (M8 x 20)
- 1 washer pcs. (M8)
- 1 Quick Traverse Nut pcs. (M8)

Accessories required to secure to the console;

- 1 pcs. M6 x 20 dished head bolt.
- 1 adet M6 flanged nut.

►► **APPLICATION EXAMPLES**



■ Please state the order code when ordering.
 ■ Standard Length 3000 mm.

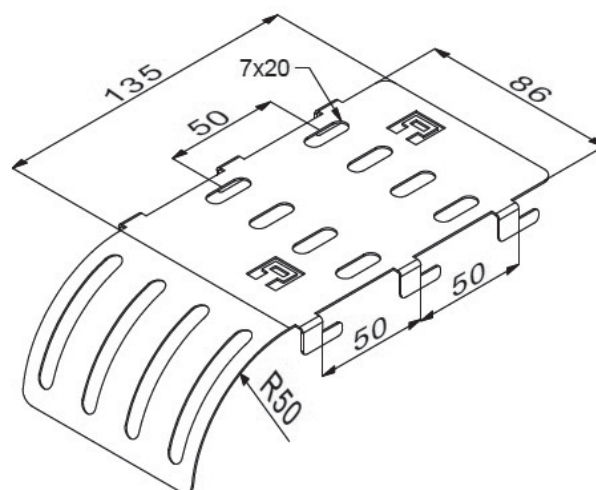
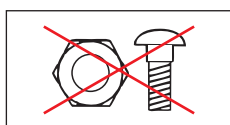
■ When special wire thickness are being used please contact our company.
 ■ Material weights may vary by $\pm 10\%$



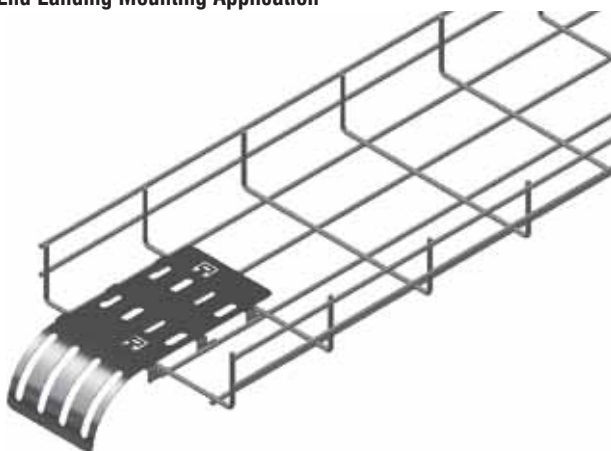
►► **TLS LANDING PLATE** Pre-galvanized (TS 10143)

Description	R (mm)	L (mm)	T (mm)	Weight (kg/tk.)	Order Code
TLS Landing Plate	50	192	1,2 mm	0,155	3179601

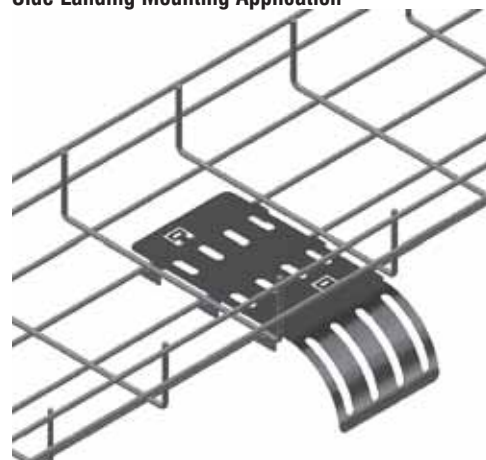
►► **APPLICATION EXAMPLES**



End Landing Mounting Application



Side Landing Mounting Application



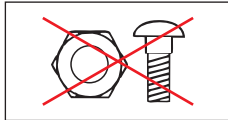
- Please state the order code when ordering.
- Standard Length 3000 mm.

- When special wire thickness are being used please contact our company.
- Material weights may vary by $\pm 10\%$

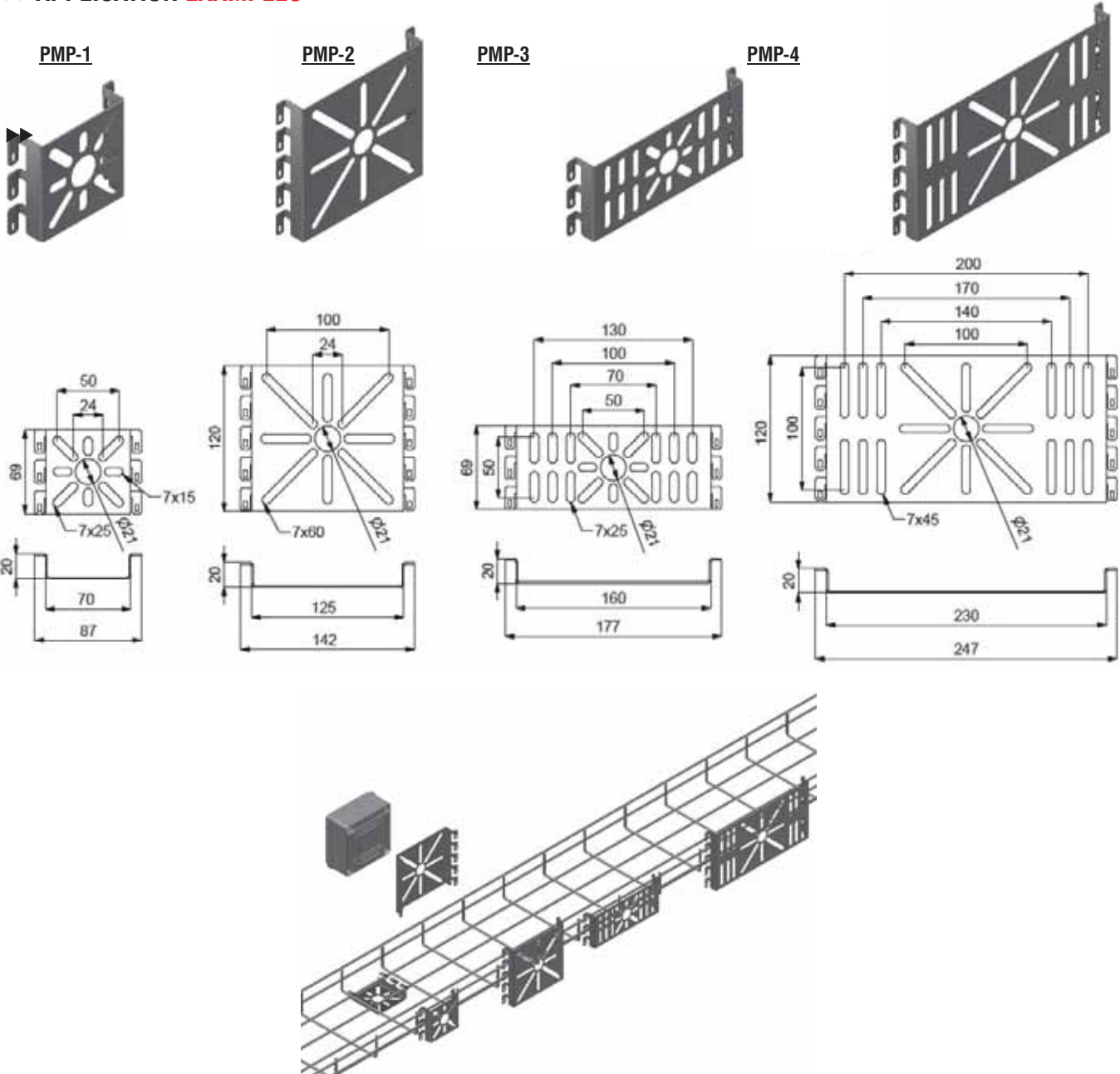


►► **TLS MOUNTING PLATE** Pre-galvanized (TS 10143)

Description	T (mm)	Weight (kg./tk.)	Order Code
TLS PMP-1	1,2 mm	0,056	3179602
TLS PMP-2	1,2 mm	0,158	3179603
TLS PMP-3	1,2 mm	0,098	3179604
TLS PMP-4	1,2 mm	0,238	3179605



►► **APPLICATION EXAMPLES**



- Please state the order code when ordering.
- Standard Length 3000 mm.

- When special wire thickness are being used please contact our company.
- Material weights may vary by ± 10%



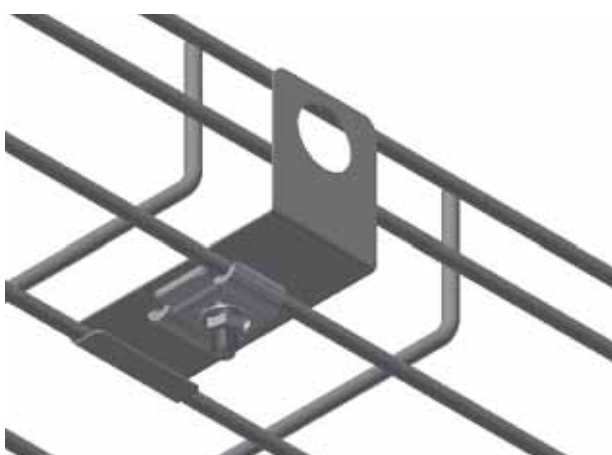
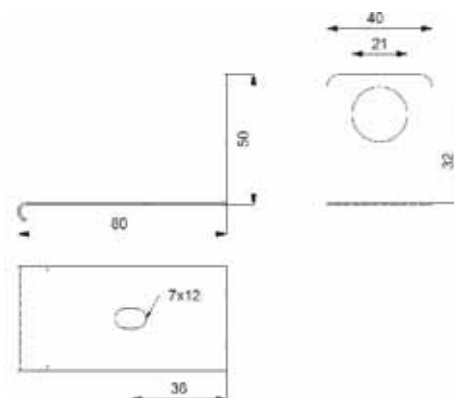
►► **TLS UNION OUTLET ELEMENT** Pre-galvanized (TS 10143)

Description	Ø (mm)	T (mm)	Weight (kg./tk.)	Order Code
TLS Union Outlet Element (1 Set)	21	1,2 mm	0,080	3179606

“Union Outlet Element” Content of 1 set;

- 1 pcs. Union Outlet Element
- 1 pcs. “Cable Basket Joint Fitting”
- 1 pcs. Dished Head Bolt M6x20
- 1 pcs. Nut M6.

►► **APPLICATION EXAMPLES**



■ Please state the order code when ordering.
 ■ Standard Length 3000 mm.

■ When special wire thickness are being used please contact our company.
 ■ Material weights may vary by $\pm 10\%$



►► **TLS SEPARATOR** Pre-galvanized (TS 10143)

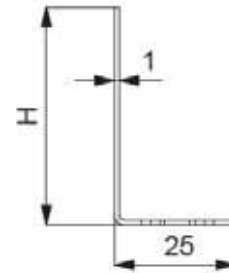
Description	H (mm)	L (mm)	T (mm)	Weight (kg./tk.)	Order Code
TLS Separator H35	24	3000	1,0 mm	0,349	3179608
TLS Separator H55	44	3000	1,0 mm	0,506	3179609
TLS Separator H100	89	3000	1,0 mm	0,859	3179610

Or;

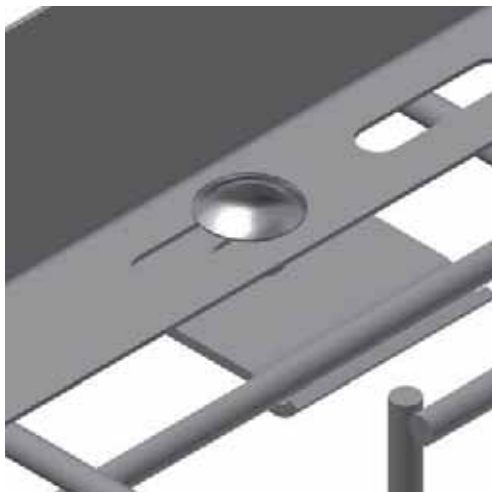
Can Be Ordered For Assembly :

- Wire Mesh Joint Fitting ;
- Dished Head Bolt M6x20
- Nut M6
- Fixing Unit ;
- Dished Head Bolt M6x20
- Nut M6

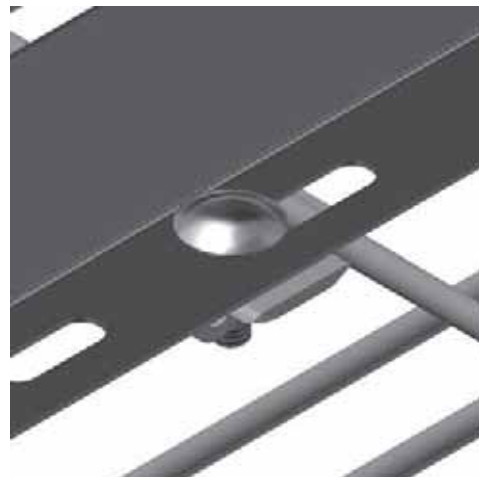
►► **APPLICATION EXAMPLES**



INSTALLATION WITH A FIXING ELEMENT



INSTALLATION WITH A WIRE DUCT ATTACHMENT



■ Please state the order code when ordering.
 ■ Standard Length 3000 mm.

■ When special wire thickness are being used please contact our company.
 ■ Material weights may vary by $\pm 10\%$



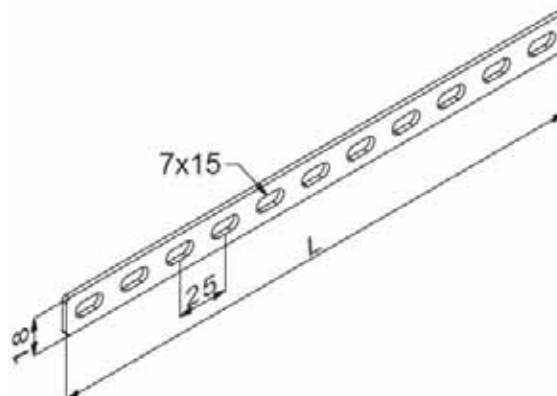
►► **TLS SLOTTED STRAIGHT STRIP** Pre-galvanized (TS 10143)

Description	H (mm)	L (mm)	T (mm)	Weight (kg./tk.)	Order Code
TLS SLOTTED STRAIGHT STRIP 275	18	275	2,5 mm	0,077	3179611
TLS SLOTTED STRAIGHT STRIP 550	18	550	2,5 mm	0,153	3179612
TLS SLOTTED STRAIGHT STRIP 1100	18	1100	2,5 mm	0,307	3179613

Accessories that shall be ordered in addition to 1 piece of “Slotted Straight Strip”:

- 3 pcs. Wire Mesh Joint Fitting
- 3 pcs. Dished Head Bolt M6x20
- 3 pcs. Nut M6.

►► **APPLICATION EXAMPLES**



■ Please state the order code when ordering.
 ■ Standard Length 3000 mm.

■ When special wire thickness are being used please contact our company.
 ■ Material weights may vary by $\pm 10\%$



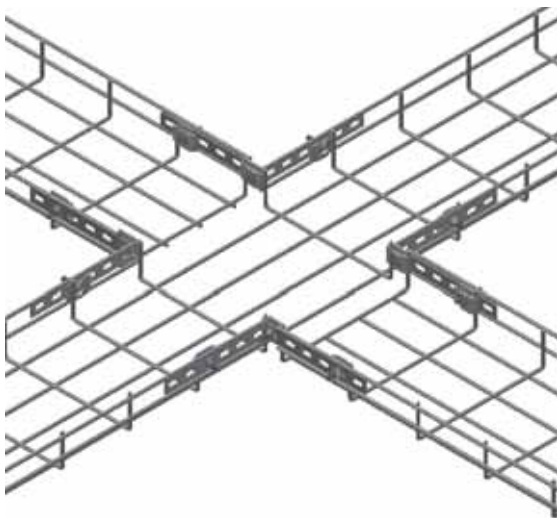
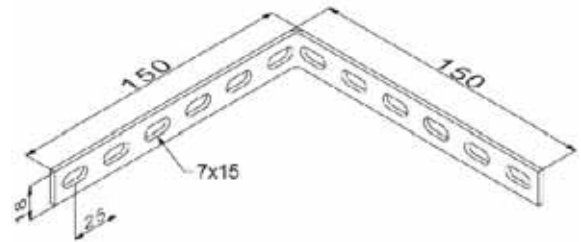
►► **TLS SLOTTED L-STRIP** Pre-galvanized (TS 10143)

Description	H (mm)	L (mm)	T (mm)	Weight (kg./tk.)	Order Code
TLS SLOTTED L-STRIP	18	150x150	2,5 mm	0,082	3179615

Accessories that shall be ordered in addition to 1 piece of "Slotted L-Strip":

- 3 pcs. Wire Mesh Joint Fitting
- 3 pcs. Dished Head Bolt M6x20
- 3 pcs. Nut M6.

►► **APPLICATION EXAMPLES**



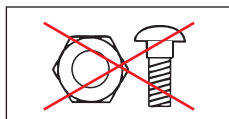
■ Please state the order code when ordering.
 ■ Standard Length 3000 mm.

■ When special wire thickness are being used please contact our company.
 ■ Material weights may vary by $\pm 10\%$

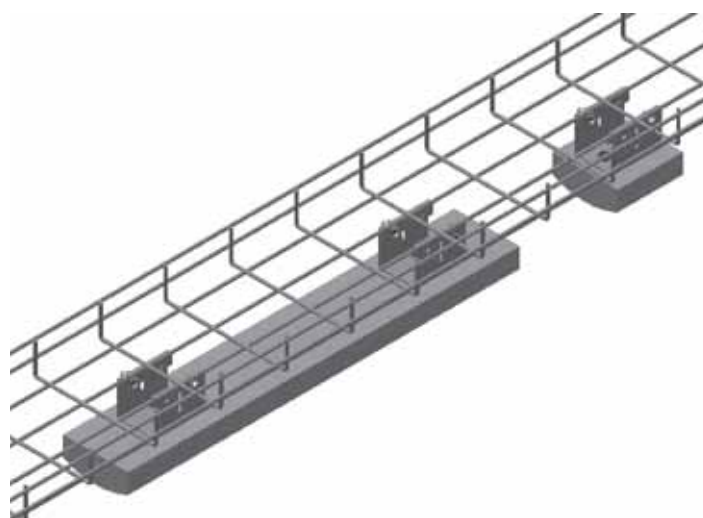
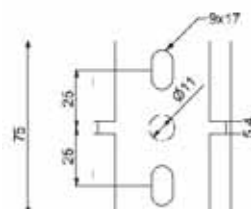
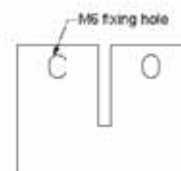
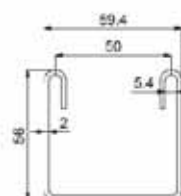


►► **TLS FIXTURE HOLDER** Pre-galvanized (TS 10143)

Description	H (mm)	L (mm)	T (mm)	Weight (kg./tk.)	Order Code
TLS FIXTURE HOLDER	56	75	2,0 mm	0,216	3179616



►► **APPLICATION EXAMPLES**



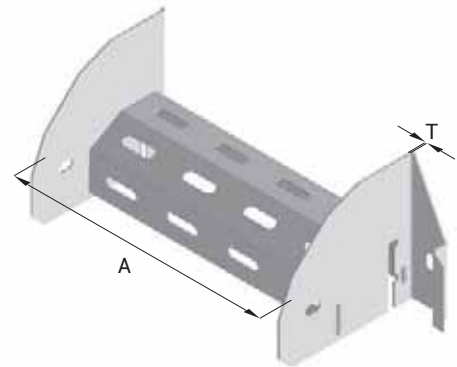
- Please state the order code when ordering.
- Standard Length 3000 mm.

- When special wire thickness are being used please contact our company.
- Material weights may vary by $\pm 10\%$

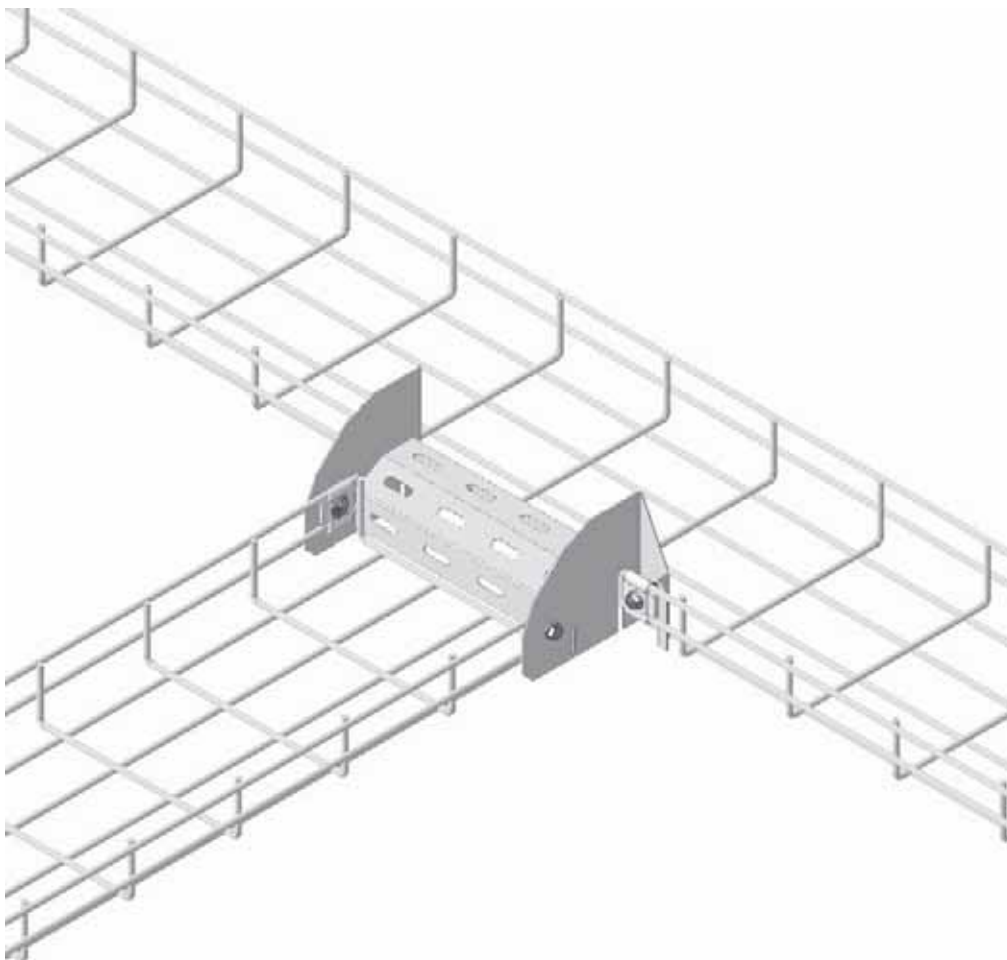


►► **WIRE MESH SIDE DROPOUT MODULE TYPE 1** Pre-galvanized (TS 10143)

Description	A (mm)	T (mm)	Weight (kg./pcs.)	Order Code
H55 TLS Side Dropout Module Type 1 - 050	50	1,2	0,292	3197355
H55 TLS Side Dropout Module Type 1 - 100	100	1,2	0,344	3197356
H55 TLS Side Dropout Module Type 1 - 150	150	1,2	0,397	3197357
H55 TLS Side Dropout Module Type 1 - 200	200	1,2	0,449	3197358
H55 TLS Side Dropout Module Type 1 - 250	250	1,2	0,501	3197359
H55 TLS Side Dropout Module Type 1 - 300	300	1,2	0,554	3197360
H55 TLS Side Dropout Module Type 1 - 400	400	1,2	0,659	3197361
H55 TLS Side Dropout Module Type 1 - 500	500	1,2	0,764	3197362
H55 TLS Side Dropout Module Type 1 - 600	600	1,2	0,868	3197363
H100 TLS Side Dropout Module Type 1 - 100	100	1,2	0,474	3197364
H100 TLS Side Dropout Module Type 1 - 150	150	1,2	0,527	3197365
H100 TLS Side Dropout Module Type 1 - 200	200	1,2	0,579	3197366
H100 TLS Side Dropout Module Type 1 - 250	250	1,2	0,631	3197367
H100 TLS Side Dropout Module Type 1 - 300	300	1,2	0,684	3197368
H100 TLS Side Dropout Module Type 1 - 400	400	1,2	0,789	3197369
H100 TLS Side Dropout Module Type 1 - 500	500	1,2	0,894	3197370
H100 TLS Side Dropout Module Type 1 - 600	600	1,2	0,998	3197371



- Side dropout module type 1 for assembly ;
- 4 Piece Wire Mesh Joint Fitting
- 4 Piece Dished Head Bolt M6x20
- 4 Piece Flanged M6.



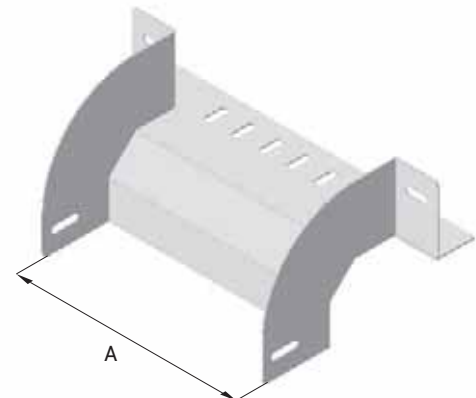
■ Please indicate order code in your orders.
 ■ Standard Length 3000 mm.

■ When special wire thickness are being used please contact our company.
 ■ Material weights may vary by $\pm 10\%$

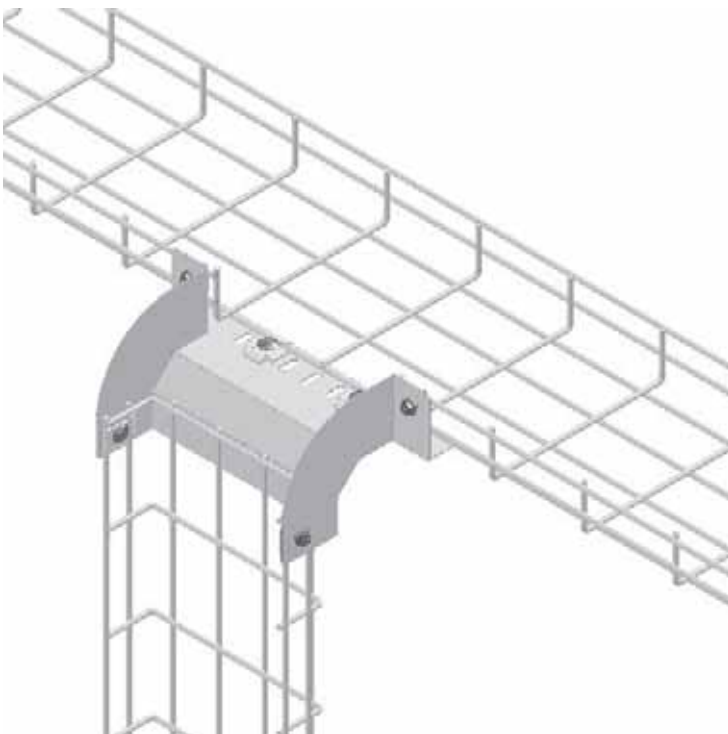


►► **WIRE MESH SIDE DROPOUT MODULE TYPE 2** Pre-galvanized (TS 10143)

Description	A (mm)	T (mm)	Weight (kg./pcs.)	Order Code
H35 TLS Side Dropout Module Type 2 - 050	50	1,2	0,239	3197372
H35 TLS Side Dropout Module Type 2 - 100	100	1,2	0,302	3197373
H35 TLS Side Dropout Module Type 2 - 150	150	1,2	0,365	3197374
H35 TLS Side Dropout Module Type 2 - 200	200	1,2	0,428	3197375
H35 TLS Side Dropout Module Type 2 - 250	250	1,2	0,491	3197376
H35 TLS Side Dropout Module Type 2 - 300	300	1,2	0,554	3197377
H35 TLS Side Dropout Module Type 2 - 400	400	1,2	0,617	3197378
H35 TLS Side Dropout Module Type 2 - 500	500	1,2	0,681	3197379
H35 TLS Side Dropout Module Type 2 - 600	600	1,2	0,744	3197380
H55 TLS Side Dropout Module Type 2 - 050	50	1,2	0,359	3197381
H55 TLS Side Dropout Module Type 2 - 100	100	1,2	0,388	3197382
H55 TLS Side Dropout Module Type 2 - 150	150	1,2	0,451	3197383
H55 TLS Side Dropout Module Type 2 - 200	200	1,2	0,514	3197384
H55 TLS Side Dropout Module Type 2 - 250	250	1,2	0,577	3197385
H55 TLS Side Dropout Module Type 2 - 300	300	1,2	0,640	3197386
H55 TLS Side Dropout Module Type 2 - 400	400	1,2	0,703	3197387
H55 TLS Side Dropout Module Type 2 - 500	500	1,2	0,767	3197388
H55 TLS Side Dropout Module Type 2 - 600	600	1,2	0,830	3197389
H100 TLS Side Dropout Module Type 2 - 100	100	1,2	0,624	3197390
H100 TLS Side Dropout Module Type 2 - 150	150	1,2	0,687	3197391
H100 TLS Side Dropout Module Type 2 - 200	200	1,2	0,750	3197392
H100 TLS Side Dropout Module Type 2 - 250	250	1,2	0,813	3197393
H100 TLS Side Dropout Module Type 2 - 300	300	1,2	0,876	3197394
H100 TLS Side Dropout Module Type 2 - 400	400	1,2	0,939	3197395
H100 TLS Side Dropout Module Type 2 - 500	500	1,2	1,003	3197396
H100 TLS Side Dropout Module Type 2 - 600	600	1,2	1,066	3197397



- TLS Side dropout module type 2 for assembly ;
6 Piece Wire Mesh Joint Fitting
6 Piece Dished Head Bolt M6x20
6 Piece Flanged M6.



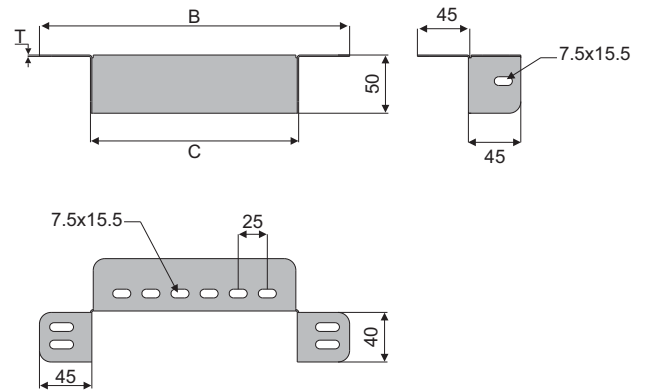
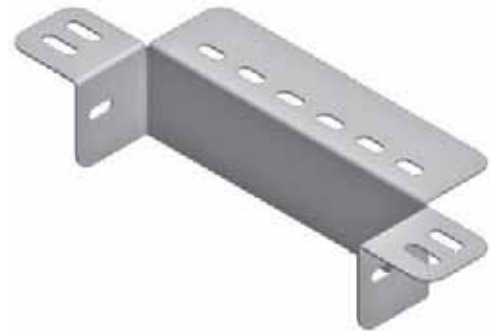
- Please indicate order code in your orders.
- Standard Length 3000 mm.

- When special wire thickness are being used please contact our company.
- Material weights may vary by $\pm 10\%$



►► **WIRE MESH BOTTOM DROPOUT MODULE** Pre-galvanized (TS 10143)

Description	A (mm)	T (mm)	Weight (kg./pcs.)	Order Code
H35 TLS Bottom Dropout - 050	50	1,2	0,057	3197398
H35 TLS Bottom Dropout - 100	100	1,2	0,100	3197399
H35 TLS Bottom Dropout - 150	150	1,2	0,142	3197400
H35 TLS Bottom Dropout - 200	200	1,2	0,184	3197401
H35 TLS Bottom Dropout - 250	250	1,2	0,226	3197402
H35 TLS Bottom Dropout - 300	300	1,2	0,268	3197403
H35 TLS Bottom Dropout - 400	400	1,2	0,352	3197404
H35 TLS Bottom Dropout - 500	500	1,2	0,436	3197405
H35 TLS Bottom Dropout - 600	600	1,2	0,520	3197406
H55 TLS Bottom Dropout - 050	50	1,2	0,089	3197407
H55 TLS Bottom Dropout - 100	100	1,2	0,131	3197408
H55 TLS Bottom Dropout - 150	150	1,2	0,173	3197409
H55 TLS Bottom Dropout - 200	200	1,2	0,215	3197410
H55 TLS Bottom Dropout - 250	250	1,2	0,257	3197411
H55 TLS Bottom Dropout - 300	300	1,2	0,299	3197412
H55 TLS Bottom Dropout - 400	400	1,2	0,384	3197413
H55 TLS Bottom Dropout - 500	500	1,2	0,468	3197414
H55 TLS Bottom Dropout - 600	600	1,2	0,552	3197415
H100 TLS Bottom Dropout - 100	100	1,2	0,202	3197416
H100 TLS Bottom Dropout - 150	150	1,2	0,244	3197417
H100 TLS Bottom Dropout - 200	200	1,2	0,286	3197418
H100 TLS Bottom Dropout - 250	250	1,2	0,328	3197419
H100 TLS Bottom Dropout - 300	300	1,2	0,370	3197420
H100 TLS Bottom Dropout - 400	400	1,2	0,454	3197421
H100 TLS Bottom Dropout - 500	500	1,2	0,538	3197422
H100 TLS Bottom Dropout - 600	600	1,2	0,623	3197423



- TLS Bottom Dropout for assembly ;
6 Piece Wire Mesh Joint Fitting
6 Piece Dished Head Bolt M6x20
6 Piece Flanged M6.



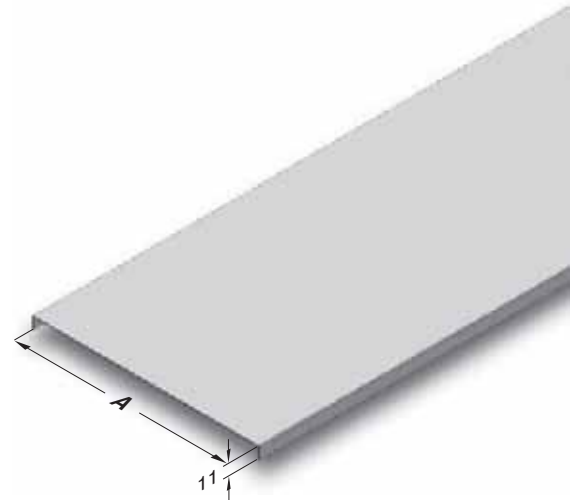
- Please indicate order code in your orders.
- Standard Length 3000 mm.

- When special wire thickness are being used please contact our company.
- Material weights may vary by $\pm 10\%$



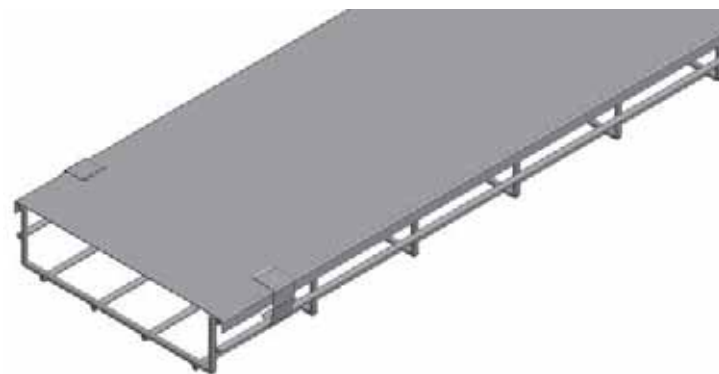
►► **COVER** Pre-galvanized (TS 10143)

Description	A (mm)	T (mm)	Weight (kg./m.)	Order Code
UKK 50	50	0,8	0,448	3008371
UKK 100	100	0,8	0,757	3008370
UKK 150	150	1,0	1,341	3008369
UKK 200	200	1,0	1,735	3008368
UKK 250	250	1,2	2,556	3008367
UKK 300	300	1,2	3,030	3008366
UKK 400	400	1,5	4,970	3008365
UKK 500	500	1,5	6,154	3008364
UKK 600	600	1,5	7,330	3006017



►► **COVER CLAMPS** Pre-galvanized (TS 10143)

Description	T (mm)	Weight (kg./pcs.)	Order Code
H35 TLS COVER CLAMPS	1	0,020	1028449
H55/H100 TLS COVER CLAMPS	1	0,015	1028451



■ Please order TLS cover clamps to use 2 pieces for each 1 meter length.

■ Please indicate order code in your orders.
 ■ Standard Length 3000 mm.

■ When special wire thickness are being used please contact our company.
 ■ Material weights may vary by $\pm 10\%$



►► **WIRE MESH LEVEL ADAPTATION MODULE** Pre-galvanized (TS 10143)

Description	T (mm)	Weight (kg./set.)	Order Code
H55/H100 TLS SDE	2	0,864	3200383

- 1 Piece Level Adaptation Module ;
- 4 Piece SDE Set,
- 8 Piece Wire Mesh Joint Fitting
- 12 Piece Bolts M6x20
- 12 Piece Nuts M6.



DOWNWARD DESCENT EXAMPLE



UPWARD DESCENT EXAMPLE



- Please indicate order code in your orders.
- Standard Length 3000 mm.

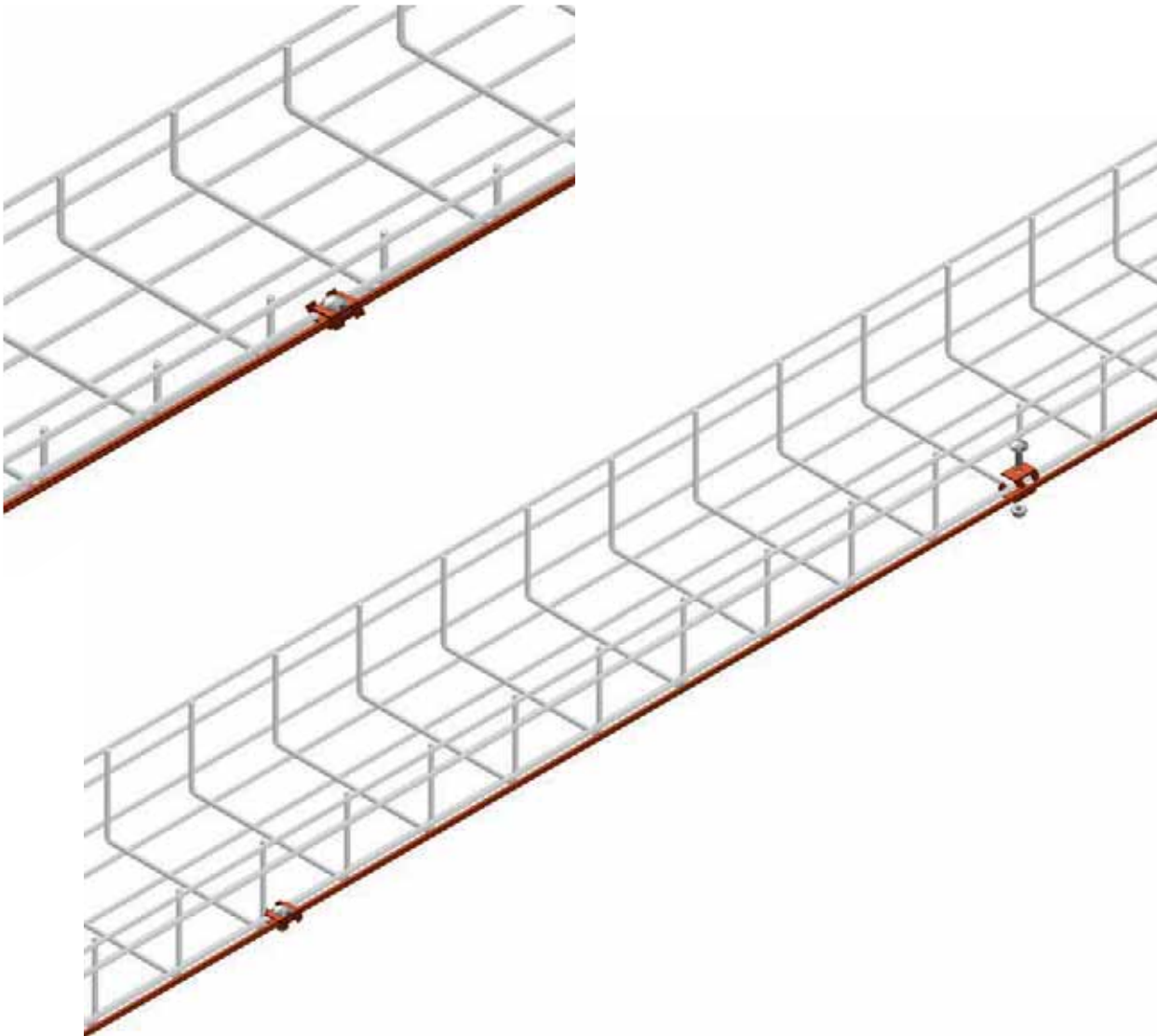
- When special wire thickness are being used please contact our company.
- Material weights may vary by $\pm 10\%$



►► WIRE MESH TABBED EARTHING CONNECTOR

Description	Weight (kg./set.)	Order Code
TLS Tabbed Earthing Connector	0,034	3197424

- 1 Piece Tabbed Earthing Connector for assembly ;
- 2 Piece Tabbed Copper Connector
- 1 Piece Dished Head Bolt M6x20
- 1 Piece Flanged M6.



- Please indicate order code in your orders.
- Standard Length 3000 mm.

- When special wire thickness are being used please contact our company.
- Material weights may vary by $\pm 10\%$



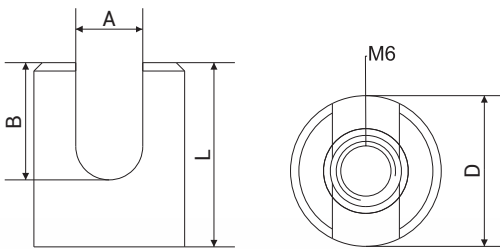
►► **EARTHING COMPONENTS**

Description	mm ²	A (mm)	B (mm)	D (mm)	L (mm)	Order Code
Brass Joint and Earthing Connector 1	10-35	8	14	18	22	1004225
Brass Joint and Earthing Connector 2	35-70	10	17	21	25	1004226

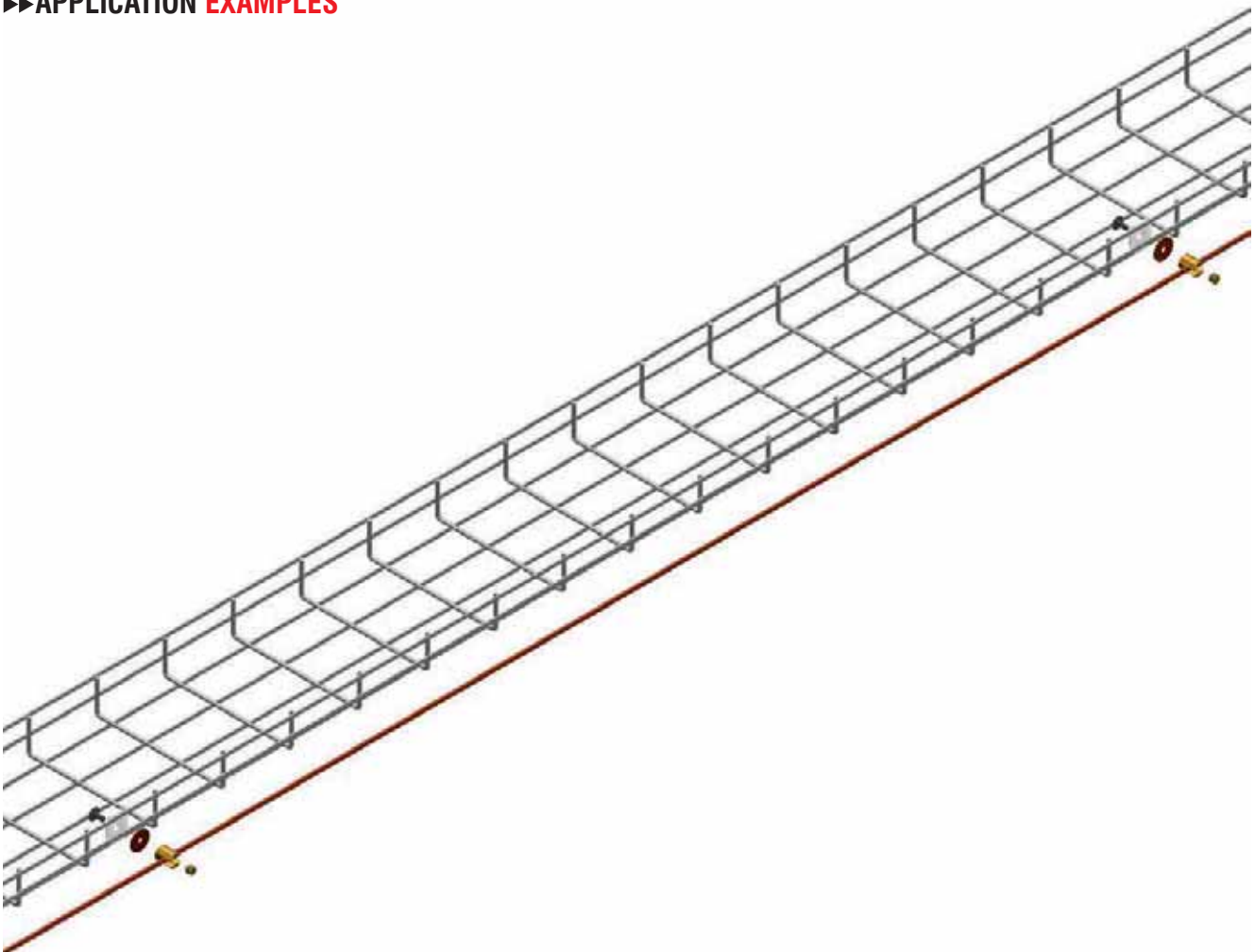
Brass Joint and Earthing Connector (Cylindrical)



- 1 Piece Cylindrical Earthing Connector for assembly ;
- 1 Piece Dished Head Bolt M6x12
- 1 Piece Wire Mesh Joint Fitting
- 1 Piece Grounding Washer
- 1 Piece Earthing Connector (Cylindrical)
- 1 Piece Brass Nut.



►► **APPLICATION EXAMPLES**



- Please indicate order code in your orders.
- Standard Length 3000 mm.

- When special wire thickness are being used please contact our company.
- Material weights may vary by ± 10%



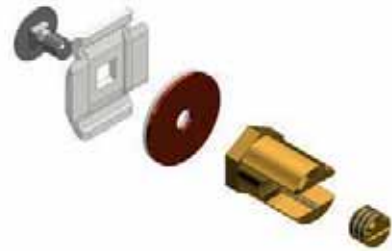
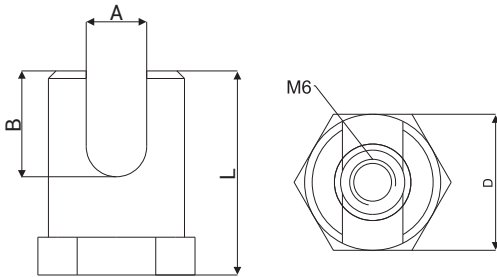
►► EARTHING COMPONENTS

Description	mm ²	A (mm)	B (mm)	D (mm)	L (mm)	Order Code
Brass Joint and Earthing Connector 5	10-35	8	14	18	22	1004229
Brass Joint and Earthing Connector 5	35-70	10	17	21	25	1004230

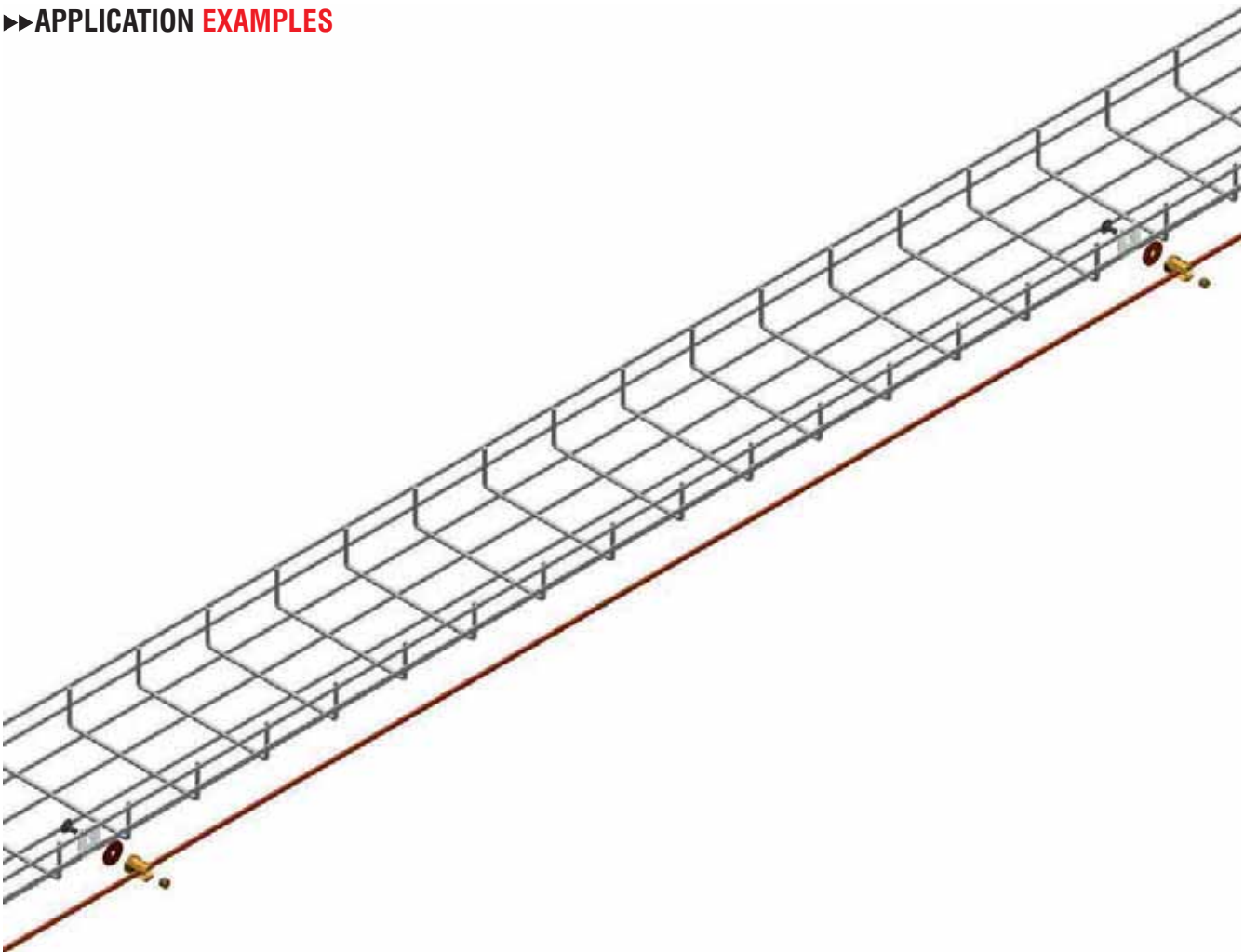
Brass Joint and Earthing Connector (Hexagonal)



- 1 Piece Hexagonal Earthing Connector for assembly ;
- 1 Piece Dished Head Bolt M6x12
- 1 Piece Wire Mesh Joint Fitting
- 1 Piece Grounding Washer
- 1 Piece Brass Joint and Earthing Connector(Hexagonal)
- 1 Piece Brass Nut.



►► APPLICATION EXAMPLES



- Please indicate order code in your orders.
- Standard Length 3000 mm.

- When special wire thickness are being used please contact our company.
- Material weights may vary by ± 10%

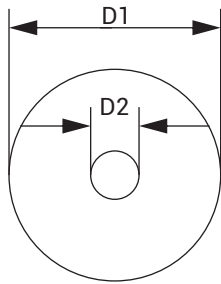


►► **GROUNDING WASHER**

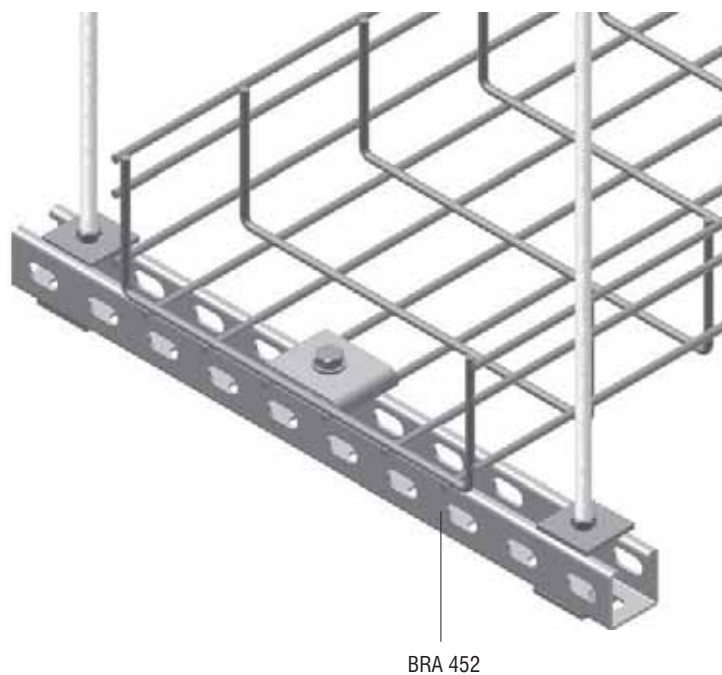
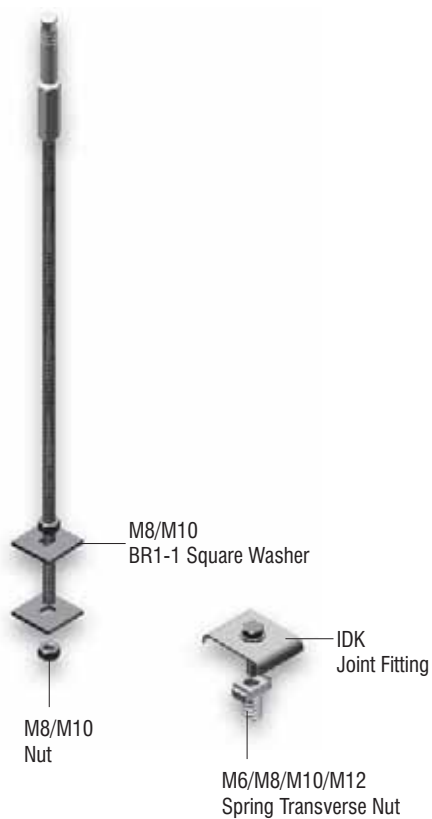
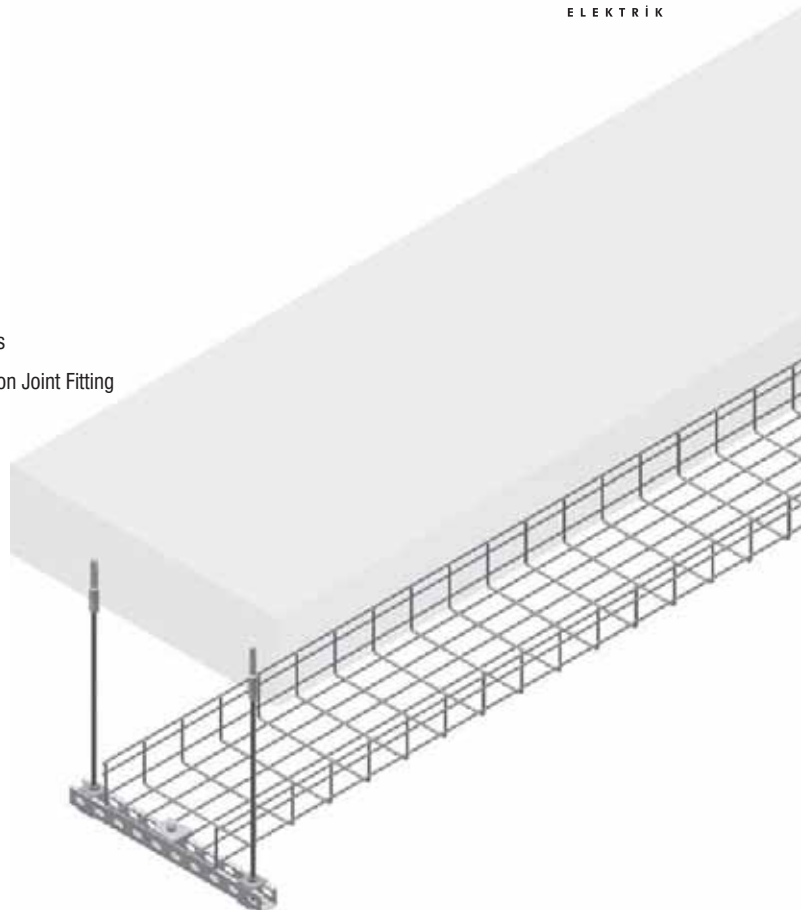
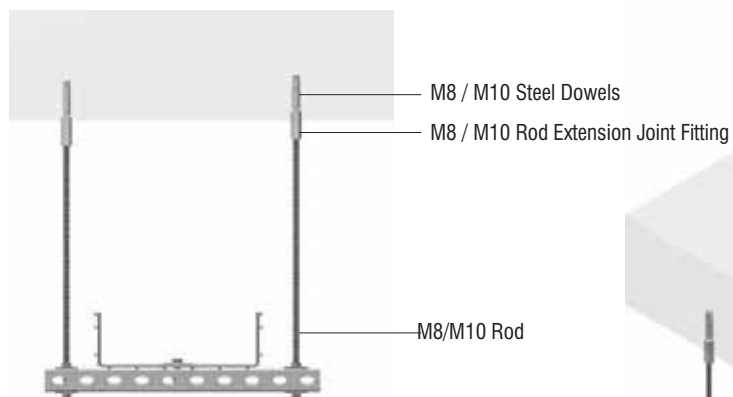
Description	D1 (mm)	D2 (mm)	Order Code
Grounding Washer 70-150 mm ²	28	6,4	1015433
Grounding Washer 150-185 mm ²	31	6,4	1015434



- "Copper and brass should be used in case of contact between materials and galvanized surfaces."
"Tin-coated faces of bimetal materials should be in contact with galvanized surfaces.
Wrong connection will cause galvanic corrosion."



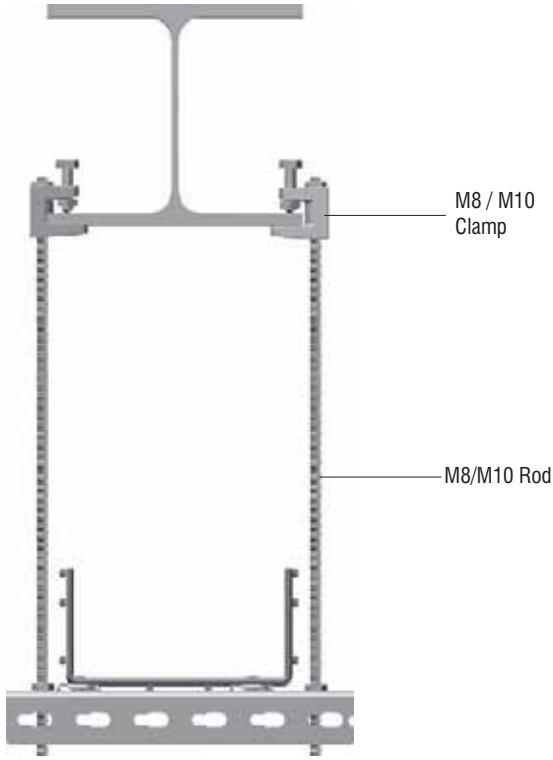
►► APPLICATION EXAMPLES



■ Please state the order code when ordering.
■ Standard Length 3000 mm.

■ When special wire thickness are being used please contact our company.
■ Material weights may vary by $\pm 10\%$

▶▶ APPLICATION EXAMPLES



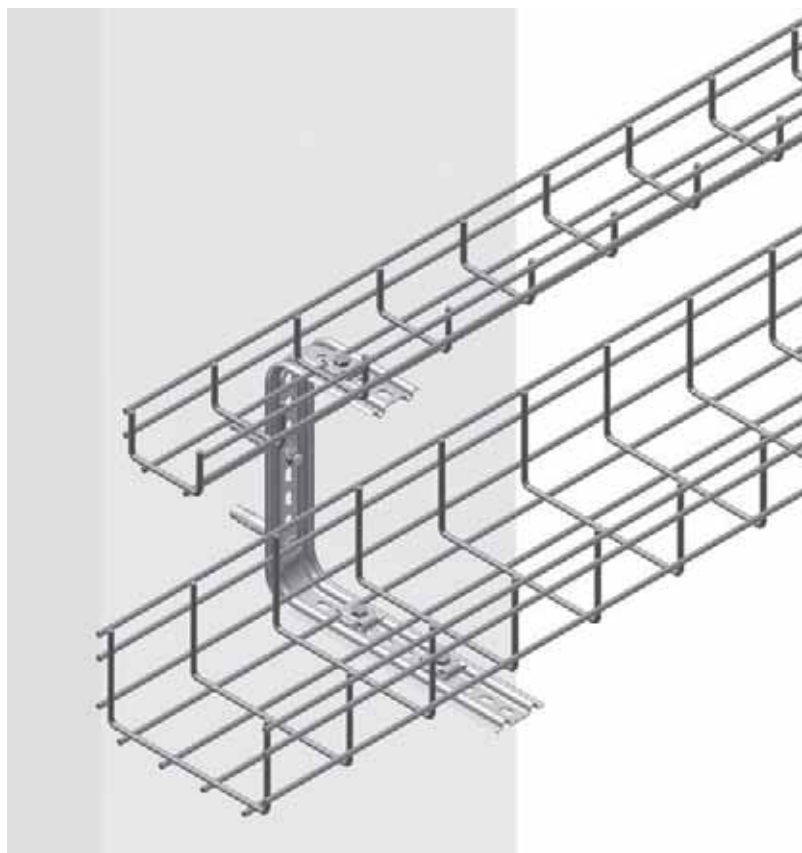
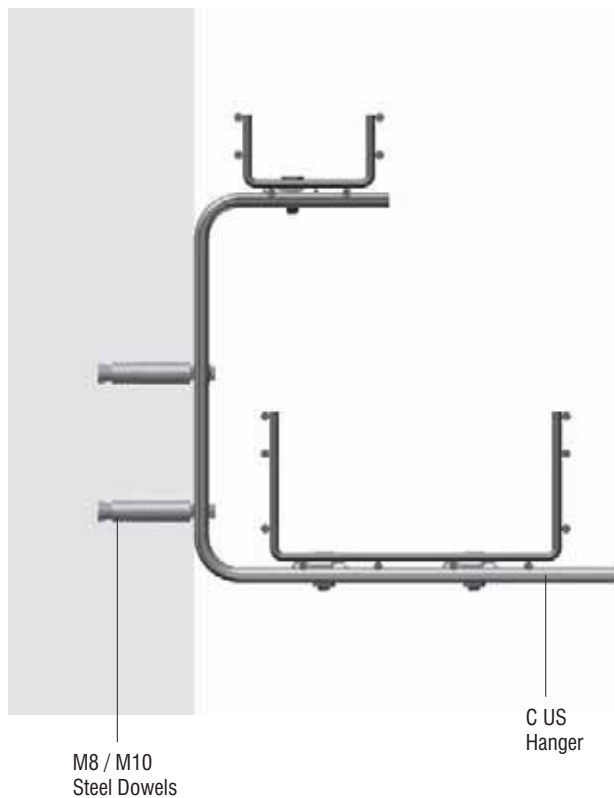
Cable Basket Joint Fitting



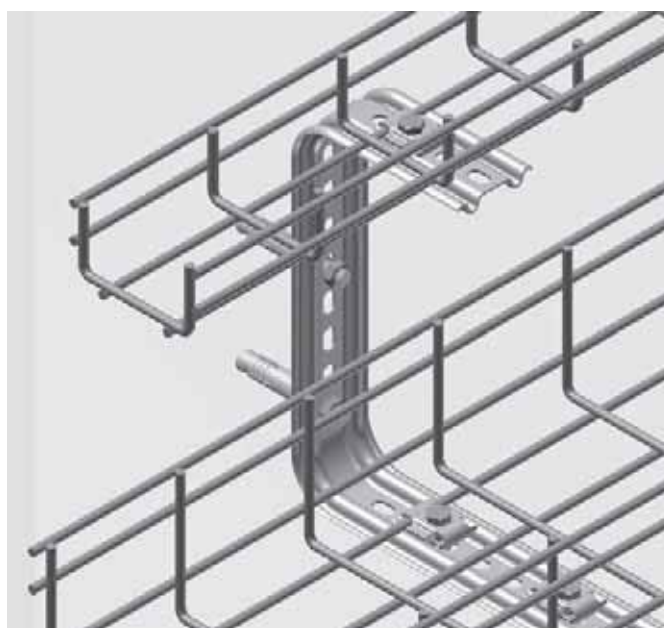
- Please state the order code when ordering.
- Standard Length 3000 mm.

- When special wire thickness are being used please contact our company.
- Material weights may vary by $\pm 10\%$

►► APPLICATION EXAMPLES



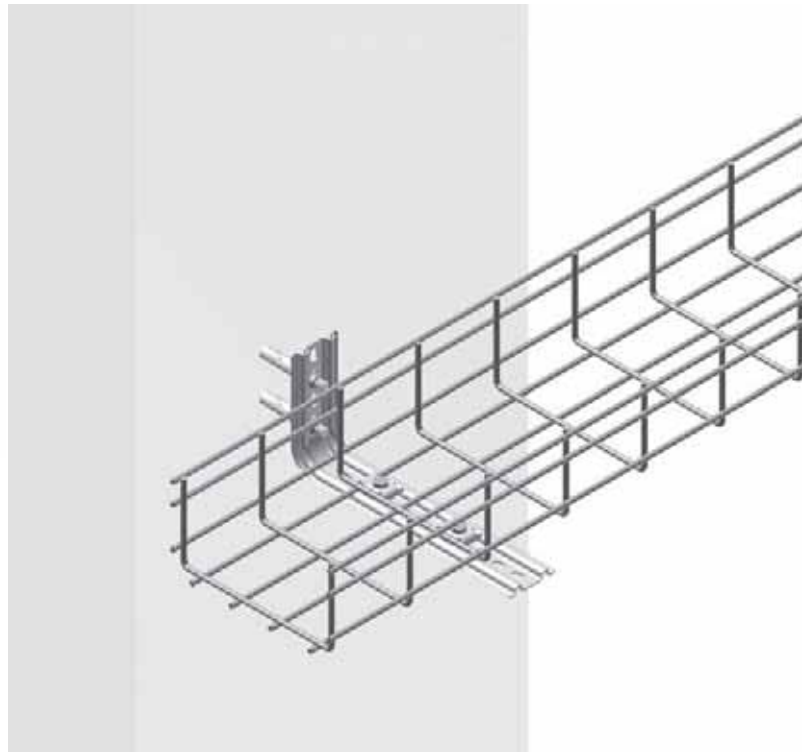
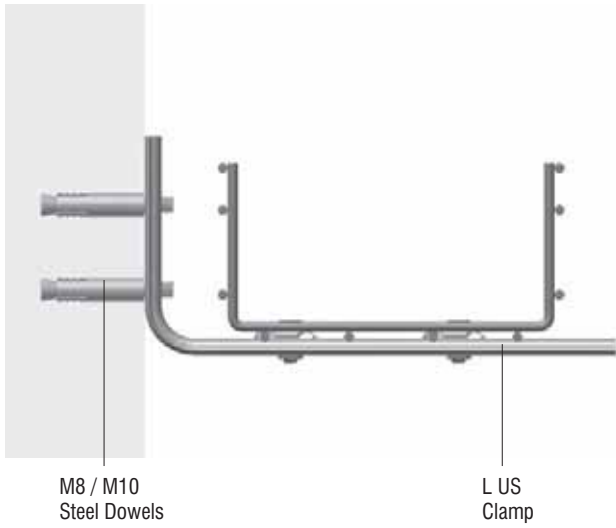
Cable Basket Joint Fitting



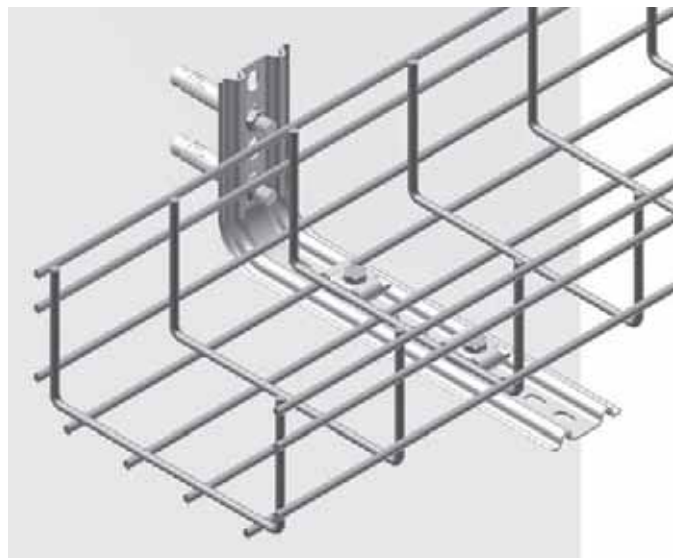
- Please state the order code when ordering.
- Standard Length 3000 mm.

- When special wire thickness are being used please contact our company.
- Material weights may vary by $\pm 10\%$

►► APPLICATION EXAMPLES



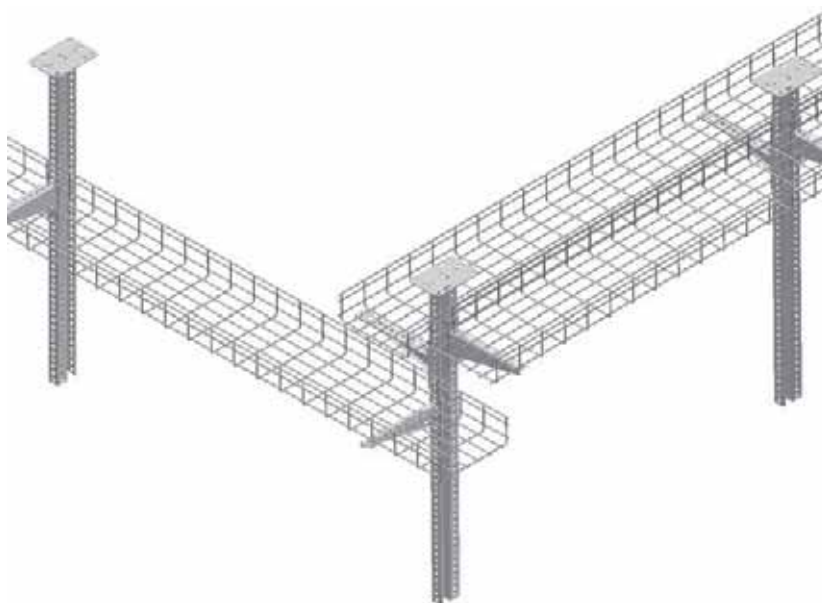
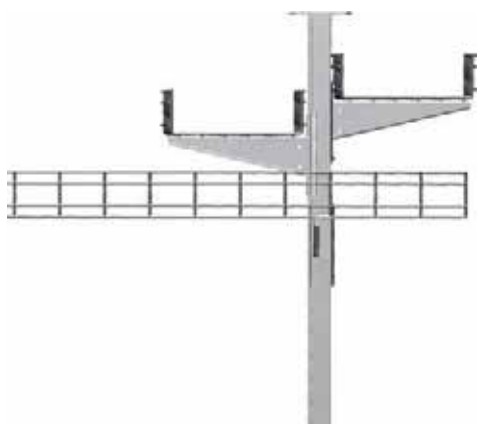
Cable Basket Joint Fitting



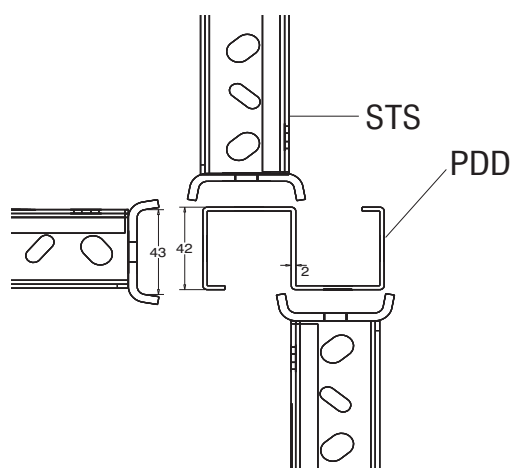
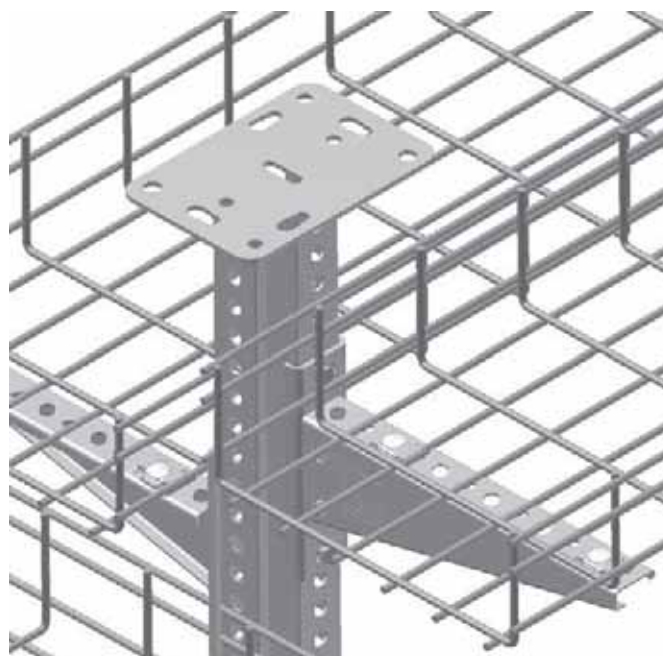
- Please state the order code when ordering.
- Standard Length 3000 mm.

- When special wire thickness are being used please contact our company.
- Material weights may vary by $\pm 10\%$

▶▶ APPLICATION EXAMPLES



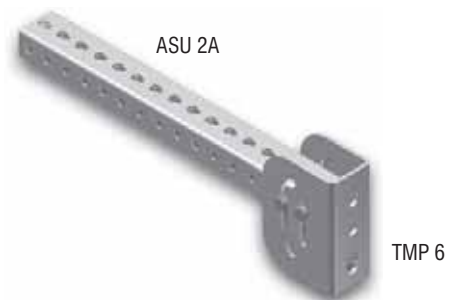
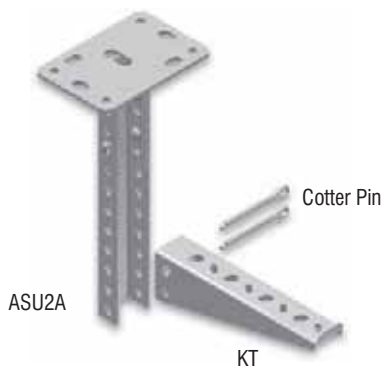
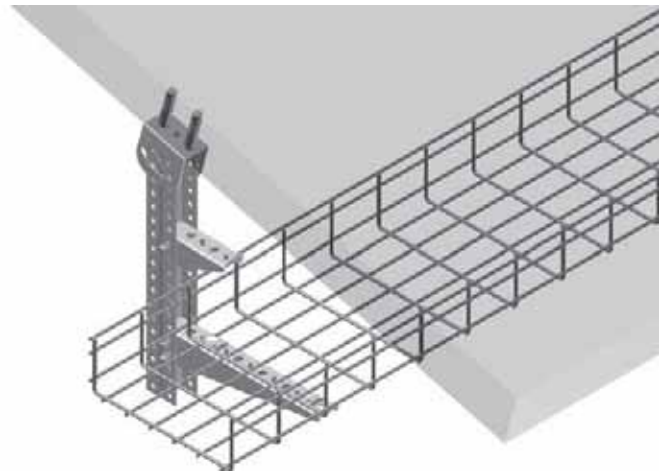
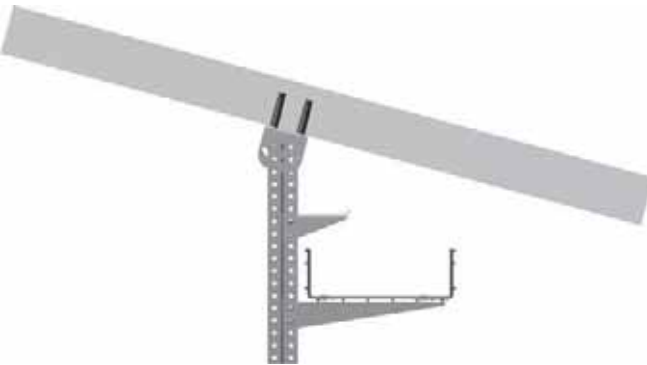
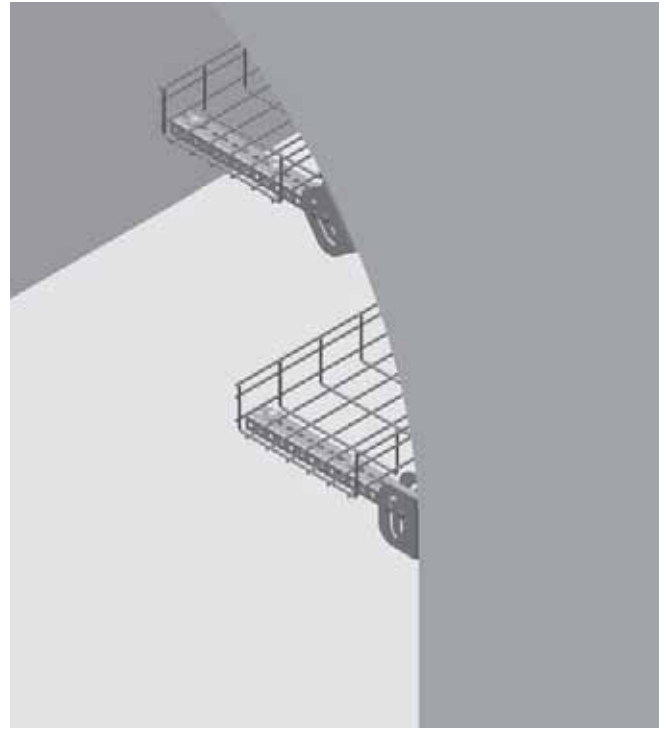
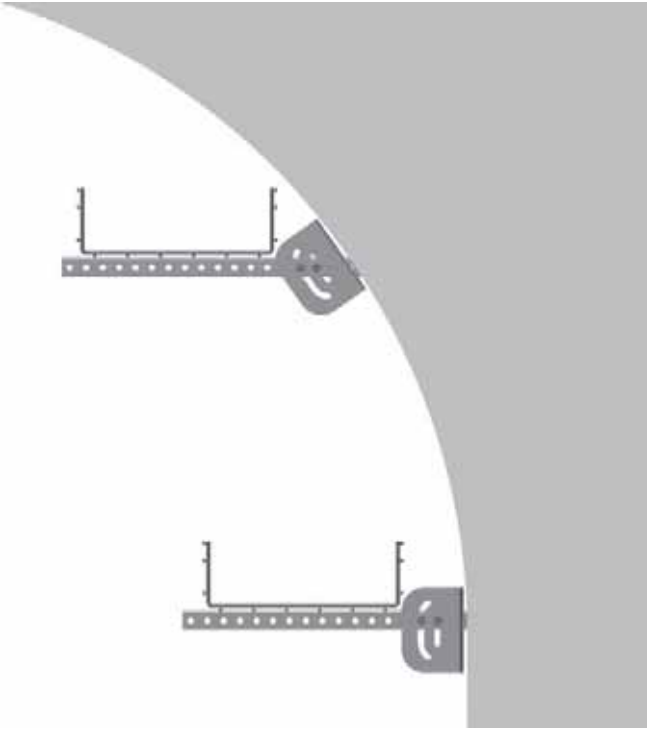
Cable Basket Joint Fitting



- Please state the order code when ordering.
- Standard Length 3000 mm.

- When special wire thickness are being used please contact our company.
- Material weights may vary by $\pm 10\%$

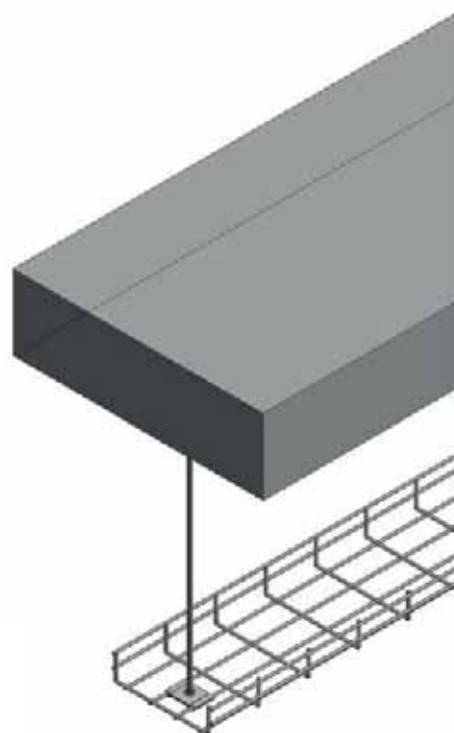
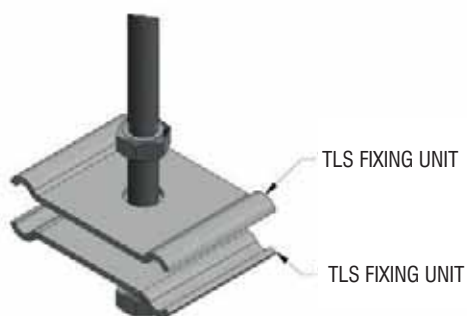
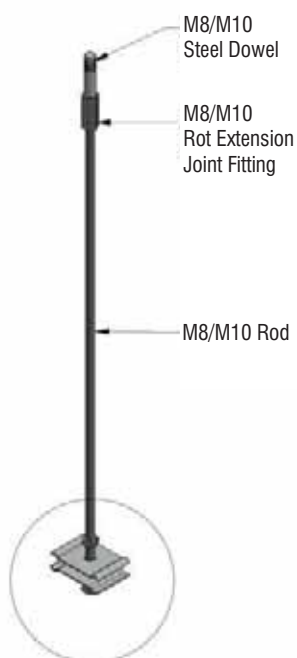
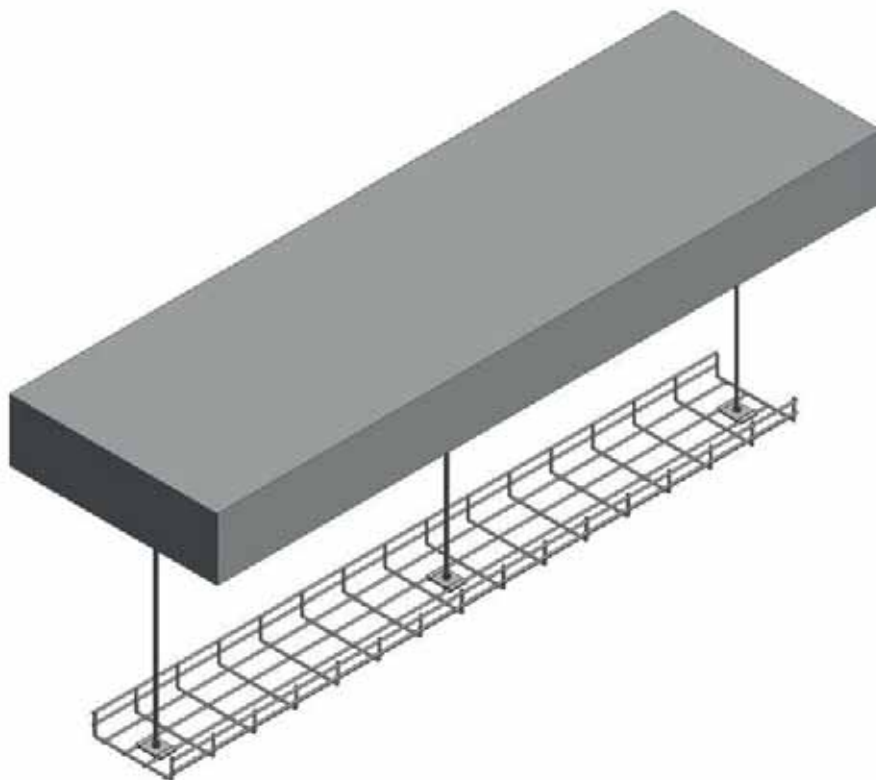
▶▶ APPLICATION EXAMPLES



■ Please state the order code when ordering.
■ Standard Length 3000 mm.

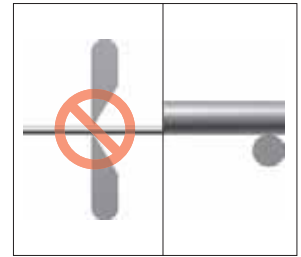
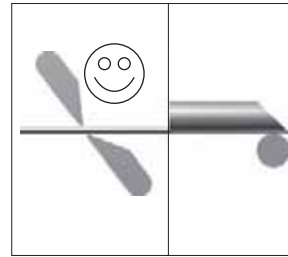
■ When special wire thickness are being used please contact our company.
■ Material weights may vary by $\pm 10\%$

▶▶ APPLICATION EXAMPLES



■ Please state the order code when ordering.
 ■ Standard Length 3000 mm.

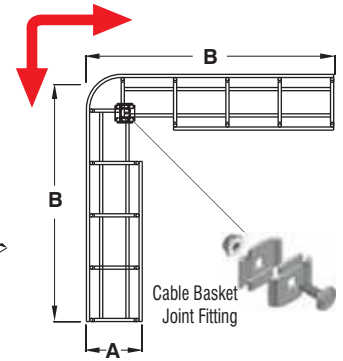
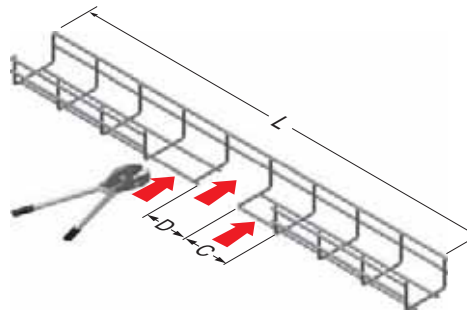
■ When special wire thickness are being used please contact our company.
 ■ Material weights may vary by $\pm 10\%$



►► YD ELBOW APPLICATION EXAMPLES

A (mm)	B (mm)	C (mm)	L (mm)	Cable Tray Joint Fitting
100	300	100	900	1
150	400	200	900	1

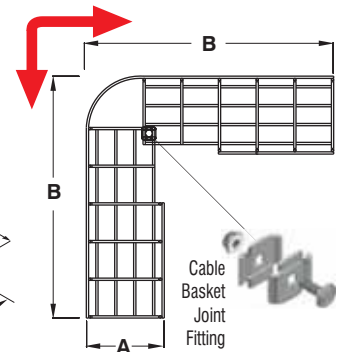
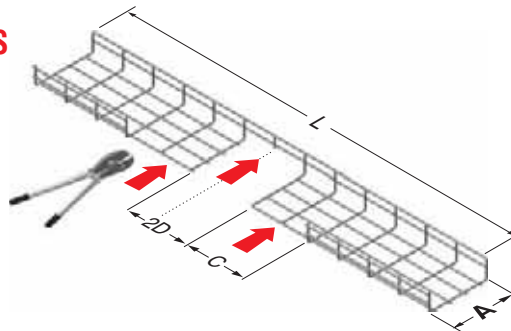
■ For 100-150 baskets, the middle section should be cut as one (D) piece.



►► YD ELBOW APPLICATION EXAMPLES

A (mm)	B (mm)	C (mm)	L (mm)	Cable Tray Joint Fitting
200	500	200	1000	2
250	500	200	1000	2
300	600	300	1200	2
400	700	400	1400	4
500	800	500	1600	4
600	900	600	1800	6

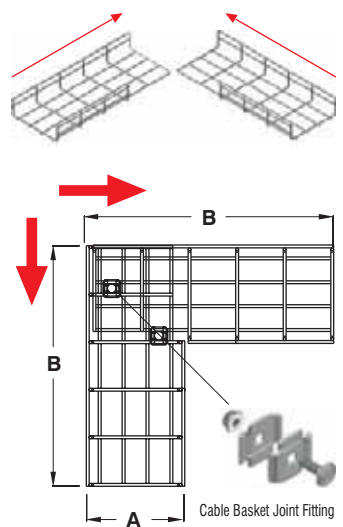
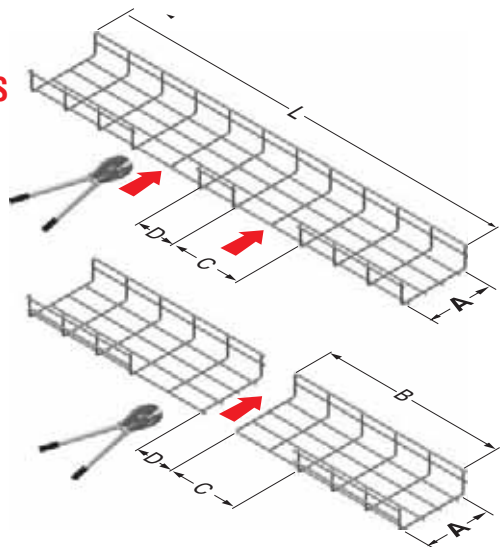
■ For 200-600 baskets, the middle section should be cut into 2(2D) pieces.



►► YD ELBOW APPLICATION EXAMPLES

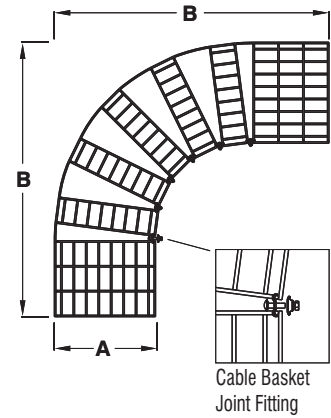
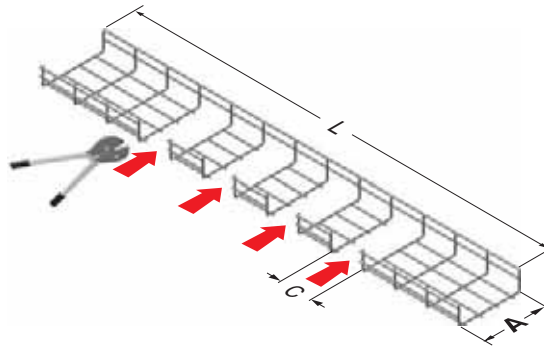
A (mm)	B (mm)	C (mm)	L (mm)	Cable Tray Joint Fitting
100	300	100	700	1
150	400	200	900	1
200	500	200	1100	2
250	500	200	1100	2
300	600	300	1300	2
400	700	400	1500	4
500	800	500	1700	4
600	900	600	1900	6

■ For 100-600 baskets, the middle section should be cut as one (D) piece.



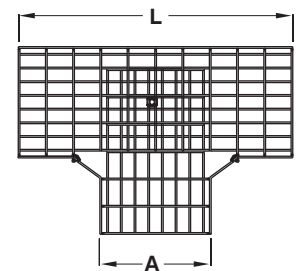
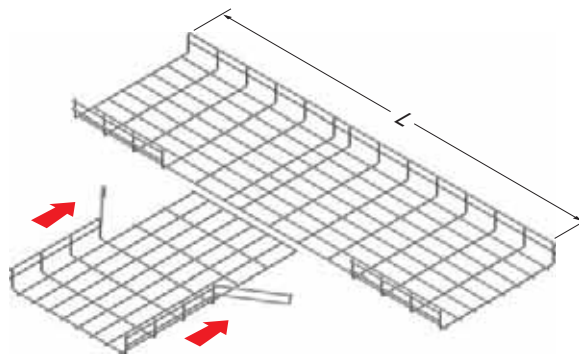
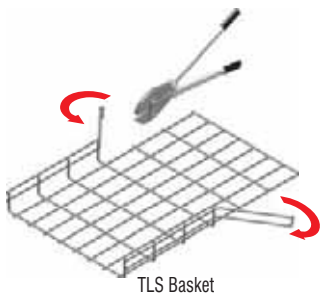
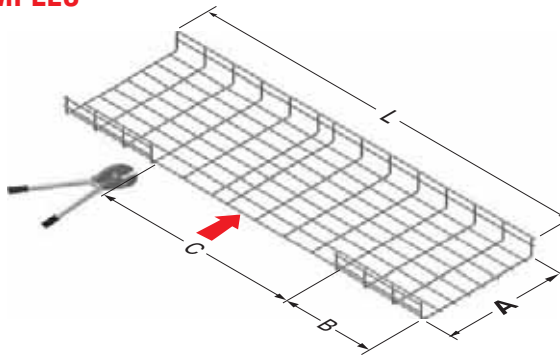
►► YD ELBOW APPLICATION EXAMPLES

A (mm)	B (mm)	C (mm)	L (mm)	Cable Tray Joint Fitting
100	520	3	900	1
150	620	4	1100	1
200	660	4	1100	2
250	910	6	1520	2
300	910	6	1520	4
400	1140	8	1900	6
500	1400	9	2100	9
600	1520	11	2500	9

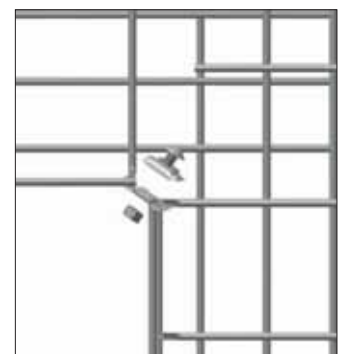


►► "T" ELBOW APPLICATION EXAMPLES

A (mm)	B (mm)	C (mm)	L (mm)	Cable Tray Joint Fitting
100	300	300	800	3
150	300	350	900	3
200	300	400	1000	3
250	300	400	1000	3
300	300	500	1100	4
400	300	600	1200	4
500	300	700	1300	6
600	300	800	1400	6



Cable Basket Joint Fitting





ELEKTRİK

▶▶ PROJECT DESIGN FORM

Component List	Item	Component	Quantity
Company : Project : Project No :			
Prepared by Name : Date : Signature:			



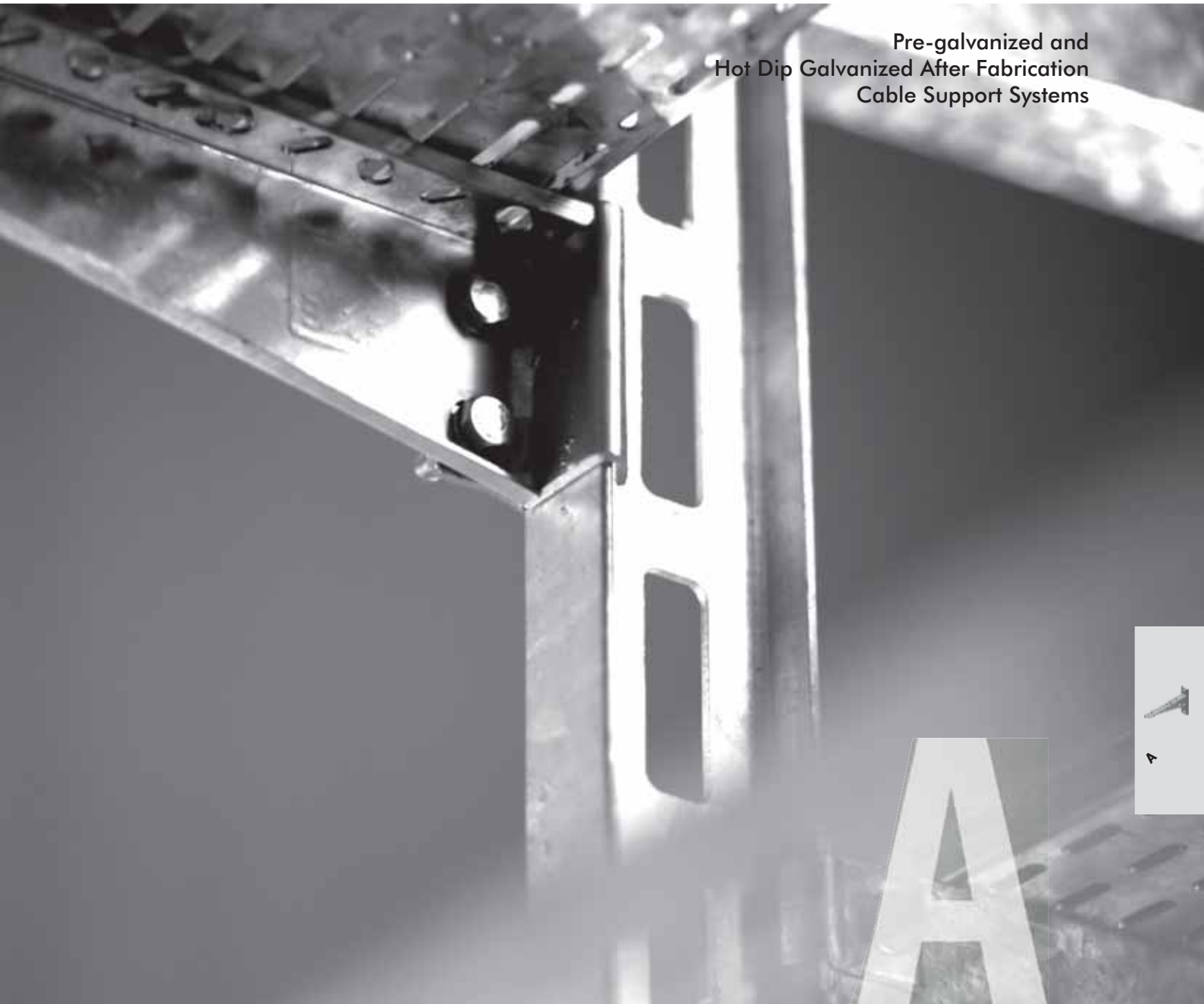
Please duplicate this page for your own use.

E-LINE A

SUPPORT SYSTEMS



Pre-galvanized and
Hot Dip Galvanized After Fabrication
Cable Support Systems





CONTENTS

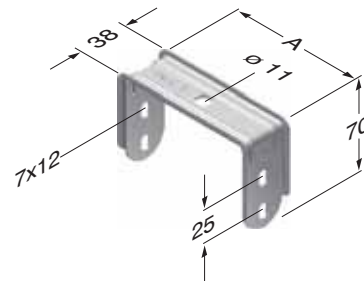
2-5	Rod Type Cable Tray
6	Heavy Duty Type Cable Trays
7	Tray Supports For Threaded Rods
8	Binrak Channel and Assembly Modules
9	Heavy Duty Type Cable Trays
10-11	Universal Hanger Modules
12	Heavy Duty Type Cable Trays
13	Ceiling Fixing Modules
14-16	Heavy Duty Type Cable Trays
17	Ceiling Fixing Modules
18-19	Light Weight Type Cable Trays
20	Installation and Connection Modules
21-22	Ceiling Fixing Modules
23-28	Light Weight Type Cable Trays
30	Installation and Connection Modules
31	Heavy Duty Type Cable Trays
32	Hanger Modules
33-39	KTK Omega Bracket, Omega Wall Bracket, Binrak Channel
40-45	IDD Hander Carriage Values, Heavy Duty Supports
46	Support Fittings
47-48	Ceiling Mounting Fittings
49-50	Support Fittings
51-59	Heavy Duty Supports (u)
60-72	Tray Supports

▶▶ TRAY SUPPORTS FOR THREADED RODS

Pre-galvanized (TS EN 10346 - TS EN 10143)

Description	A (mm)	T (mm)	Weight (kg./pc.)	Order Code	Pack (pc.)
AT3 050	50	1,5	0,091	3008276	20
AT3 100	100	1,5	0,100	3008274	10
AT3 150	150	1,5	0,130	3008272	10
AT3 200	200	1,5	0,155	3008270	10
AT3 250	250	1,5	0,179	3008268	10
AT3 300	300	1,5	0,203	3008266	10

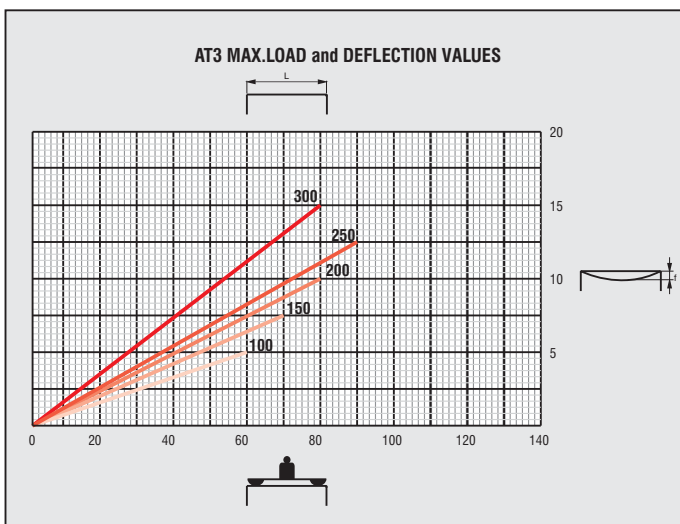
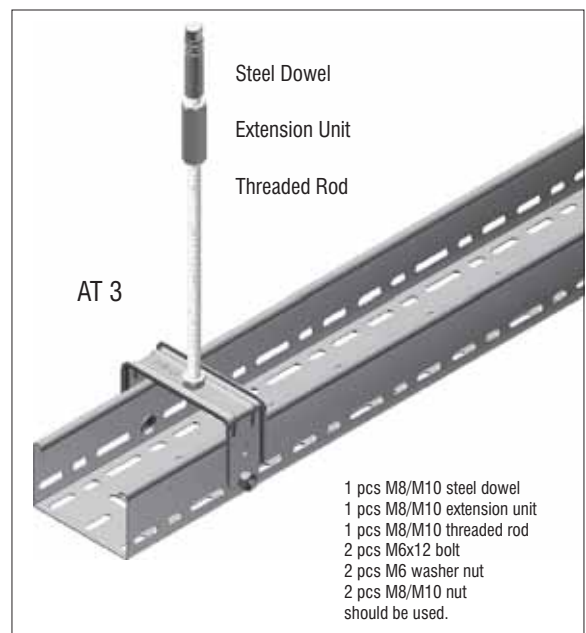
AT 3



▶▶ TRAY SUPPORTS FOR THREADED RODS

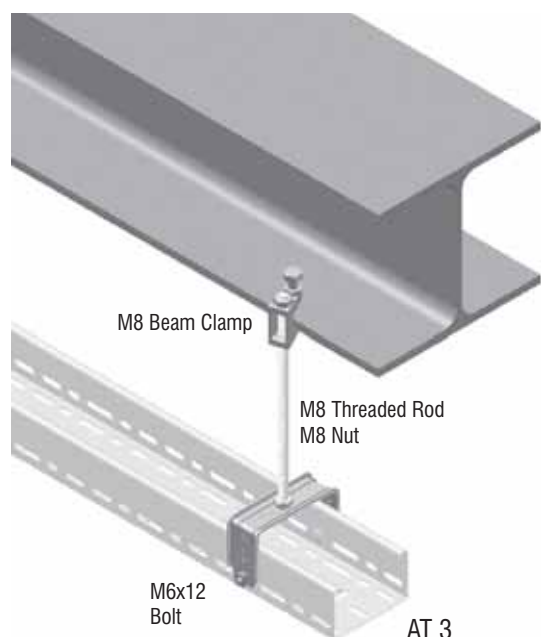
Hot Dip Galvanized After Fabrication (TS EN ISO 1461)

Description	A (mm)	T (mm)	Weight (kg./pc.)	Order Code	Pack (pc.)
AT3 050	50	1,5	0,100	3008277	20
AT3 100	100	1,5	0,110	3008275	10
AT3 150	150	1,5	0,143	3008273	10
AT3 200	200	1,5	0,171	3008271	10
AT3 250	250	1,5	0,197	3008269	10
AT3 300	300	1,5	0,223	3008267	10



	Max. load value allowed in kg
	Console length (mm)
	Under the console load allowed, the bending (mm) at the end of the hanger support

Load values in tables have been defined on the basis of the TS EN 61537 standard.



■ Please indicate order code in your orders.

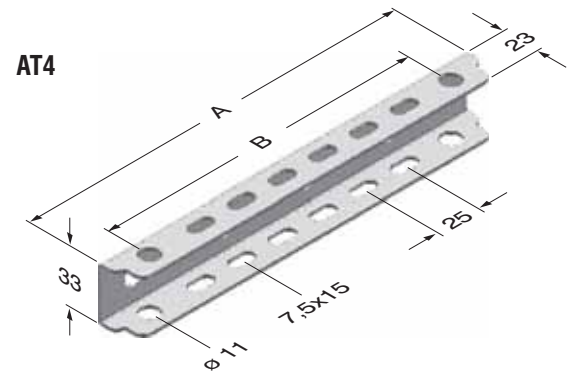
■ Please contact us for special size.

■ Material weights may vary by $\pm 10\%$

▶▶ TRAY SUPPORTS FOR THREADED RODS

Pre-galvanized (TS EN 10346 - TS EN 10143)

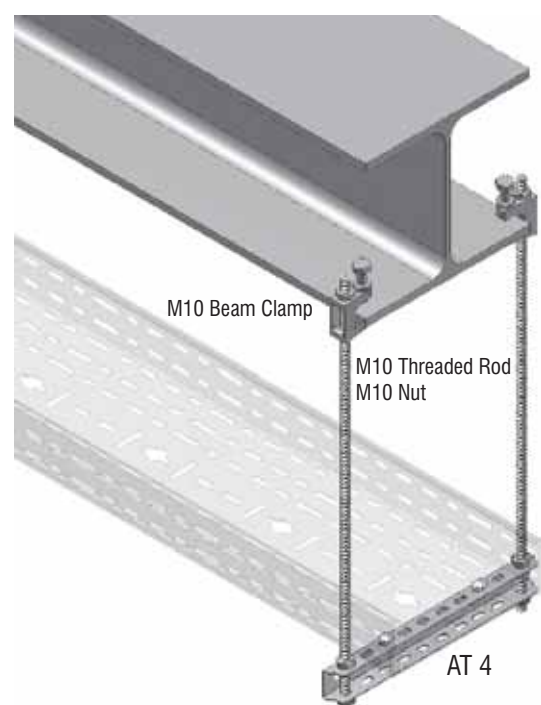
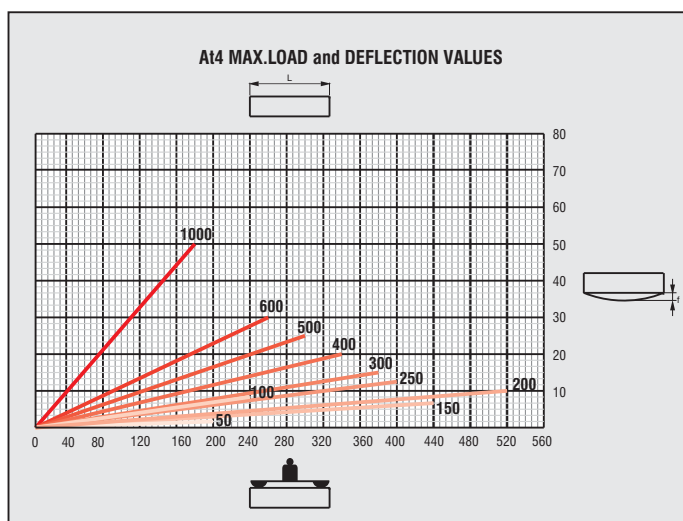
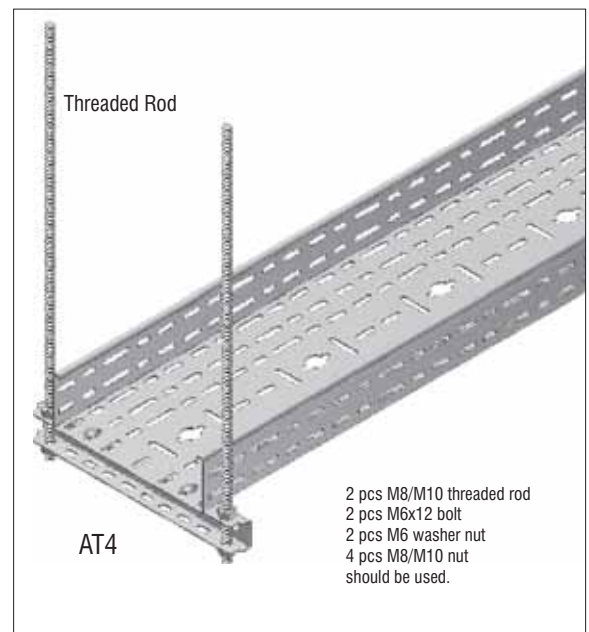
Description	A (mm)	B (mm)	T (mm)	Weight (kg./pc)	Order Code	Pack (pc.)
AT4 050	125	85	2	0,120	3007950	20
AT4 100	175	135	2	0,168	3007948	20
AT4 150	225	185	2	0,215	3007946	20
AT4 200	275	235	2	0,262	3007944	20
AT4 250	325	285	2	0,310	3007942	20
AT4 300	375	335	2	0,357	3007940	20
AT4 400	475	435	2	0,457	3007938	20
AT4 500	575	535	2	0,557	3007936	20
AT4 600	675	635	2	0,642	3005829	20
AT4 1000	1075	1035	2	1,021	3007934	20



▶▶ TRAY SUPPORTS FOR THREADED RODS

Hot Dip Galvanized After Fabrication (TS EN ISO 1461)

Description	A (mm)	B (mm)	T (mm)	Weight (kg./pc)	Order Code	Pack (pc.)
AT4 050	125	85	2	0,132	3007951	20
AT4 100	175	135	2	0,184	3007949	20
AT4 150	225	185	2	0,236	3007947	20
AT4 200	275	235	2	0,288	3007945	20
AT4 250	325	285	2	0,341	3007943	20
AT4 300	375	335	2	0,392	3007941	20
AT4 400	475	435	2	0,502	3007939	20
AT4 500	575	535	2	0,601	3007937	20
AT4 600	675	635	2	0,706	3005830	20
AT4 1000	1075	1035	2	1,123	3007935	20



■ Please indicate order code in your orders.

■ Please contact us for special size.

■ Material weights may vary by $\pm 10\%$

▶▶ TRAY SUPPORTS FOR THREADED RODS

Pre-galvanized (TS EN 10346 - TS EN 10143)

Description	L (mm)	T (mm)	Weight (kg./pc.)	Order Code
MKT 1000	1000	2	1,006	3110199
MKT 2000	2000	2	2,012	3110200
MKT 3000	3000	2	3,018	3110201

MKT

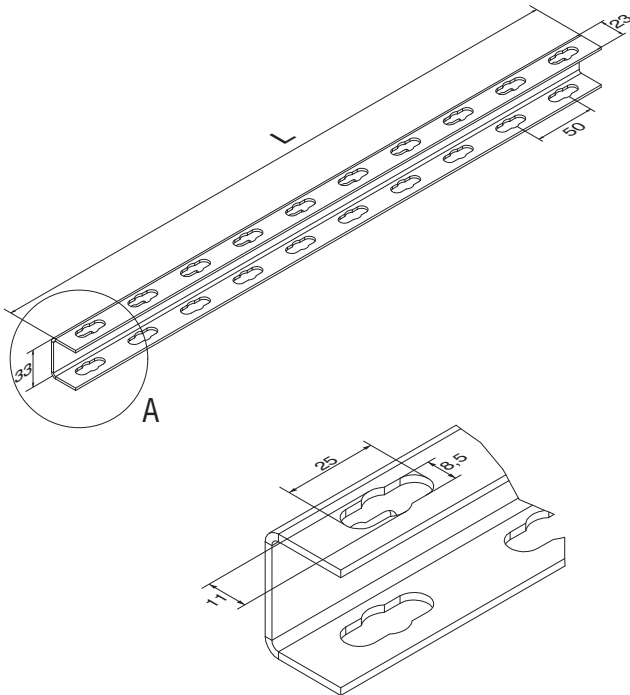
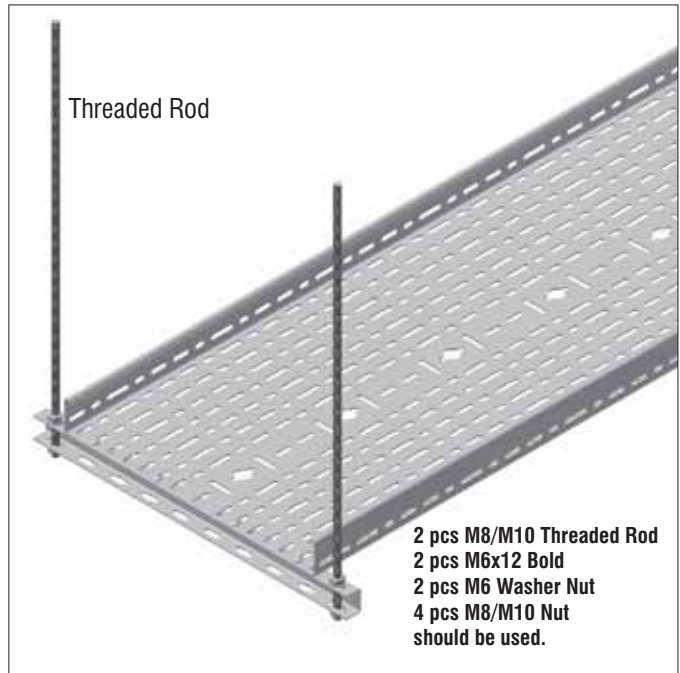


▶▶ TRAY SUPPORTS FOR THREADED RODS

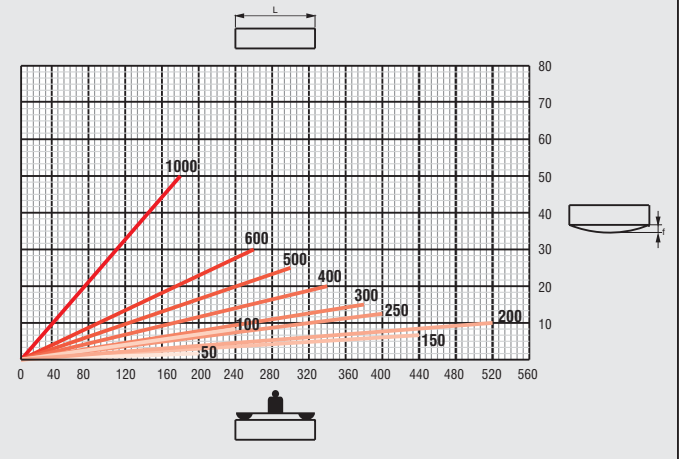
Hot Dip Galvanized After Fabrication (TS EN ISO 1461)

Description	L (mm)	T (mm)	Weight (kg./pc.)	Order Code
MKT 1000	1000	2	1,106	3004545
MKT 2000	2000	2	2,213	3004546
MKT 3000	3000	2	3,320	3108824

Threaded Rod



MKT MAX.LOAD and DEFLECTION VALUES



■ After the area is cut at required measures, the cut area should be painted in line with the coating procedure. (See. Binrak Page 33)

■ Please indicate order code in your orders.

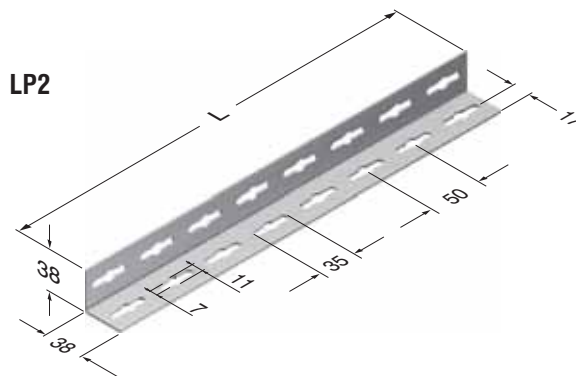
■ Please contact us for special size.

■ Material weights may vary by $\pm 10\%$

▶▶ TRAY SUPPORTS FOR THREADED RODS

Pre-galvanized (TS EN 10346 - TS EN 10143)

Description	T (mm)	L (mm)	Weight (kg./pc.)	Order Code
LP2 1000	2	1000	0,980	3001959
LP2 2000	2	2000	1,959	3001961
LP2 3000	2	3000	2,939	3001963

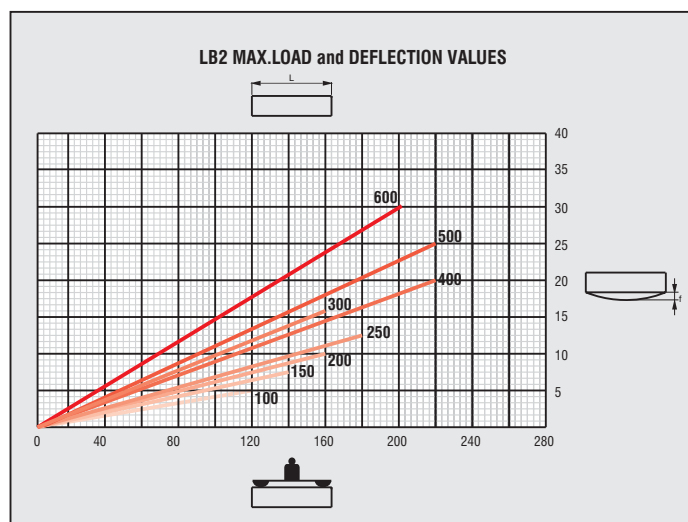




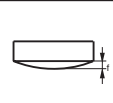
▶▶ TRAY SUPPORTS FOR THREADED RODS

Hot Dip Galvanized After Fabrication (TS EN ISO 1461)

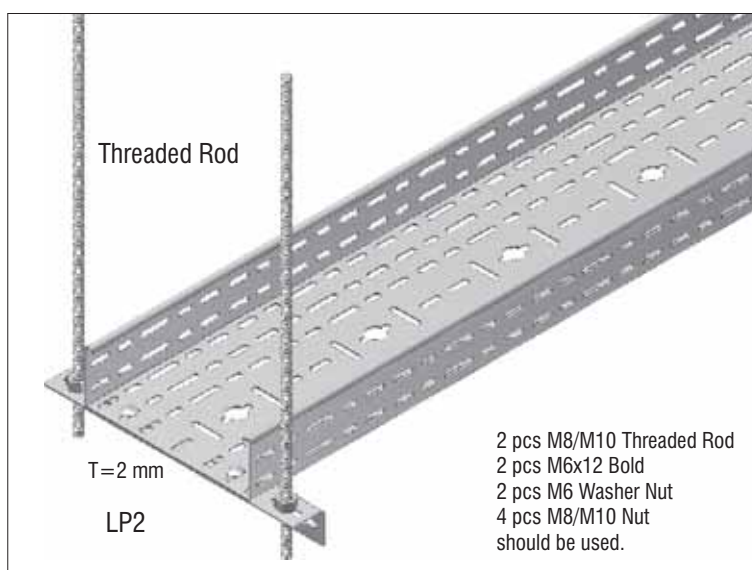
Description	T (mm)	L (mm)	Weight (kg./pc.)	Order Code
LP2 1000	2	1000	1,078	3001960
LP2 2000	2	2000	2,155	3001962
LP2 3000	2	3000	3,233	3001964

- After the area is cut at required measures, the cut area should be painted in line with the coating procedure. (See. Binrak Page 33)



	Max. load value allowed in kg
	Console length (mm)
	Under the console load allowed, the bending (mm) at the end of the hanger support

Load values in tables have been defined on the basis of the TS EN 61537 standard.



■ Please indicate order code in your orders.

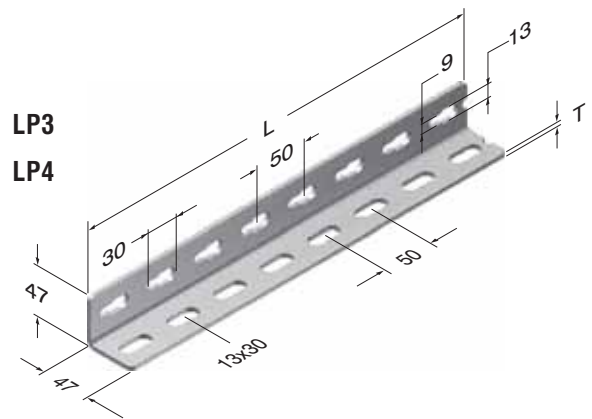
■ Please contact us for special size.

■ Material weights may vary by $\pm 10\%$

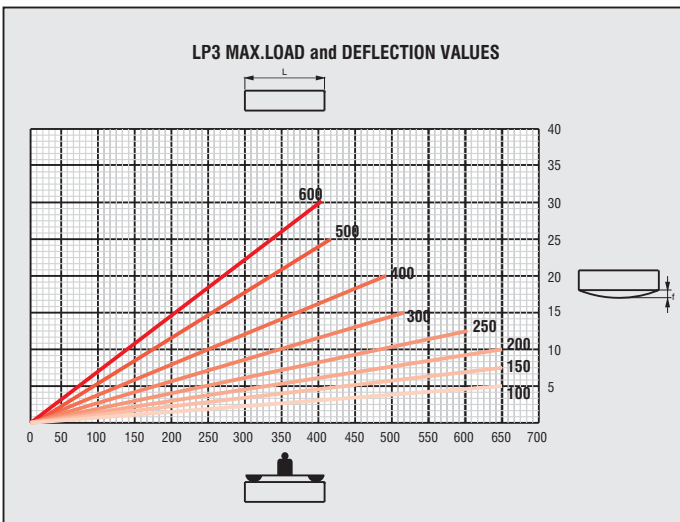
▶▶ HEAVY DUTY SUPPORTS (L)

Hot Dip Galvanized After Fabrication (TS EN ISO 1461)

Description	T (mm)	L (mm)	Weight (kg./pc.)	Order Code
LP3 1000	3	1000	1,781	3004563
LP3 2000	3	2000	3,566	3004565
LP3 3000	3	3000	5,350	3004566
LP4 1000	4	1000	2,323	3004568
LP4 2000	4	2000	4,651	3004570
LP4 3000	4	3000	6,979	3004571

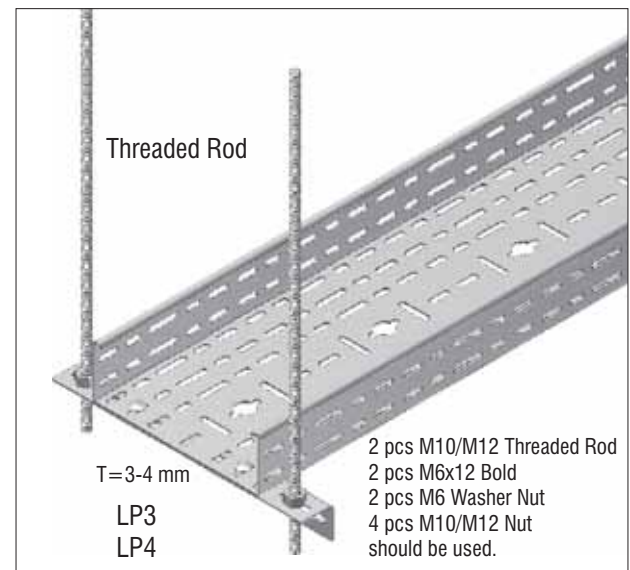
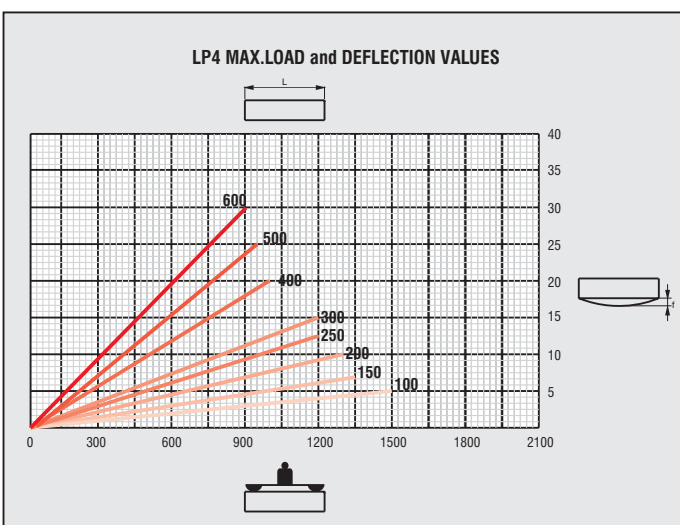


■ After the area is cut at required measures, the cut area should be painted in line with the coating procedure. (See. Binrak Page 33)



	Max. load value allowed in kg
	Console length (mm)
	Under the console load allowed, the bending (mm) at the end of the hanger support

Load values in tables have been defined on the basis of the TS EN 61537 standard.



■ Please indicate order code in your orders.

■ Please contact us for special size.

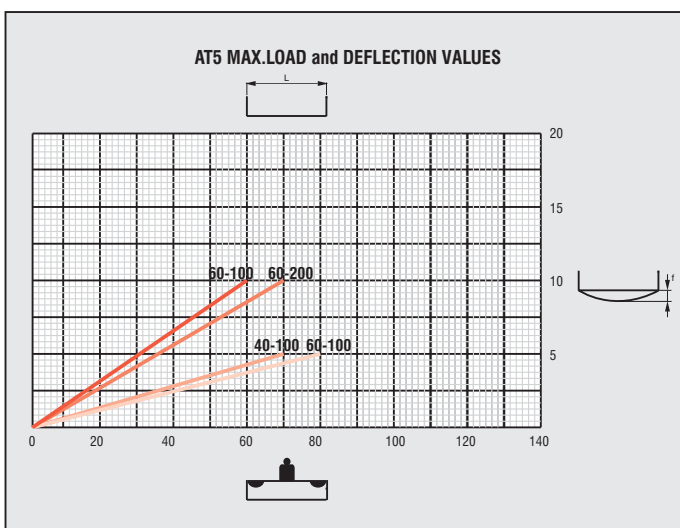
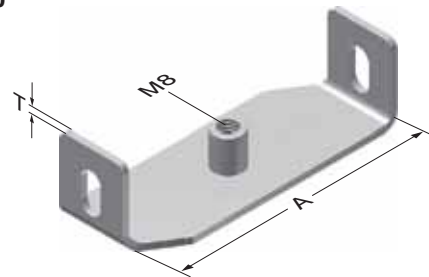
■ Material weights may vary by $\pm 10\%$


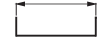

▶▶ TRAY SUPPORTS FOR THREADED RODS

Pre-galvanized (TS EN 10346 - TS EN 10143)

Description	T (mm)	A (mm)	Weight (kg./m.)	Order Code	Pack (pc.)
040 AT5 100	2,5	97	0,080	3006412	10
040 AT5 200	2,5	197	0,149	3006413	10
060 AT5 100	2,5	97	0,100	3006415	10
060 AT5 200	2,5	197	0,168	3006416	10

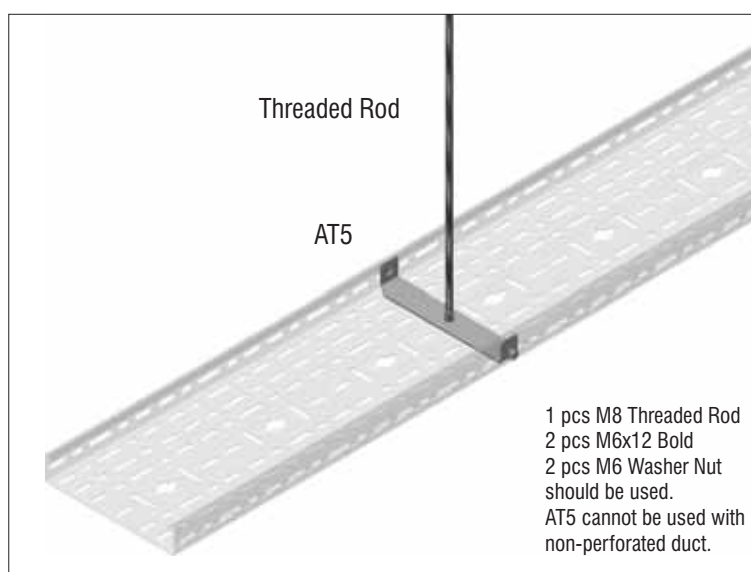
AT5



	Max. load value allowed in kg
	Console length (mm)
	Under the console load allowed, the bending (mm) at the end of the hanger support

Load values in tables have been defined on the basis of the TS EN 61537 standard.

■ AT5 type product just available to use up to 1.2mm thickness tray , Please do not order for over 1.2mm thickness cable trays/



■ Please indicate order code in your orders.

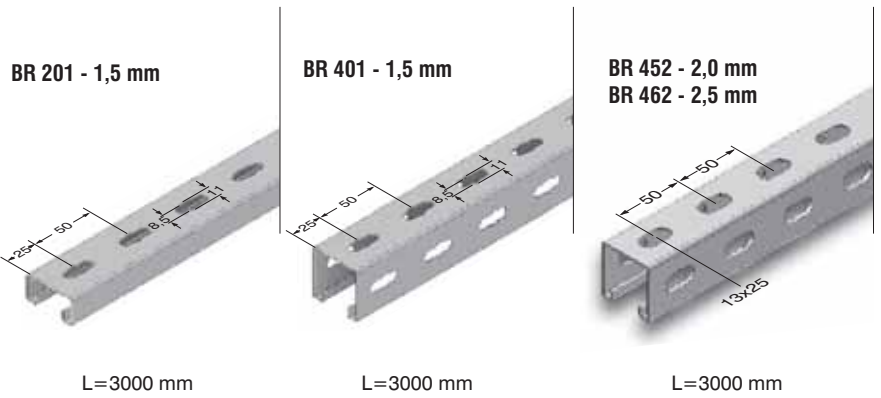
■ Please contact us for special size.

■ Material weights may vary by $\pm 10\%$

►► BINRAK CHANNEL

Pre-galvanized (TS EN 10346 - TS EN 10143)

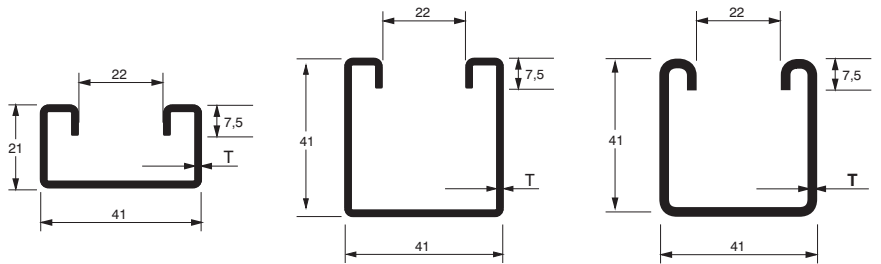
Description	T (mm)	Weight (kg./m.)	Order Code
BR 201 BINRAK	1,5	1,207	3008330
BR 401 BINRAK	1,5	1,587	3008328
BR 452 BINRAK	2	1,936	3005312
BR 462 BINRAK	2,5	2,341	3005314



►► BINRAK CHANNEL

Hot Dip Galvanized (TS EN ISO 1461)

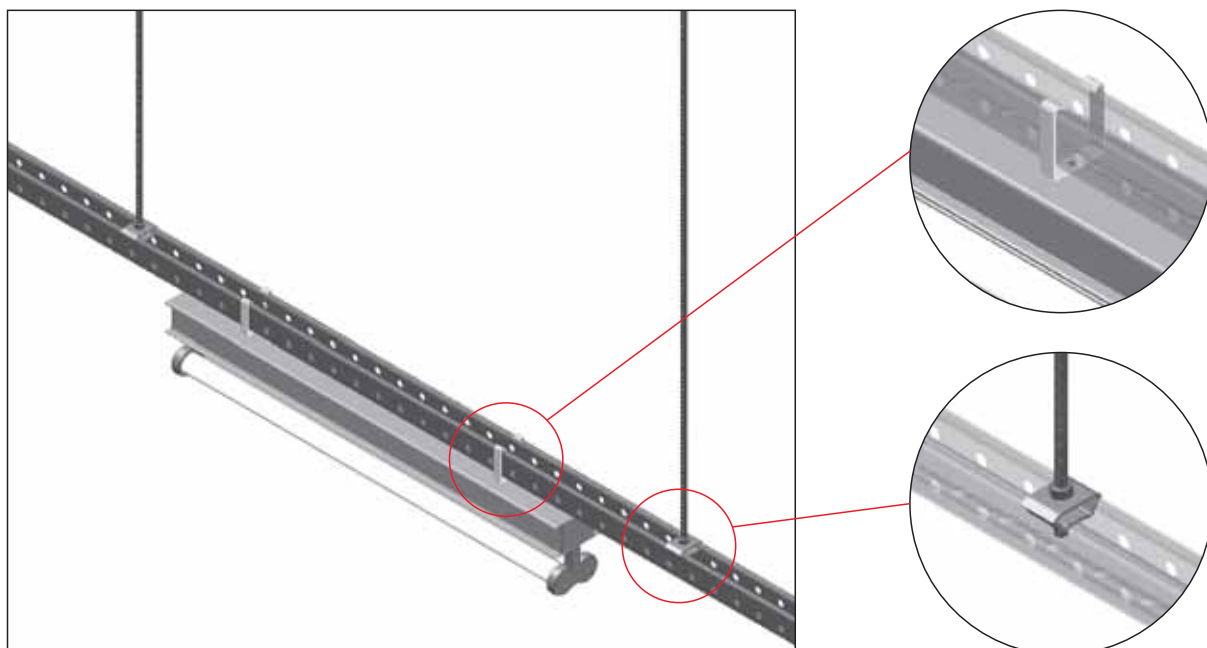
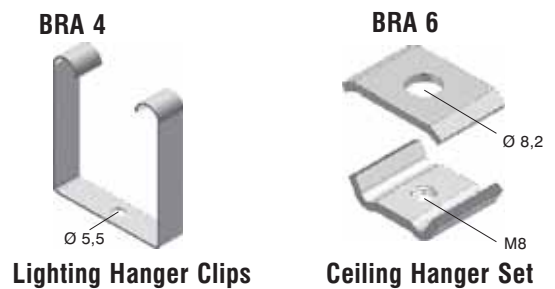
Description	T (mm)	Weight (kg./m.)	Order Code
BR 451 BINRAK	1,5	1,327	3008331
BR 461 BINRAK	1,5	1,745	3008329
BR 452 BINRAK	2	2,130	3005313
BR 462 BINRAK	2,5	2,575	3005315



■ After the area is cut at required measures, the cut area should be painted in line with the coating procedure. (See. Binrak Page 33)

►► FITTING ACESORIES

Description	Weight (kg./pc.)	Order Code
Lighting Hanger Clips	0,015	3008327
Ceiling Hanger Set	0,050	3008325



■ Please indicate order code in your orders.

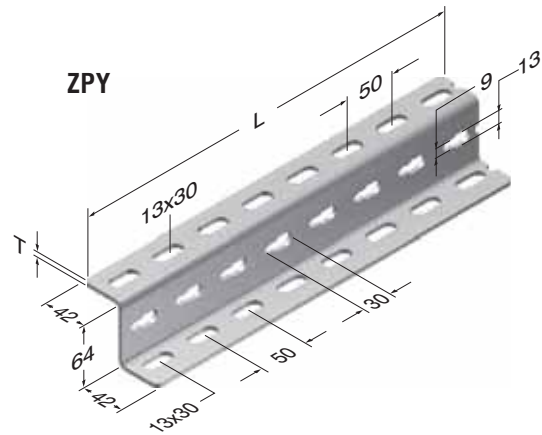
■ Please contact us for special size.

■ Material weights may vary by $\pm 10\%$

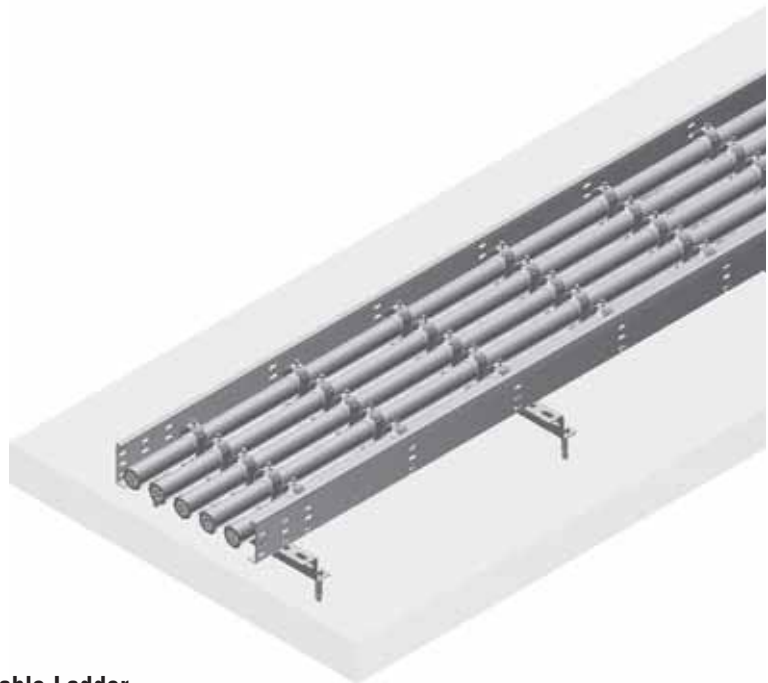
►► HEAVY DUTY SUPPORTS (Z)

Hot Dip Galvanized (TS EN ISO 1461)

Description	T (mm)	L (mm)	Weight (kg/pc)	Order Code
ZPY 1000	3	1000	3,022	3004416
ZPY 1500	3	1500	4,534	3004417
ZPY 2000	3	2000	6,045	3004418
ZPY 3000	3	3000	9,068	3001957
ZPY 1000	4	1000	3,973	3004483
ZPY 1500	4	1500	5,959	3004484
ZPY 2000	4	2000	7,947	3004485
ZPY 3000	4	3000	11,920	3001958



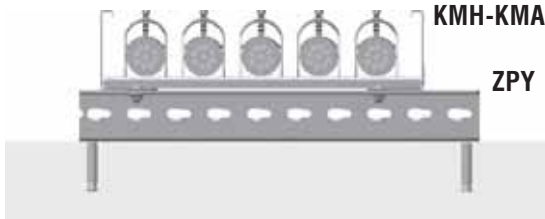
■ After the area is cut at required measures, the cut area should be painted in line with the coating procedure. (See. Binrak Page 33)



BRA CABLE CLAMP

KMH-KMA Cable Ladder

ZPY



■ Please indicate order code in your orders.

■ Please contact us for special size.

■ Material weights may vary by $\pm 10\%$

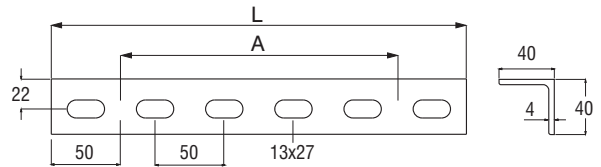
▶▶ UNIVERSAL SUPPORTS

Hot Dip Galvanized (TS EN ISO 1461)

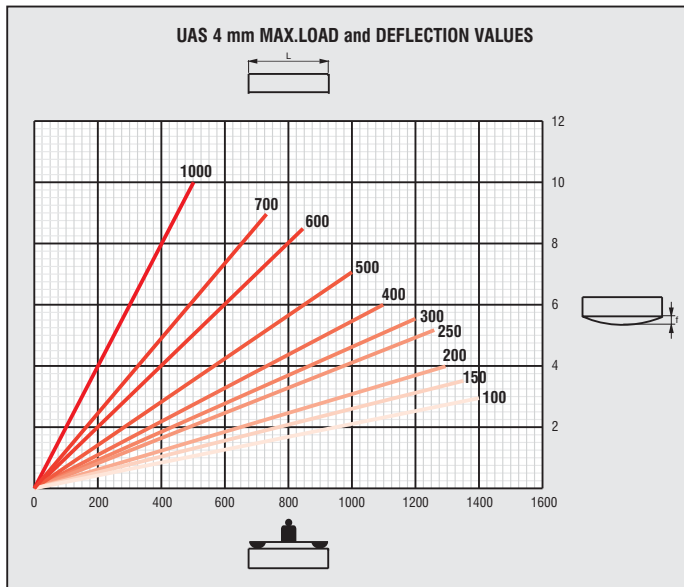
Description	L (mm)	T (mm)	Weight (kg/pc)	Order Code
UAS-K4 SUPPORT (1)	200	4	0,475	3005333
UAS-K4 SUPPORT (2)	250	4	0,594	3005332
UAS-K4 SUPPORT (3)	300	4	0,713	3005331
UAS-K4 SUPPORT (4)	350	4	0,832	3005330
UAS-K4 SUPPORT (5)	400	4	0,951	3005329
UAS-K4 SUPPORT (6)	500	4	1,189	3005328
UAS-K4 SUPPORT (7)	600	4	1,426	3005327
UAS-K4 SUPPORT (8)	700	4	1,664	3005326
UAS-K4 SUPPORT (9)	1100	4	2,615	3005325


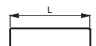

■ After the area is cut at required measures, the cut area should be painted in line with the coating procedure. (See. Binrak Page 33)

UAS

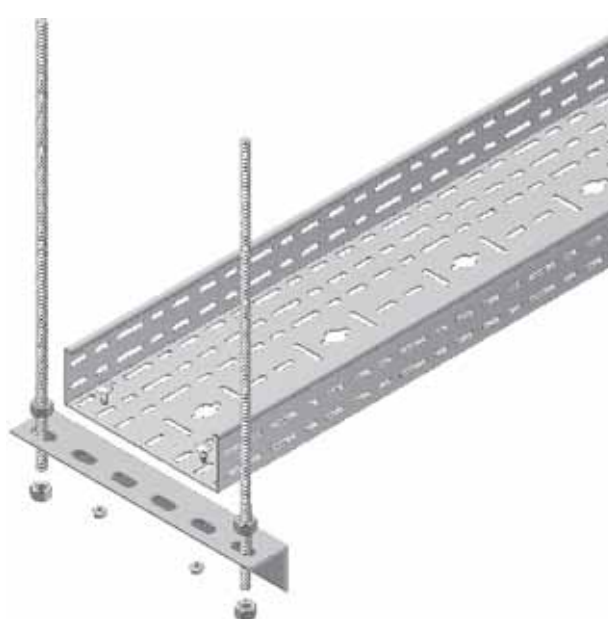


A=Cable tray width



	Max. load value allowed in kg
	Console length (mm)
	Under the console load allowed, the bending (mm) at the end of the hanger support

Load values in tables have been defined on the basis of the TS EN 61537 standard.



■ Please indicate order code in your orders.

■ Please contact us for special size.

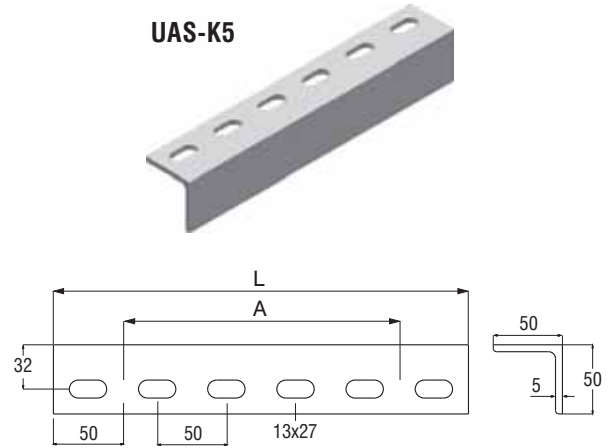
■ Material weights may vary by $\pm 10\%$

►► UNIVERSAL SUPPORTS

Hot Dip Galvanized (TS EN ISO 1461)

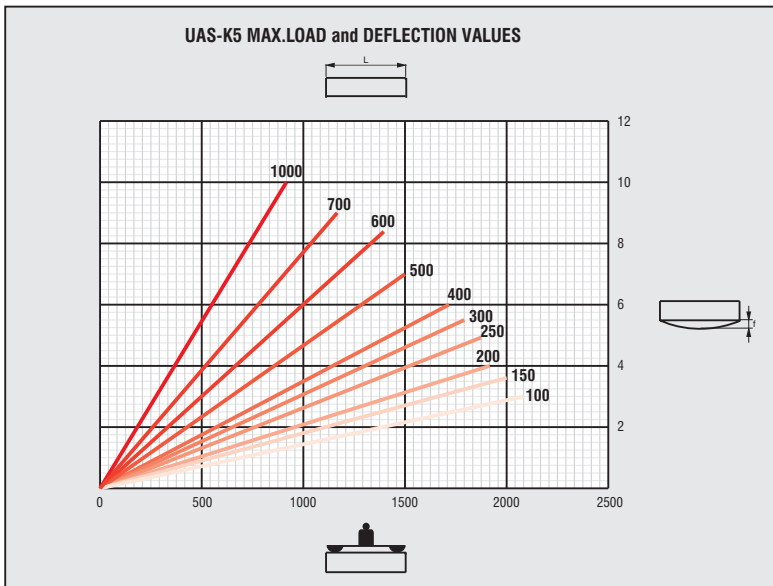
Description	L (mm)	T (mm)	Weight (kg/pc)	Order Code
UAS-K5 SUPPORT (1)	200	5	0,751	3005324
UAS-K5 SUPPORT (2)	250	5	0,938	3005323
UAS-K5 SUPPORT (3)	300	5	1,126	3005322
UAS-K5 SUPPORT (4)	350	5	1,313	3005321
UAS-K5 SUPPORT (5)	400	5	1,501	3005320
UAS-K5 SUPPORT (6)	500	5	1,876	3005319
UAS-K5 SUPPORT (7)	600	5	2,252	3005318
UAS-K5 SUPPORT (8)	700	5	2,627	3005317
UAS-K5 SUPPORT (9)	1100	5	4,129	3005316

UAS-K5



A=Cable tray width

■ After the area is cut at required measures, the cut area should be painted in line with the coating procedure. (See. Binrak Page 33)



	Max. load value allowed in kg
	Console length (mm)
	Under the console load allowed, the bending (mm) at the end of the hanger support

Load values in tables have been defined on the basis of the TS EN 61537 standard.



■ Please indicate order code in your orders.

■ Please contact us for special size.

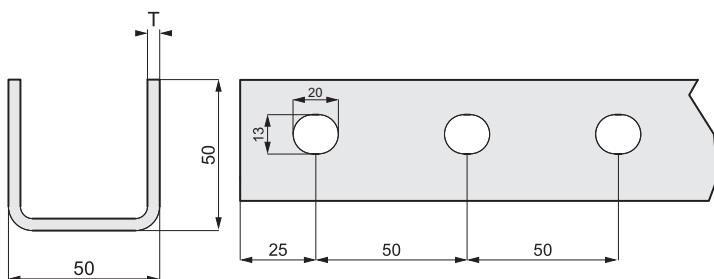
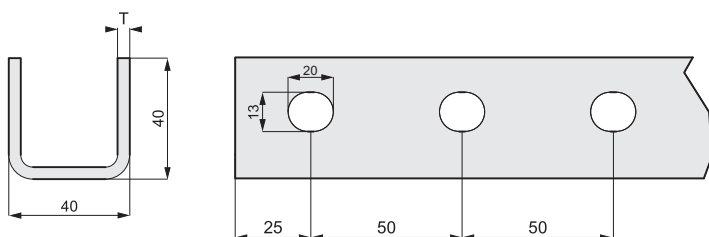
■ Material weights may vary by $\pm 10\%$

▶▶ HEAVY DUTY SUPPORTS (U)

Hot Dip Galvanized (TS EN ISO 1461)

Description	L (mm)	T (mm)	Weight (kg/pc)	Order Code
40x40x4	1000	4	3,362	3086602
40x40x4	2000	4	6,723	3086603
40x40x4	3000	4	10,085	3086604
50x50x4	1000	4	4,398	3086608
50x50x4	2000	4	8,796	3086609
50x50x4	3000	4	13,193	3086610

“U” Profile



- After the area is cut at required measures, the cut area should be painted in line with the coating procedure. (See. Binrak Page 33)

U-IRON SAFE CARRIAGE CAPACITIES

LOADING DIRECTION	L (mm)	Max. Load Allowed q (kg)	
		40x40x4mm	50x50x4mm
	500	400	600
	750	330	510
	1000	270	430
	1250	210	375
	1500	170	320
	1750	140	265
	2000	120	210
	2250	100	185
	2500	85	160
	2750	70	140
3000	60	120	

- Please indicate order code in your orders.

- Please contact us for special size.

- Material weights may vary by $\pm 10\%$

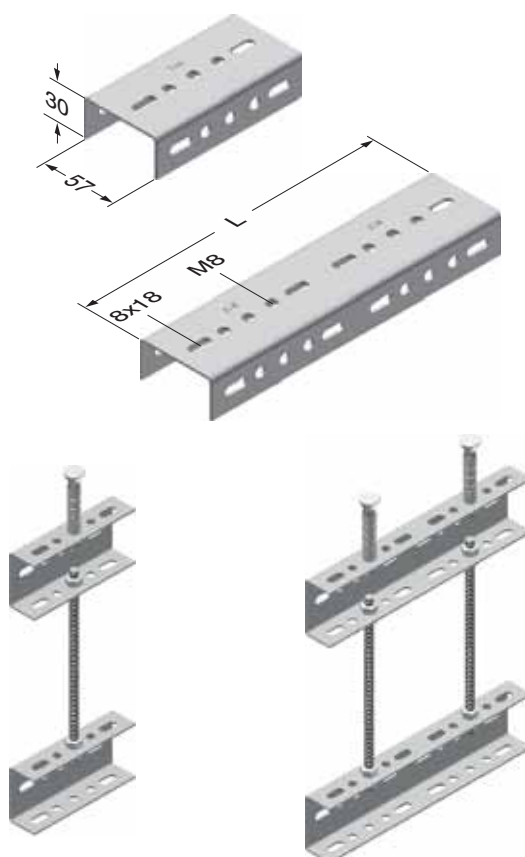
►► UNIVERSAL SUPPORT FITTINGS (M8)

Description	Weight (kg/pc)	Order Code
UK-L1 Universal Support Unit (L-120) M8	0,189	3008227
UK-L2 Universal Support Unit (L-240) M8	0,377	3008226
UK-L3 Universal Support Unit (L-360) M8	0,566	3008225
UK-L4 Universal Support Unit (L-480) M8	0,755	3008224
UK-L5 Universal Support Unit (L-960) M8	1,509	3008223

Description	Weight (kg/set)	Order Code	Pack (pc.)
UAT1 50 cm Single Pendant Set (120) M8	0,722	3008178	20
UAT1 100 cm Single Pendant Set (120) M8	0,919	3008177	20
UAT1 150 cm Single Pendant Set (120) M8	1,117	3008181	20
UAT1 200 cm Single Pendant Set (120) M8	1,233	3008182	20
UAT2 50 cm Double Pendant Set (360) M8	1,820	3008180	20
UAT2 100 cm Double Pendant Set (360) M8	2,214	3008179	20
UAT2 150 cm Double Pendant Set (360) M8	2,610	3008183	20
UAT2 200 cm Double Pendant Set (360) M8	2,842	3008184	20

Set of UAT1 M8 consists; 2 UK-L1 Universal bracket, 1 M8 threaded rod, 4 M8 nut, 1 M8 steel dowel should be used.

Set of UAT2 M8 consists; 2 UK-L3 Universal bracket, 2 M8 threaded rod, 8 M8 nut, 2 M8 steel dowel should be used.



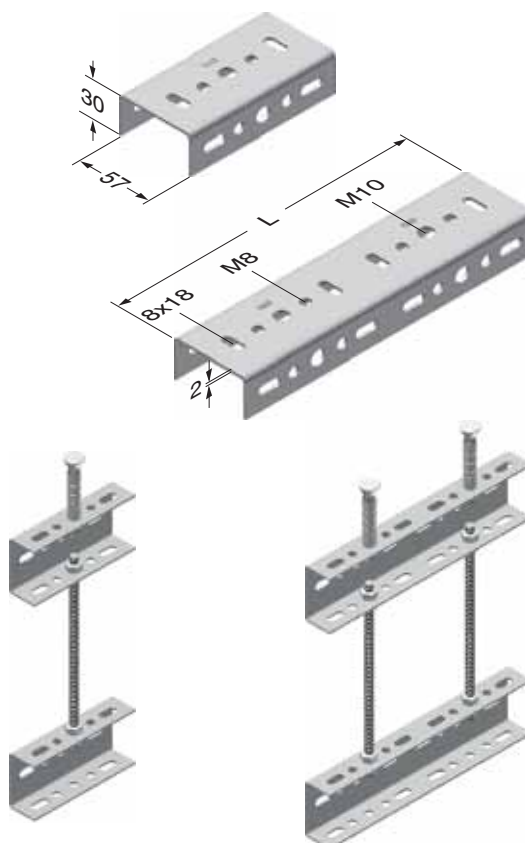
►► UNIVERSAL SUPPORT UNITS (M10)

Description	Weight (kg/pc)	Order Code
UK-S1 Universal Support Unit (L-120) M10	0,188	3008147
UK-S2 Universal Support Unit (L-240) M10	0,376	3008148
UK-S3 Universal Support Unit (L-360) M10	0,565	3008149
UK-S4 Universal Support Unit (L-480) M10	0,753	3008150
UK-S5 Universal Support Unit (L-960) M10	1,506	3008151

Description	Weight (kg/set)	Order Code	Pack (pc.)
UAT1 50 cm Single Pendant Set (120) M10	0,842	3008158	20
UAT1 100 cm Single Pendant Set (120) M10	1,150	3008159	20
UAT1 150 cm Single Pendant Set (120) M10	1,459	3008155	20
UAT1 200 cm Single Pendant Set (120) M10	1,768	3008154	20
UAT2 50 cm Double Pendant Set (360) M10	2,062	3008156	20
UAT2 100 cm Double Pendant Set (360) M10	2,678	3008157	20
UAT2 150 cm Double Pendant Set (360) M10	3,296	3008153	20
UAT2 200 cm Double Pendant Set (360) M10	3,914	3008152	20

Set of UAT1 M10 consists; 2 UK-S1 Universal bracket, 1 M10 threaded rod, 4 M10 nut, 1 M8 steel dowel should be used.

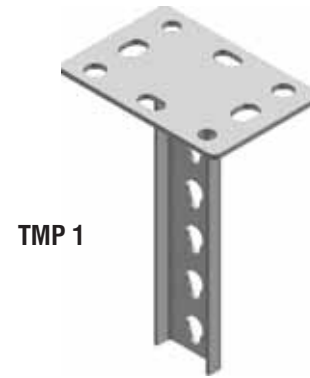
Set of UAT2 M10 consists; 2 UK-S3 Universal bracket, 2 M10 threaded rod, 4 M10 nut, 2 M8 steel dowel should be used.



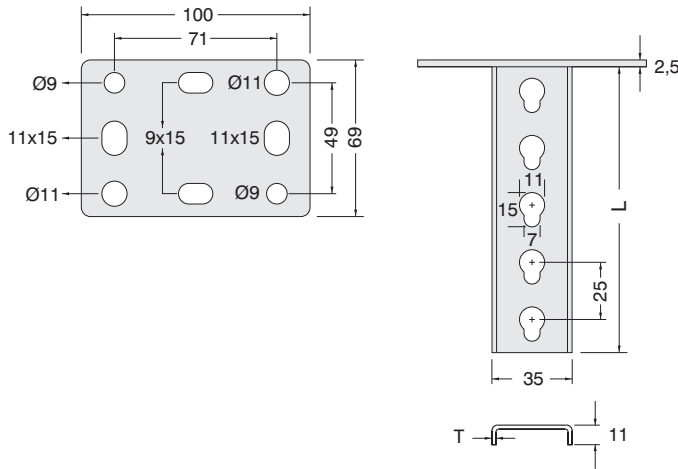
▶▶ CEILING MOUNTING FITTINGS

Hot Dip Galvanized After Fabrication (TS EN ISO 1461)

Description	L (mm)	T (mm)	Tensile Load (kg)	Weight (kg./pc)	Order Code	Pack (pc.)
TMP 1 Ceiling Support Unit	125	2	250	0,228	3008194	10
TMP 1 Ceiling Support Unit	250	2	250	0,326	3008193	10
TMP 1 Ceiling Support Unit	500	2	250	0,476	3008192	10



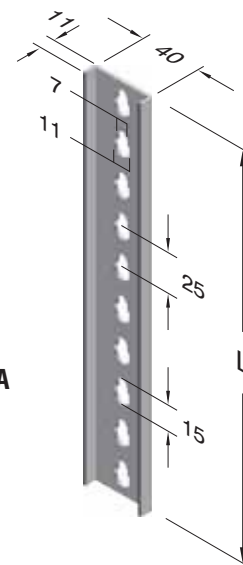
TMP 1



▶▶ SUPPORT EXTENSION UNITS

Pre-galvanized (TS EN 10346 - TS EN 10143)

Description	L (mm)	T (mm)	Weight (kg./pc)	Order Code	Pack (pc.)
ASU 1A-1	125	2	0,089	3008580	20
ASU 1A-2	250	2	0,179	3008578	20
ASU 1A-3	500	2	0,358	3008576	20
ASU 1A-4	1000	2	0,716	3008574	20



ASU 1A

▶▶ SUPPORT EXTENSION UNITS

Hot Dip Galvanized After Fabrication (TS EN ISO 1461)

Description	L (mm)	T (mm)	Weight (kg./pc)	Order Code	Pack (pc.)
ASU 1A-1	125	2	0,098	3008581	20
ASU 1A-2	250	2	0,197	3008579	20
ASU 1A-3	500	2	0,394	3008577	20
ASU 1A-4	1000	2	0,788	3008575	20

■ Please indicate order code in your orders.

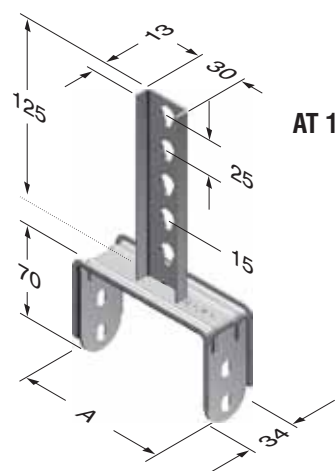
■ Please contact us for special size.

■ Material weights may vary by $\pm 10\%$

▶▶ TRAY SUPPORTS

Hot Dip Galvanized After Fabrication (TS EN ISO 1461)

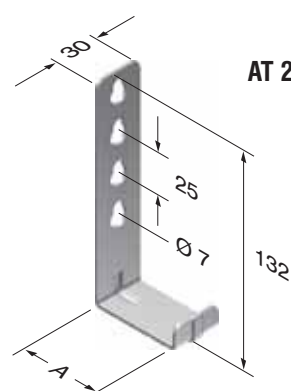
Description	A (mm)	T (mm)	Weight (kg./pc)	Order Code	Pack (pc.)
AT1 050	50	2	0,199	3008541	20
AT1 100	100	2	0,232	3008540	10
AT1 150	150	2	0,240	3008539	10
AT1 200	200	2	0,293	3008538	10



▶▶ TRAY SUPPORT

Hot Dip Galvanized After Fabrication (TS EN ISO 1461)

Description	A (mm)	T (mm)	Weight (kg./pc)	Order Code	Pack (pc.)
4 AT2 050	50	2	0,098	3008537	10



▶▶ TRAY SUPPORT

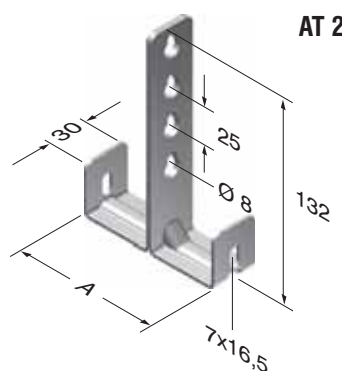
Pre-galvanized (TS EN 10346 - TS EN 10143)

Description	A (mm)	T (mm)	Weight (kg./pc)	Order Code	Pack (pc.)
4 AT2 050	50	2	0,089	3008536	10

▶▶ "T" SYSTEMS TRAY SUPPORTS

Hot Dip Galvanized After Fabrication (TS EN ISO 1461)

Description	A (mm)	T (mm)	Weight (kg./set)	Order Code	Pack (pc.)
4 AT2 100	97	2	0,202	3008535	5
4 AT2 150	147	2	0,228	3008533	5
4 AT2 200	197	2	0,258	3008531	5
6 AT2 100	97	2	0,222	3008262	5
6 AT2 150	147	2	0,250	3008260	5
6 AT2 200	197	2	0,278	3008529	5



▶▶ "T" SYSTEMS TRAY SUPPORTS

Pre-galvanized (TS EN 10346 - TS EN 10143)

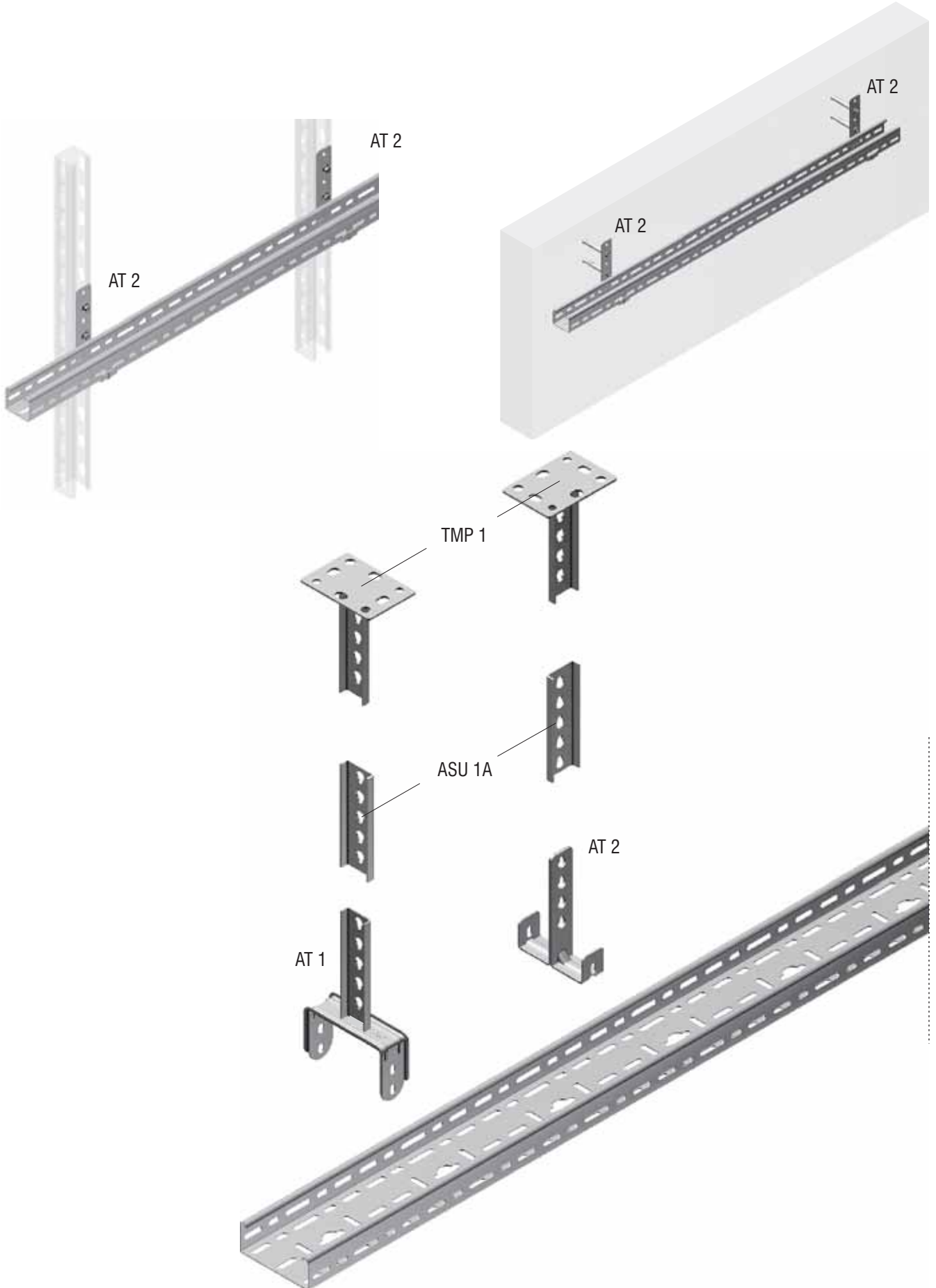
Description	A (mm)	T (mm)	Weight (kg./set)	Order Code	Pack (pc.)
4 AT2 100	97	2	0,184	3008534	5
4 AT2 150	147	2	0,208	3008532	5
4 AT2 200	197	2	0,234	3008530	5
6 AT2 100	97	2	0,202	3008261	5
6 AT2 150	147	2	0,228	3008259	5
6 AT2 200	197	2	0,252	3008528	5

■ Please indicate order code in your orders.

■ Please contact us for special size.

■ AT2 hanger carriers cannot be used with hot-dip trays (1,5-2mm).

■ Material weights may vary by $\pm 10\%$



■ Please indicate order code in your orders.

■ Please contact us for special size.

■ Material weights may vary by $\pm 10\%$

▶▶ TRAY SUPPORTS

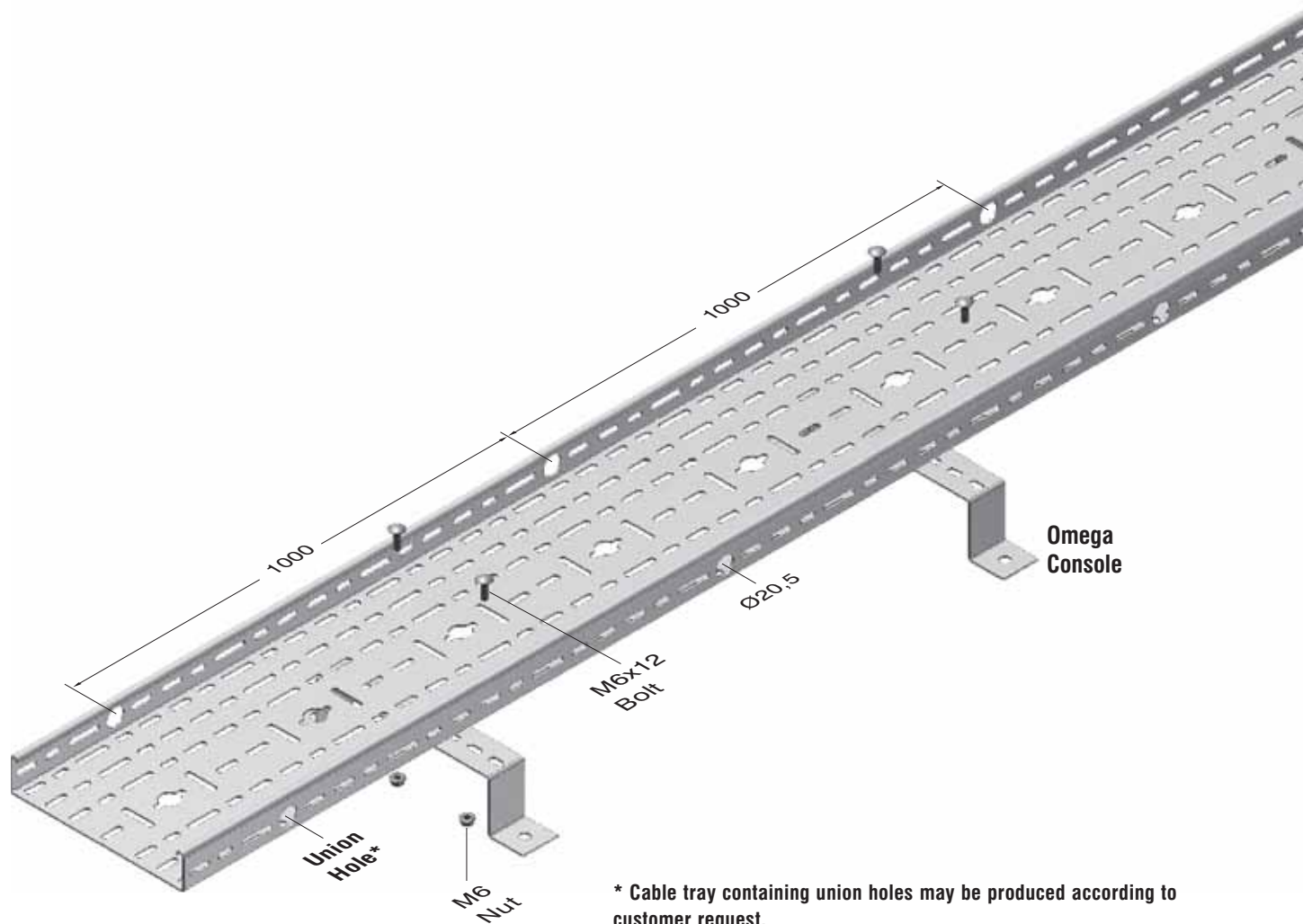
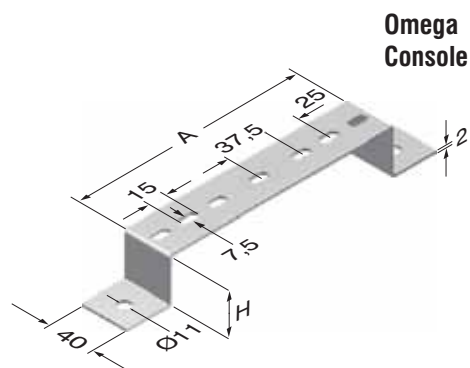
Pre-galvanized (TS EN 10346 - TS EN 10143)

Description	H (mm)	A (mm)	T (mm)	Weight (kg./pc)	Order Code	Pack (pc.)
Omega Console 1	40	100	2	0,150	3006359	10
Omega Console 2	40	200	2	0,205	3006371	10
Omega Console 3	40	300	2	0,262	3006373	10

▶▶ TRAY SUPPORTS

Hot Dip Galvanized (TS EN ISO 1461)

Description	H (mm)	A (mm)	T (mm)	Weight (kg./pc)	Order Code	Pack (pc.)
Omega Console 1	40	100	2	0,165	3006360	10
Omega Console 2	40	200	2	0,226	3006372	10
Omega Console 3	40	300	2	0,288	3006374	10



* Cable tray containing union holes may be produced according to customer request.

■ Please indicate order code in your orders.

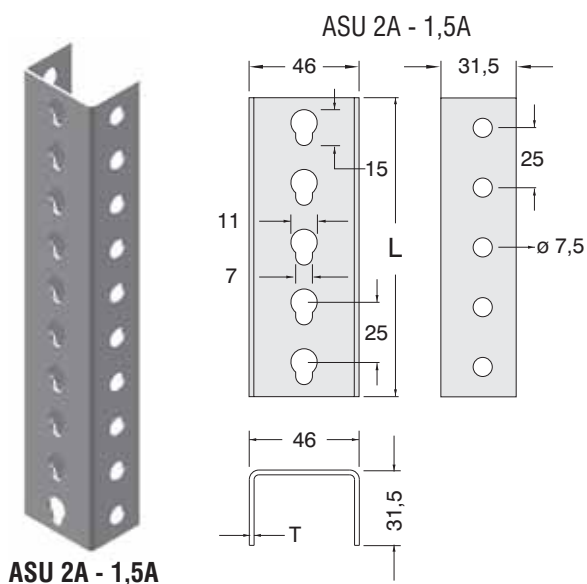
■ Please contact us for special size.

■ Material weights may vary by $\pm 10\%$

►► SUPPORT EXTENSION UNITS

Pre-galvanized (TS EN 10346 - TS EN 10143)

Description	L (mm)	T (mm)	Weight (kg./pc.)	Order Code	Pack (pc.)
ASU 2A-1	125	2	0,200	3008588	10
ASU 2A-2	250	2	0,367	3008586	10
ASU 2A-3	500	2	0,738	3008584	10
ASU 2A-4	1000	2	1,477	3008582	10
ASU 2A-5	2000	2	2,953	3008167	10
ASU 2A-6	3000	2	4,430	3008174	20
ASU 1,5A-4	1000	1,5	1,103	3086455	10
ASU 1,5A-5	2000	1,5	2,206	3086457	10
ASU 1,5A-6	3000	1,5	3,309	3086458	20

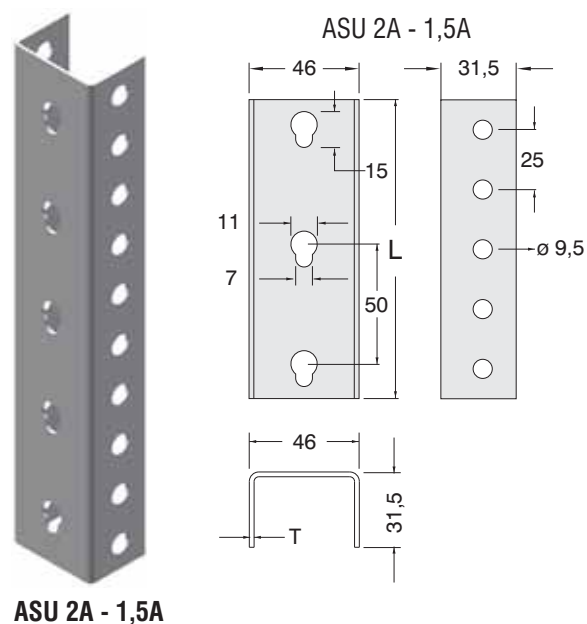


ASU 2A - 1,5A

►► SUPPORT EXTENSION UNITS

Hot Dip Galvanized After Fabrication (TS EN ISO 1461)

Description	L (mm)	T (mm)	Weight (kg./pc.)	Order Code	Pack (pc.)
ASU 2A-4	1000	2	1,625	3008583	10
ASU 2A-5	2000	2	3,248	3008168	10
ASU 2A-6	3000	2	4,873	3008175	20
ASU 1,5A-4	1000	1,5	1,213	3086459	10
ASU 1,5A-5	2000	1,5	2,427	3086460	10
ASU 1,5A-6	3000	1,5	3,640	3086461	20

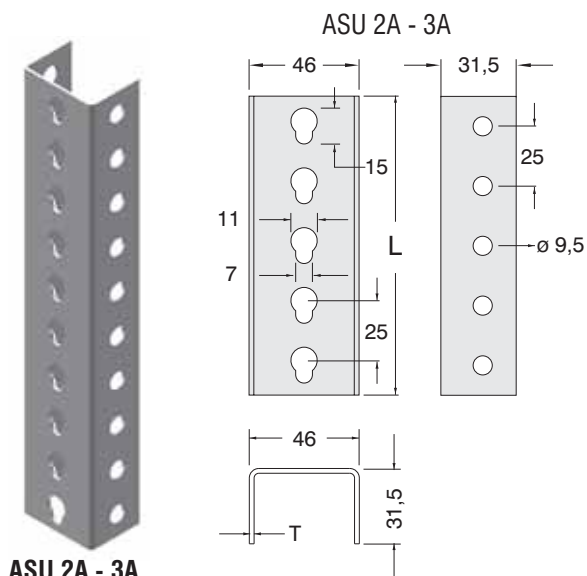


ASU 2A - 1,5A

►► SUPPORT EXTENSION UNITS

Hot Dip Galvanized After Fabrication (TS EN ISO 1461)

Description	L (mm)	T (mm)	Weight (kg./pc.)	Order Code	Pack (pc.)
ASU 2A-1	125	2	0,220	3008589	10
ASU 2A-2	250	2	0,404	3008587	10
ASU 2A-3	500	2	0,812	3008585	10
ASU 3A-4	1000	3	2,455	3086433	10
ASU 3A-5	2000	3	4,911	3086434	10
ASU 3A-6	3000	3	7,365	3086435	20



ASU 2A - 3A

■ Please indicate order code in your orders.

■ Please contact us for special size.

■ Material weights may vary by $\pm 10\%$

▶▶ ASU JOINT UNIT

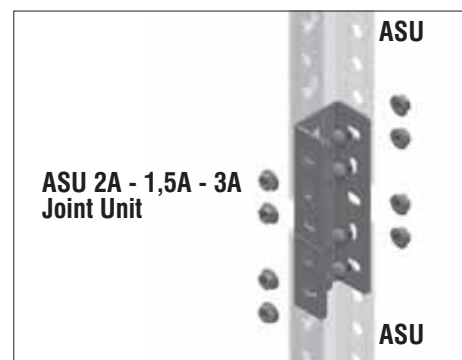
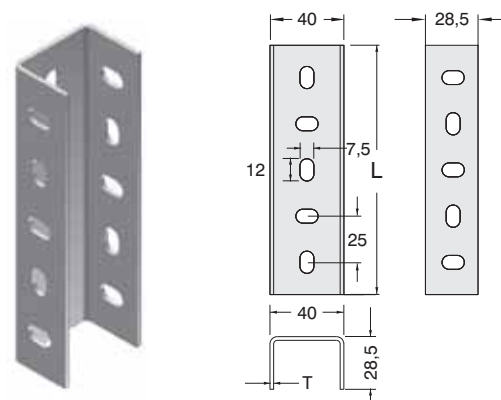
Pre-galvanized (TS EN 10346 - TS EN 10143)

Description	L (mm)	T (mm)	Weight (kg./pc.)	Order Code	Pack (pc.)
ASU Joint Unit	135	2	0,173	3006640	20

▶▶ ASU JOINT UNIT

Hot Dip Galvanized After Fabrication (TS EN ISO 1461)

Description	L (mm)	T (mm)	Weight (kg./pc.)	Order Code	Pack (pc.)
ASU Joint Unit	135	2	0,269	3006641	20

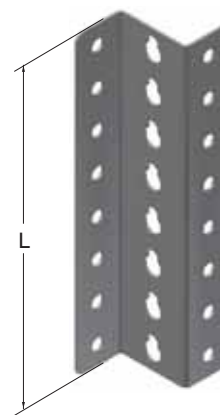


▶▶ HANGER MODULES

Pre-galvanized (TS EN 10346 - TS EN 10143)

Description	L (mm)	T (mm)	Weight (kg./pc.)	Order Code	Pack (pc.)
ASU-Z 1000	1000	1,5	1,086	3086467	10
ASU-Z 1500	1500	1,5	1,628	3086468	10
ASU-Z 2000	2000	1,5	2,171	3086469	10
ASU-Z 3000	3000	1,5	3,257	3086470	10
ASU-Z 1000	1000	2	1,445	3086475	10
ASU-Z 1500	1500	2	2,168	3086476	10
ASU-Z 2000	2000	2	2,891	3086477	10
ASU-Z 3000	3000	2	4,336	3086478	10

ASU-Z

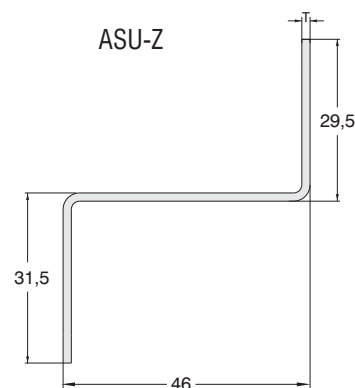


▶▶ HANGER MODULES

Hot Dip Galvanized After Fabrication (TS EN ISO 1461)

Description	L (mm)	T (mm)	Weight (kg./pc.)	Order Code	Pack (pc.)
ASU-Z 1000	1000	1,5	1,195	3086471	10
ASU-Z 1500	1500	1,5	1,791	3086472	10
ASU-Z 2000	2000	1,5	2,388	3086473	10
ASU-Z 3000	3000	1,5	3,583	3086474	10
ASU-Z 1000	1000	2	1,590	3086479	10
ASU-Z 1500	1500	2	2,385	3086480	10
ASU-Z 2000	2000	2	3,180	3086481	10
ASU-Z 3000	3000	2	4,770	3086482	10

ASU-Z



■ Please indicate order code in your orders.

■ Please contact us for special size.

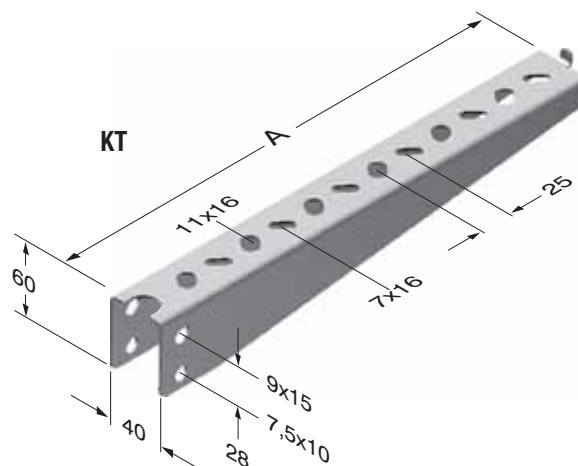
■ After the area is cut at required measures, the cut area should be painted in line with the coating procedure. (See. Binrak Page 33)

■ Material weights may vary by $\pm 10\%$

▶▶ TRAY SUPPORTS

Pre-galvanized (TS EN 10346 - TS EN 10143)

Description	A (mm)	T (mm)	Weight (kg./pc)	Order Code	Pack (pc.)
KT 050	90	1,5	0,115	3008572	40
KT 100	140	1,5	0,170	3008570	20
KT 150	190	1,5	0,224	3008568	20
KT 200	240	1,5	0,281	3008566	20
KT 250	290	1,5	0,337	3008564	20
KT 300	340	1,5	0,428	3008562	10
KT 400	440	2	0,682	3008560	10
KT 500	540	2	0,840	3008558	10
KT 600	640	2	0,997	3008263	10

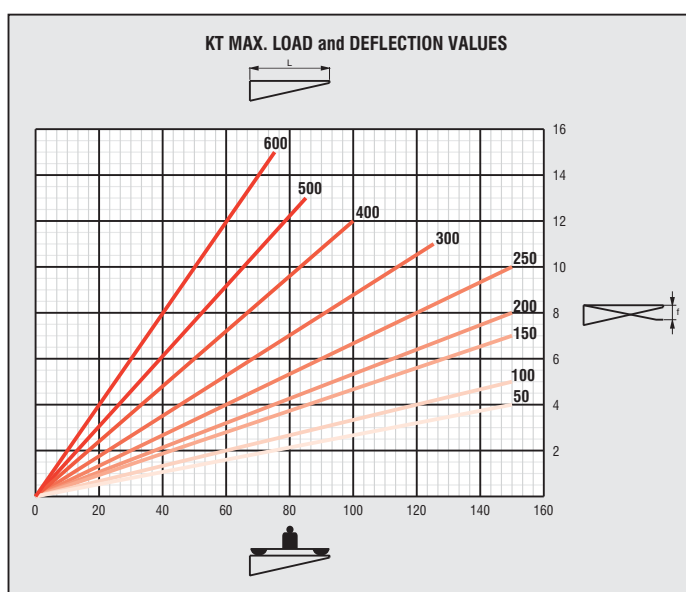
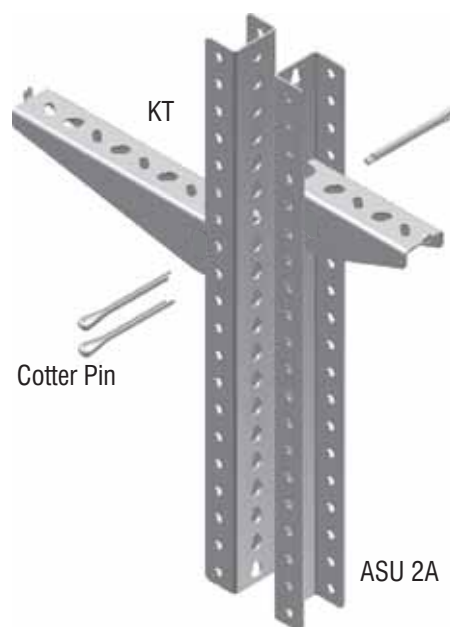


During the KT installation, for the A size, it is advised to use a single joint pin up to 90-140-190-240, and a double joint pin from the size 290 up to 640.

▶▶ TRAY SUPPORTS

Hot Dip Galvanized After Fabrication (TS EN ISO 1461)

Description	A (mm)	T (mm)	Weight (kg./pc)	Order Code	Pack (pc.)
KT 050	90	1,5	0,126	3008573	40
KT 100	140	1,5	0,187	3008571	20
KT 150	190	1,5	0,246	3008569	20
KT 200	240	1,5	0,309	3008567	20
KT 250	290	1,5	0,370	3008565	20
KT 300	340	1,5	0,470	3008563	10
KT 400	440	2	0,750	3008561	10
KT 500	540	2	0,924	3008559	10
KT 600	640	2	1,097	3008264	10



	Max. load value allowed in kg
	Console length (mm)
	Under the console load allowed, the bending (mm) at the end of the hanger support

Load values in Tables have been defined on the basis of the TS EN 61537 Standard.

▶▶ CEILING MOUNTING FITTINGS

Pre-galvanized (TS EN 10346 - TS EN 10143)

Description	T (mm)	Weight (kg./pc)	Order Code	Pack (pc.)
TMP 6 Ceiling Support Unit	2	0,269	3008379	10

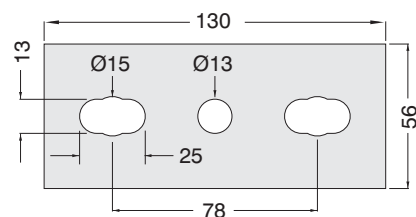
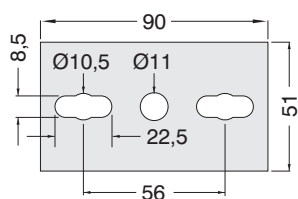
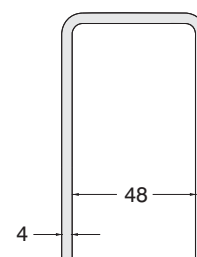
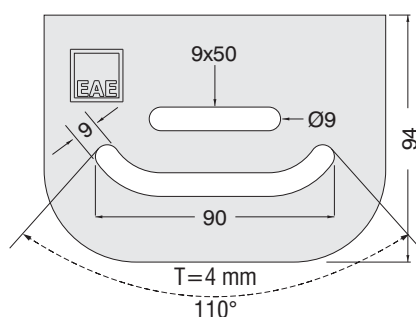
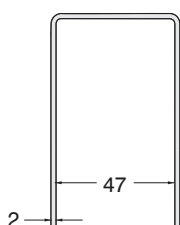
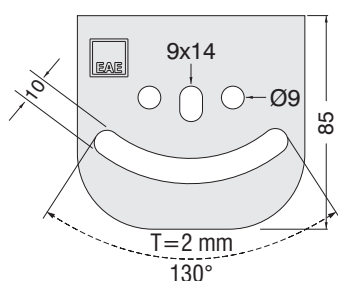
▶▶ CEILING MOUNTING FITTINGS

Hot Dip Galvanized After Fabrication (TS EN ISO 1461)

Description	T (mm)	Weight (kg./pc)	Order Code	Pack (pc.)
TMP 6 Ceiling Support Unit	2	0,296	3008380	10
TMP 6 Ceiling Support Unit	4	0,884	3006349	10



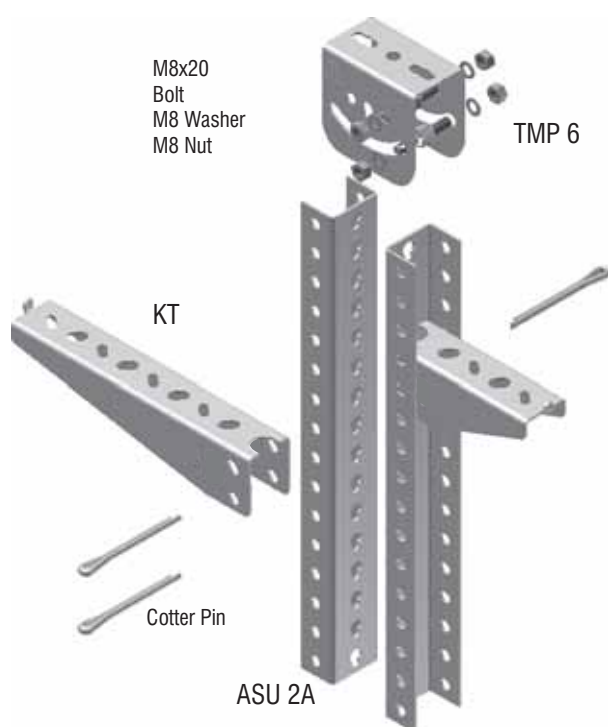
TMP 6



M8x20 Bolt
M8 Washer
M8 Nut



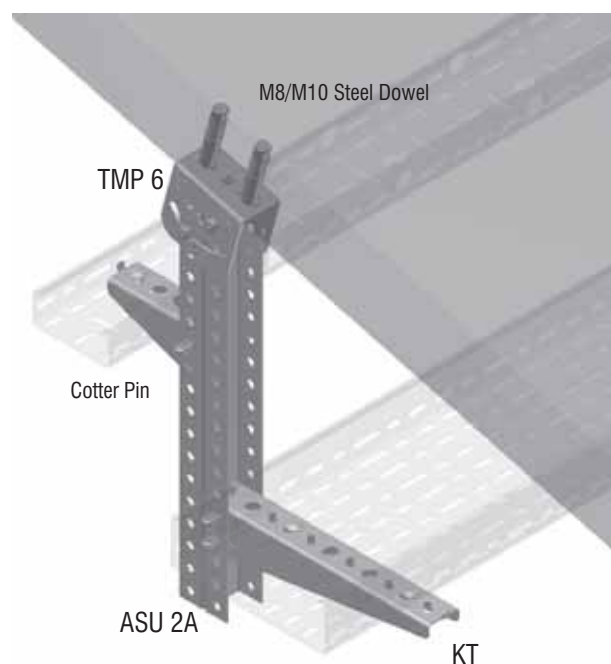
TMP 6



KT

Cotter Pin

ASU 2A



M8/M10 Steel Dowel

TMP 6

Cotter Pin

ASU 2A

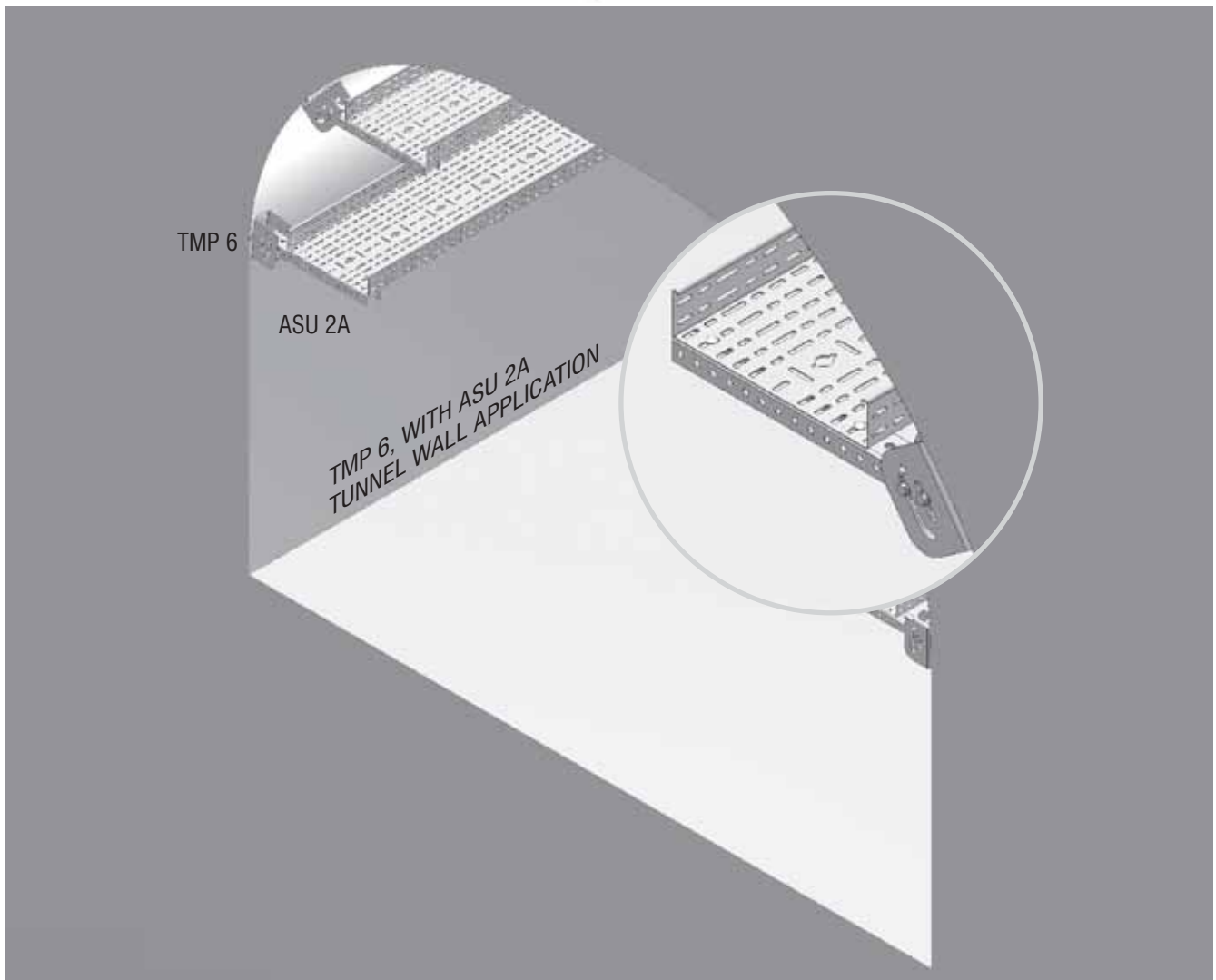
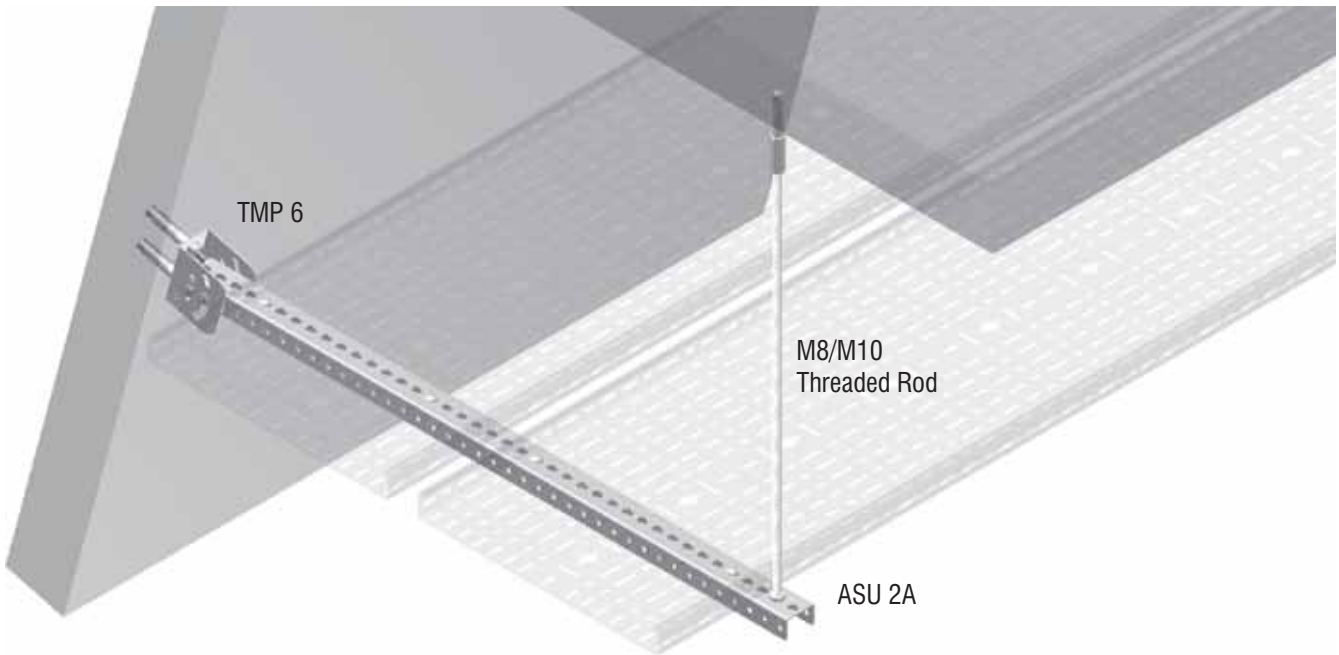
KT

■ Please indicate order code in your orders.

■ Please contact us for special size.

■ Material weights may vary by $\pm 10\%$

TMP 6, WITH ASU 2A TUNNEL WALL APPLICATION



■ Please indicate order code in your orders.

■ Please contact us for special size.

■ Material weights may vary by $\pm 10\%$

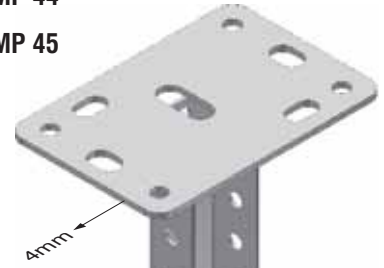
▶▶ CEILING MOUNTING FITTINGS

Hot Dip Galvanized After Fabrication (TS EN ISO 1461)

Description	L (mm)	T (mm)	Pulling Load (kg.)	Weight (kg./pc)	Order Code	Pack (pc.)
TMP41 Ceiling Support Unit	125	2	500	0,318	3008232	20
TMP42 Ceiling Support Unit	250	2	500	0,487	3008233	20
TMP43 Ceiling Support Unit	500	2	500	0,856	3008234	10
TMP44 Ceiling Support Unit	1000	2	500	1,936	3008235	-
TMP45 Ceiling Support Unit	2000	2	500	3,413	3007952	-

TMP 44

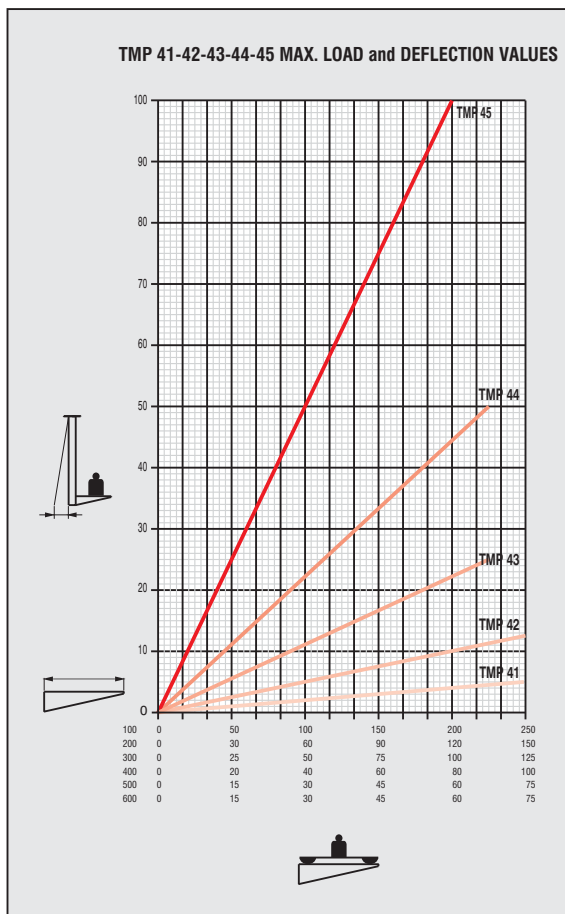
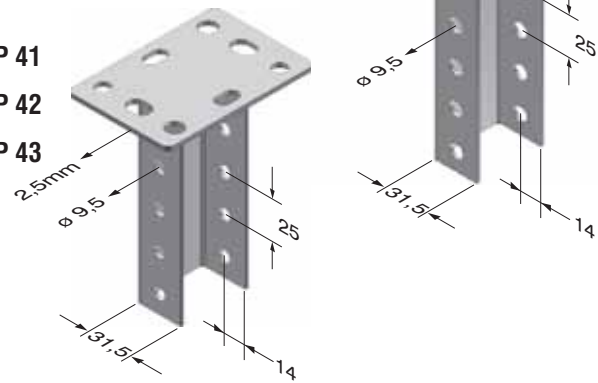
TMP 45



TMP 41

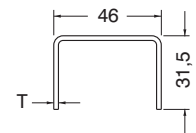
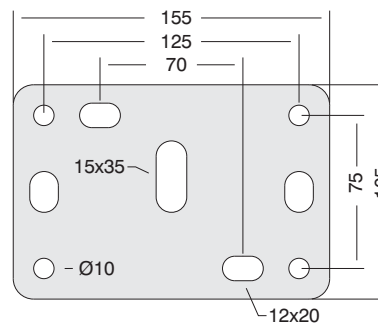
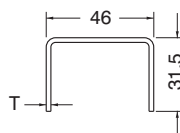
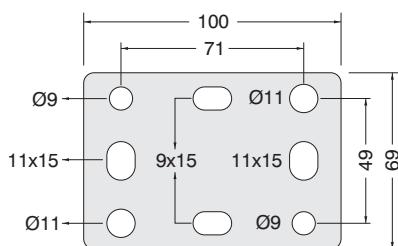
TMP 42

TMP 43



	Max. load value allowed in kg
	Console length (mm)
	Hanger support distances as indicated in our product Standard
	Under the console load allowed, the bending (mm) at the end of the hanger support

Load values in Tables have been defined on the basis of the TS EN 61537 Standard.

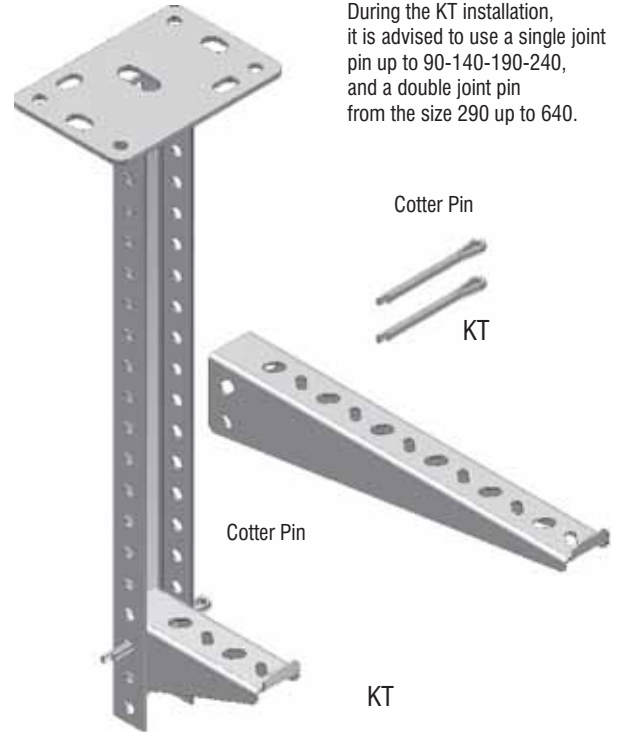
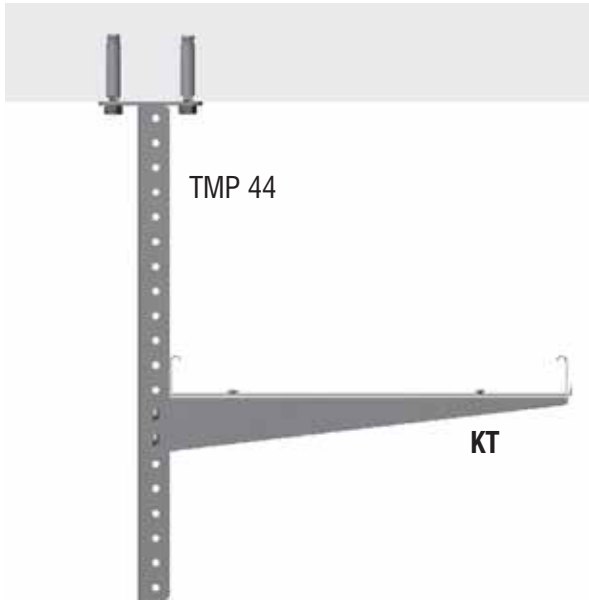


■ Please indicate order code in your orders.

■ Please contact us for special size.

■ Material weights may vary by ± 10%

TMP 44



During the KT installation, it is advised to use a single joint pin up to 90-140-190-240, and a double joint pin from the size 290 up to 640.

One Sided - Single	VERTICAL HANGER: TMP 41 / TMP 45 Series			P (kg) PERMITTED MAXIMUM LOAD FOR ONE SIDED LOADING					
	Type	L (mm)	Fz max. (kg)	A (Console Length)					
				100	200	300	400	500	600
	TMP 41	125	500	240	220	200	180	160	140
	TMP 42	250		240	220	200	180	160	140
	TMP 43	500		240	220	200	180	160	140
	TMP 44	1000		220	200	180	150	120	100
	TMP 45	2000		140	120	100	80	70	60

Double Sided - Single	VERTICAL HANGER: TMP 41 / TMP 45 Series			P (kg) PERMITTED MAXIMUM LOAD FOR DOUBLE SIDED LOADING					
	Type	L (mm)	Fz max. (kg)	A (Console Length)					
				100	200	300	400	500	600
	TMP 41	125	500	250	250	250	250	250	250
	TMP 42	250		250	250	250	250	250	
	TMP 43	500		250	250	250	250	250	
	TMP 44	1000		250	250	250	250	250	
	TMP 45	2000		250	250	250	250	250	

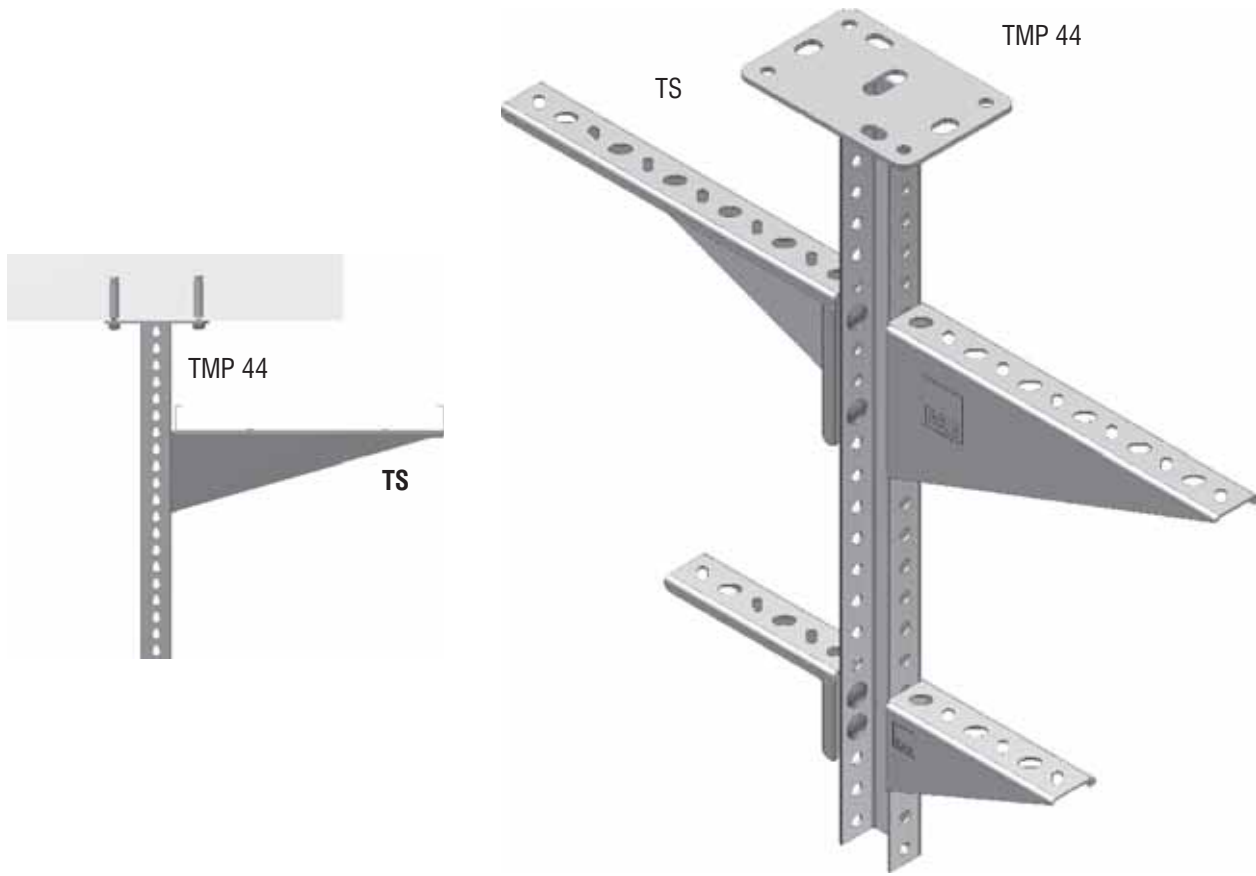
One Sided - Binary	VERTICAL HANGER: TMP 41 / TMP 45 Series			P (kg) PERMITTED MAXIMUM LOAD FOR ONE SIDED LOADING					
	Type	L (mm)	Fz max. (kg)	A (Console Length)					
				100	200	300	400	500	600
	TMP 41	125	500	120	110	100	90	80	70
	TMP 42	250		120	110	100	90	80	70
	TMP 43	500		120	110	100	90	80	70
	TMP 44	1000		110	100	90	75	60	50
	TMP 45	2000		70	60	50	40	35	30

Double Sided - Binary	VERTICAL HANGER: TMP 41 / TMP 45 Series			P (kg) PERMITTED MAXIMUM LOAD FOR DOUBLE SIDED LOADING					
	Type	L (mm)	Fz max. (kg)	A (Console Length)					
				100	200	300	400	500	600
	TMP 41	125	500	125	125	125	125	125	125
	TMP 42	250		125	125	125	125	125	
	TMP 43	500		125	125	125	125	125	
	TMP 44	1000		125	125	125	125	125	
	TMP 45	2000		125	125	125	125	125	

■ Please indicate order code in your orders.

■ Please contact us for special size.

■ Material weights may vary by ± 10%



One Sided - Single	VERTICAL HANGER: TMP 41 / TMP 45 Series			P (kg) PERMITTED MAXIMUM LOAD FOR ONE SIDED LOADING				
	Type	L (mm)	Fz max. (kg)	A (Console Length)				
				100-250	300	400	500	600
	TMP 41	125	500	90	100	80	70	60
	TMP 42	250		90	100	80	70	60
	TMP 43	500		90	100	80	70	60
	TMP 44	1000		90	100	80	70	60
	TMP 45	2000		90	100	80	70	60

Double Sided - Single	VERTICAL HANGER: TMP 41 / TMP 45 Series			P (kg) PERMITTED MAXIMUM LOAD FOR DOUBLE SIDED LOADING				
	Type	L (mm)	Fz max. (kg)	A (Console Length)				
				100-250	300	400	500	600
	TMP 41	125	500	90	100	80	70	60
	TMP 42	250		90	100	80	70	60
	TMP 43	500		90	100	80	70	60
	TMP 44	1000		90	100	80	70	60
	TMP 45	2000		90	100	80	70	60

One Sided - Binary	VERTICAL HANGER: TMP 41 / TMP 45 Series			P (kg) PERMITTED MAXIMUM LOAD FOR ONE SIDED LOADING				
	Type	L (mm)	Fz max. (kg)	A (Console Length)				
				100-250	300	400	500	600
	TMP 41	125	500	90	100	70	70	60
	TMP 42	250		90	100	70	70	60
	TMP 43	500		90	100	70	70	60
	TMP 44	1000		90	90	70	60	50
	TMP 45	2000		80	60	50	40	30

Double Sided - Binary	VERTICAL HANGER: TMP 41 / TMP 45 Series			P (kg) PERMITTED MAXIMUM LOAD FOR DOUBLE SIDED LOADING				
	Type	L (mm)	Fz max. (kg)	A (Console Length)				
				100-250	300	400	500	600
	TMP 41	125	500	90	100	80	70	60
	TMP 42	250		90	100	80	70	60
	TMP 43	500		90	100	80	70	60
	TMP 44	1000		90	100	80	70	60
	TMP 45	2000		90	100	80	70	60

■ Please indicate order code in your orders.

■ Please contact us for special size.

■ Material weights may vary by $\pm 10\%$

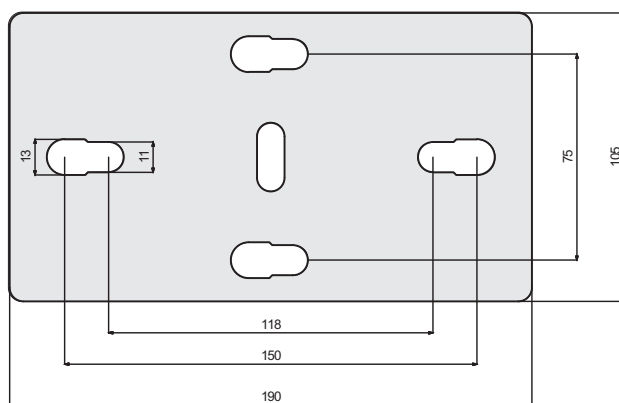
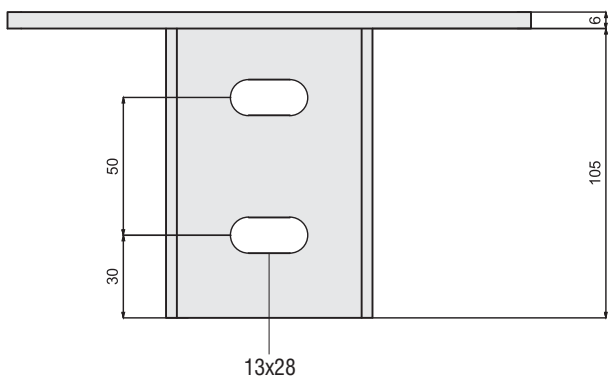
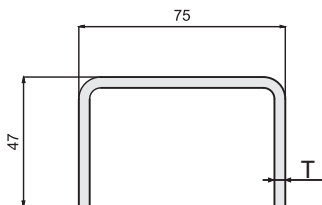
▶▶ CEILING FIXING ELEMENT

Hot Dip Galvanized After Fabrication (TS EN ISO 1461)

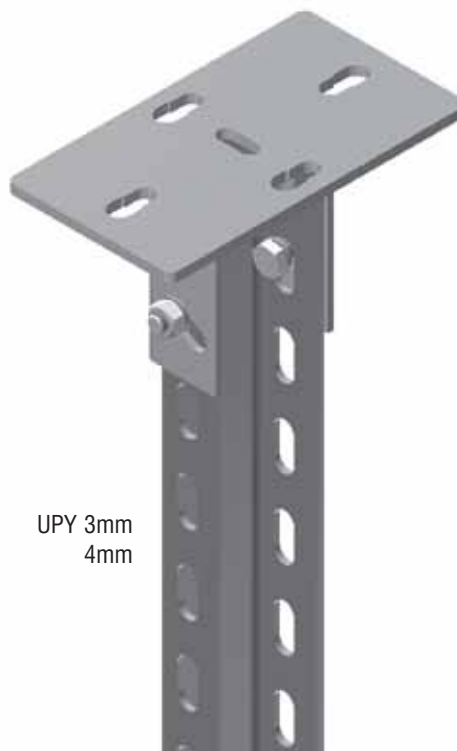
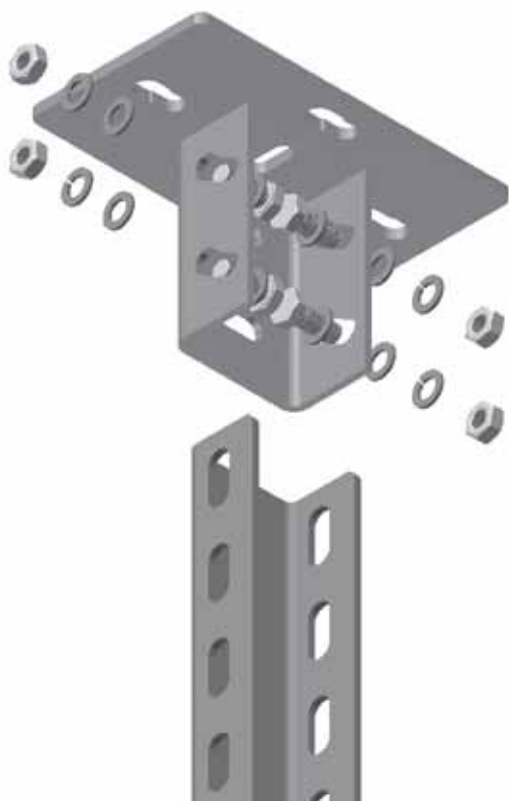
Description	T (mm)	Tensile Load (kg)	Weight (kg./pc)	Order Code	Pack (pc.)
TMP 2	4	900	1,454	3086553	10



TMP 2



TMP 2 Fixing Element Mounting;
4 Units of M10x30 Bolts,
8 Units of M10 Washers,
4 Units of M10 Spring Washers and
4 Units of M10 Nuts should be used.



UPY 3mm
4mm

■ Please indicate order code in your orders.

■ Please contact us for special size.

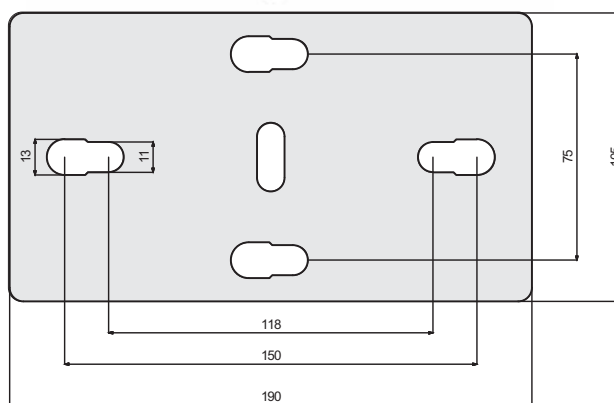
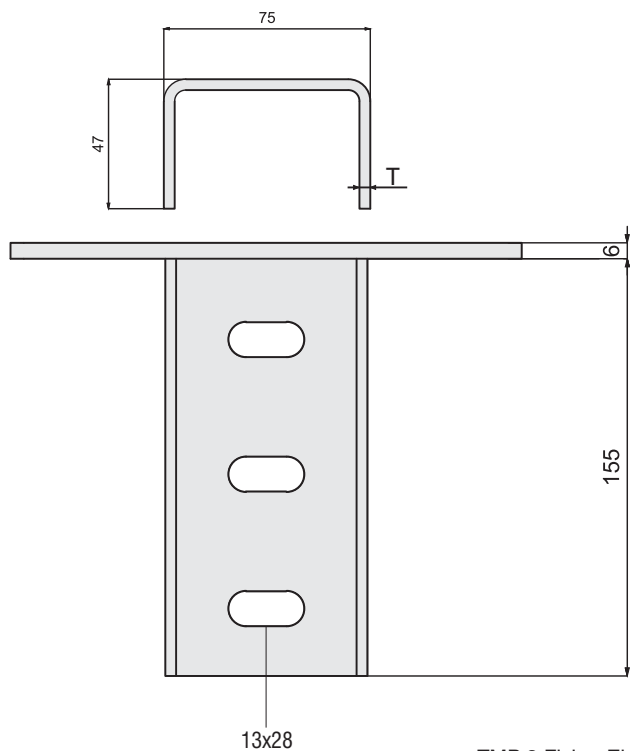
■ Material weights may vary by $\pm 10\%$

▶▶ CEILING FIXING ELEMENT

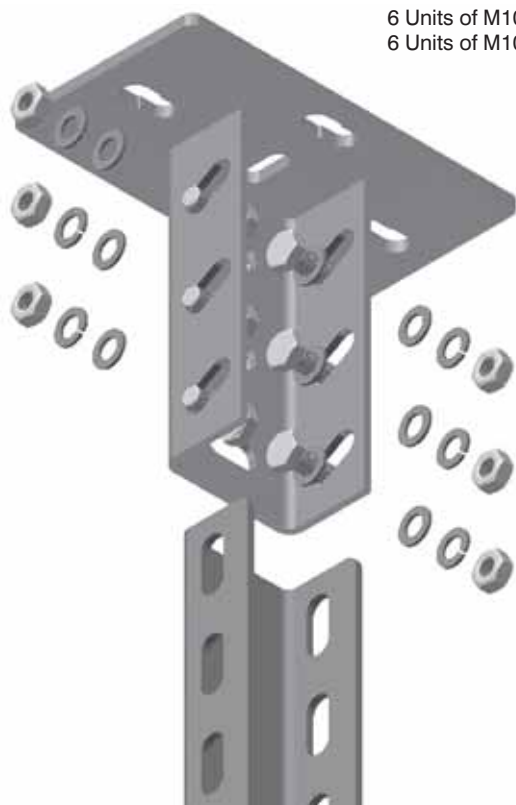
Hot Dip Galvanized After Fabrication (TS EN ISO 1461)

Description	T (mm)	Tensile Load (kg)	Weight (kg./pc)	Order Code	Pack (pc.)
TMP 3	4	900	1,689	3086554	10

TMP 3



TMP 3 Fixing Element Mounting;
6 Units of M10x30 Bolts,
12 Units of M10 Washers,
6 Units of M10 Spring Washers and
6 Units of M10 Nuts should be used.



■ Please indicate order code in your orders.

■ Please contact us for special size.

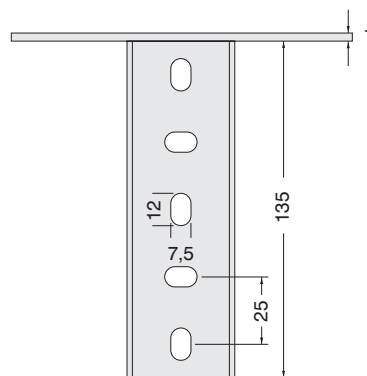
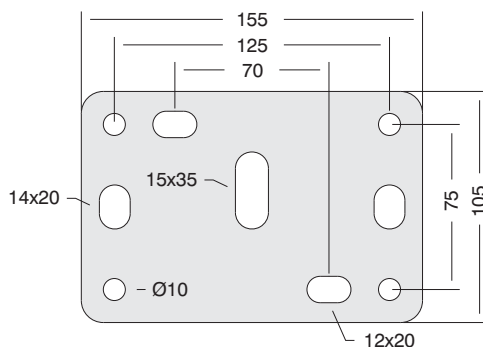
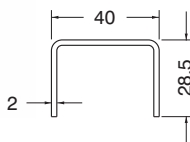
■ Material weights may vary by $\pm 10\%$

▶▶ CEILING MOUNTING FITTINGS

Hot Dip Galvanized After Fabrication (TS EN ISO 1461)

Description	T (mm)	Tensile Load (kg)	Weight (kg./pc)	Order Code	Pack (pc.)
TMP 8 Ceiling Support Unit	4	500	0,688	3008382	10

TMP 8

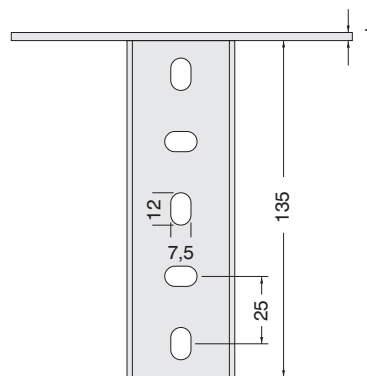
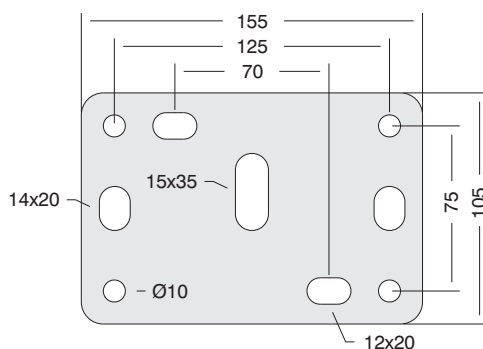
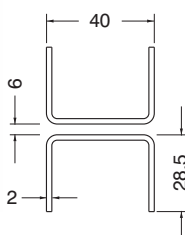


▶▶ CEILING MOUNTING FITTINGS

Hot Dip Galvanized After Fabrication (TS EN ISO 1461)

Description	T (mm)	Tensile Load (kg)	Weight (kg./pc)	Order Code	Pack (pc.)
TMP 9 Ceiling Support Unit	4	500	0,877	3008383	10

TMP 9



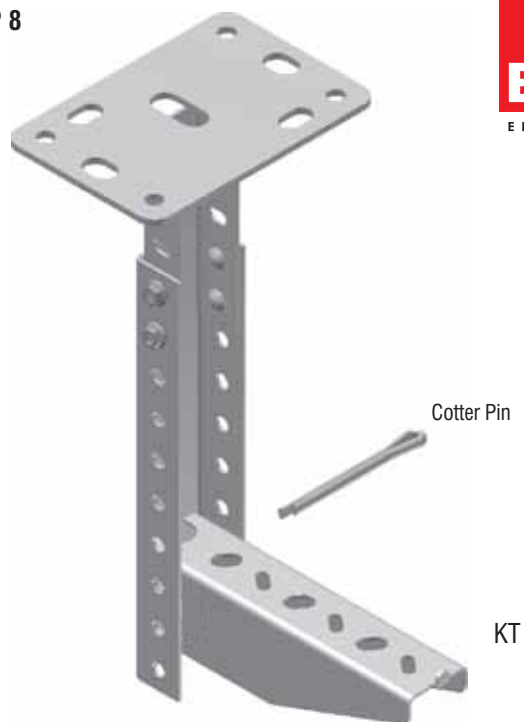
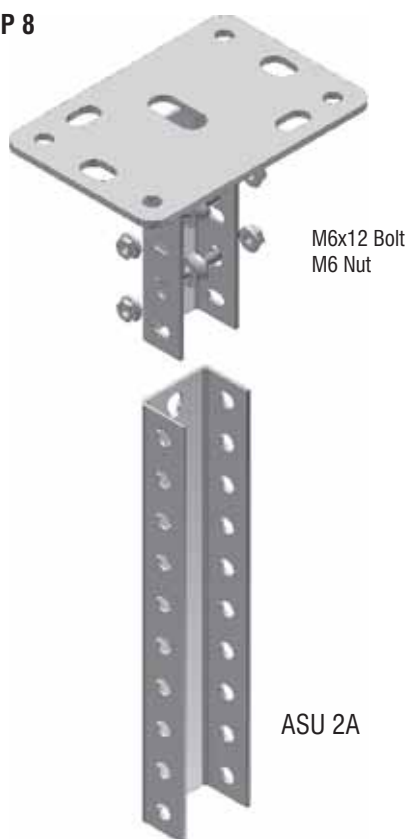
■ Please indicate order code in your orders.

■ Please contact us for special size.

■ Material weights may vary by ± 10%

TMP 8

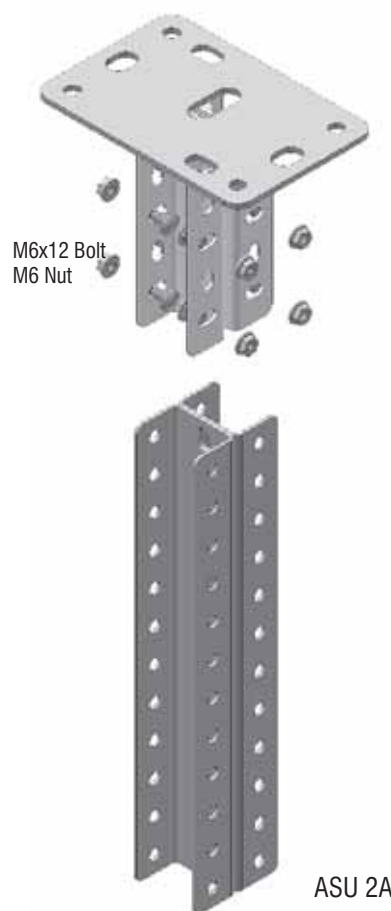
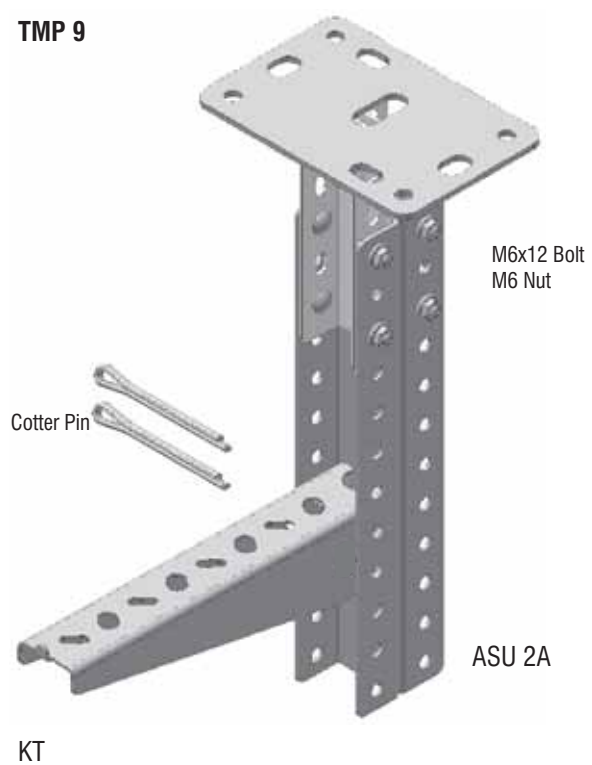
TMP 8



ASU 2A

TMP 9

TMP 9



■ Please indicate order code in your orders.

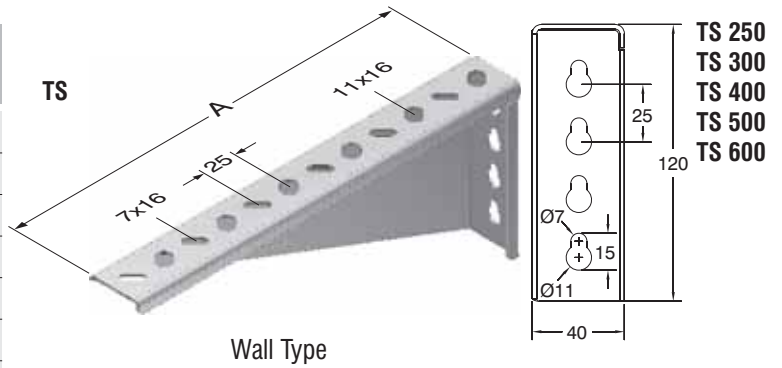
■ Please contact us for special size.

■ Material weights may vary by $\pm 10\%$

▶▶ TRAY SUPPORTS

Pre-galvanized (TS EN 10346 - TS EN 10143)

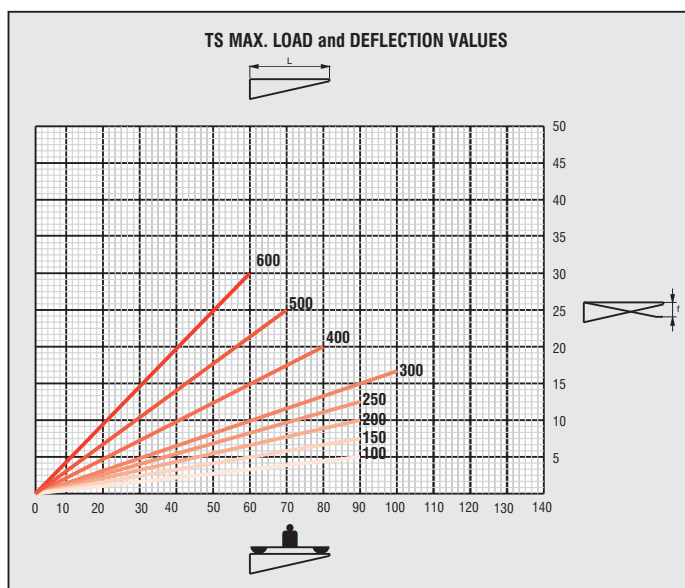
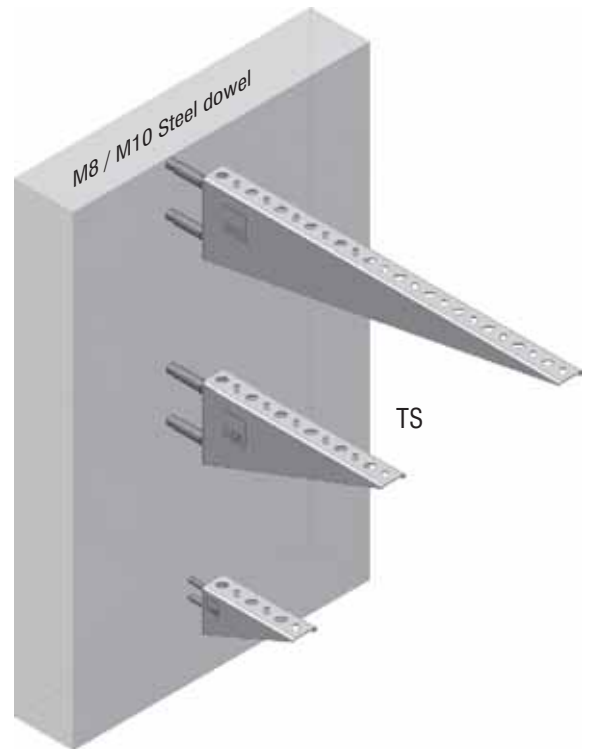
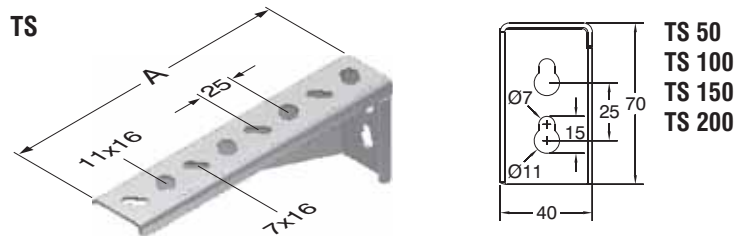
Description	A (mm)	T (mm)	Weight (kg./pc)	Order Code	Pack (pc.)
TS 050	55	2	0,107	3008556	20
TS 100	105	2	0,165	3008554	20
TS 150	155	2	0,224	3008552	20
TS 200	205	2	0,283	3008550	10
TS 250	255	2	0,474	3008548	10
TS 300	305	2	0,552	3008546	10
TS 400	405	2	0,710	3008544	10
TS 500	505	2	0,868	3008542	10
TS 600	605	2	1,025	3005827	10



▶▶ TRAY SUPPORTS

Hot Dip Galvanized After Fabrication (TS EN ISO 1461)

Description	A (mm)	T (mm)	Weight (kg./pc)	Order Code	Pack (pc.)
TS 050	55	2	0,118	3008557	20
TS 100	105	2	0,182	3008555	20
TS 150	155	2	0,246	3008553	20
TS 200	205	2	0,311	3008551	10
TS 250	255	2	0,521	3008549	10
TS 300	305	2	0,607	3008547	10
TS 400	405	2	0,781	3008545	10
TS 500	505	2	0,955	3008543	10
TS 600	605	2	1,128	3005828	10



	Max. load value allowed in kg
	Console length (mm)
	Under the console load allowed, the bending (mm) at the end of the hanger support

Load values in tables have been defined on the basis of the TS EN 61537 standard.

■ Please indicate order code in your orders.

■ Please contact us for special size.

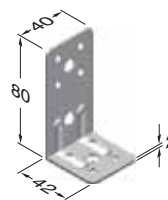
■ Material weights may vary by $\pm 10\%$

►► CONNECTION PARTS

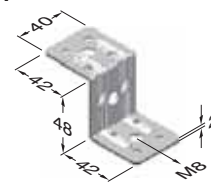
Pre galvanized (TS EN 10346 - TS EN 10143)

Description	Weight (kg./pc)	Order Code	Pack (pc.)
BRA2 "T" Fixing Fitting	0,074	3008265	20
BRA7 "T" Ceiling Connection Part	0,076	3008324	20

BRA 2



BRA 7

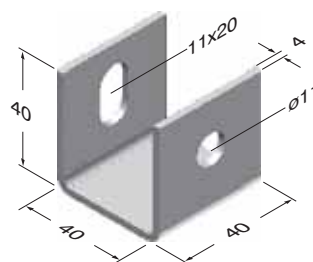


►► CEILING MOUNTING FITTINGS

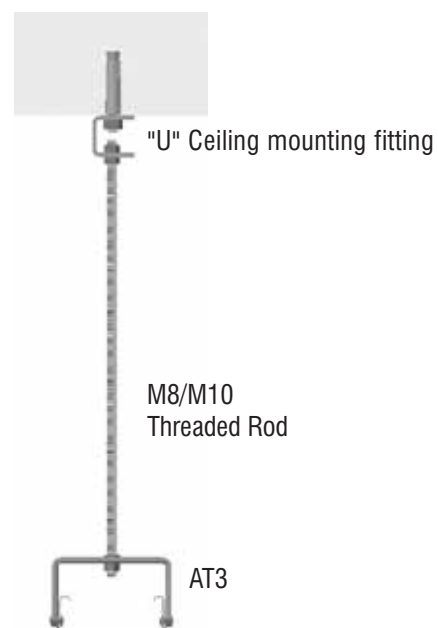
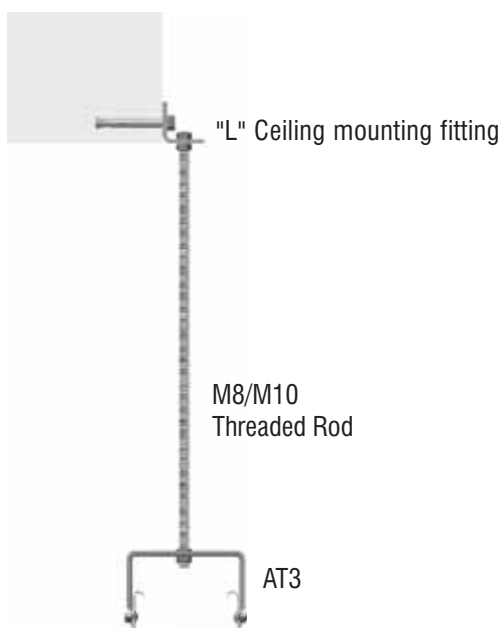
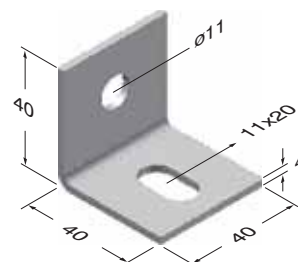
Alkali Zinc

Description	Capacity (kg)	Weight (kg./pc)	Order Code	Pack (pc.)
"U" Ceiling Mounting Fitting	250	0,135	3000001	20
"L" Ceiling Mounting Fitting	250	0,091	3000000	40

"U" Ceiling mounting fitting



"L" Ceiling mounting fitting



■ Please indicate order code in your orders.

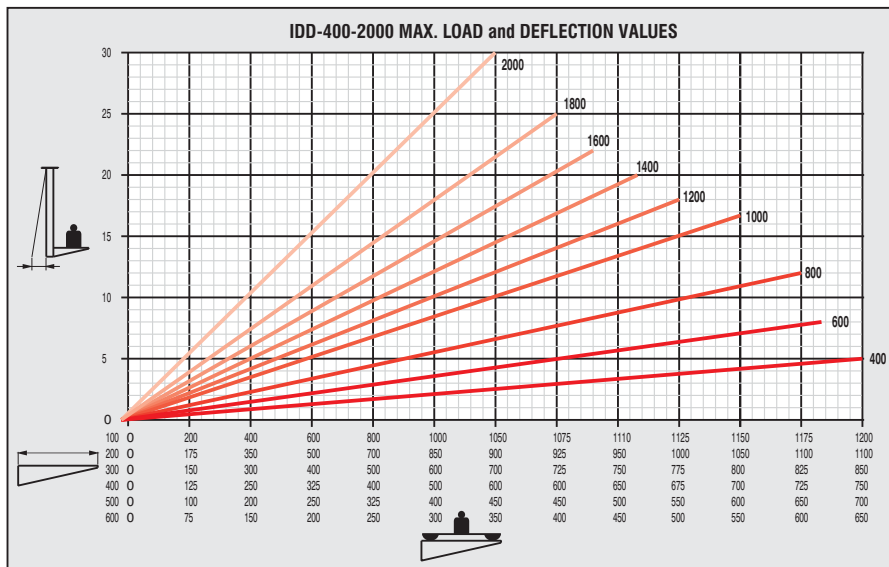
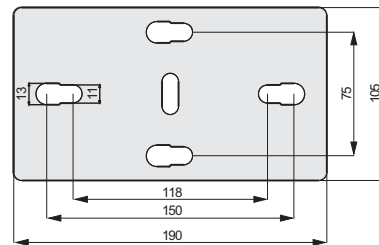
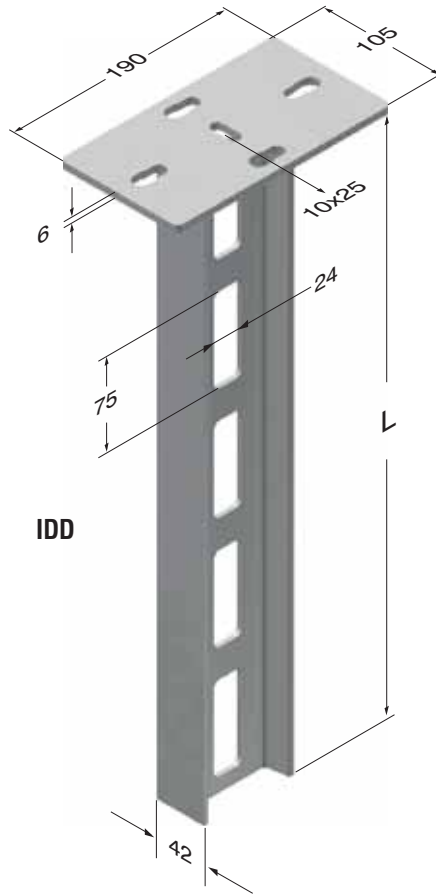
■ Please contact us for special size.

■ Material weights may vary by $\pm 10\%$

HEAVY DUTY SUPPORTS (I)

Hot Dip Galvanized (TS EN ISO 1461)

Description	L (mm)	Pulling Load (kg.)	Weight (kg./pc)	Order Code
IDD 300	300	1200	2,650	3008314
IDD 400	400	1200	3,050	3008313
IDD 500	500	1200	3,550	3008312
IDD 600	600	1200	4,250	3008311
IDD 700	700	1200	4,650	3008310
IDD 800	800	1200	5,150	3008309
IDD 900	900	1200	5,650	3008308
IDD 1000	1000	1200	6,250	3008307
IDD 1100	1100	1200	6,650	3008306
IDD 1200	1200	1200	7,150	3008305
IDD 1300	1300	1200	7,850	3008304
IDD 1400	1400	1200	8,250	3008303
IDD 1500	1500	1200	8,850	3008302
IDD 1600	1600	1200	9,450	3008301
IDD 1700	1700	1200	9,850	3008300
IDD 1800	1800	1200	10,350	3008299
IDD 1900	1900	1200	10,850	3008298
IDD 2000	2000	1200	11,450	3008297
IDD 3000	3000	1200	16,650	3030392



	Max. load value allowed in kg
	Console length (mm)
	Hanger support distances as indicated in our product Standard
	Under the console load allowed, the bending (mm) at the end of the hanger support

Load values in Tables have been defined on the basis of the TS EN 61537 Standard.

■ Please indicate order code in your orders.

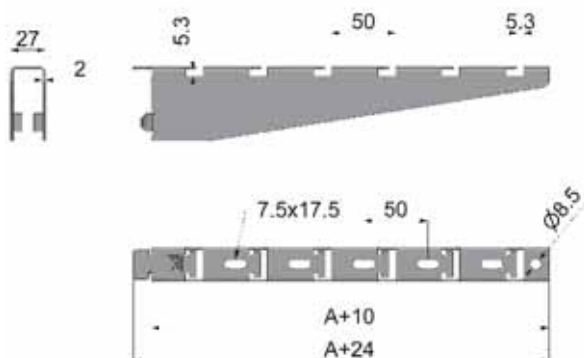
■ Please contact us for special size.

■ Material weights may vary by ± 10%

▶▶ KTK CANTILEVER SUPPORTS

Pre-galvanized (TS EN 10346 - TS EN 10143)

Description	A (mm)	T (mm)	F max (kg)	Weight (kg./pc)	Order Code
KTK 100	100	2	110	0,126	3004612
KTK 200	200	2	110	0,272	3004613
KTK 300	300	2	110	0,434	3004614
KTK 400	400	2	110	0,632	3004615

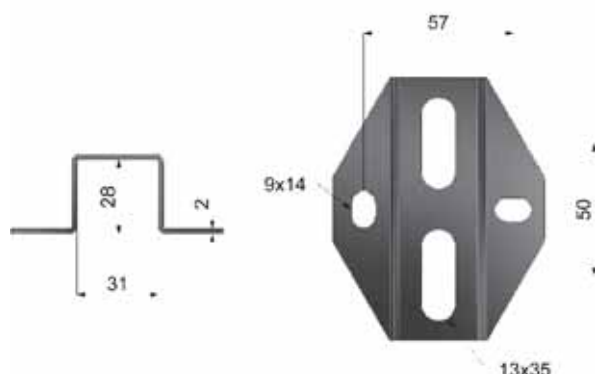


▶▶ KTK OMEGA BRACKET

Pre-galvanized (TS EN 10346 - TS EN 10143)

Description	T (mm)	Weight (kg./pc)	Order Code
KTK OMEGA BRACKET	2	0,167	3102911

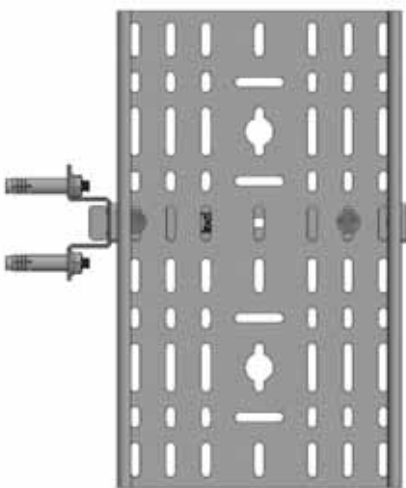
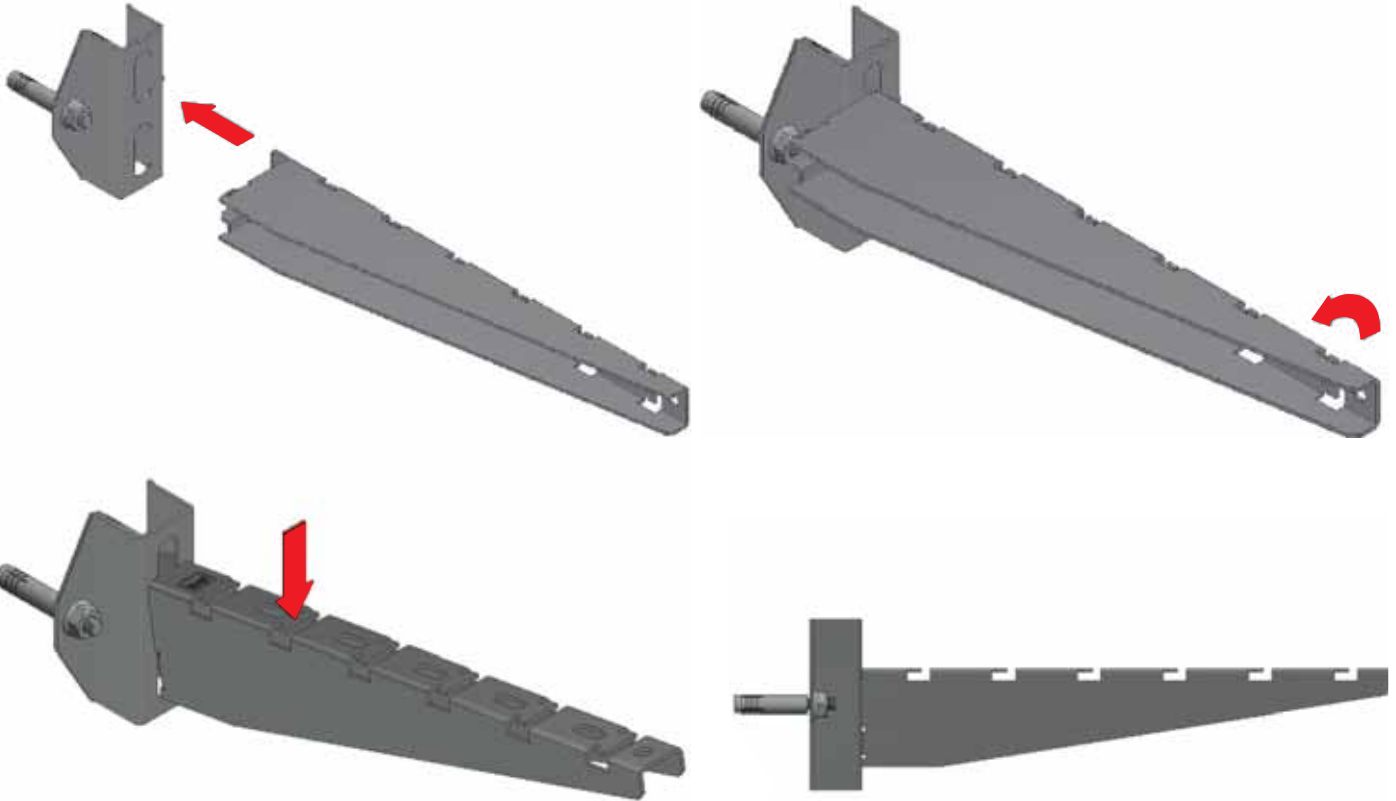
* Please order 2 units of M8 dowel separately.



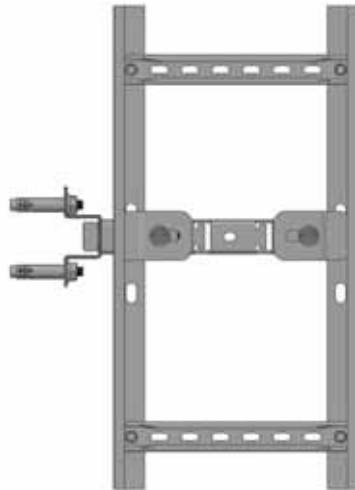
■ Please indicate order code in your orders.

■ Please contact us for special size.

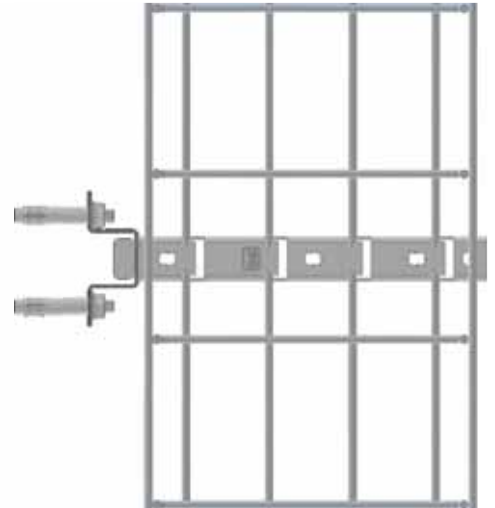
■ Material weights may vary by $\pm 10\%$



For fixing Cable tray to the KTK Supports;
2 Units of M6x12mm Bolts,
2 Units of M6 Nuts should be used.



For fixing Cable ladder to the KTK Supports;
2 Units of M6x12mm Bolts,
2 Units of M6 Nuts,
2 Units of SE3 should be used.



■ Please indicate order code in your orders.

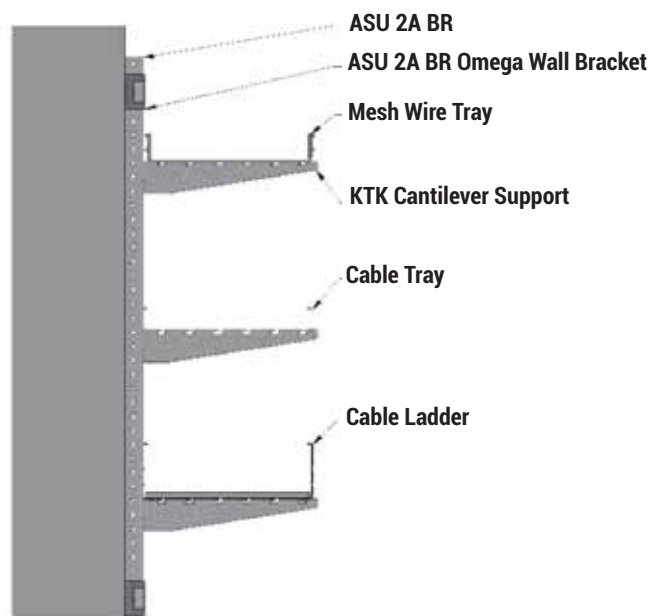
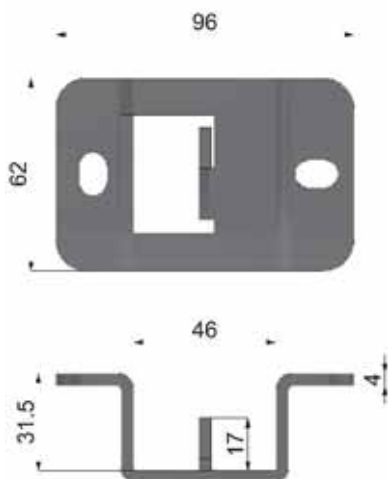
■ Please contact us for special size.

■ Material weights may vary by $\pm 10\%$

▶▶ OMEGA WALL BRACKET

Hot Dip Galvanized After Fabrication (TS EN ISO 1461)

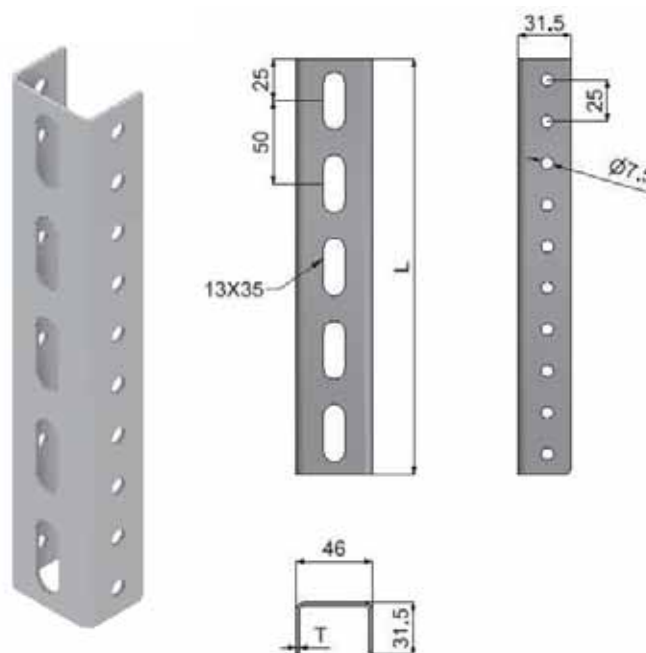
Description	Weight (kg./pc)	Order Code
ASU 2A BR OMEGA WALL BRACKET	0,277	3102914



▶▶ SUPPORT EXTENSION UNITS

Pre-galvanized (TS EN 10346 - TS EN 10143)

Description	L (mm)	T (mm)	Weight (kg./pc)	Order Code
ASU 2A BR - 1	125	2	0,175	3102905
ASU 2A BR - 2	250	2	0,350	3102906
ASU 2A BR - 3	500	2	0,700	3102907
ASU 2A BR - 4	1000	2	1,400	3102908
ASU 2A BR - 5	2000	2	2,800	3102909
ASU 2A BR - 6	3000	2	4,200	3102910



■ Please indicate order code in your orders.

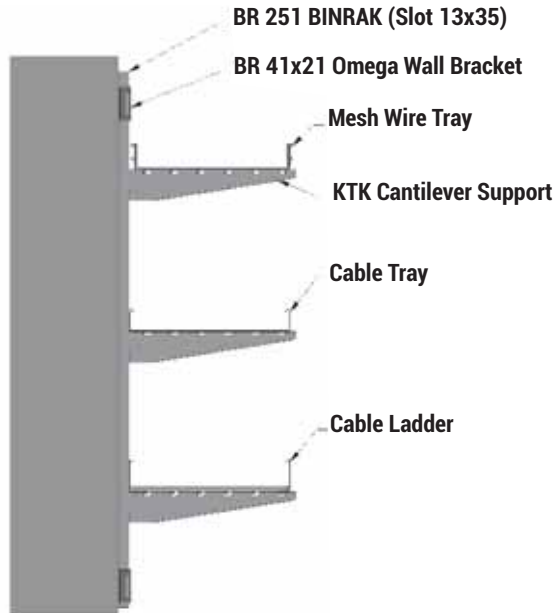
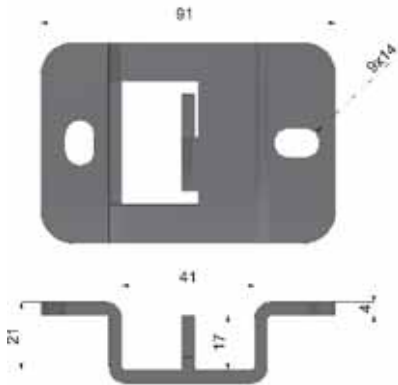
■ Please contact us for special size.

■ Material weights may vary by ± 10%

▶▶ OMEGA WALL BRACKET

Hot Dip Galvanized After Fabrication (TS EN ISO 1461)

Description	Weight (kg./pc)	Order Code
BR 41X21 OMEGA WALL BRACKET	0,239	3102912

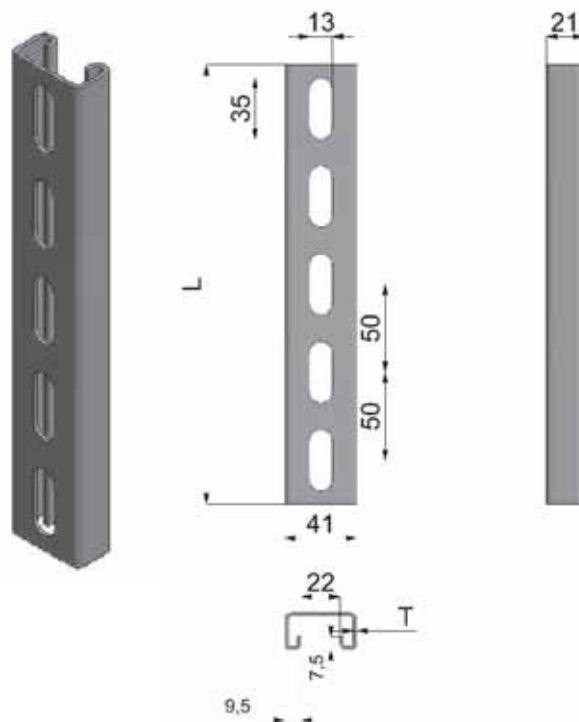


▶▶ BINRAK CHANNEL (41x21mm)

Pre-galvanized (TS EN 10346 - TS EN 10143)

Description	T (mm)	Weight (kg./mt)	Order Code
BR 251 BINRAK (Slot 13x35)	2	1,481	3102915

*Please Indicate L size in your order.



■ Please indicate order code in your orders.

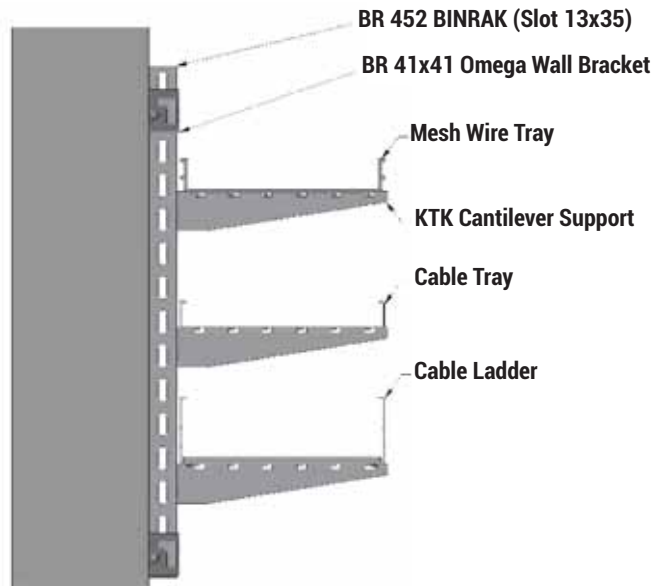
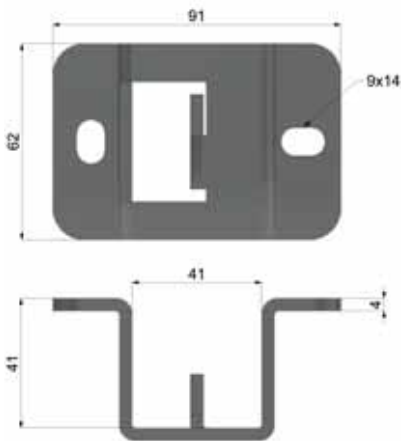
■ Please contact us for special size.

■ Material weights may vary by ± 10%

▶▶ OMEGA WALL BRACKETS

Hot Dip Galvanized After Fabrication (TS EN ISO 1461)

Description	T (mm)	Weight (kg./pc)	Order Code
BR 41X41 OMEGA WALL BRACKET	4	0,298	3102913

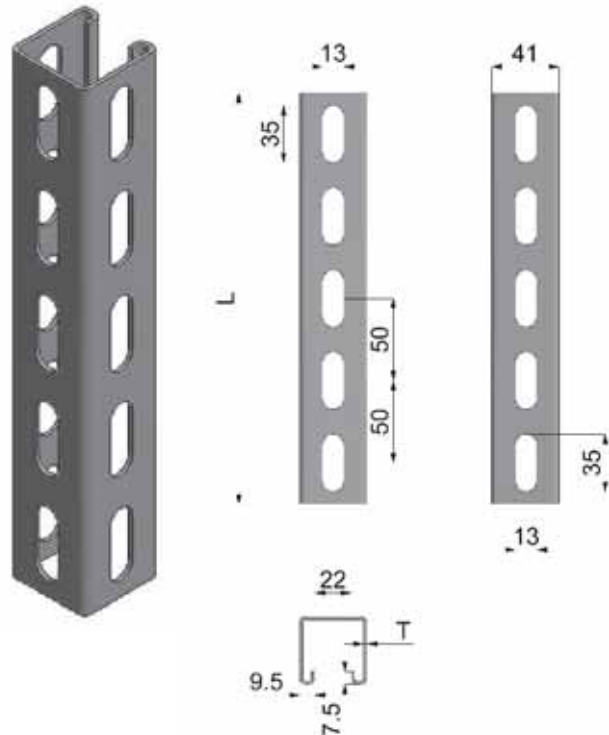


▶▶ BINRAK CHANNEL (41x41mm)

Pre-galvanized (TS EN 10346 - TS EN 10143)

Description	T (mm)	Weight (kg./mt)	Order Code
BR 452 BINRAK (Slot 13x35)	2	1,781	3102915

*Please Indicate L size in your order.

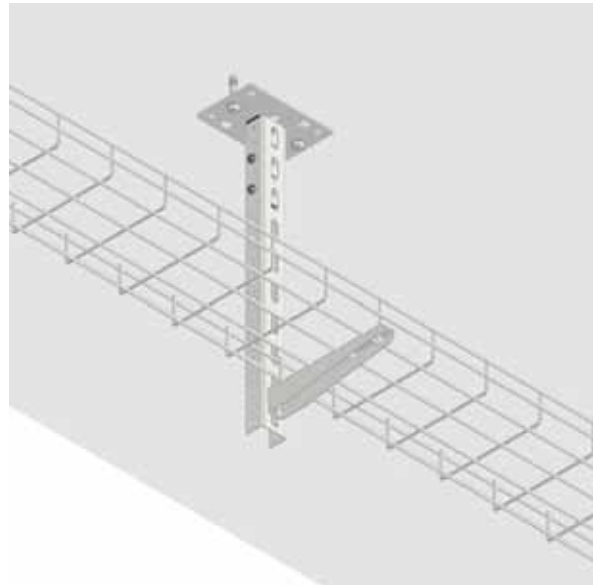
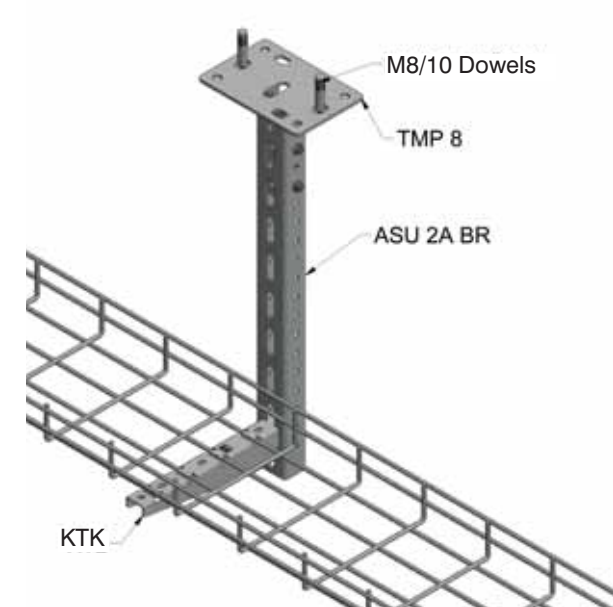
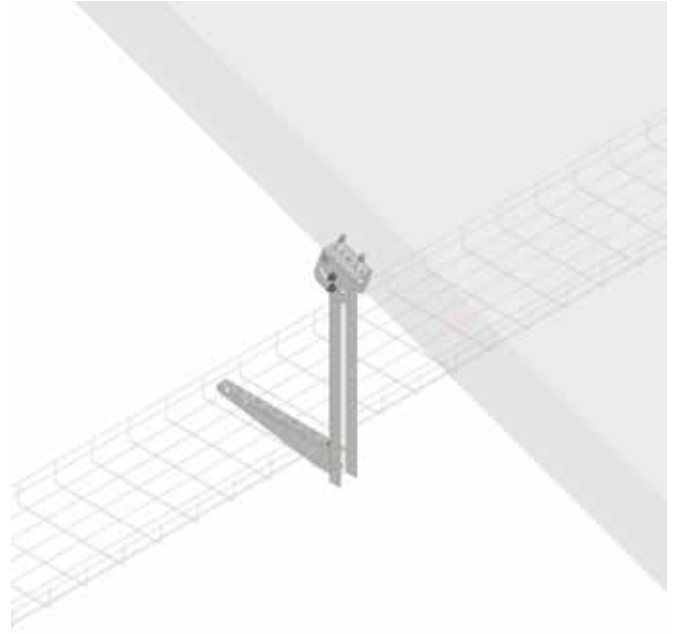
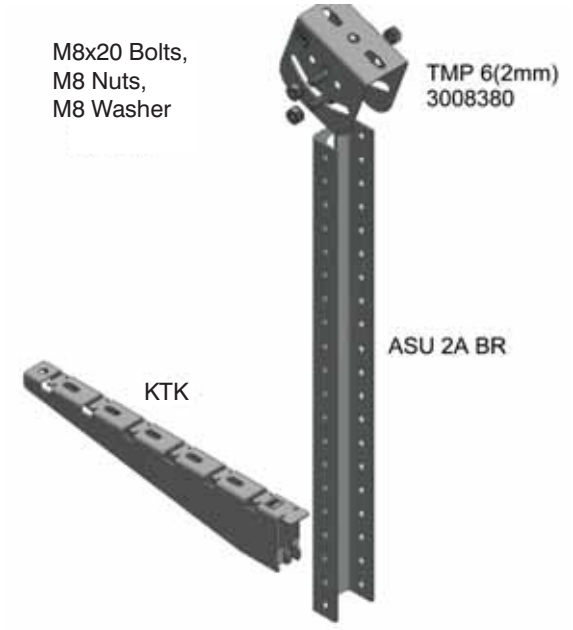


■ Please indicate order code in your orders.

■ Please contact us for special size.

■ Material weights may vary by $\pm 10\%$

►► APPLICATION EXAMPLES

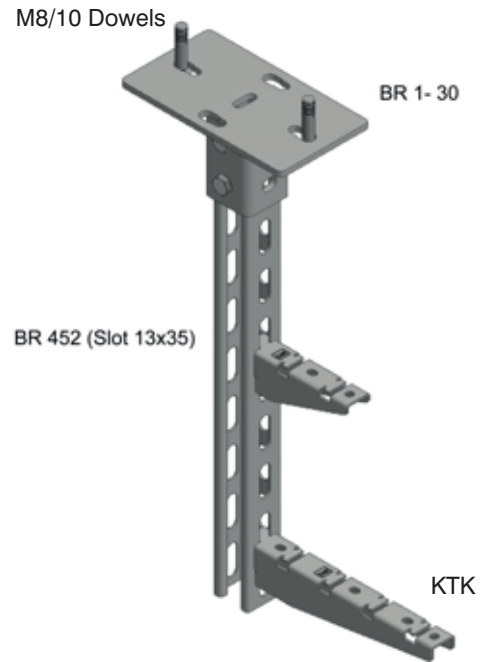
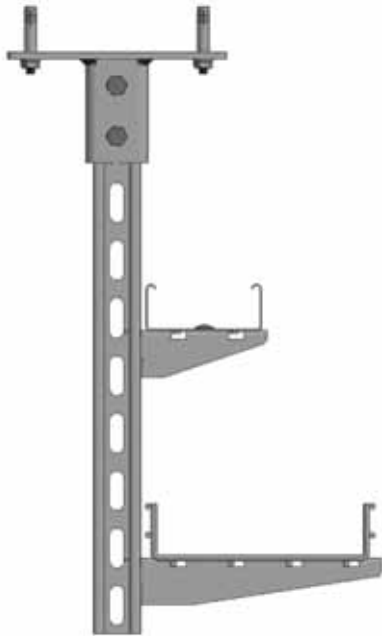


■ Please indicate order code in your orders.

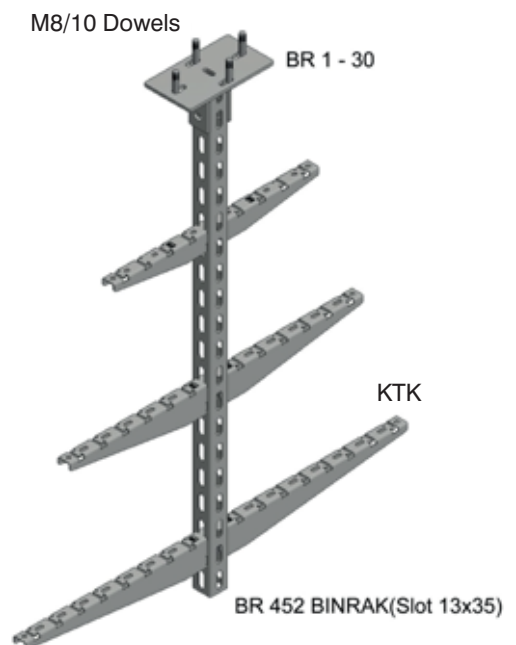
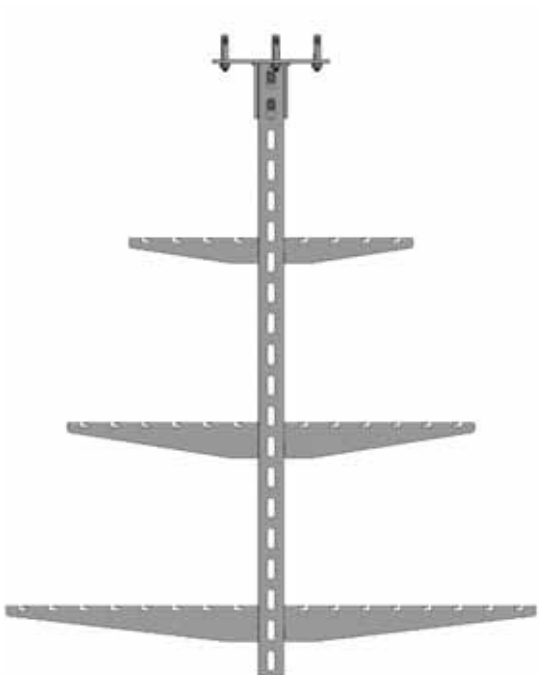
■ Please contact us for special size.

■ Material weights may vary by $\pm 10\%$

▶▶ APPLICATION EXAMPLES
 ▶ ONE SIDE USING EXAMPLE



▶ TWO SIDE USING EXAMPLE



■ Please indicate order code in your orders.
 ■ Please contact us for special size.

■ Material weights may vary by $\pm 10\%$

IDD HANDEK CARRIAGE VALUES

Single-Sided 1 Row	IDD VERTICAL HANGER			P (kg) MAXIMUM LOAD ALLOWED IN SINGLE-SIDED LOADING CONDITION					
	Type	L (mm)	Fz max. (kg)	A (Console Length)					
				100	200	300	400	500	600
	IDD 500	500	1200	1200	1100	850	750	700	650
	IDD 1000	1000		1150	1050	800	700	600	550
	IDD 1500	1500		1100	950	750	650	500	450
	IDD 2000	2000		1050	900	700	600	450	350

Double-Sided 1 Row	IDD VERTICAL HANGER			P (kg) MAXIMUM LOAD ALLOWED IN DOUBLE-SIDED LOADING CONDITION					
	Type	L (mm)	Fz max. (kg)	A (Console Length)					
				100	200	300	400	500	600
	IDD 500	500	1200	600	600	600	600	600	600
	IDD 1000	1000		600	600	600	600	600	600
	IDD 1500	1500		600	600	600	600	600	600
	IDD 2000	2000		600	600	600	600	600	600

Single-Sided 2 Row	IDD VERTICAL HANGER			P (kg) MAXIMUM LOAD ALLOWED IN SINGLE-SIDED LOADING CONDITION					
	Type	L (mm)	Fz max. (kg)	A (Console Length)					
				100	200	300	400	500	600
	IDD 500	500	1200	600	550	425	375	350	325
	IDD 1000	1000		575	525	400	350	300	275
	IDD 1500	1500		550	475	375	325	250	225
	IDD 2000	2000		525	450	350	300	225	175

Double-Sided 2 Row	IDD VERTICAL HANGER			P (kg) MAXIMUM LOAD ALLOWED IN DOUBLE-SIDED LOADING CONDITION					
	Type	L (mm)	Fz max. (kg)	A (Console Length)					
				100	200	300	400	500	600
	IDD 500	500	1200	300	300	300	300	300	300
	IDD 1000	1000		300	300	300	300	300	300
	IDD 1500	1500		300	300	300	300	300	300
	IDD 2000	2000		300	300	300	300	300	300

Single-Sided 3 Row	IDD VERTICAL HANGER			P (kg) MAXIMUM LOAD ALLOWED IN SINGLE-SIDED LOADING CONDITION					
	Type	L (mm)	Fz max. (kg)	A (Console Length)					
				100	200	300	400	500	600
	IDD 500	500	1200	400	360	280	250	230	215
	IDD 1000	1000		380	350	265	230	200	180
	IDD 1500	1500		360	315	250	215	165	150
	IDD 2000	2000		350	300	230	200	150	115

Double-Sided 3 Row	IDD VERTICAL HANGER			P (kg) MAXIMUM LOAD ALLOWED IN DOUBLE-SIDED LOADING CONDITION					
	Type	L (mm)	Fz max. (kg)	A (Console Length)					
				100	200	300	400	500	600
	IDD 500	500	1200	200	200	200	200	200	200
	IDD 1000	1000		200	200	200	200	200	200
	IDD 1500	1500		200	200	200	200	200	200
	IDD 2000	2000		200	200	200	200	200	200

* Table load values are specified on the basis of TS EN 61537 standard.

* Consoles that are compatible with IDD hangers are STK, STK-M and A-STK type consoles. For carriage values of consoles, refer to section A-A, page 36, page 37 and page 38 respectively.



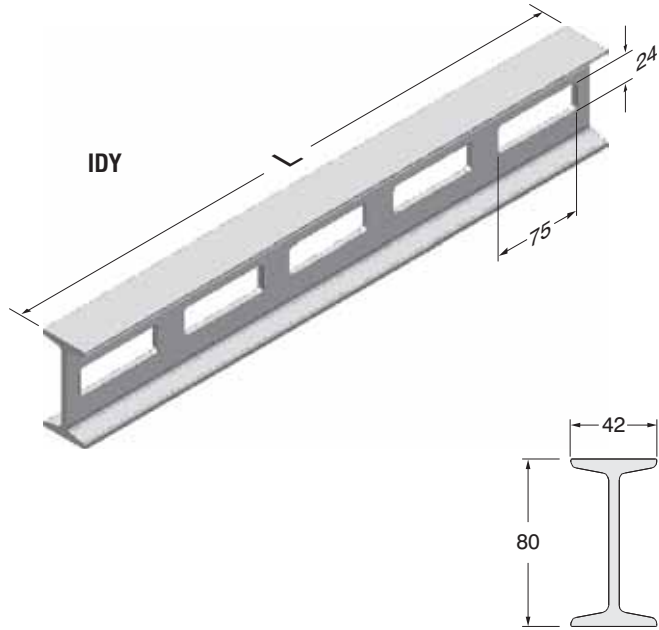
■ Please indicate order code in your orders.

■ Please contact us for special size.

■ Material weights may vary by ± 10%

►► HEAVY DUTY SUPPORTS (I) Hot Dip Galvanized (TS EN ISO 1461)

Description	L (mm)	Weight (kg./pc)	Order Code
IDY 300	300	1,700	3008242
IDY 400	400	2,100	3008290
IDY 500	500	2,600	3008289
IDY 600	600	3,300	3008288
IDY 700	700	3,700	3008287
IDY 800	800	4,200	3008286
IDY 900	900	4,700	3008285
IDY 1000	1000	5,300	3008284
IDY 1100	1100	5,700	3008283
IDY 1200	1200	6,200	3008282
IDY 1300	1300	6,900	3008236
IDY 1400	1400	7,300	3008281
IDY 1500	1500	7,900	3008280
IDY 1600	1600	8,500	3008241
IDY 1700	1700	8,900	3008240
IDY 1800	1800	9,400	3008239
IDY 1900	1900	9,900	3008238
IDY 2000	2000	10,500	3008237
IDY 3000	3000	15,700	3030391

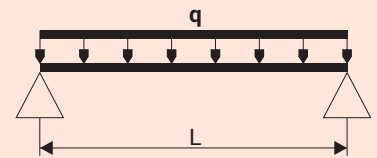


IDY-PROFILE SAFE CARRIAGE CAPACITIES

LOADING DIRECTION



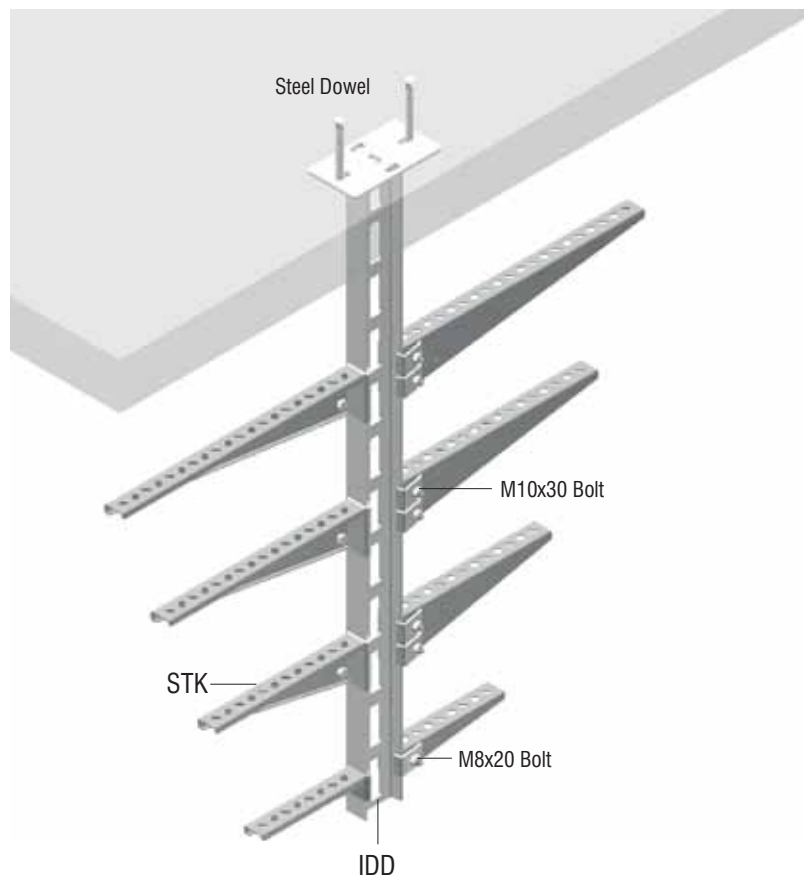
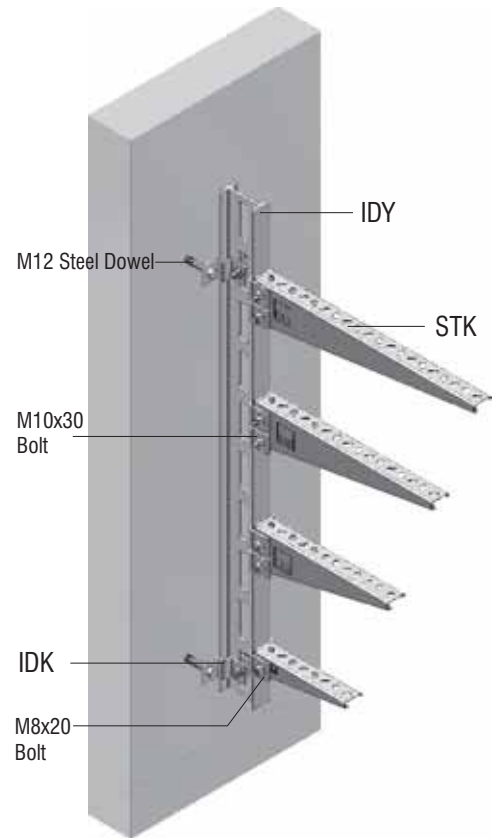
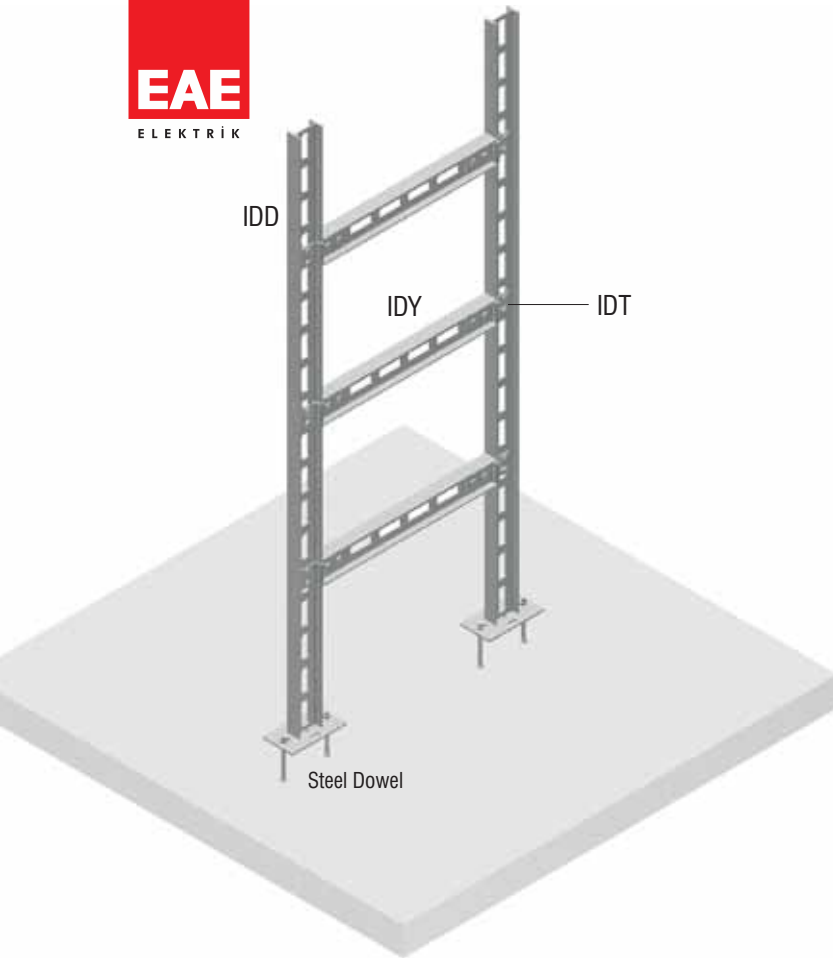
DISTRIBUTED LOAD



L (mm)	Max. Load Allowed q (kg)
500	1200
750	1100
1000	1000
1250	850
1500	700
1750	600
2000	525
2250	475
2500	425
2750	380
3000	350

IDD-IDY H-TYPE HANGER SAFE LOAD VALUES

	VERTICAL HANGER: IDD		HORIZONTAL SUPPORTS: IDY		
	L (mm)	Fz max. (kg)	q (kg)		
			A 300-400-500mm	A 600-700-800mm	A 900-1000-1200mm
1 Row Application	500	1200	1200	1000	900
	1000		1200	1000	900
	1500		1200	1000	900
	2000		1200	1000	900
	2500		1200	1000	900
	3000		1200	1000	900
2 Row Application	500	1200	1200	1000	900
	1000		1200	1000	900
	1500		1200	1000	900
	2000		1200	1000	900
	2500		1200	1000	900
	3000		1200	1000	900
3 Row Application	500	1200	800	800	800
	1000		800	800	800
	1500		800	800	800
	2000		800	800	800
	2500		800	800	800
	3000		800	800	800



■ Please indicate order code in your orders.

■ Please contact us for special size.

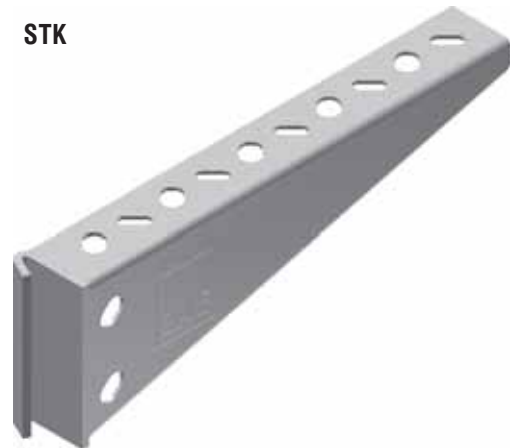
■ Material weights may vary by $\pm 10\%$

▶▶ HEAVY DUTY SUPPORTS

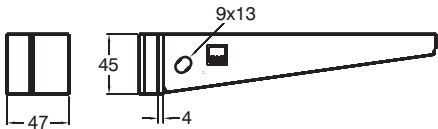
Hot Dip Galvanized (TS EN ISO 1461)

Description	A (mm)	T (mm)	Weight (kg./pc)	Order Code	Pack (set)
STK 100	120	2	0,350	3008198	10
STK 150	170	2	0,417	3008114	10
STK 200	220	2	0,519	3008296	10
STK 250	270	2	0,892	3008295	10
STK 300	320	2	1,044	3008294	10
STK 400	420	2	1,215	3008293	10
STK 500	520	2	1,387	3008292	10
STK 600	620	2	1,557	3008291	10

STK



■ STK Bolt Set will be supplied with the product.

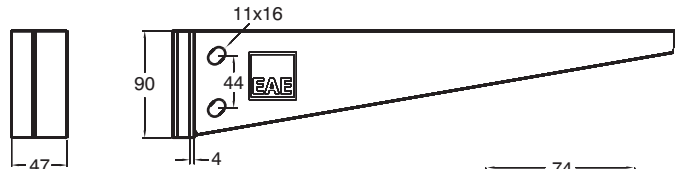


STK Bolt Sets 1

STK Bolts set 1 for 100-150-200

sizes is comprised of

- 1 each M8x20 screw,
- 1 each M8 nut,
- 2 each M8 Shim,
- 1 each Washer and 1 each lug tool.

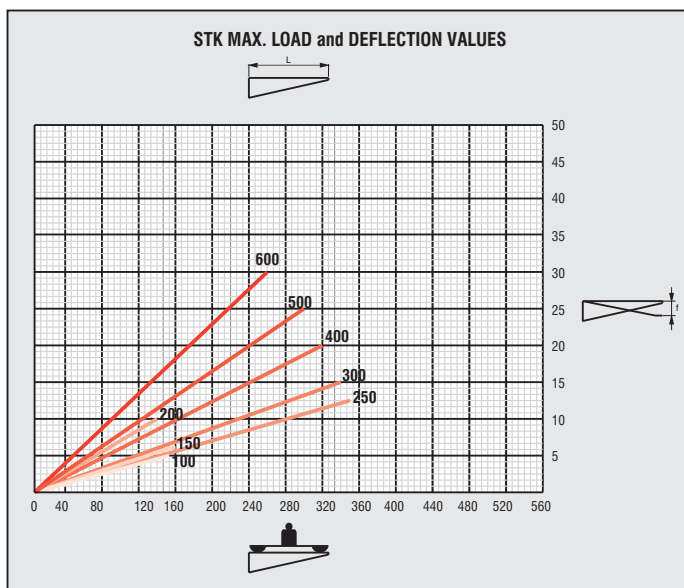
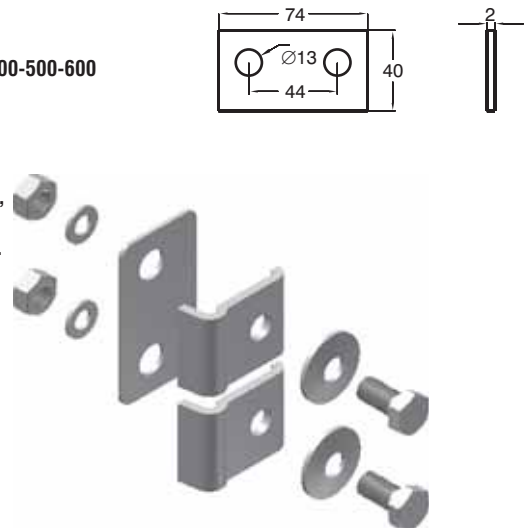


STK Bolt Sets 2

STK Bolts set 2 for 250-300-400-500-600

sizes is comprised of

- 2 each M10x30 Bolts,
- 2 each M10 Nuts,
- 2 each M10 Shim,
- 2 each Belleville washer (M10),
- 1 each custom STK shim and 2 each lug tools.



	Max. load value allowed in kg
	Console length (mm)
	Under the console load allowed, the bending (mm) at the end of the hanger support

Load values in tables have been defined on the basis of the TS EN 61537 standard.

■ Please indicate order code in your orders.

■ Please contact us for special size.

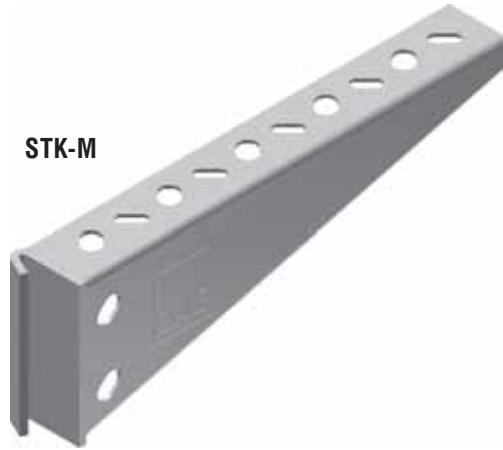
■ Material weights may vary by $\pm 10\%$

HEAVY DUTY SUPPORTS

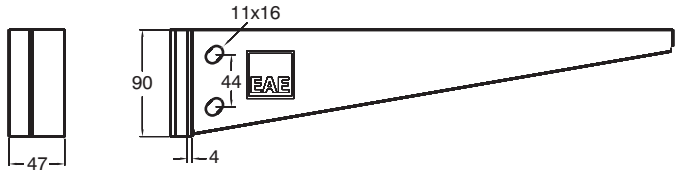
Hot Dip Galvanized (TS EN ISO 1461)

Description	A (mm)	T (mm)	Weight (kg./pc.)	Order Code	Pack (set)
STK-M 250	270	2	1,277	3110215	10
STK-M 300	320	2	1,363	3110216	10
STK-M 400	420	2	1,534	3110217	10
STK-M 500	520	2	1,706	3110218	10
STK-M 600	620	2	1,876	3110219	10

STK-M



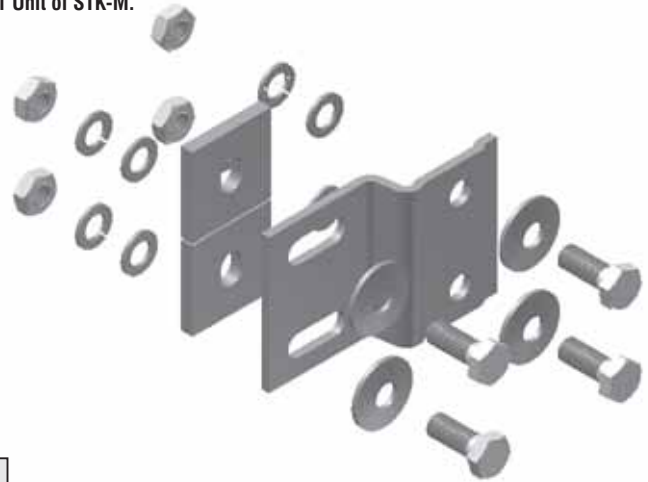
■ STK-M Bolt Set will be supplied with the product.



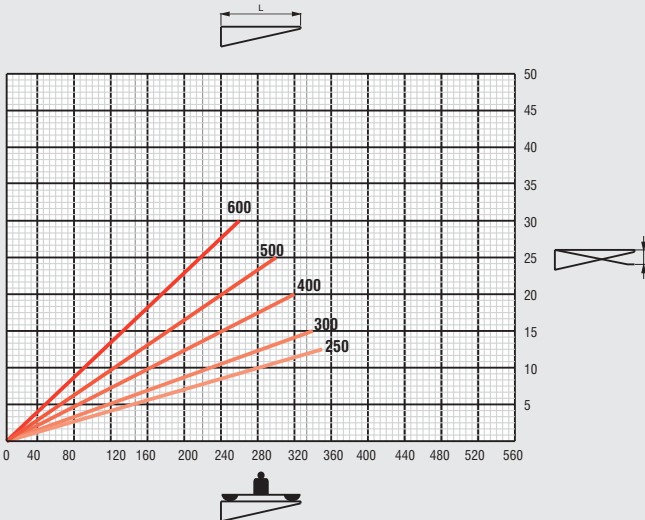
STK-M Bolt Set

Includes:

- 4 Unit of M10x35 Bolts,
- 4 Units of M10 Capsule Washers ,
- 4 Units of M10 Washers,
- 4 Units of Plain Washers,
- 4 Units of M10 Nuts,
- 2 Units of BR1 Square Washer and
- 1 Unit of STK-M.



STK MAX. LOAD and DEFLECTION VALUES



	Max. load value allowed in kg
	Console length (mm)
	Under the console load allowed, the bending (mm) at the end of the hanger support

Load values in tables have been defined on the basis of the TS EN 61537 standard.

■ Please indicate order code in your orders.

■ Please contact us for special size.

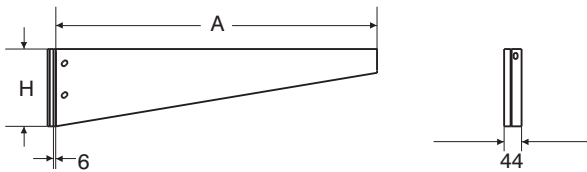
■ Material weights may vary by $\pm 10\%$

▶▶ HEAVY DUTY SUPPORTS

Hot Dip Galvanized (TS EN ISO 1461)

Description	A (mm)	H (mm)	T (mm)	Weight (kg./set)	Order Code
A-STK 200	210	90	3	1,463	3108826
A-STK 300	310	110	3	2,002	3108827
A-STK 400	410	130	3	2,627	3108828
A-STK 500	510	145	3	3,254	3108829
A-STK 600	610	165	3	3,904	3108830
A-STK 700	710	195	3	4,897	3108831
A-STK 800	810	195	3	5,398	3108832
A-STK 900	910	195	3	5,900	3108833
A-STK 1000	1010	195	3	6,401	3108834

■ A-STK Bolt Set will be supplied with the product.



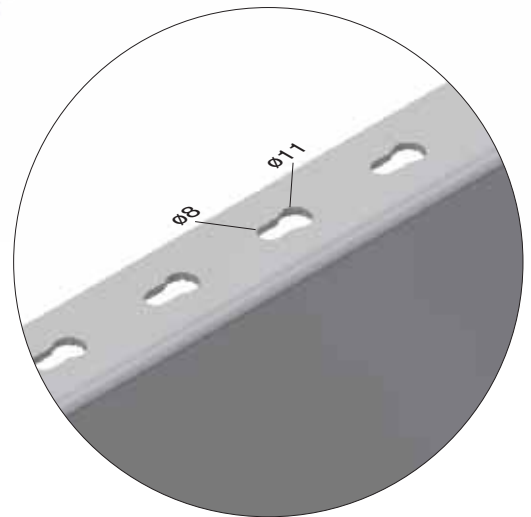
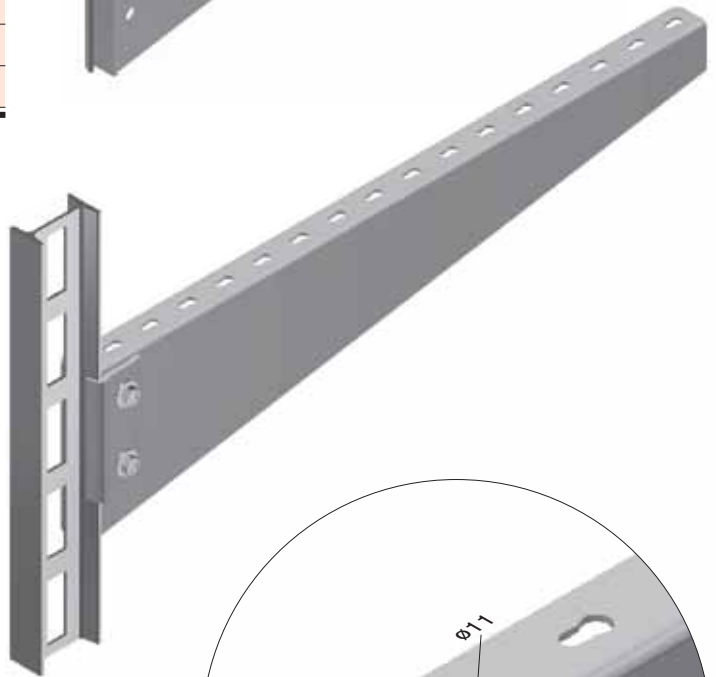
A-STK Bolt Set

Includes:

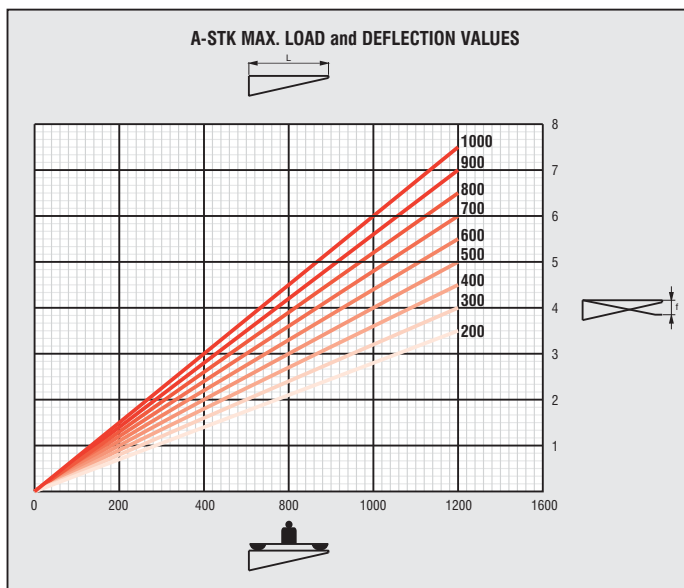
- 2 Unit of M10x30 Bolts,
- 2 Units of M10 Nuts,
- 2 Units of M10 Washers,
- 2 Units of M10 Plain Washers,
- and 1 each lug tool.



A-STK



A-STK MAX. LOAD and DEFLECTION VALUES



	Max. load value allowed in kg
	Console length (mm)
	Under the console load allowed, the bending (mm) at the end of the hanger support

Load values in Tables have been defined on the basis of the TS EN 61537 Standard.

■ Please indicate order code in your orders.

■ Please contact us for special size.

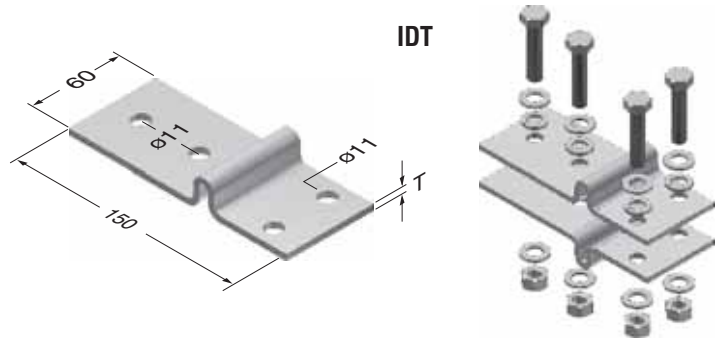
■ Material weights may vary by $\pm 10\%$

►► SUPPORT FITTINGS

Hot Dip Galvanized (TS EN ISO 1461)

Description	T (mm)	Weight (kg./set)	Order Code	Pack (pc.)
IDT Support Fitting Set	4	0,815	3008279	10

Set of IDT consists;
2 IDT support fitting set, 4 M10x30 bolt, 8 M10 washer,
4 M10 spring washer, 4 M10 nut.



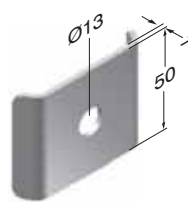
►► SUPPORT FITTINGS

Hot Dip Galvanized (TS EN ISO 1461)

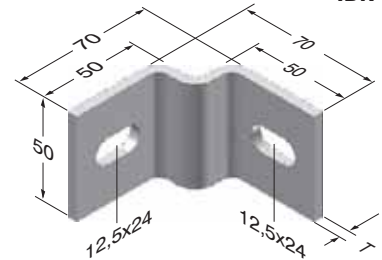
Description	T (mm)	Weight (kg./pc.)	Order Code	Pack (pc.)
IDK Support Fitting	4	0,226	3008278	20
IDK Joint Fitting	2,5	0,081	3006348	-
I-80 I Section Expansion Fitting	2,5	0,312	3008231	20
IDY U Section Expansion Fitting	-	-	1002278	-

■ For installation of I-80 console joint unit;
4 units M10x30 bolt, 4 units M10 nut, 8 units M10 washer
and 4 units Ø10 washer shall be ordered.

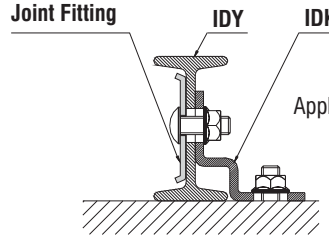
IDK Joint Fitting



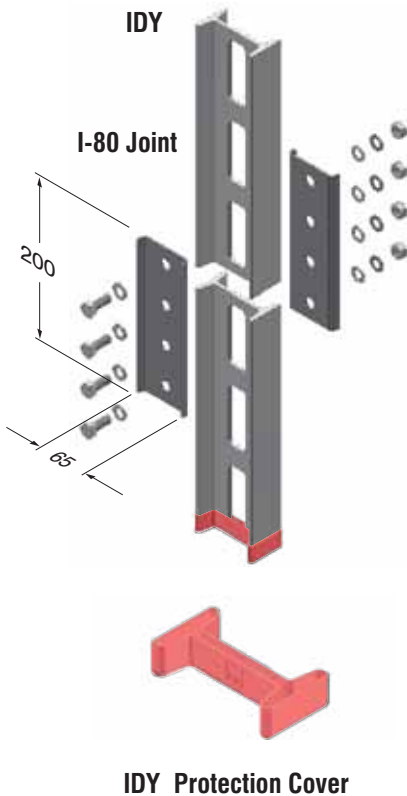
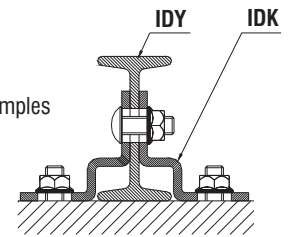
IDK



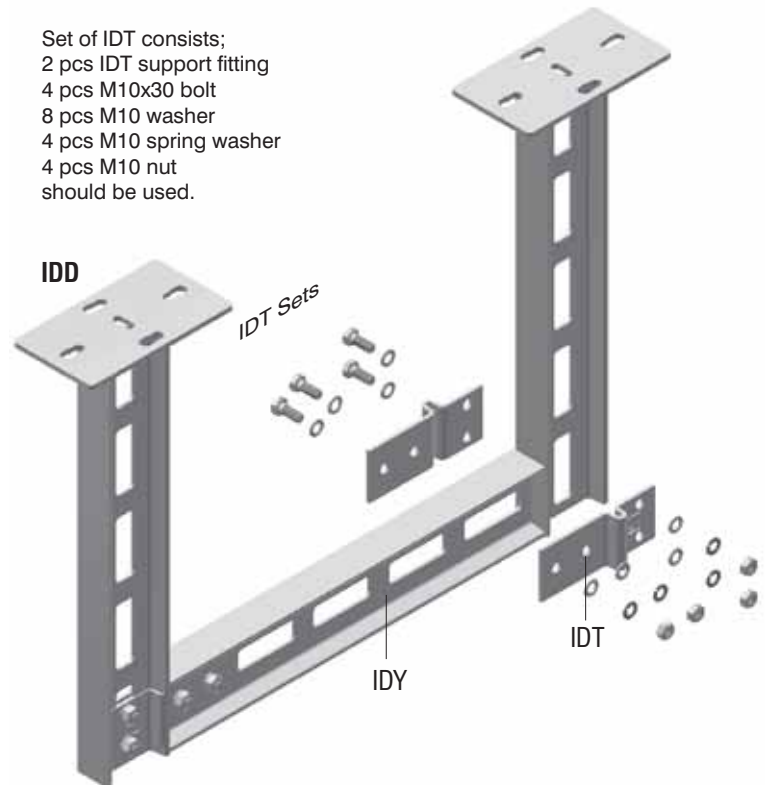
IDK Joint Fitting



Application examples



Set of IDT consists;
2 pcs IDT support fitting
4 pcs M10x30 bolt
8 pcs M10 washer
4 pcs M10 spring washer
4 pcs M10 nut
should be used.



■ Please indicate order code in your orders.

■ Please contact us for special size.

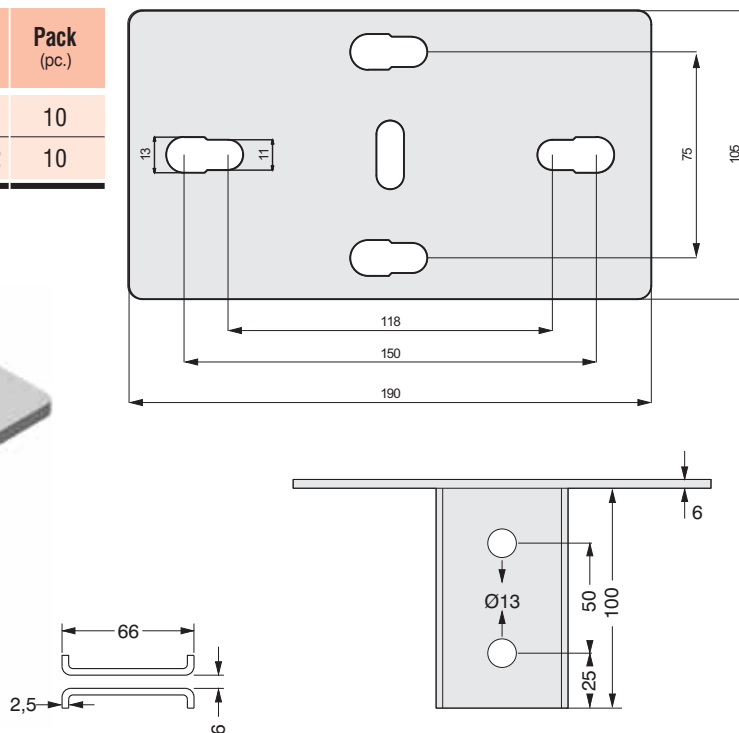
■ Material weights may vary by ± 10%

▶▶ CEILING MOUNTING FITTINGS

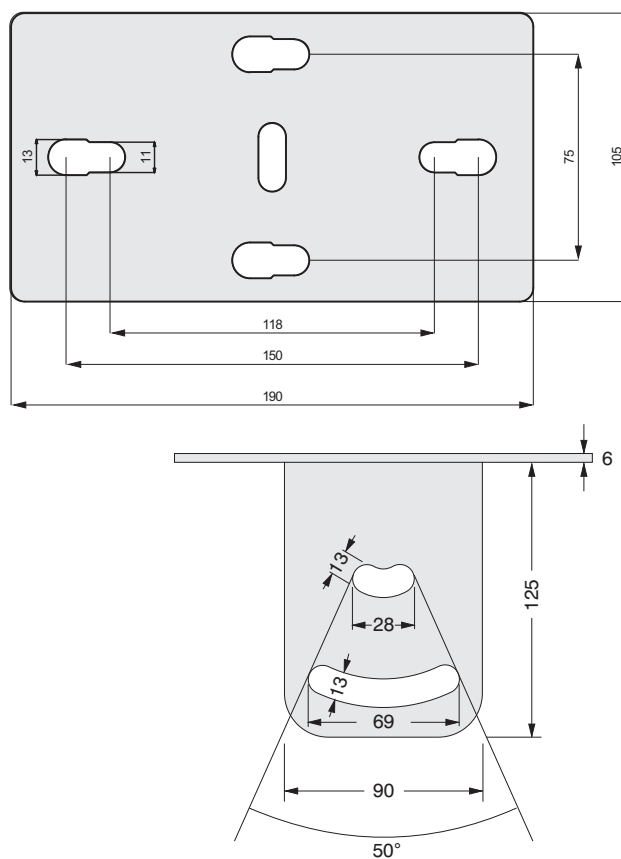
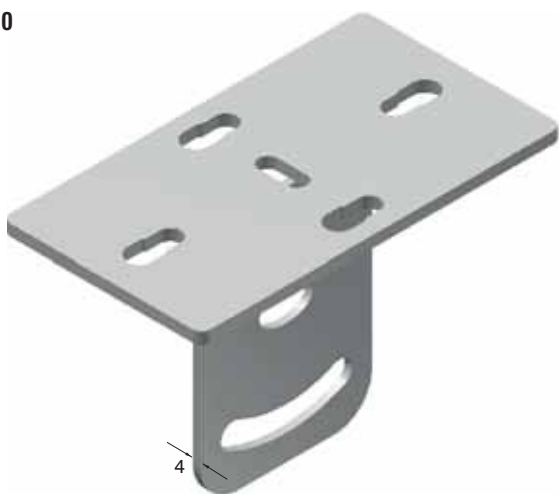
Hot Dip Galvanized After Fabrication (TS EN ISO 1461)

Description	Weight (kg./pc.)	Order Code	Pack (pc.)
TMP 7 Ceiling Support Unit	1,218	3008381	10
TMP10 Ceiling Support Unit	1,298	3007922	10

TMP 7



TMP 10

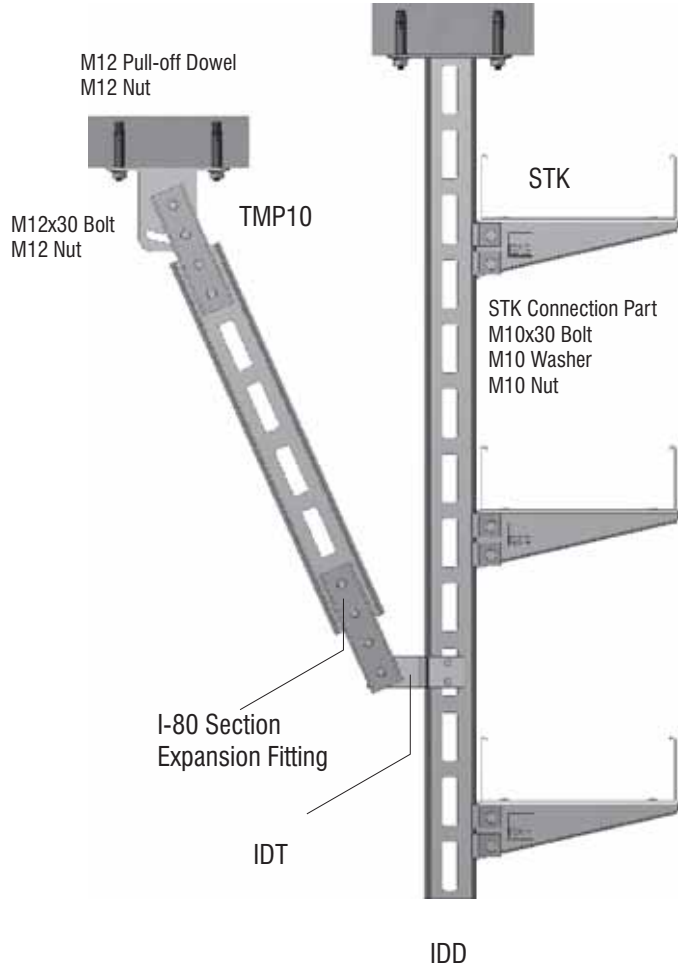
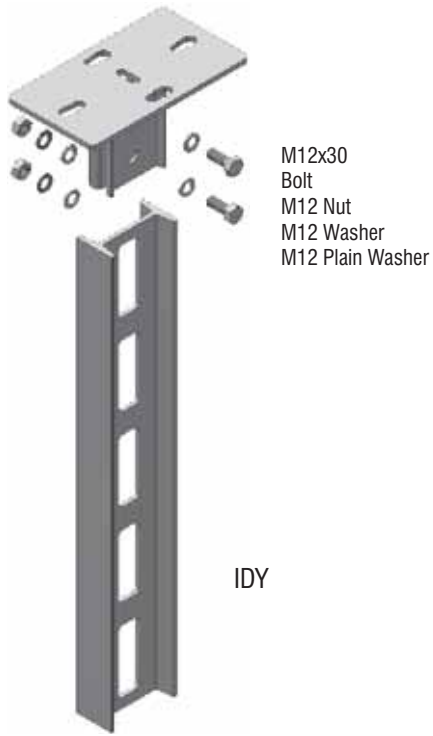


■ Please indicate order code in your orders.

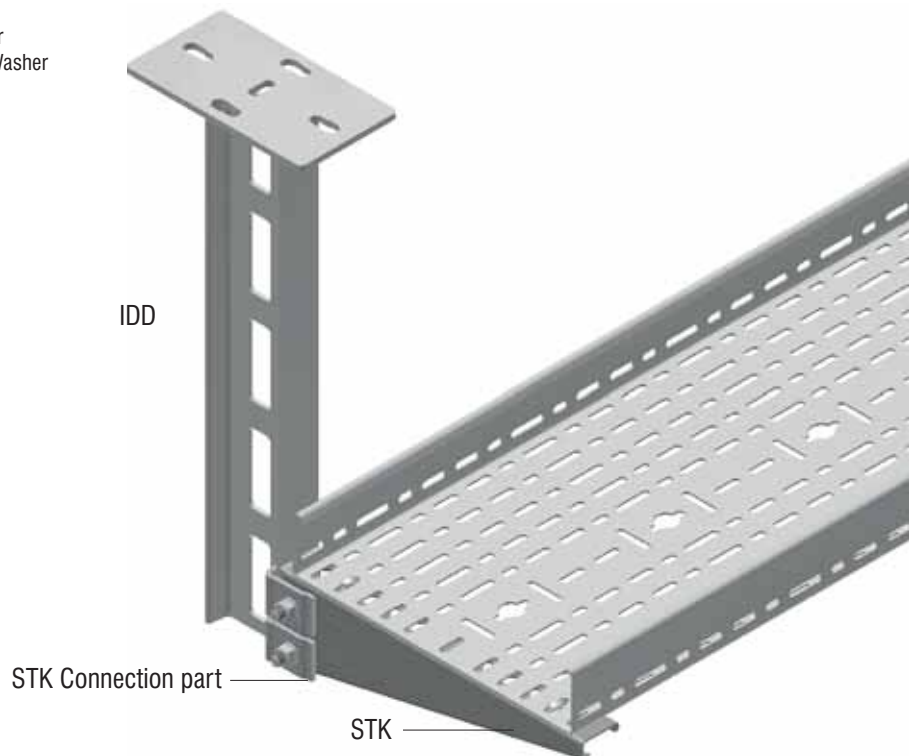
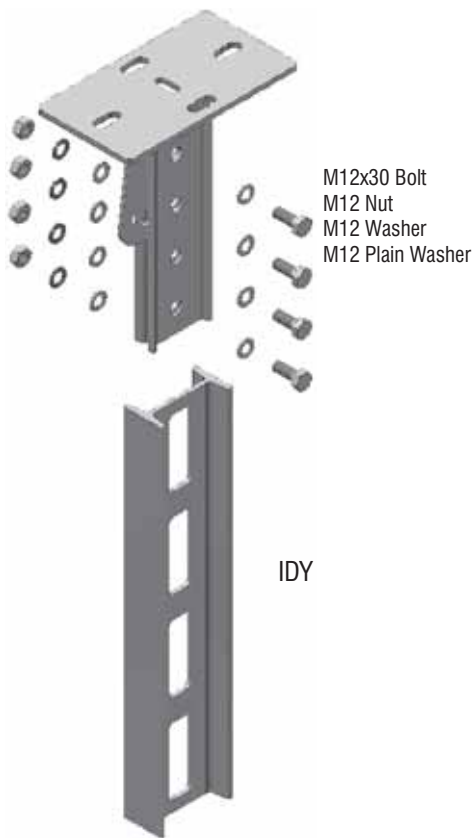
■ Please contact us for special size.

■ Material weights may vary by $\pm 10\%$

TMP 7



TMP 10



■ Please indicate order code in your orders.

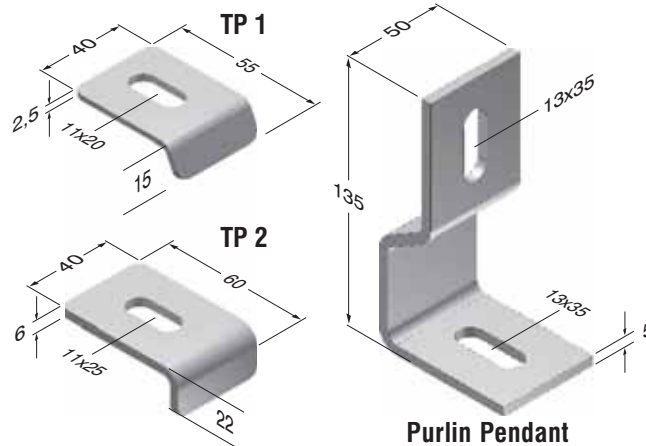
■ Please contact us for special size.

■ Material weights may vary by $\pm 10\%$

►► SUPPORT FITTINGS

Hot Dip Galvanized (TS EN ISO 1461)

Description	T (mm)	Weight (kg./pc.)	Order Code	Pack (pc.)
Purlin Pendant	5	0,297	2000322	20



►► SUPPORT FITTINGS

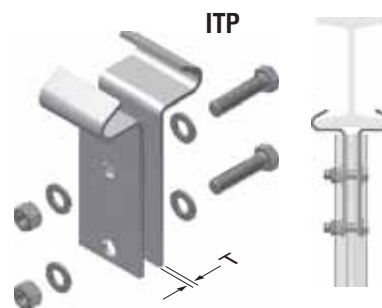
Alkali Zinc

Description	T (mm)	Weight (kg./pc.)	Order Code
TP 1 Fixing Part	2,5	0,050	3006649
TP 2 Fixing Part	6	0,134	3006350

►► SUPPORT FITTINGS

Hot Dip Galvanized (TS EN ISO 1461)

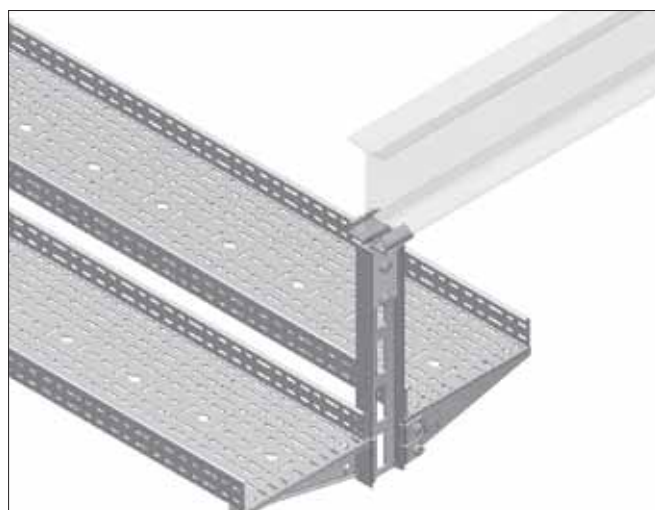
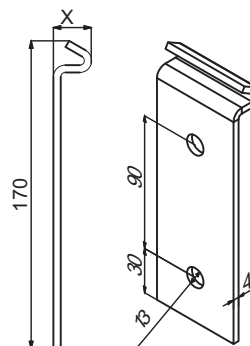
Description	T (mm)	X (mm)	Max. Safe Tensile Load	Weight (kg./set.)	Order Code	Pack (pc.)
ITP Mounting Set IPN-80	4	21	250 kg	0,913	3195585	10
ITP Mounting Set IPN-100	4	25	250 kg	0,931	3195586	10
ITP Mounting Set IPN-120	4	29	250 kg	0,949	3195587	10
ITP Mounting Set IPN-140	4	33	250 kg	0,968	3195588	10



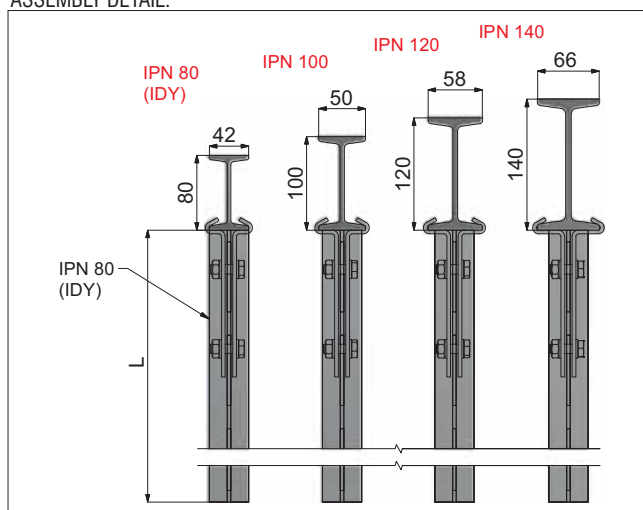
Delivered as set. 1 set includes :

Product	Quantity
ITP Fixing Part	2 pcs.
M12x30 AKB bolt pcs. (DIN 933)	2 pcs.
M12 Nut (DIN934)	2 pcs.
M12 Washer (DIN 125)	4 pcs.

Compatible I beam size range: IPN-80 / IPN-100 / IPN-120 / IPN-140 (max. I-140)



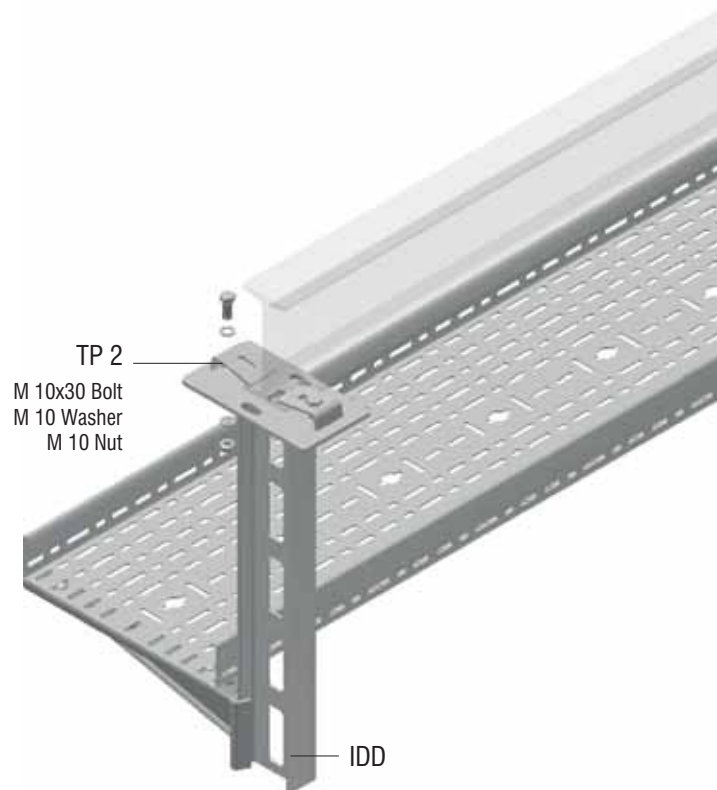
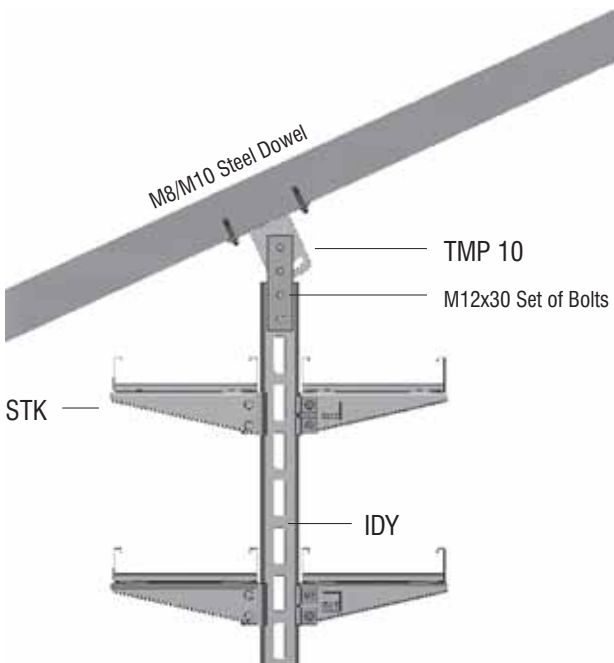
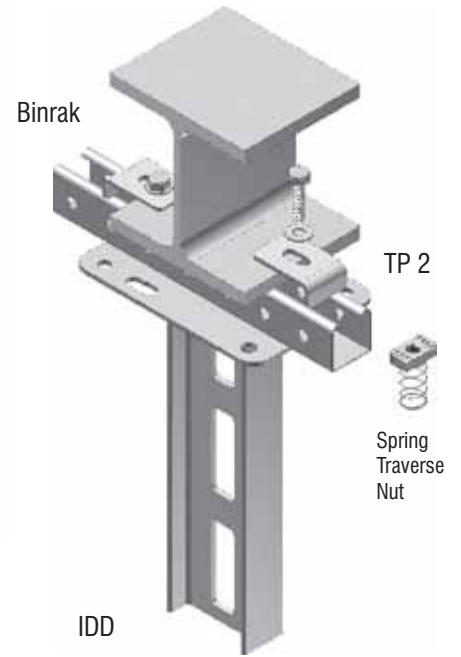
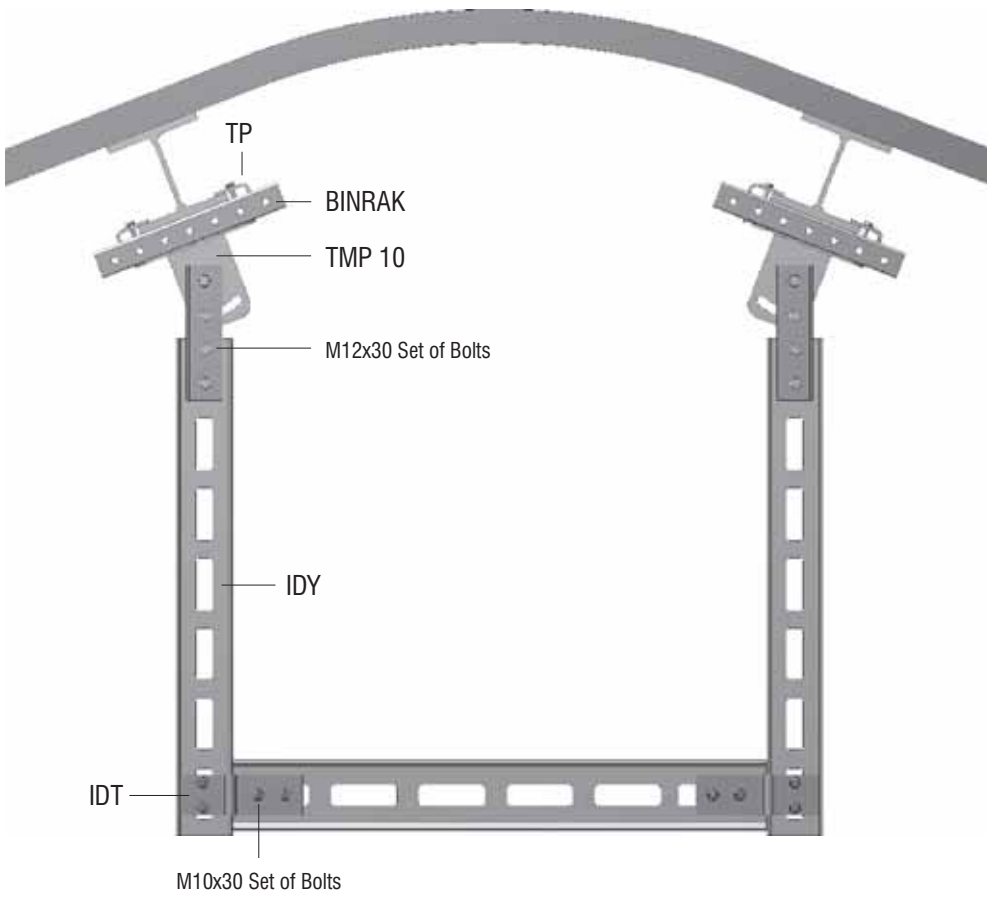
ASSEMBLY DETAIL:



■ Please indicate order code in your orders.

■ Please contact us for special size.

■ Material weights may vary by $\pm 10\%$



■ Please indicate order code in your orders.

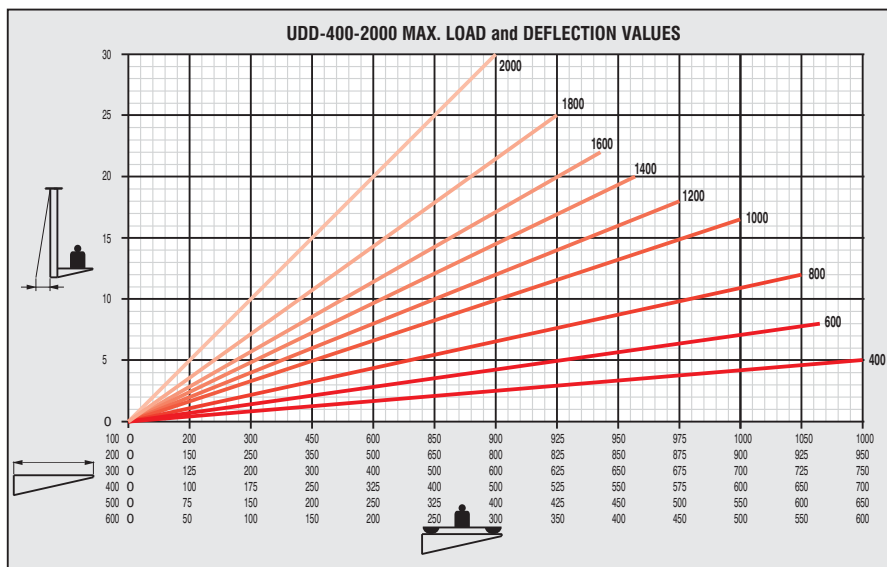
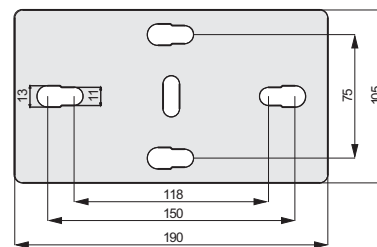
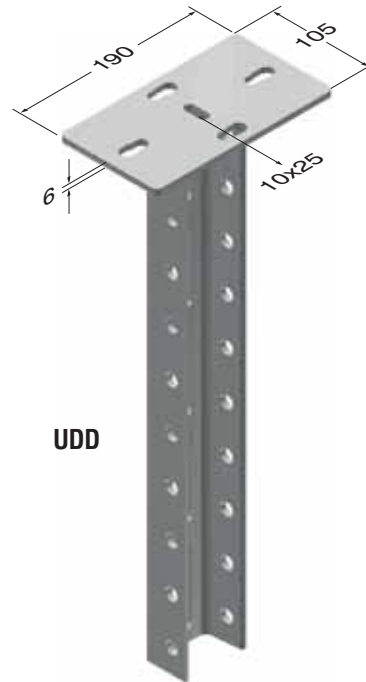
■ Please contact us for special size.


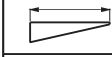


■ Material weights may vary by $\pm 10\%$

▶▶ HEAVY DUTY SUPPORTS (U)

Hot Dip Galvanized After Fabrication (TS EN ISO 1461)

Description	L (mm)	Pulling Load (kg.)	Weight (kg/pc)	Order Code
UDD 300	300	1000	2,750	3007997
UDD 400	400	1000	3,350	3007998
UDD 500	500	1000	3,950	3007999
UDD 600	600	1000	4,550	3008000
UDD 700	700	1000	5,150	3008001
UDD 800	800	1000	5,750	3008002
UDD 900	900	1000	6,350	3008003
UDD 1000	1000	1000	6,950	3008004
UDD 1100	1100	1000	7,550	3008005
UDD 1200	1200	1000	8,150	3008006
UDD 1300	1300	1000	8,750	3008007
UDD 1400	1400	1000	9,350	3008008
UDD 1500	1500	1000	9,850	3008009
UDD 1600	1600	1000	10,550	3008010
UDD 1700	1700	1000	11,150	3008011
UDD 1800	1800	1000	11,750	3008012
UDD 1900	1900	1000	12,350	3008013
UDD 2000	2000	1000	12,950	3008014



	Max. load value allowed in kg
	Console length (mm)
	Hanger support distances as indicated in our product Standard
	Under the console load allowed, the bending (mm) at the end of the hanger support

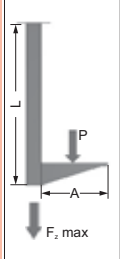
Load values in Tables have been defined on the basis of the TS EN 61537 Standard.

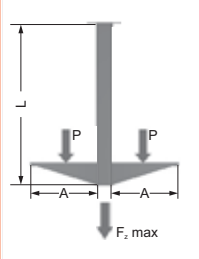
■ Please indicate order code in your orders.

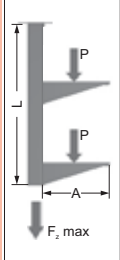
■ Please contact us for special size.

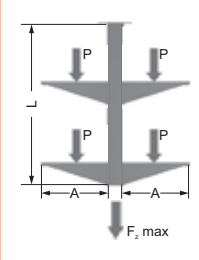
■ Material weights may vary by $\pm 10\%$

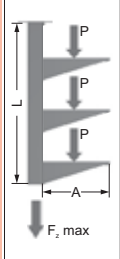
UDD HANDER CARRIAGE VALUES

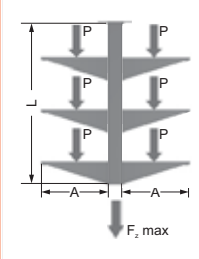
Single-Sided 1 Row	UDD VERTICAL HANGER			P (kg) MAXIMUM LOAD ALLOWED IN SINGLE-SIDED LOADING CONDITION					
	Type	L (mm)	Fz max. (kg)	A (Console Length)					
				100	200	300	400	500	600
	UDD 500	500	1000	1000	950	750	700	650	600
	UDD 1000	1000		1000	900	700	600	550	500
	UDD 1500	1500		950	850	650	550	450	400
	UDD 2000	2000		900	800	600	500	400	300

Double-Sided 1 Row	UDD VERTICAL HANGER			P (kg) MAXIMUM LOAD ALLOWED IN DOUBLE-SIDED LOADING CONDITION					
	Type	L (mm)	Fz max. (kg)	A (Console Length)					
				100	200	300	400	500	600
	UDD 500	500	1000	500	500	500	500	500	500
	UDD 1000	1000		500	500	500	500	500	500
	UDD 1500	1500		500	500	500	500	500	500
	UDD 2000	2000		500	500	500	500	500	500

Single-Sided 2 Row	UDD VERTICAL HANGER			P (kg) MAXIMUM LOAD ALLOWED IN SINGLE-SIDED LOADING CONDITION					
	Type	L (mm)	Fz max. (kg)	A (Console Length)					
				100	200	300	400	500	600
	UDD 500	500	900	500	475	375	350	325	300
	UDD 1000	1000		500	450	350	300	275	250
	UDD 1500	1500		475	425	325	275	225	200
	UDD 2000	2000		450	400	300	250	200	150

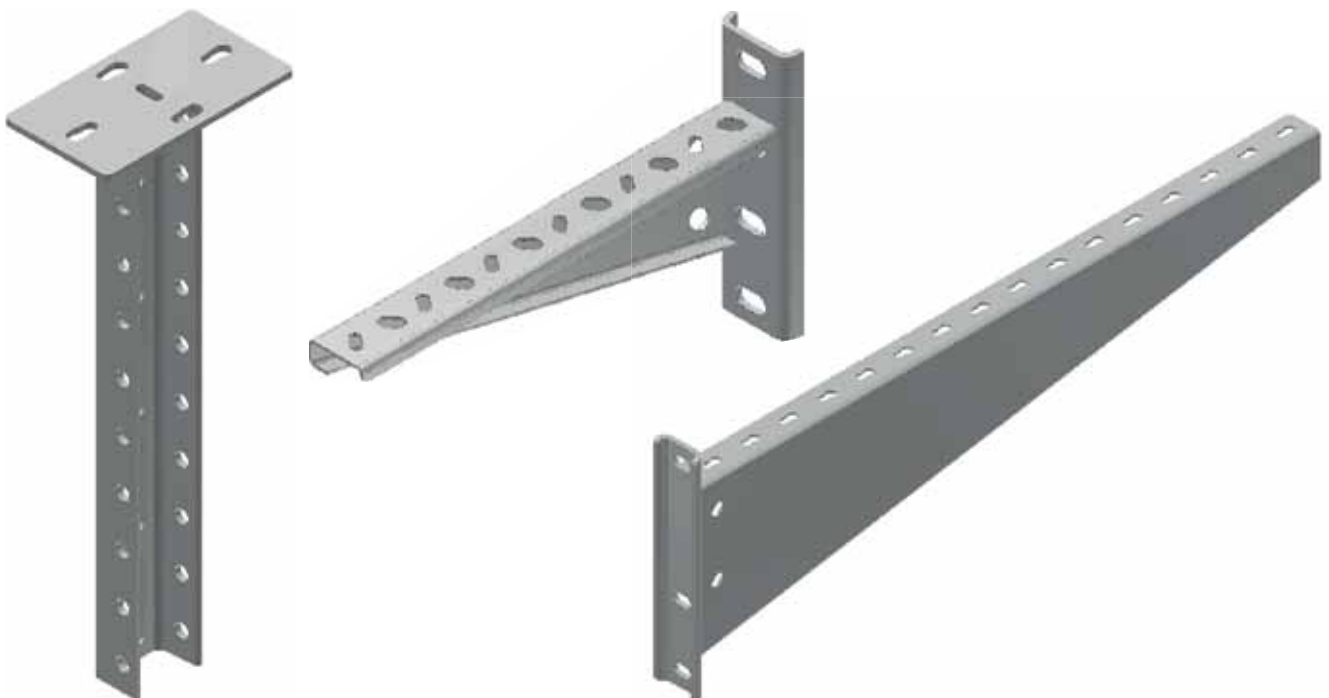
Double-Sided 2 Row	UDD VERTICAL HANGER			P (kg) MAXIMUM LOAD ALLOWED IN DOUBLE-SIDED LOADING CONDITION					
	Type	L (mm)	Fz max. (kg)	A (Console Length)					
				100	200	300	400	500	600
	UDD 500	500	1000	250	250	250	250	250	250
	UDD 1000	1000		250	250	250	250	250	250
	UDD 1500	1500		250	250	250	250	250	250
	UDD 2000	2000		250	250	250	250	250	250

Single-Sided 3 Row	UDD VERTICAL HANGER			P (kg) MAXIMUM LOAD ALLOWED IN SINGLE-SIDED LOADING CONDITION					
	Type	L (mm)	Fz max. (kg)	A (Console Length)					
				100	200	300	400	500	600
	UDD 500	500	1000	330	315	250	230	215	200
	UDD 1000	1000		330	300	230	200	180	165
	UDD 1500	1500		315	280	215	180	150	130
	UDD 2000	2000		300	265	200	165	130	100

Double-Sided 3 Row	UDD VERTICAL HANGER			P (kg) MAXIMUM LOAD ALLOWED IN DOUBLE-SIDED LOADING CONDITION					
	Type	L (mm)	Fz max. (kg)	A (Console Length)					
				100	200	300	400	500	600
	UDD 500	500	1000	165	165	165	165	165	165
	UDD 1000	1000		165	165	165	165	165	165
	UDD 1500	1500		165	165	165	165	165	165
	UDD 2000	2000		165	165	165	165	165	165

* Table load values are specified on the basis of TS EN 61537 standard.

* Consoles that are compatible with UDD hangers are STS and A-ST5 type consoles. For carriage values of consoles, refer to section A-A, page 53 and page 54 respectively.



■ Please indicate order code in your orders.

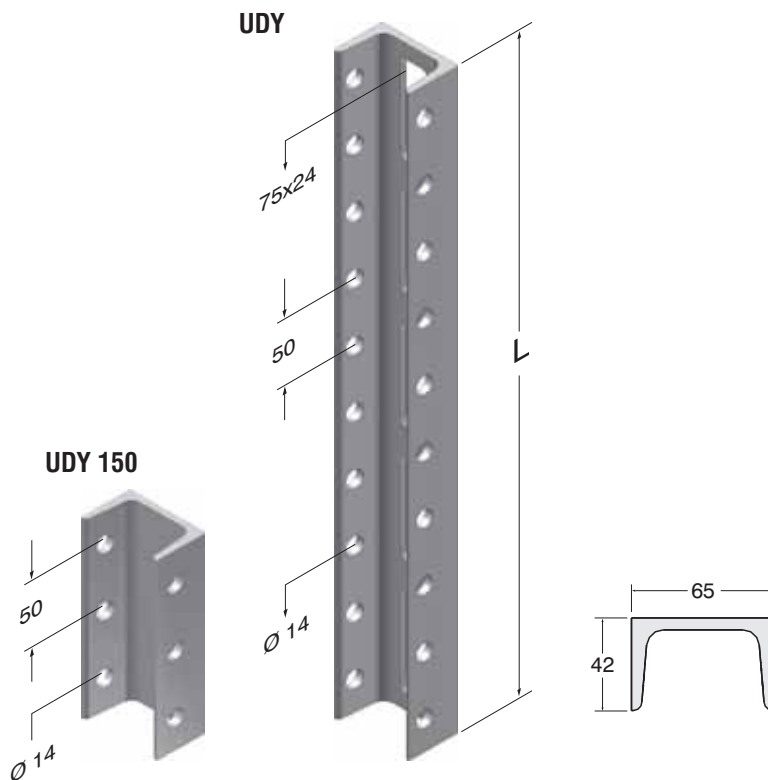
■ Please contact us for special size.

■ Material weights may vary by $\pm 10\%$


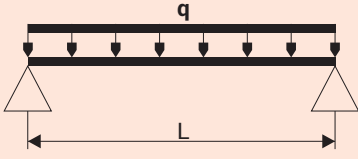
►► HEAVY DUTY SUPPORTS (U)

Hot Dip Galvanized After Fabrication (TS EN ISO 1461)

Description	L (mm)	Weight (kg/pc)	Order Code
UDY 150	150	0,900	3008376
UDY 300	300	1,800	3008023
UDY 400	400	2,400	3008024
UDY 500	500	3,000	3008025
UDY 600	600	3,600	3008026
UDY 700	700	4,200	3008027
UDY 800	800	4,800	3008028
UDY 900	900	5,400	3008029
UDY 1000	1000	6,000	3008030
UDY 1100	1100	6,600	3008031
UDY 1200	1200	7,200	3008032
UDY 1300	1300	7,800	3008033
UDY 1400	1400	8,400	3008034
UDY 1500	1500	8,900	3008035
UDY 1600	1600	9,600	3008036
UDY 1700	1700	10,200	3008037
UDY 1800	1800	10,800	3008038
UDY 1900	1900	11,400	3008039
UDY 2000	2000	12,000	3008040



UDY-PROFILE SAFE CARRIAGE CAPACITIES

LOADING DIRECTION	L (mm)	Max. Load Allowed q (kg)
	500	1000
	750	950
	1000	900
	1250	800
	1500	700
	1750	600
	2000	500
	2250	425
	2500	350
	2750	325
	3000	300

■ Please indicate order code in your orders.

■ Please contact us for special size.

■ UDY 150, produced solid back.

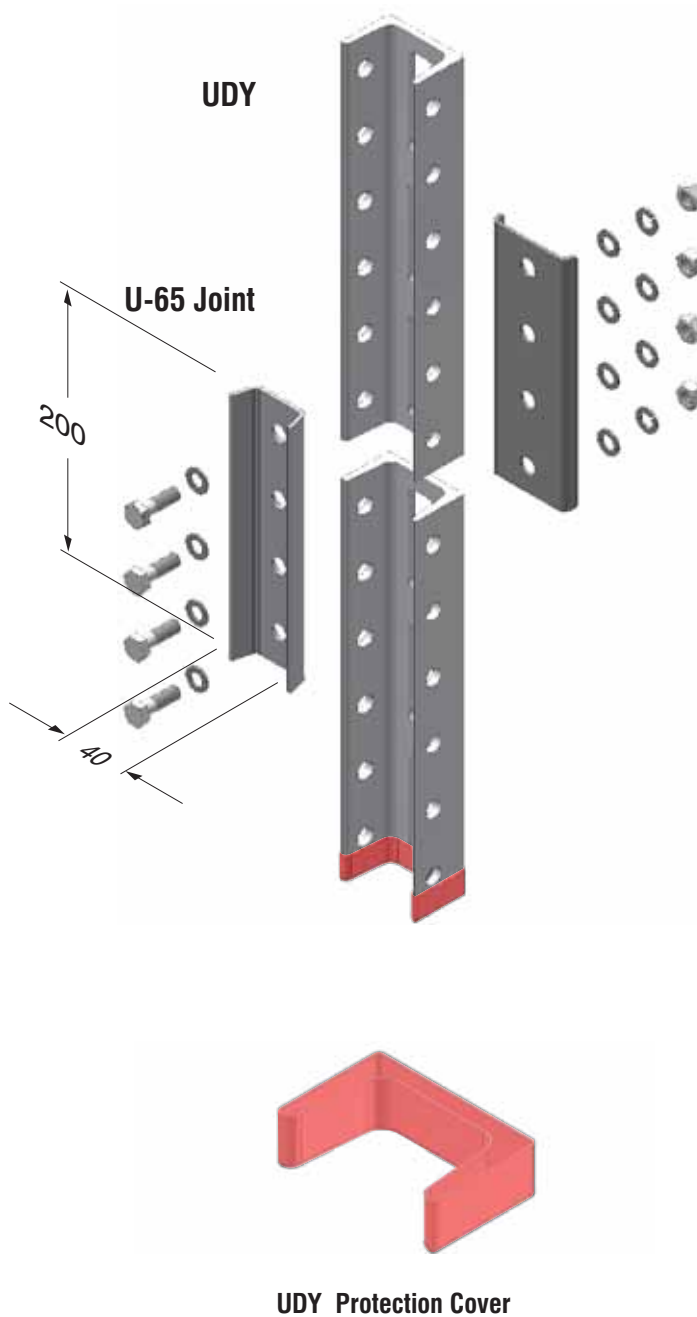
■ Material weights may vary by $\pm 10\%$

▶▶ CEILING MOUNTING FITTINGS

Hot Dip Galvanized After Fabrication (TS EN ISO 1461)

Description	T (mm)	Weight (kg/pc)	Order Code
U-65 U Section Expansion Fitting	2,5	0,345	3006642
UDY Protection Cover	-	-	1002279
I-80 I Profil Ek	2,5	0,312	3008231

- For installation of U-65 and UPY console joint unit; 1 unit I-80 console joint unit, 4 units M10x30 bolt, 8 units M10 nut and 4 units Ø10 washer shall be ordered.



- Please indicate order code in your orders.

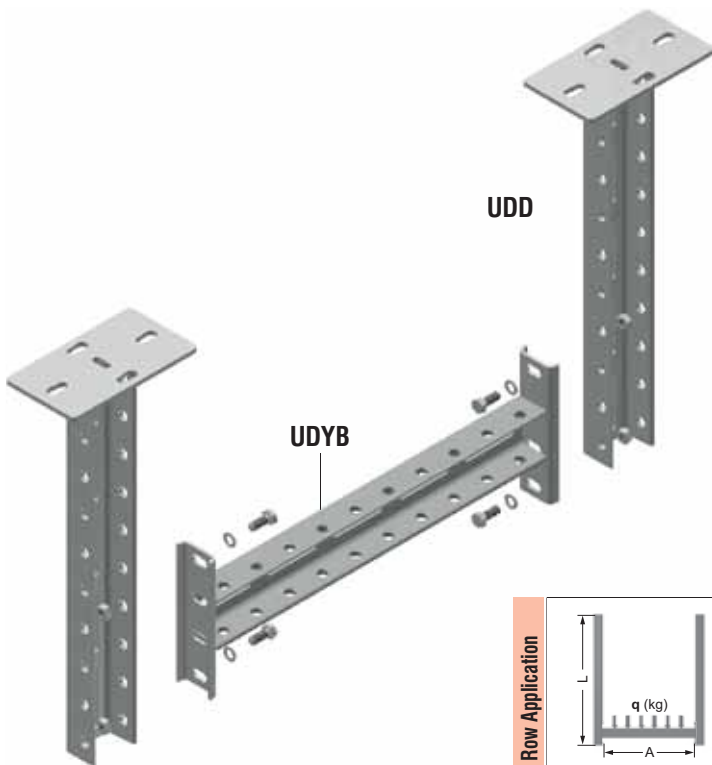
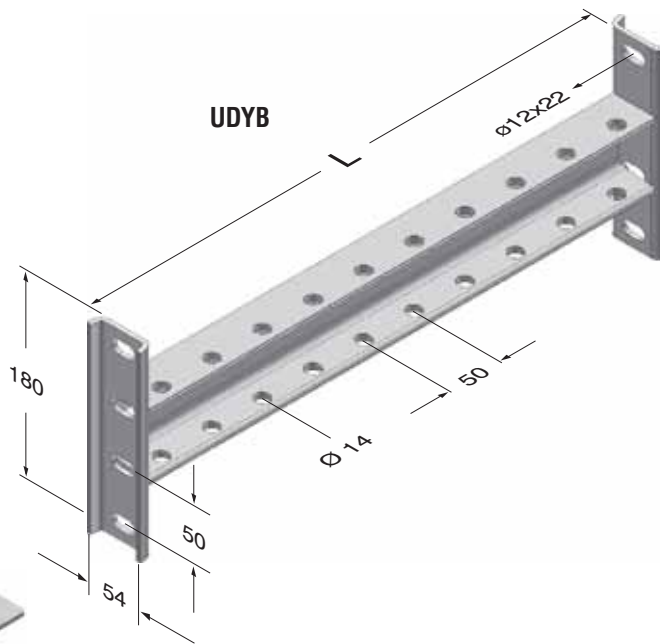
- Please contact us for special size.

- Material weights may vary by $\pm 10\%$

HEAVY DUTY SUPPORTS (U)

Hot Dip Galvanized After Fabrication (TS EN ISO 1461)

Description	L (mm)	Weight (kg/pc)	Order Code
UDYB 300	350	2,866	3007989
UDYB 400	450	3,458	3007990
UDYB 500	550	4,048	3007991
UDYB 600	650	4,640	3007992
UDYB 700	750	5,237	3007993
UDYB 800	850	5,856	3007994
UDYB 900	950	6,433	3007995
UDYB 1000	1050	7,031	3007996

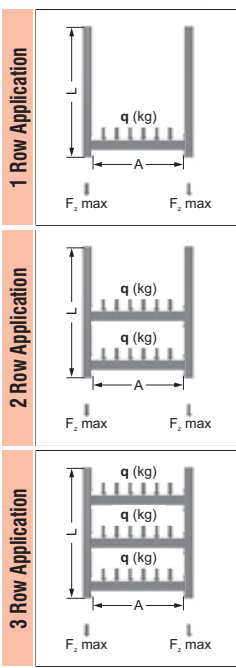


UDD

UDYB

UDD - UDYB H-TYPE HANGER SAFE LOAD VALUES

VERTICAL HANGER: UDD		HORIZONTAL SUPPORTS: UDYB Max. Load Allowed q (kg)			
L (mm)	Fz max. (kg)	A 300-400-500mm	A 600-700-800mm	A 900-1000-1200mm	
1 Row Application	1000	500	1000	900	800
		1000	1000	900	800
		1500	1000	900	800
		2000	1000	900	800
		2500	1000	900	800
		3000	1000	900	800
2 Row Application	1000	500	900	900	800
		1000	900	900	800
		1500	900	900	800
		2000	900	900	800
		2500	900	900	800
		3000	900	900	800
3 Row Application	1000	500	600	600	600
		1000	600	600	600
		1500	600	600	600
		2000	600	600	600
		2500	600	600	600
		3000	600	600	600



■ Please indicate order code in your orders.

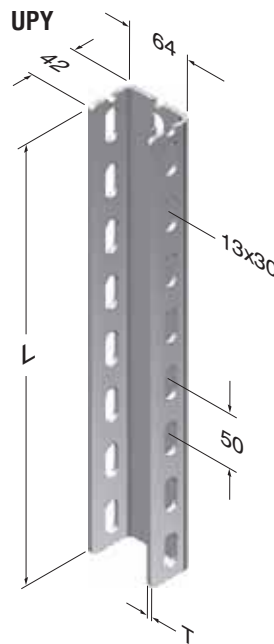
■ Please contact us for special size.

■ Material weights may vary by ± 10%

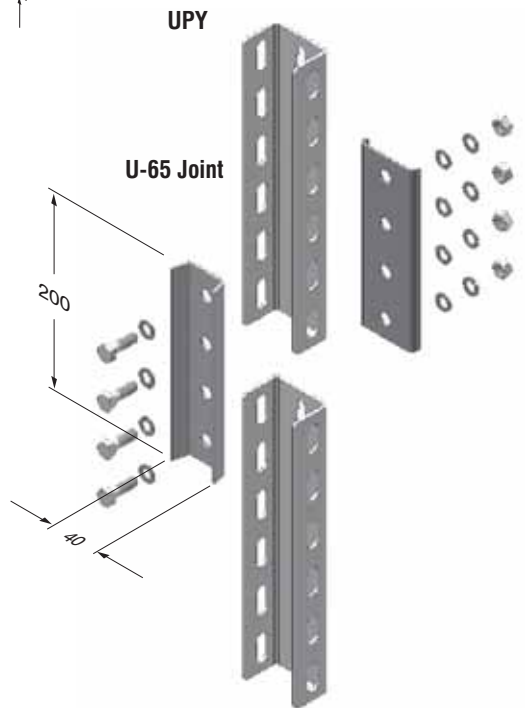
HEAVY DUTY SUPPORTS (U)

Hot Dip Galvanized (TS EN ISO 1461)

Description	T (mm)	L (mm)	Weight (kg/pc)	Order Code
UPY 150	3	150	0,451	3004419
UPY 300	3	300	0,902	3004420
UPY 400	3	400	1,203	3004422
UPY 500	3	500	1,507	3004424
UPY 600	3	600	1,804	3004426
UPY 700	3	700	2,112	3004428
UPY 800	3	800	2,398	3004429
UPY 900	3	900	2,695	3004430
UPY 1000	3	1000	3,037	3004431
UPY 1100	3	1100	3,307	3004432
UPY 1200	3	1200	3,608	3004433
UPY 1300	3	1300	3,905	3004434
UPY 1400	3	1400	4,202	3004435
UPY 1500	3	1500	4,555	3004436
UPY 1600	3	1600	4,818	3004437
UPY 1700	3	1700	5,115	3004438
UPY 1800	3	1800	5,412	3004439
UPY 1900	3	1900	5,712	3004440
UPY 2000	3	2000	6,012	3004441
UPY 3000	3	3000	9,020	3001953
UPY 150	4	150	0,586	3004486
UPY 300	4	300	1,172	3004487
UPY 400	4	400	1,562	3004489
UPY 500	4	500	1,956	3004491
UPY 600	4	600	2,343	3004493
UPY 700	4	700	2,728	3004495
UPY 800	4	800	3,124	3004496
UPY 900	4	900	3,515	3004497
UPY 1000	4	1000	3,945	3004498
UPY 1100	4	1100	4,296	3004499
UPY 1200	4	1200	4,686	3004500
UPY 1300	4	1300	5,071	3004501
UPY 1400	4	1400	5,467	3004502
UPY 1500	4	1500	5,917	3004503
UPY 1600	4	1600	6,248	3004504
UPY 1700	4	1700	6,633	3004505
UPY 1800	4	1800	7,029	3004506
UPY 1900	4	1900	7,414	3004507
UPY 2000	4	2000	7,811	3004508
UPY 3000	4	3000	11,716	3001954



- Following items shall be ordered for the installation of the UPY Console attachment:
 - I-80 I Profile attachment, 1 piece
 - I-65 U Profile fitting, 1 piece
 - M10x30 Bolts, 4 pieces
 - M10 Nuts, 4 pieces
 - M10 Washers, 8 pieces
 - M10 Spring washers, 4 pieces.



UPY-PROFILE SAFE CARRIAGE CAPACITIES

LOADING DIRECTION	L (mm)	Max. Load Allowed q (kg)	
		UPY - 3mm	UPY - 4mm
	500	700	800
	750	590	700
	1000	480	600
	1250	400	500
	1500	320	400
	1750	280	340
	2000	240	300
	2250	210	260
	2500	185	225
	2750	170	210
3000	160	200	

■ Please indicate order code in your orders.

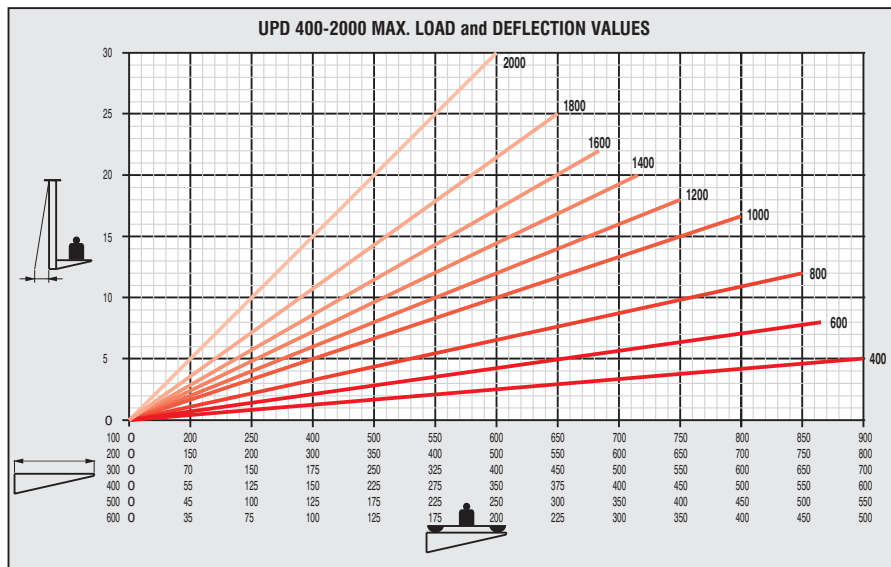
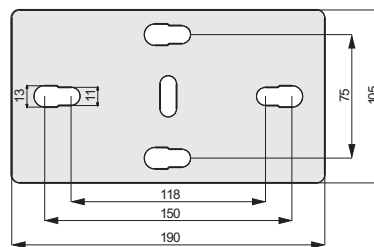
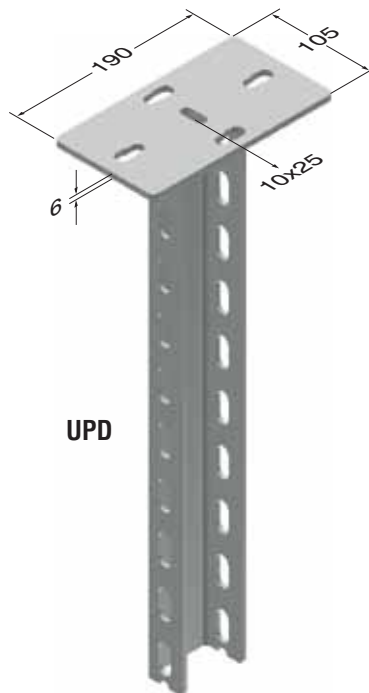
■ Please contact us for special size.

■ Material weights may vary by ± 10%

►► HEAVY DUTY SUPPORTS (U)

Hot Dip Galvanized After Fabrication (TS EN ISO 1461)

Description	L (mm)	Pulling Load (kg.)	Weight (kg/pc)	Order Code
UPD 300	300	900	2,101	3004510
UPD 400	400	900	2,497	3004512
UPD 500	500	900	2,882	3004514
UPD 600	600	900	3,267	3004516
UPD 700	700	900	3,674	3004518
UPD 800	800	900	4,056	3004519
UPD 900	900	900	4,451	3004520
UPD 1000	1000	900	4,837	3004521
UPD 1100	1100	900	5,226	3004522
UPD 1200	1200	900	5,610	3004523
UPD 1300	1300	900	6,006	3004524
UPD 1400	1400	900	6,391	3004525
UPD 1500	1500	900	6,787	3004526
UPD 1600	1600	900	7,172	3004527
UPD 1700	1700	900	7,570	3004528
UPD 1800	1800	900	7,960	3004529
UPD 1900	1900	900	8,349	3004530
UPD 2000	2000	900	8,741	3004531
UPD 3000	3000	900	12,645	3030393



	Max. load value allowed in kg
	Console length (mm)
	Hanger support distances as indicated in our product Standard
	Under the console load allowed, the bending (mm) at the end of the hanger support

Load values in Tables have been defined on the basis of the TS EN 61537 Standard.

■ Please indicate order code in your orders.

■ Please contact us for special size.

■ Material weights may vary by ± 10%

UPD HANGER CARRIAGE VALUES

Single-Sided 1 Row	UPD VERTICAL HANGER			P (kg) MAXIMUM LOAD ALLOWED IN SINGLE-SIDED LOADING CONDITION					
	Type	L (mm)	Fz max. (kg)	A (Console Length)					
				100	200	300	400	500	600
	UPD 500	500	900	900	800	700	600	550	500
	UPD 1000	1000		800	700	600	500	450	400
	UPD 1500	1500		700	600	500	400	350	300
	UPD 2000	2000		600	500	400	350	250	200

Double-Sided 1 Row	UPD VERTICAL HANGER			P (kg) MAXIMUM LOAD ALLOWED IN DOUBLE-SIDED LOADING CONDITION					
	Type	L (mm)	Fz max. (kg)	A (Console Length)					
				100	200	300	400	500	600
	UPD 500	500	900	450	450	450	450	450	450
	UPD 1000	1000		450	450	450	450	450	450
	UPD 1500	1500		450	450	450	450	450	450
	UPD 2000	2000		450	450	450	450	450	450

Single-Sided 2 Row	UPD VERTICAL HANGER			P (kg) MAXIMUM LOAD ALLOWED IN SINGLE-SIDED LOADING CONDITION					
	Type	L (mm)	Fz max. (kg)	A (Console Length)					
				100	200	300	400	500	600
	UPD 500	500	900	450	400	350	300	275	250
	UPD 1000	1000		400	350	300	250	225	200
	UPD 1500	1500		350	300	250	200	175	150
	UPD 2000	2000		300	250	200	175	125	100

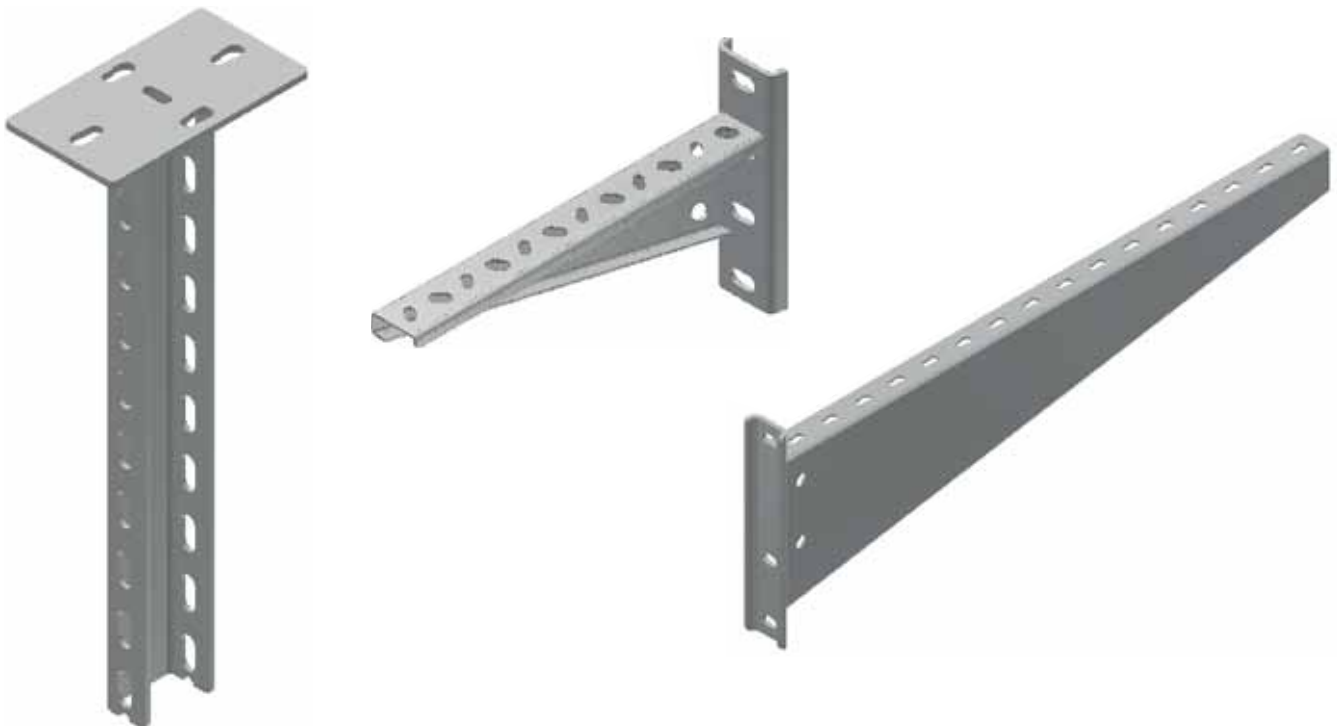
Double-Sided 2 Row	UPD VERTICAL HANGER			P (kg) MAXIMUM LOAD ALLOWED IN DOUBLE-SIDED LOADING CONDITION					
	Type	L (mm)	Fz max. (kg)	A (Console Length)					
				100	200	300	400	500	600
	UPD 500	500	900	225	225	225	225	225	225
	UPD 1000	1000		225	225	225	225	225	225
	UPD 1500	1500		225	225	225	225	225	225
	UPD 2000	2000		225	225	225	225	225	225

Single-Sided 3 Row	UPD VERTICAL HANGER			P (kg) MAXIMUM LOAD ALLOWED IN SINGLE-SIDED LOADING CONDITION					
	Type	L (mm)	Fz max. (kg)	A (Console Length)					
				100	200	300	400	500	600
	UPD 500	500	900	300	265	230	200	180	165
	UPD 1000	1000		265	230	200	165	150	130
	UPD 1500	1500		230	200	165	130	115	100
	UPD 2000	2000		200	165	130	115	80	65

Double-Sided 3 Row	UPD VERTICAL HANGER			P (kg) MAXIMUM LOAD ALLOWED IN DOUBLE-SIDED LOADING CONDITION					
	Type	L (mm)	Fz max. (kg)	A (Console Length)					
				100	200	300	400	500	600
	UPD 500	500	900	150	150	150	150	150	150
	UPD 1000	1000		150	150	150	150	150	150
	UPD 1500	1500		150	150	150	150	150	150
	UPD 2000	2000		150	150	150	150	150	150

* Table load values are specified on the basis of TS EN 61537 standard.

* Consoles that are compatible with UPD hangers are STS and A-STs type consoles. For carriage values of consoles, refer to section A-A, page 53 and page 54 respectively.



■ Please indicate order code in your orders.

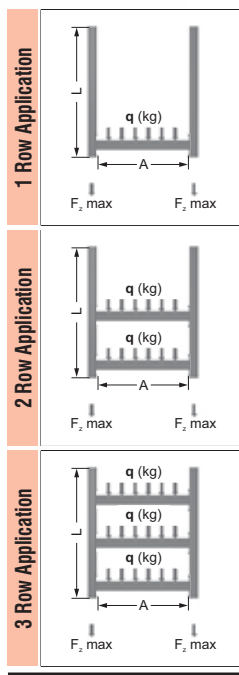
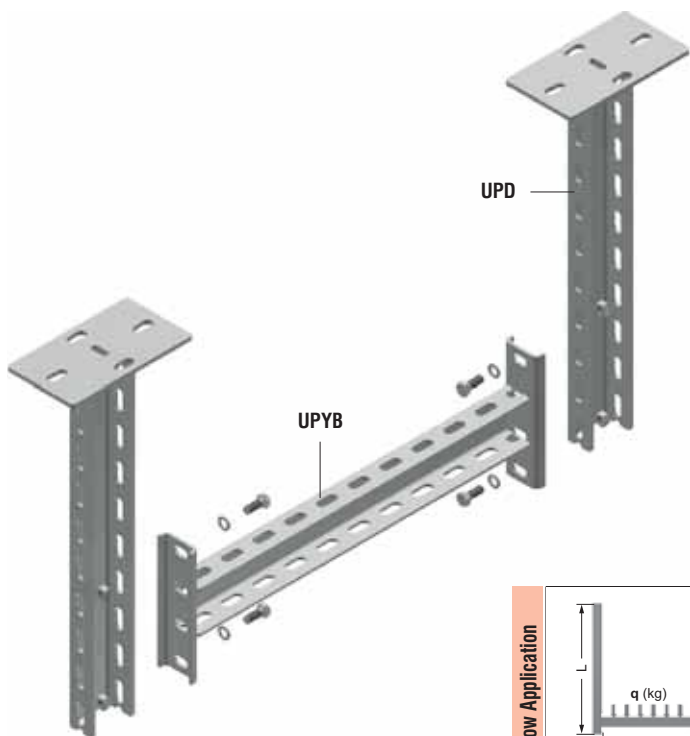
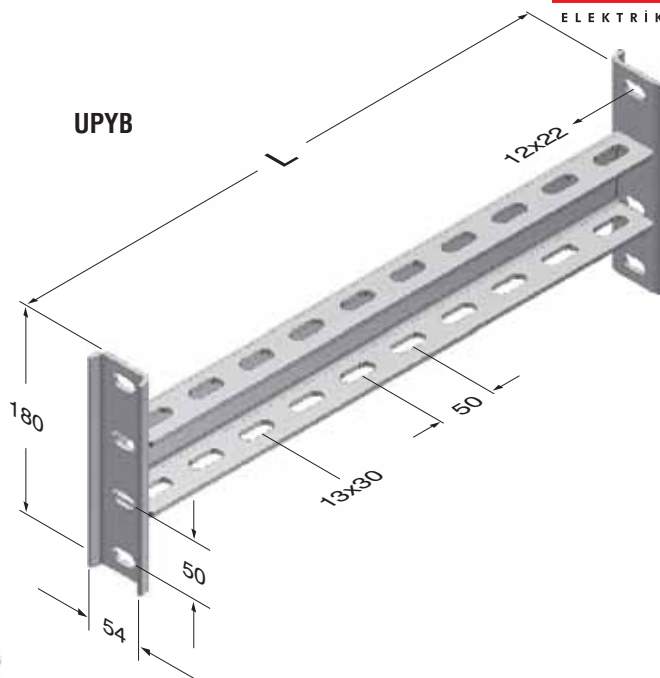
■ Please contact us for special size.

■ Material weights may vary by ± 10%

HEAVY DUTY SUPPORTS (U)

Hot Dip Galvanized After Fabrication (TS EN ISO 1461)

Description	L (mm)	Weight (kg/pc)	Order Code
UPYB 300	350	2,162	3004533
UPYB 400	450	2,567	3004535
UPYB 500	550	2,969	3004537
UPYB 600	650	3,372	3004539
UPYB 700	750	3,773	3004541
UPYB 800	850	4,176	3004542
UPYB 900	950	4,579	3004543
UPYB 1000	1050	4,980	3004544



UPD - UPYB H-TYPE HANGER SAFE LOAD VALUES					
VERTICAL HANGER: UPD		HORIZONTAL SUPPORTS: UPYB Max. Load Allowed q (kg)			
L (mm)	Fz max. (kg)	A 300-400-500mm	A 600-700-800mm	A 900-1000-1200mm	
1 Row Application	900	500	750	650	600
		1000	750	650	600
		1500	750	650	600
		2000	750	650	600
		2500	750	650	600
		3000	750	650	600
2 Row Application	900	500	750	650	600
		1000	750	650	600
		1500	750	650	600
		2000	750	650	600
		2500	750	650	600
		3000	750	650	600
3 Row Application	900	500	600	600	600
		1000	600	600	600
		1500	600	600	600
		2000	600	600	600
		2500	600	600	600
		3000	600	600	600

■ Please indicate order code in your orders.

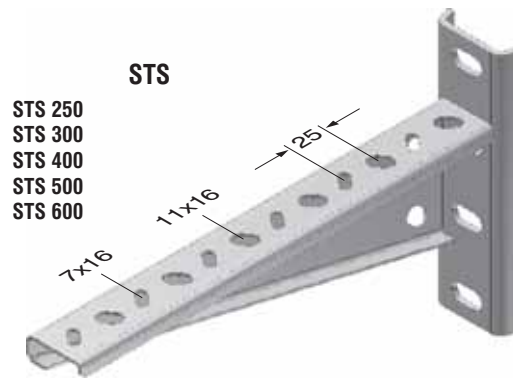
■ Please contact us for special size.

■ Material weights may vary by ± 10%

▶▶ TRAY SUPPORTS

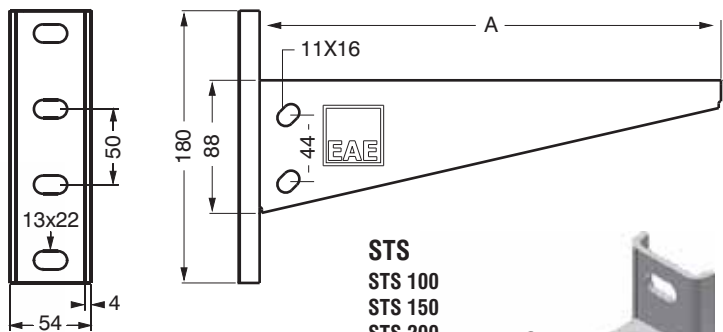
Hot Dip Galvanized After Fabrication (TS EN ISO 1461)

Description	A (mm)	T (mm)	Weight (kg./pc)	Order Code	Pack (set.)
STS 100	120	2	0,398	3008015	10
STS 150	170	2	0,474	3008016	10
STS 200	220	2	0,539	3008017	10
STS 250	270	2	0,814	3008018	10
STS 300	320	2	0,920	3008019	10
STS 400	420	2	1,026	3008020	10
STS 500	520	2	1,262	3008021	10
STS 600	620	2	1,425	3008022	10



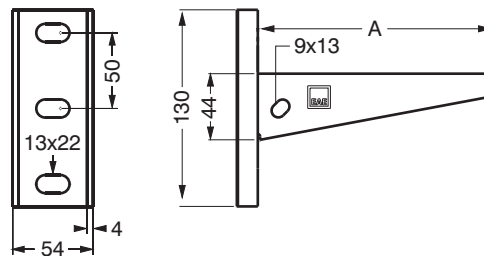
STS
STS 250
STS 300
STS 400
STS 500
STS 600

UPD



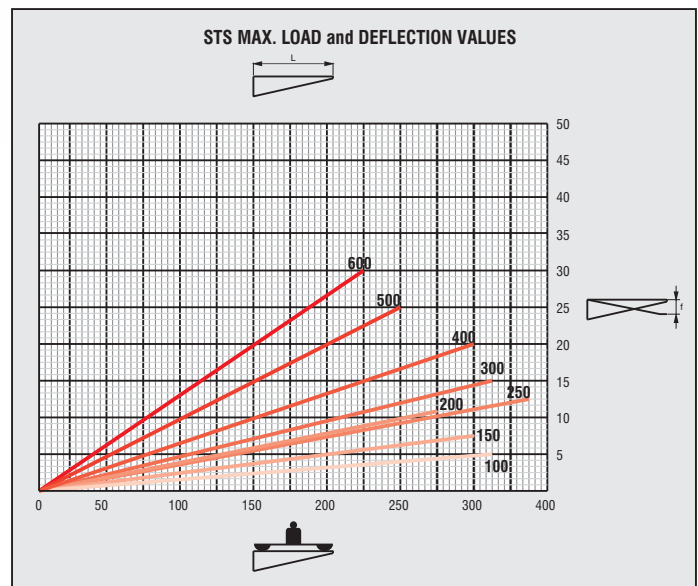
STS
STS 100
STS 150
STS 200

STS



	Max. load value allowed in kg
	Console length (mm)
	Under the console load allowed, the bending (mm) at the end of the hanger support

Load values in Tables have been defined on the basis of the TS EN 61537 Standard.



■ Please indicate order code in your orders.

■ Please contact us for special size.

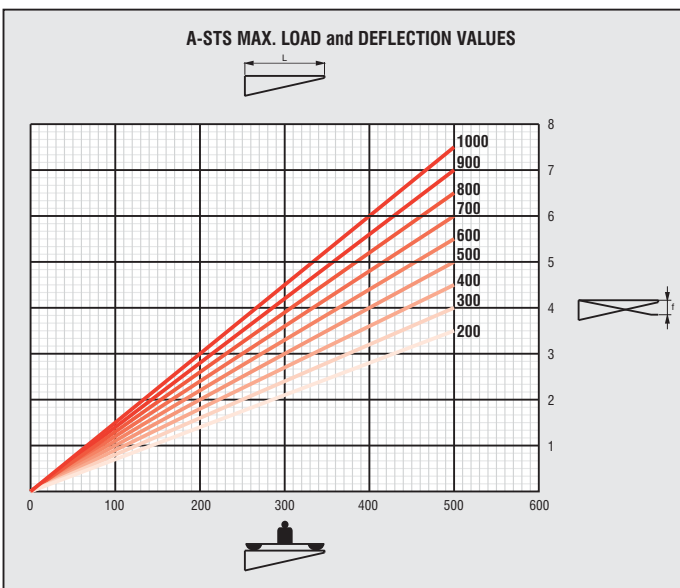
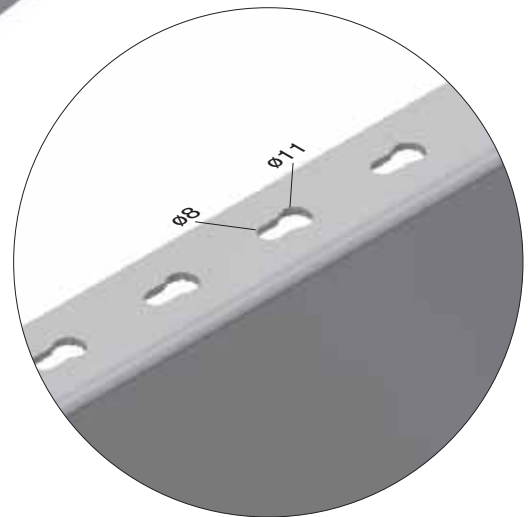
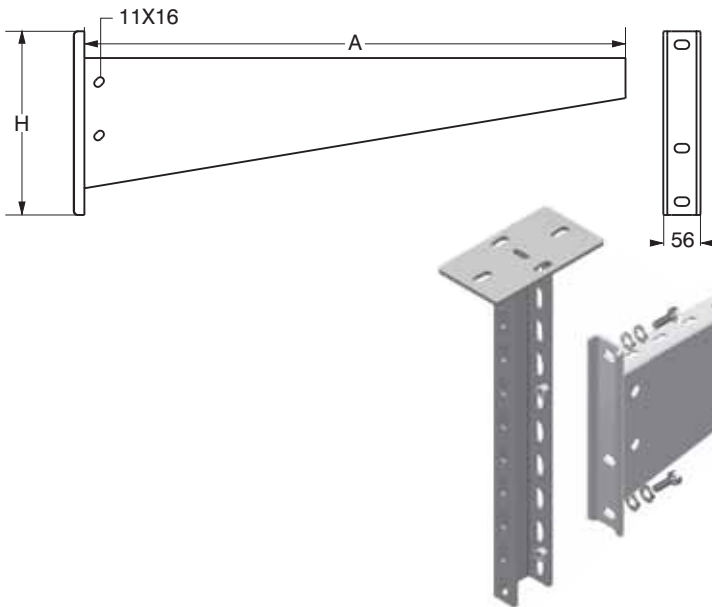
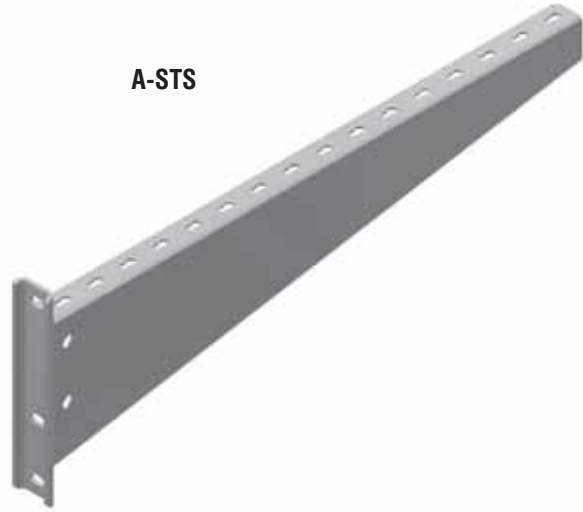
■ Material weights may vary by $\pm 10\%$

►► HEAVY DUTY SUPPORTS

Hot Dip Galvanized (TS EN ISO 1461)

Description	A (mm)	H (mm)	T (mm)	Weight (kg./pc.)	Order Code
A-ST5 210	210	190	3	1,362	3108835
A-ST5 310	310	190	3	1,799	3108836
A-ST5 410	410	240	3	2,459	3108837
A-ST5 510	510	240	3	2,965	3108838
A-ST5 610	610	240	3	3,550	3108839
A-ST5 710	710	290	3	4,545	3108840
A-ST5 810	810	290	3	5,046	3108841
A-ST5 910	910	290	3	5,548	3108842
A-ST5 1010	1010	290	3	6,050	3108843

A-ST5



	Max. load value allowed in kg
	Console length (mm)
	Under the console load allowed, the bending (mm) at the end of the hanger support

Load values in Tables have been defined on the basis of the TS EN 61537 Standard.

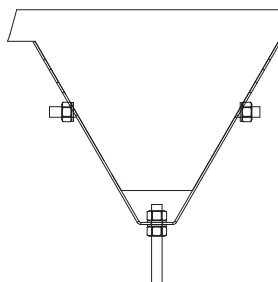
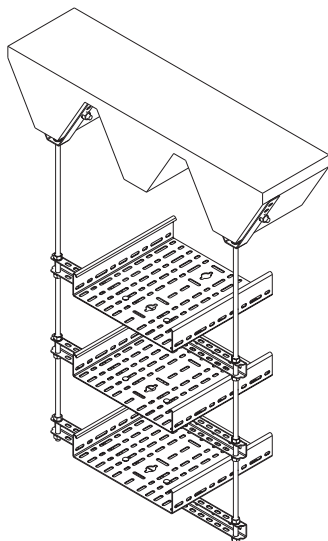
■ Please indicate order code in your orders.

■ Please contact us for special size.

■ Material weights may vary by $\pm 10\%$

►► V SUPPORT

Description	Weight (kg./pc)	Order Code
V SUPPORT FITTINGS	0,193	3063023

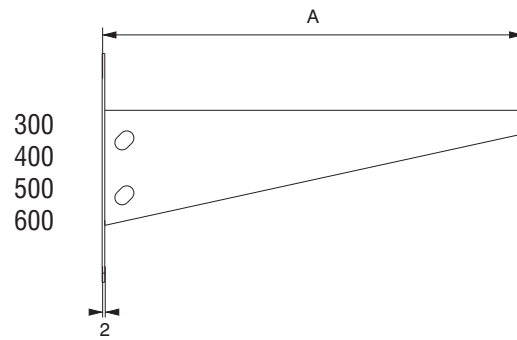
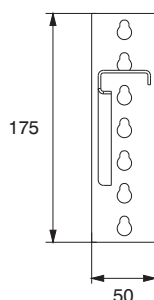
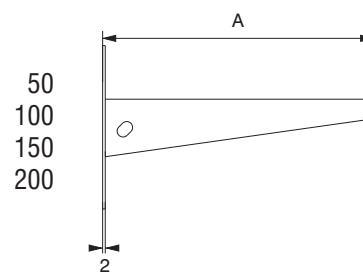
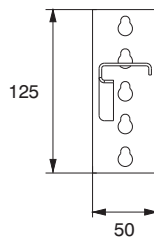
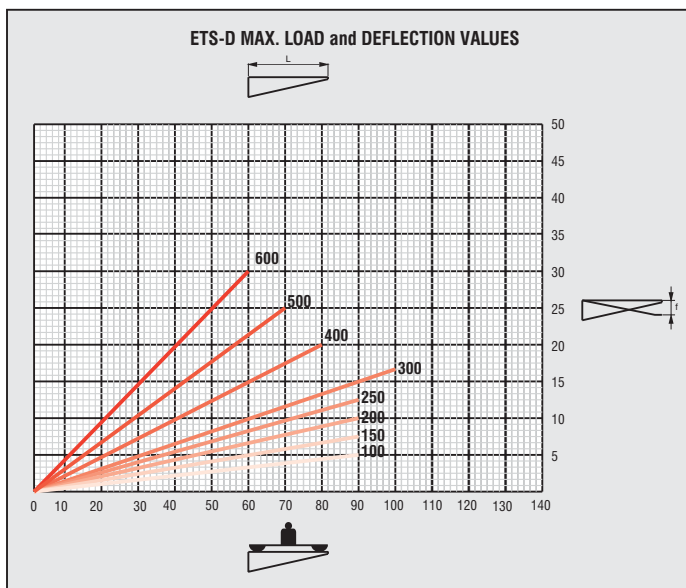


“V” SUPPORT

►► ETS-D SUPPORT

Description	A (mm)	T (mm)	Weight (kg./pc)	Order Code
ETS-D 050 SUPPORT FITTINGS	70	2	0,191	3048986
ETS-D 100 SUPPORT FITTINGS	120	2	0,256	3048987
ETS-D 150 SUPPORT FITTINGS	170	2	0,325	3048988
ETS-D 200 SUPPORT FITTINGS	220	2	0,392	3048989
ETS-D 300 SUPPORT FITTINGS	320	2	0,679	3048990
ETS-D 400 SUPPORT FITTINGS	420	2	0,850	3048991
ETS-D 500 SUPPORT FITTINGS	520	2	1,021	3048992
ETS-D 600 SUPPORT FITTINGS	620	2	1,192	3048993

ETS-D



■ Please indicate order code in your orders.

■ Please contact us for special size.

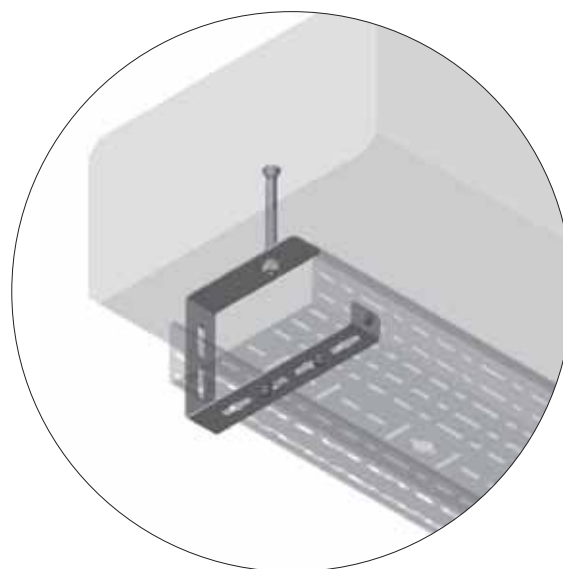
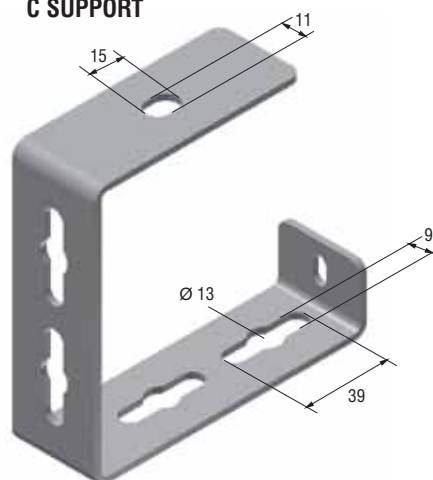
■ Material weights may vary by ± 10%

►► C SUPPORT

Pre-galvanized (TS EN 10346 - TS EN 10143)

Description	H (mm)	A (mm)	T (mm)	Weight (kg./pc)	Order Code
C HANGER WITH DOWEL 100-050	100	81	3	0,233	3086871
C HANGER WITH DOWEL 100-100	100	131	3	0,328	3086872
C HANGER WITH DOWEL 100-150	100	181	3	0,419	3086873
C HANGER WITH DOWEL 100-200	100	231	3	0,462	3086874
C HANGER WITH DOWEL 125-075	125	106	3	0,273	3086875
C HANGER WITH DOWEL 125-100	125	131	3	0,341	3086876
C HANGER WITH DOWEL 125-150	125	181	3	0,436	3086877
C HANGER WITH DOWEL 125-200	125	231	3	0,477	3086878
C HANGER WITH DOWEL 150-100	150	131	3	0,371	3086879
C HANGER WITH DOWEL 150-150	150	181	3	0,462	3086880
C HANGER WITH DOWEL 150-200	150	231	3	0,504	3086881
C HANGER WITH DOWEL 200-150	200	181	3	0,504	3086882
C HANGER WITH DOWEL 200-200	200	231	3	0,546	3086883

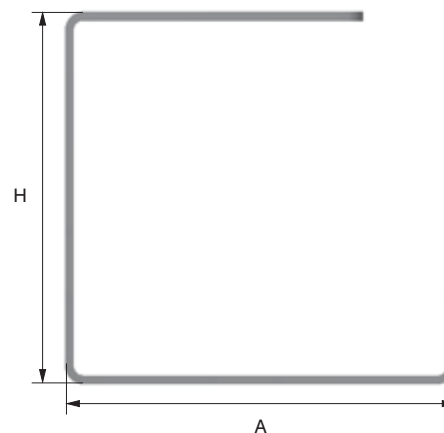
C SUPPORT



►► C SUPPORT

Hot Dip Galvanized (TS EN ISO 1461)

Description	H (mm)	A (mm)	T (mm)	Weight (kg./pc)	Order Code
C HANGER WITH DOWEL 100-050	100	81	3	0,257	3086540
C HANGER WITH DOWEL 100-100	100	131	3	0,361	3086541
C HANGER WITH DOWEL 100-150	100	181	3	0,461	3086542
C HANGER WITH DOWEL 100-200	100	231	3	0,508	3086543
C HANGER WITH DOWEL 125-075	125	106	3	0,300	3086544
C HANGER WITH DOWEL 125-100	125	131	3	0,375	3086545
C HANGER WITH DOWEL 125-150	125	181	3	0,479	3086546
C HANGER WITH DOWEL 125-200	125	231	3	0,525	3086547
C HANGER WITH DOWEL 150-100	150	131	3	0,408	3086548
C HANGER WITH DOWEL 150-150	150	181	3	0,508	3086549
C HANGER WITH DOWEL 150-200	150	231	3	0,554	3086550
C HANGER WITH DOWEL 200-150	200	181	3	0,554	3086551
C HANGER WITH DOWEL 200-200	200	231	3	0,600	3086552



■ Please indicate order code in your orders.

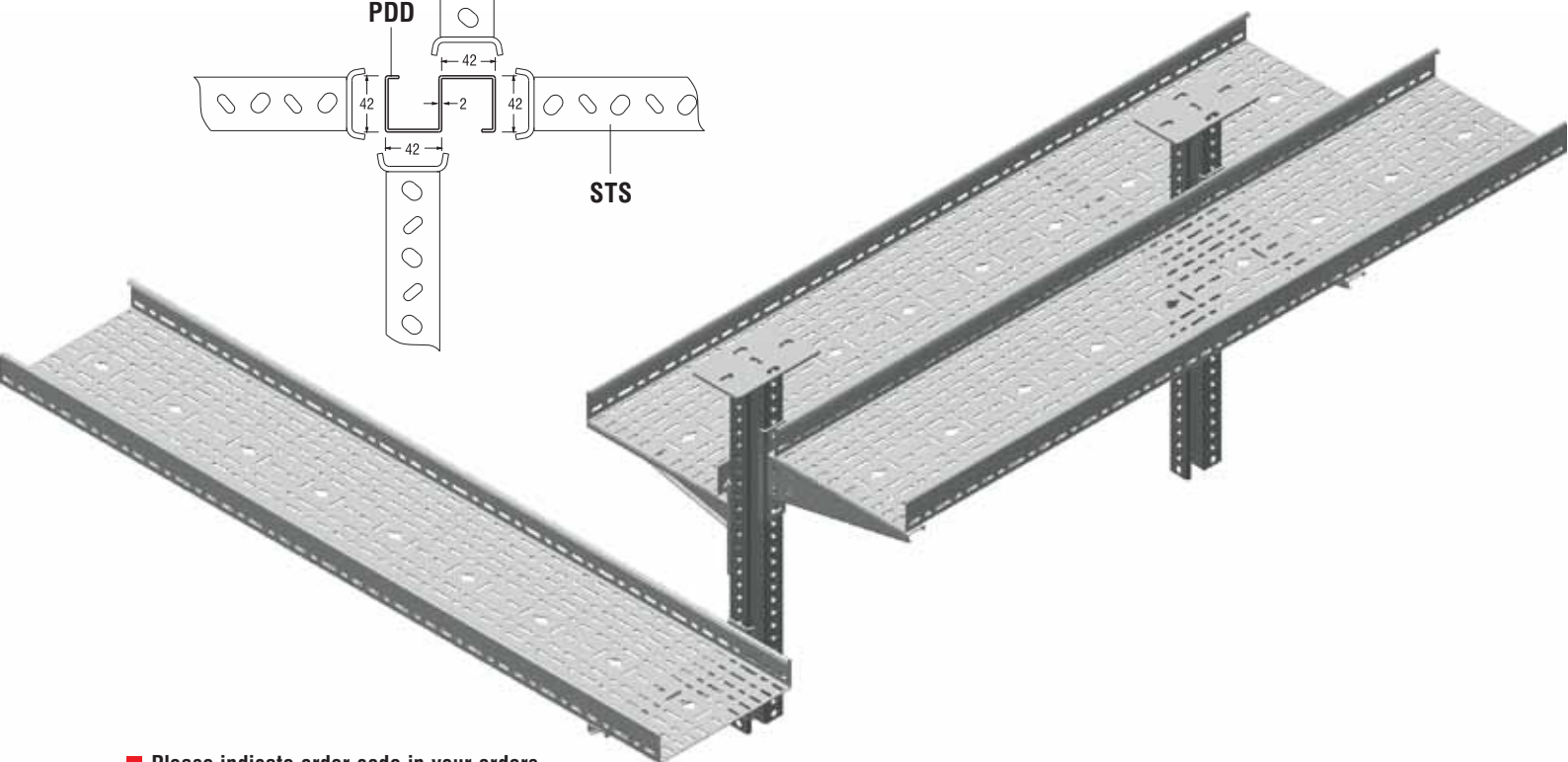
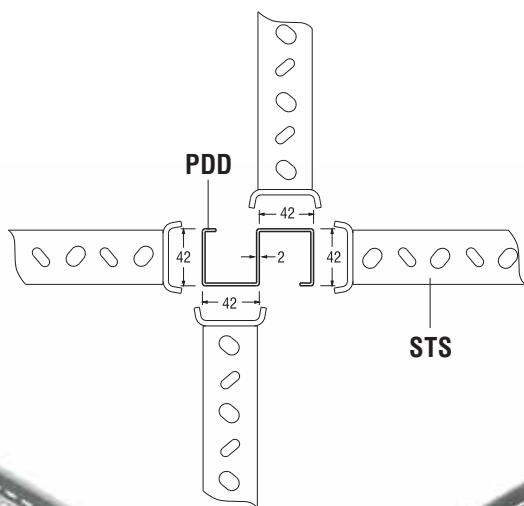
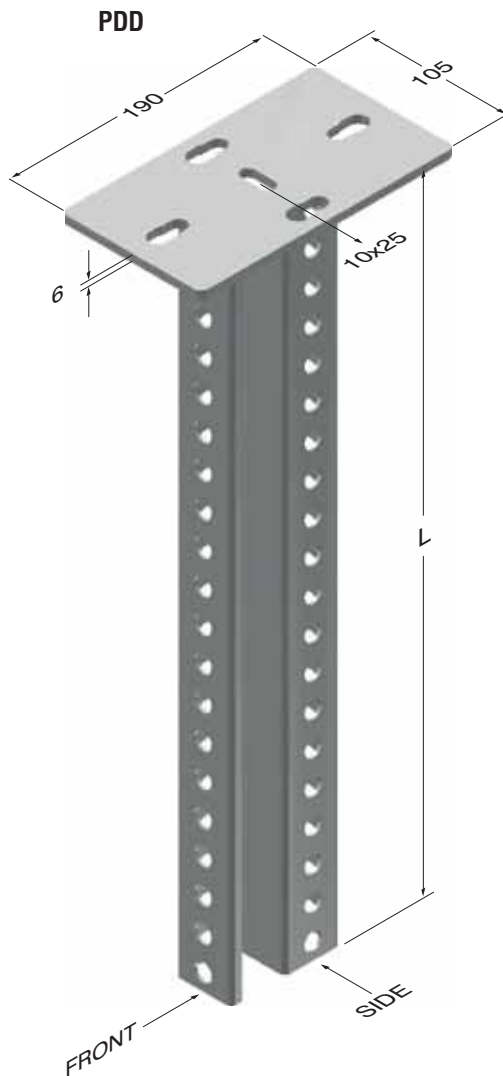
■ Please contact us for special size.

■ Material weights may vary by $\pm 10\%$

▶▶ UNIVERSAL SUPPORTS

Hot Dip Galvanized After Fabrication (TS EN ISO 1461)

Description	L (mm)	Pulling Load (front) (kg.)	Pulling Load (side) (kg.)	T (mm)	Weight (kg/pc)	Order Code
PDD 300	300	500	750	2	1,909	3007953
PDD 400	400	500	750	2	2,230	3007954
PDD 500	500	500	750	2	2,553	3007955
PDD 600	600	500	750	2	2,871	3007956
PDD 700	700	500	750	2	3,518	3007957
PDD 800	800	500	750	2	3,841	3007958
PDD 900	900	500	750	2	4,160	3007959
PDD 1000	1000	500	750	2	4,485	3007960
PDD 1100	1100	500	750	2	4,807	3007961
PDD 1200	1200	500	750	2	5,129	3007962
PDD 1300	1300	500	750	2	5,451	3007963
PDD 1400	1400	500	750	2	5,773	3007964
PDD 1500	1500	500	750	2	6,093	3007965
PDD 1600	1600	500	750	2	6,421	3007966
PDD 1700	1700	500	750	2	6,737	3007967
PDD 1800	1800	500	750	2	7,059	3007968
PDD 1900	1900	500	750	2	7,381	3007969
PDD 2000	2000	500	750	2	7,703	3007970

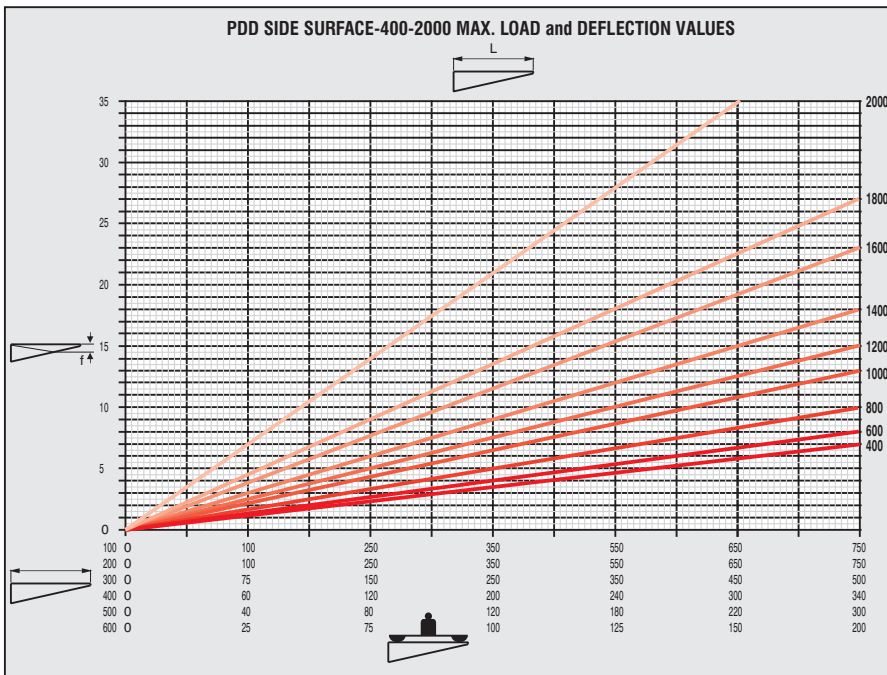
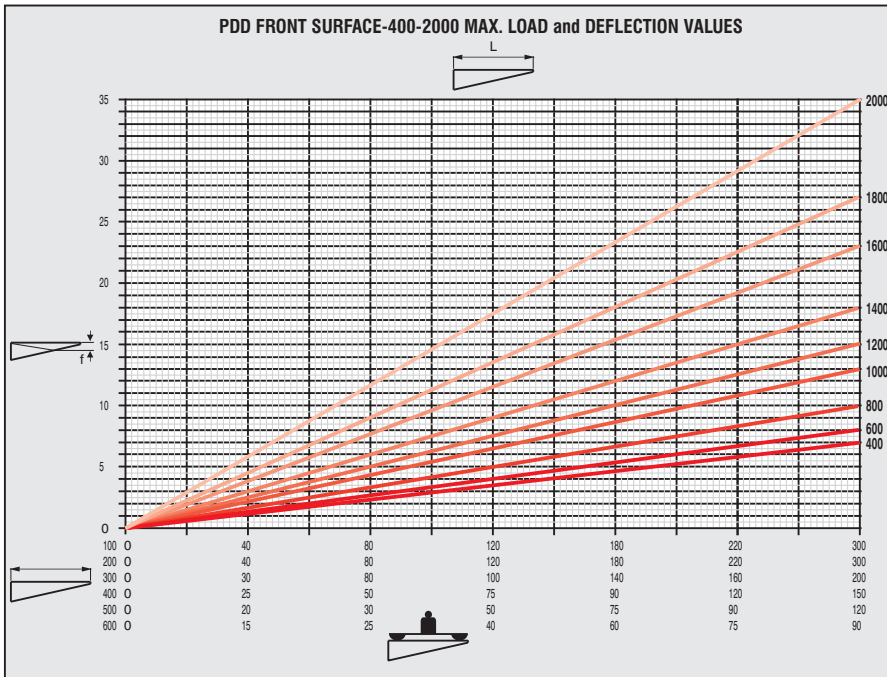
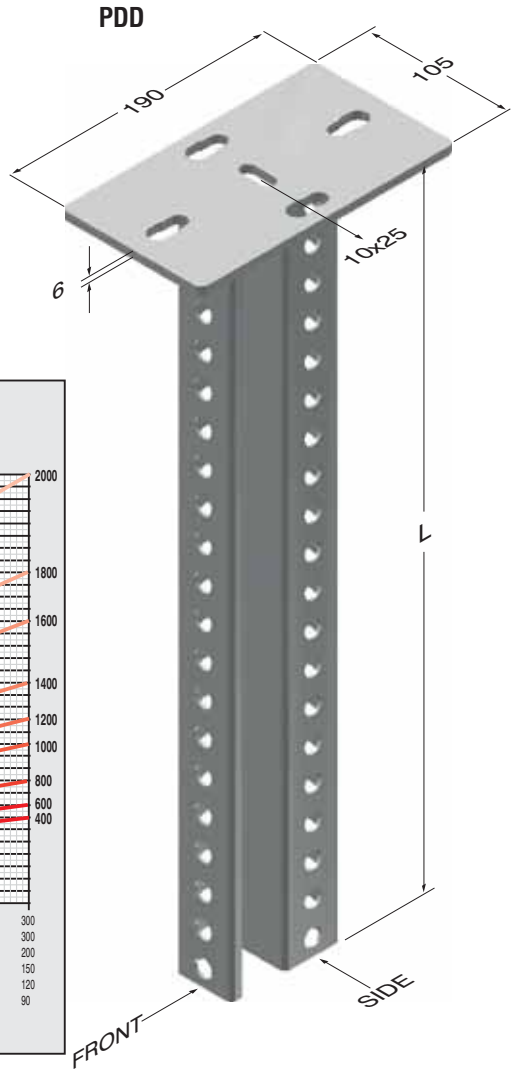


■ Please indicate order code in your orders.

■ Please contact us for special size.

■ Material weights may vary by $\pm 10\%$

►► UNIVERSAL SUPPORTS



	Max. load value allowed in kg
	Console length (mm)
	Hanger support distances as indicated in our product Standard
	Under the console load allowed, the bending (mm) at the end of the hanger support

Load values in Tables have been defined on the basis of the TS EN 61537 Standard.

■ Please indicate order code in your orders.

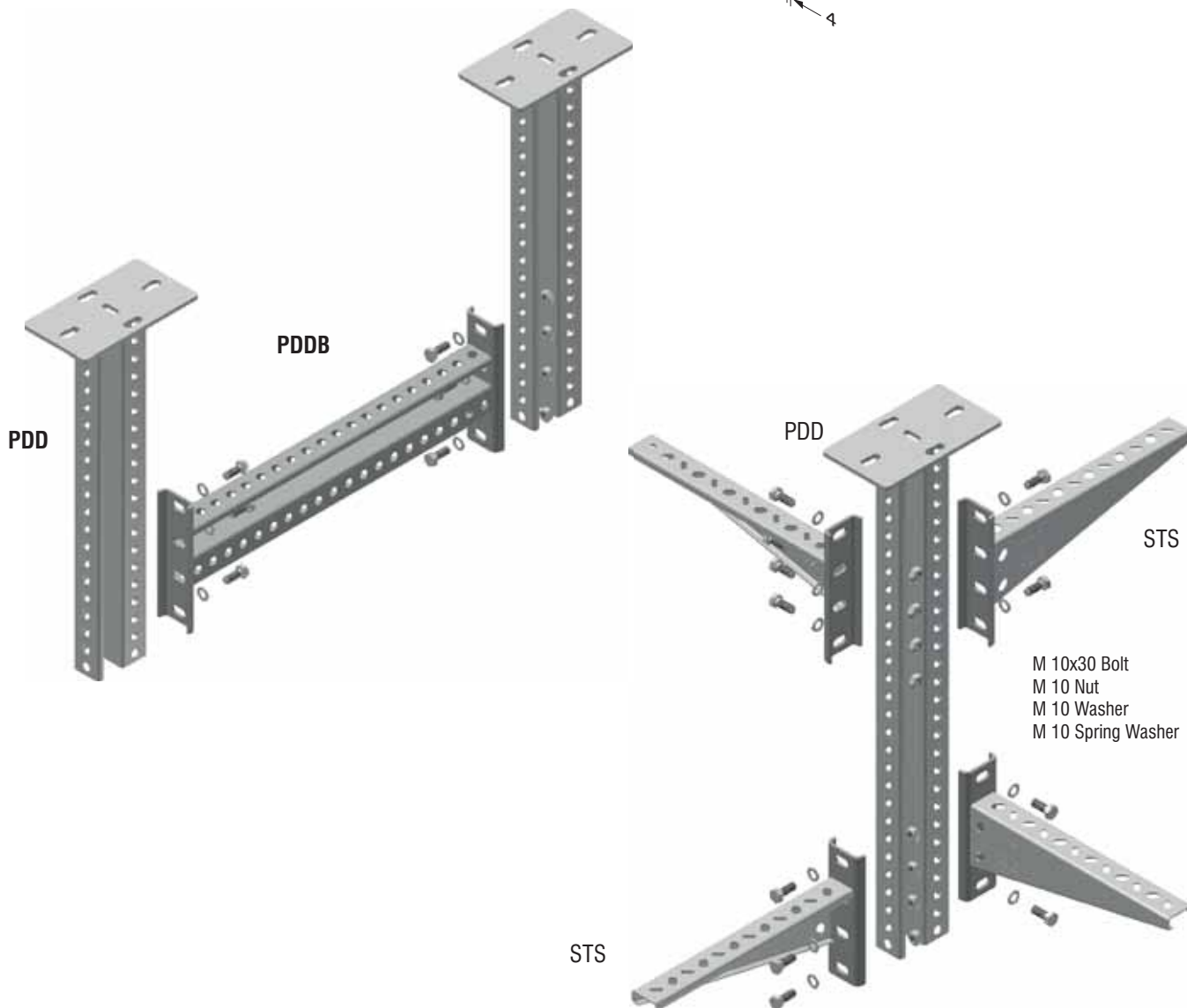
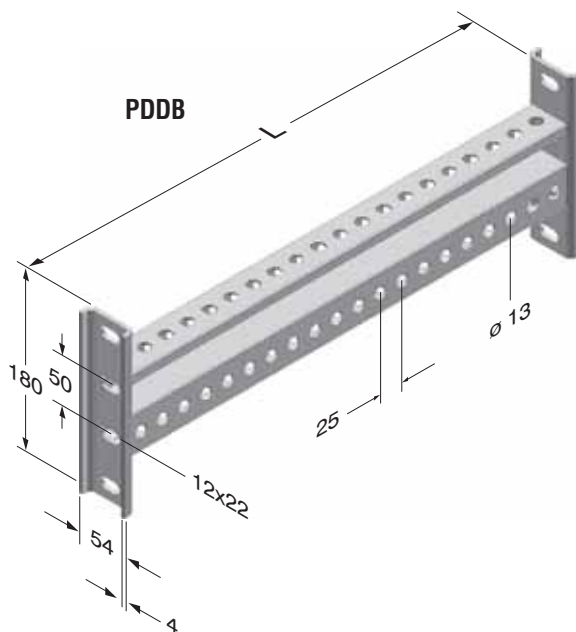
■ Please contact us for special size.

■ Material weights may vary by ± 10%

UNIVERSAL SUPPORTS

Hot Dip Galvanized After Fabrication (TS EN ISO 1461)

Description	L (mm)	T (mm)	Weight (kg/pc)	Order Code
PDDB 300	350	2	1,898	3007971
PDDB 400	450	2	2,226	3007972
PDDB 500	550	2	2,552	3007973
PDDB 600	650	2	2,879	3007974
PDDB 700	750	2	3,207	3007975
PDDB 800	850	2	3,534	3007976
PDDB 900	950	2 </td <td>3,861</td> <td>3007977</td>	3,861	3007977
PDDB 1000	1050	2	4,188	3007978



■ Please indicate order code in your orders.

■ Please contact us for special size.

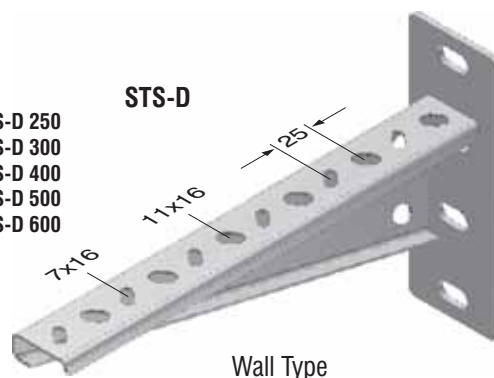
■ Material weights may vary by $\pm 10\%$

▶▶ TRAY SUPPORTS

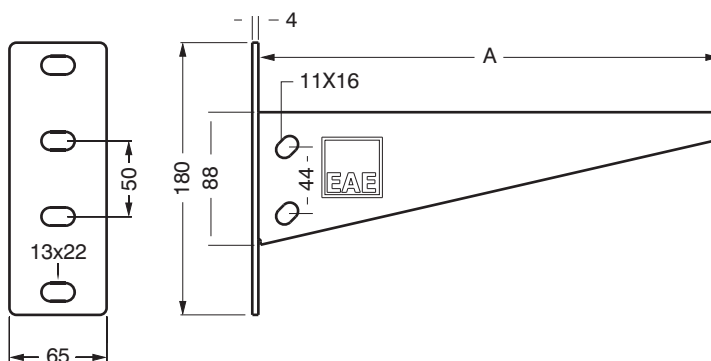
Hot Dip Galvanized After Fabrication (TS EN ISO 1461)

Description	A (mm)	T (mm)	Weight (kg/pc)	Order Code	Pack (set)
STS-D 100	120	2	0,429	3007933	10
STS-D 150	170	2	0,466	3007932	10
STS-D 200	220	2	0,530	3007931	10
STS-D 250	270	2	0,811	3007930	10
STS-D 300	320	2	0,917	3007929	10
STS-D 400	420	2	1,089	3007928	10
STS-D 500	520	2	1,266	3007927	10
STS-D 600	620	2	1,419	3007926	10

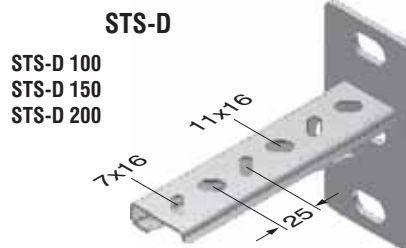
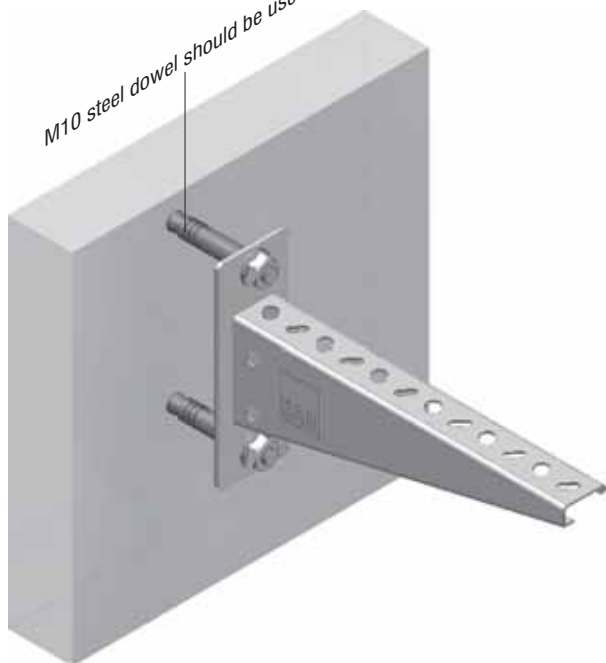
STS-D 250
STS-D 300
STS-D 400
STS-D 500
STS-D 600



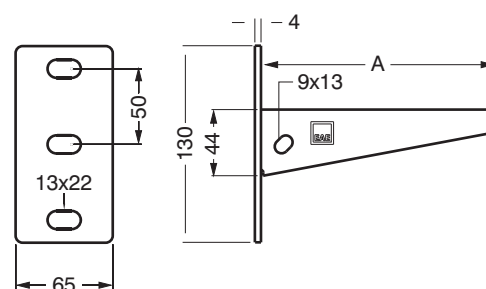
Wall Type



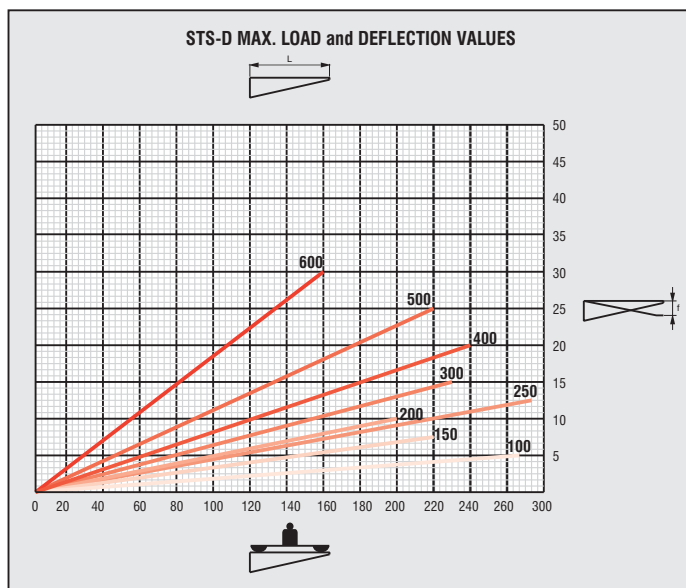
M10 steel dowel should be used



STS-D 100
STS-D 150
STS-D 200



STS-D MAX. LOAD and DEFLECTION VALUES



	Max. load value allowed in kg
	Console length (mm)
	Under the console load allowed, the bending (mm) at the end of the hanger support

Load values in Tables have been defined on the basis of the TS EN 61537 Standard.

■ Please indicate order code in your orders.

■ Please contact us for special size.

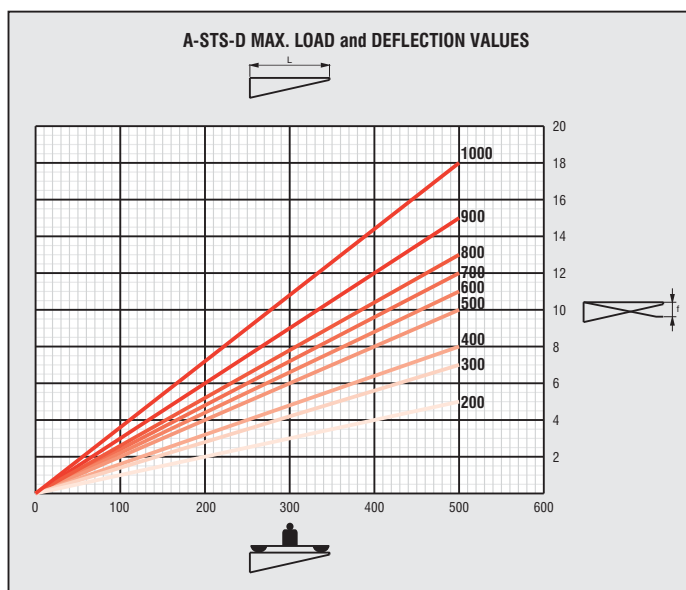
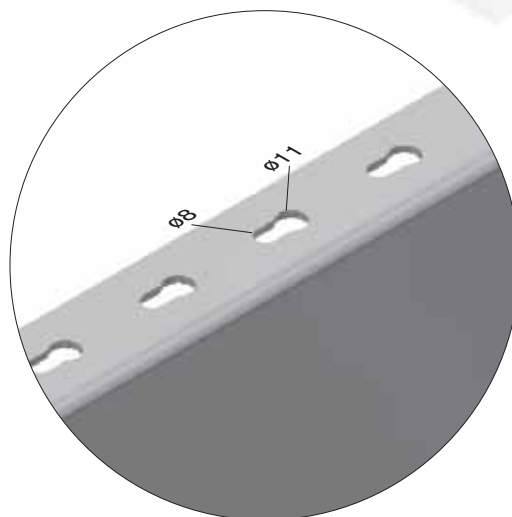
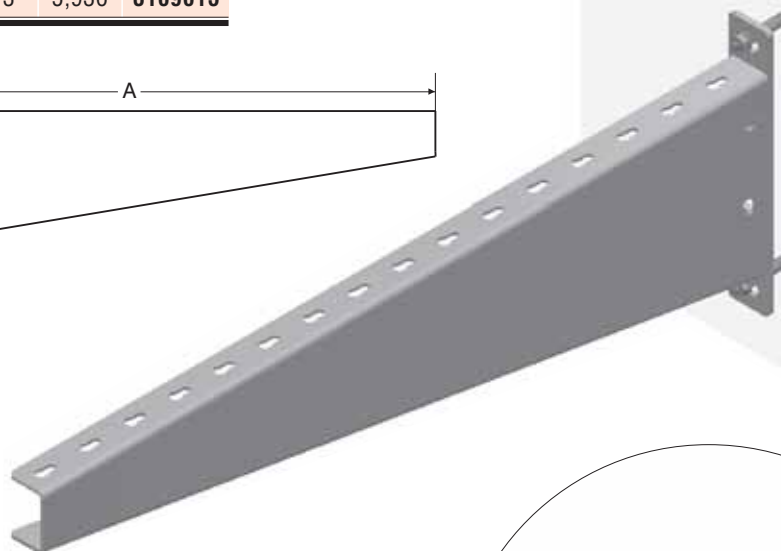
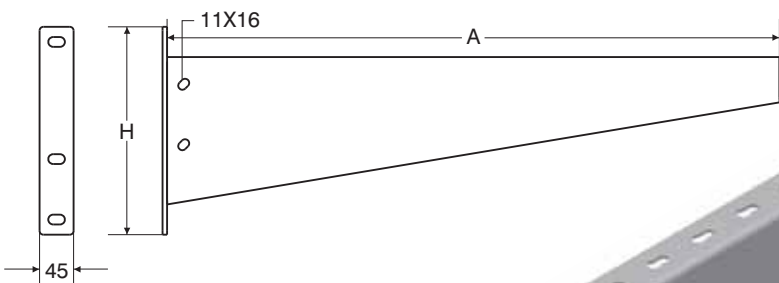
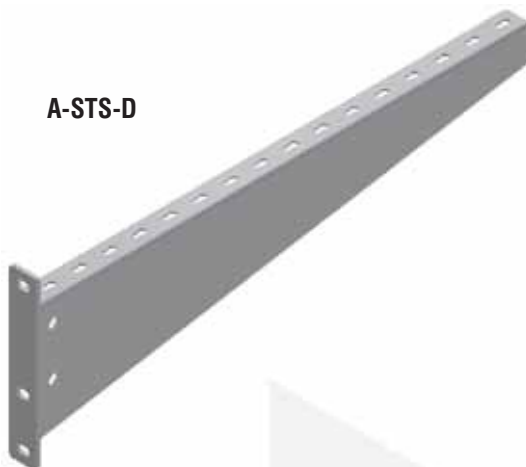
■ Material weights may vary by $\pm 10\%$

▶▶ HEAVY DUTY SUPPORTS

Hot Dip Galvanized (TS EN ISO 1461)

Description	A (mm)	H (mm)	T (mm)	Weight (kg./pc.)	Order Code
A-ST5-D 210	210	190	3	1,149	3109007
A-ST5-D 310	310	190	3	1,586	3109008
A-ST5-D 410	410	240	3	2,190	3109009
A-ST5-D 510	510	240	3	2,869	3109010
A-ST5-D 610	610	240	3	3,455	3109011
A-ST5-D 710	710	290	3	4,431	3109012
A-ST5-D 810	810	290	3	4,933	3109013
A-ST5-D 910	910	290	3	5,435	3109014
A-ST5-D 1010	1010	290	3	5,936	3109015

A-ST5-D



	Max. load value allowed in kg
	Console length (mm)
	Under the console load allowed, the bending (mm) at the end of the hanger support

Load values in Tables have been defined on the basis of the TS EN 61537 Standard.

■ Please indicate order code in your orders.

■ Please contact us for special size.

■ Material weights may vary by ± 10%

US

►► UNIVERSAL SUPPORT FITTINGS

Pre-galvanized (TS EN 10346 - TS EN 10143)

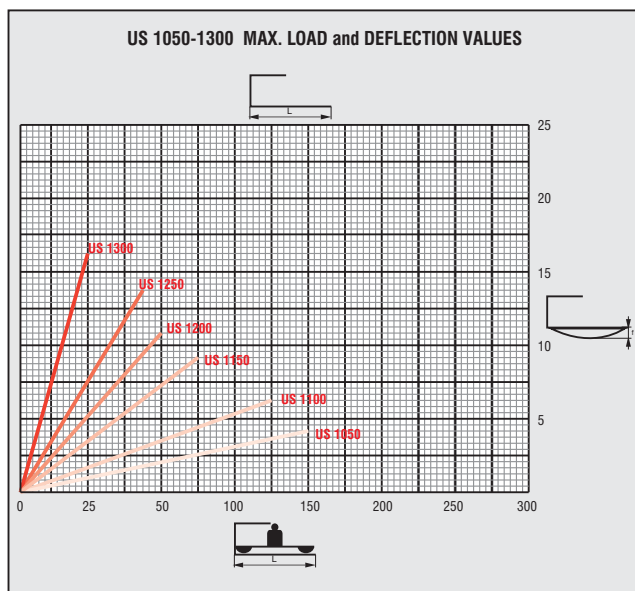
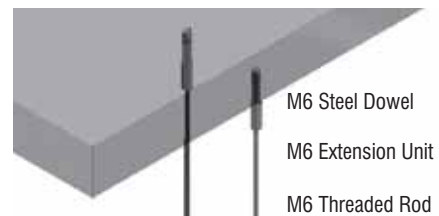
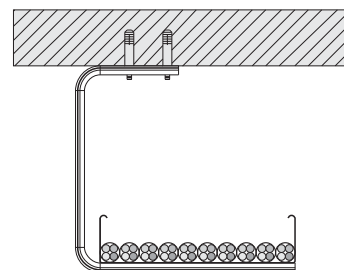
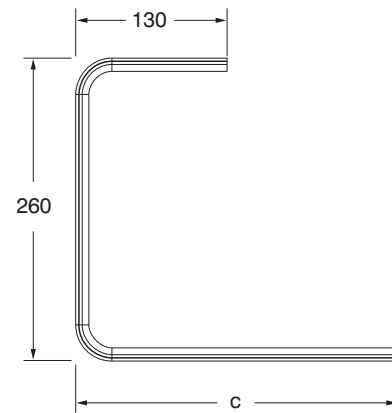
Description	C (mm)	T (mm)	Weight (kg./pc)	Order Code	Pack (pc.)
US 1050	80	2	0,500	3008041	10
US 1100	130	2	0,550	3008043	10
US 1150	180	2	0,611	3008045	10
US 1200	230	2	0,666	3008047	10
US 1250	280	2	0,721	3008049	10
US 1300	330	2	0,777	3008051	10



►► UNIVERSAL SUPPORT FITTINGS

Hot Dip Galvanized (TS EN ISO 1461)

Description	C (mm)	T (mm)	Weight (kg./pc)	Order Code	Pack (pc.)
US 1050	80	2	0,550	3008042	10
US 1100	130	2	0,605	3008044	10
US 1150	180	2	0,672	3008046	10
US 1200	230	2	0,733	3008048	10
US 1250	280	2	0,793	3008050	10
US 1300	330	2	0,855	3008052	10



	Max. load value allowed in kg
	Console length (mm)
	Under the console load allowed, the bending (mm) at the end of the hanger support

Load values in Tables have been defined on the basis of the TS EN 61537 Standard.

■ Please indicate order code in your orders.

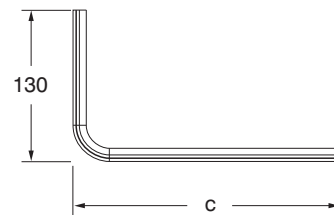
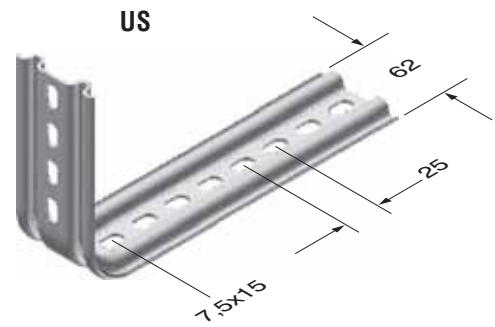
■ Please contact us for special size.

■ Material weights may vary by $\pm 10\%$

►► UNIVERSAL SUPPORT FITTINGS

Pre-galvanized (TS EN 10346 - TS EN 10143)

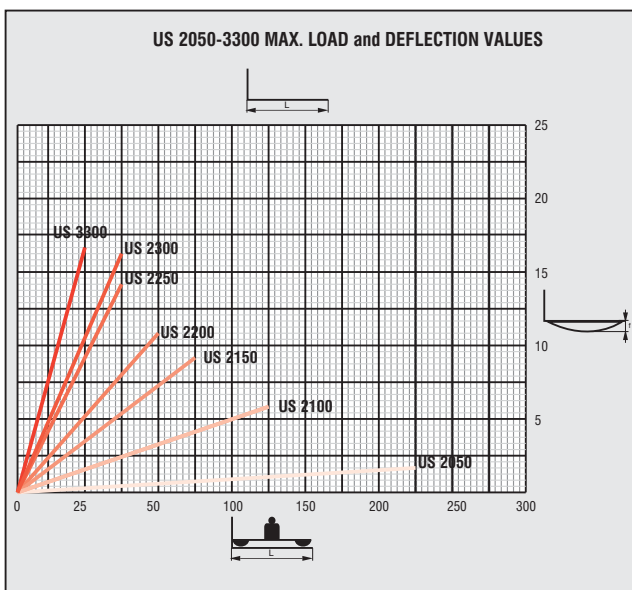
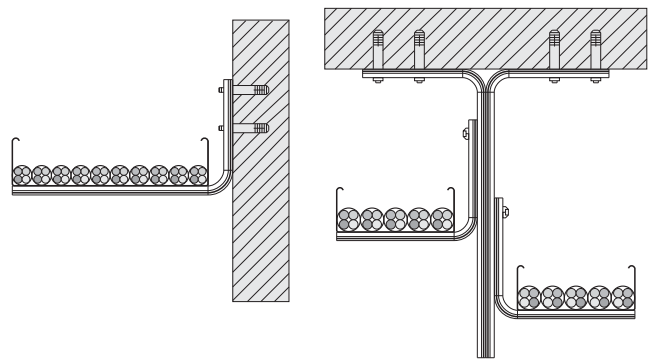
Description	C (mm)	T (mm)	Weight (kg./pc)	Order Code	Pack (pc.)
US 2050	80	2	0,220	3008053	10
US 2100	130	2	0,275	3008055	10
US 2150	180	2	0,330	3008057	10
US 2200	230	2	0,386	3008059	10
US 2250	280	2	0,441	3008061	10
US 2300	330	2	0,470	3008063	10
US 3300	380	2	0,496	3008065	10


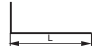
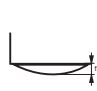


►► UNIVERSAL SUPPORT FITTINGS

Hot Dip Galvanized (TS EN ISO 1461)

Description	C (mm)	T (mm)	Weight (kg./pc)	Order Code	Pack (pc.)
US 2050	80	2	0,242	3008054	10
US 2100	130	2	0,303	3008056	10
US 2150	180	2	0,363	3008058	10
US 2200	230	2	0,425	3008060	10
US 2250	280	2	0,485	3008062	10
US 2300	330	2	0,517	3008064	10
US 3300	380	2	0,546	3008066	10



	Max. load value allowed in kg
	Console length (mm)
	Under the console load allowed, the bending (mm) at the end of the hanger support

Load values in Tables have been defined on the basis of the TS EN 61537 Standard.

■ Please indicate order code in your orders.

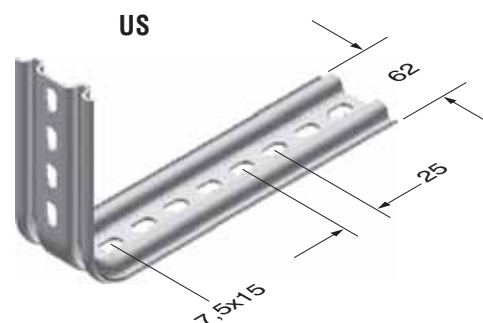
■ Please contact us for special size.

■ Material weights may vary by $\pm 10\%$

►► UNIVERSAL SUPPORT FITTINGS

Pre-galvanized (TS EN 10346 - TS EN 10143)

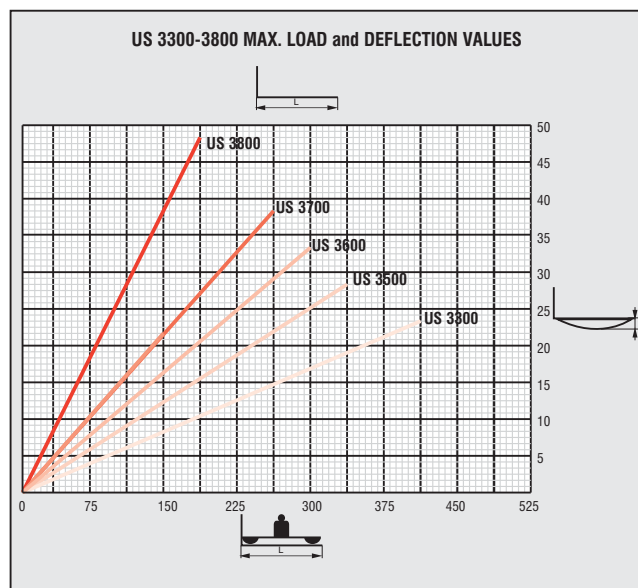
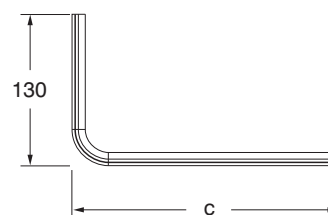
Description	C (mm)	T (mm)	Weight (kg./pc)	Order Code	Pack (pc.)
US 3400	480	2	0,662	3008067	10
US 3500	580	2	0,773	3008069	10
US 3600	680	2	0,883	3008071	10
US 3700	780	2	0,994	3008073	10
US 3800	880	2	1,101	3008075	10


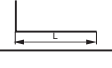



►► UNIVERSAL SUPPORT FITTINGS

Hot Dip Galvanized (TS EN ISO 1461)

Description	C (mm)	T (mm)	Weight (kg./pc)	Order Code	Pack (pc.)
US 3400	480	2	0,728	3008068	10
US 3500	580	2	0,850	3008070	10
US 3600	680	2	0,971	3008072	10
US 3700	780	2	1,093	3008074	10
US 3800	880	2	1,211	3008076	10



	Max. load value allowed in kg
	Console length (mm)
	Under the console load allowed, the bending (mm) at the end of the hanger support

Load values in Tables have been defined on the basis of the TS EN 61537 Standard.

■ Please indicate order code in your orders.

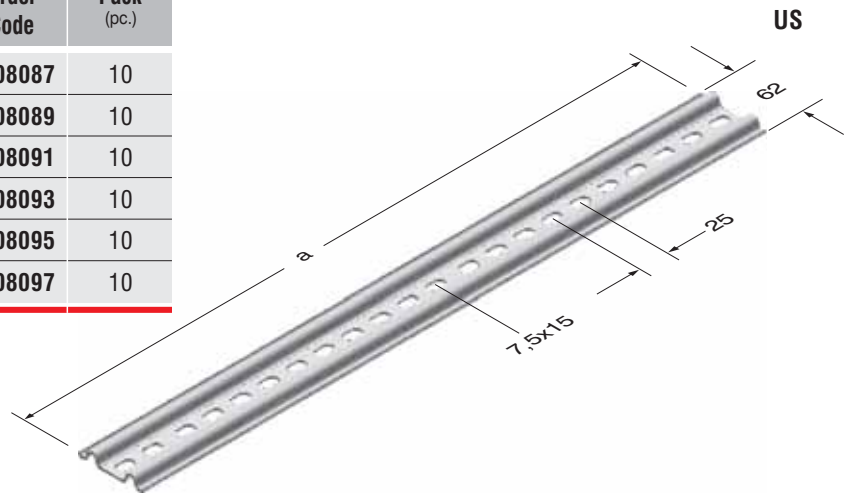
■ Please contact us for special size.

■ Material weights may vary by $\pm 10\%$

►► UNIVERSAL SUPPORT FITTINGS

Pre-galvanized (TS EN 10346 - TS EN 10143)

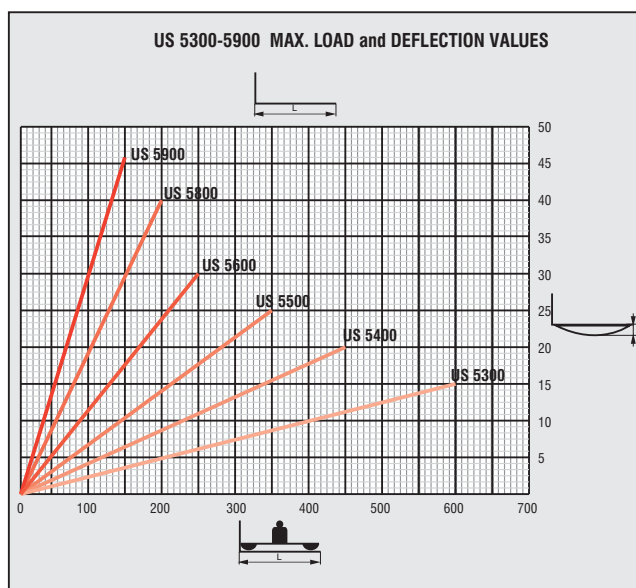
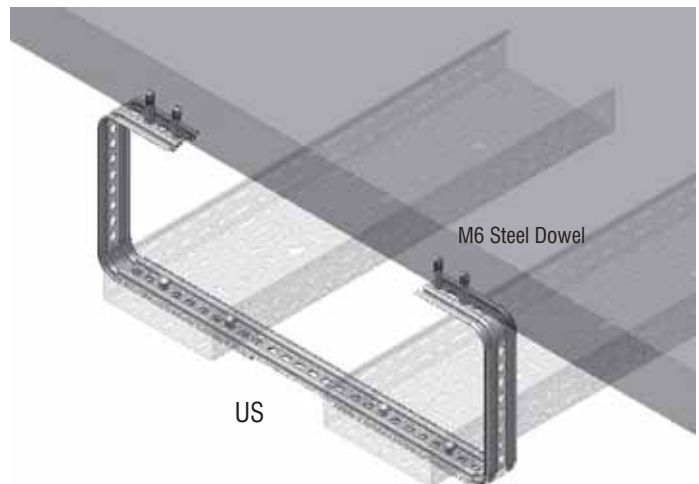
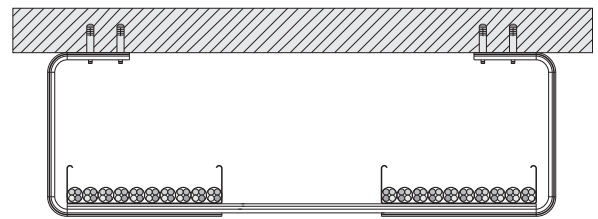
Description	A (mm)	T (mm)	Weight (kg./pc)	Order Code	Pack (pc.)
US 5300	300	2	0,322	3008087	10
US 5400	400	2	0,429	3008089	10
US 5500	500	2	0,536	3008091	10
US 5600	600	2	0,644	3008093	10
US 5800	800	2	0,864	3008095	10
US 5900	900	2	0,972	3008097	10



►► UNIVERSAL SUPPORT FITTINGS

Hot Dip Galvanized (TS EN ISO 1461)

Description	A (mm)	T (mm)	Weight (kg./pc)	Order Code	Pack (pc.)
US 5300	300	2	0,354	3008088	10
US 5400	400	2	0,472	3008090	10
US 5500	500	2	0,590	3008092	10
US 5600	600	2	0,708	3008094	10
US 5800	800	2	0,951	3008096	10
US 5900	900	2	1,069	3008098	10



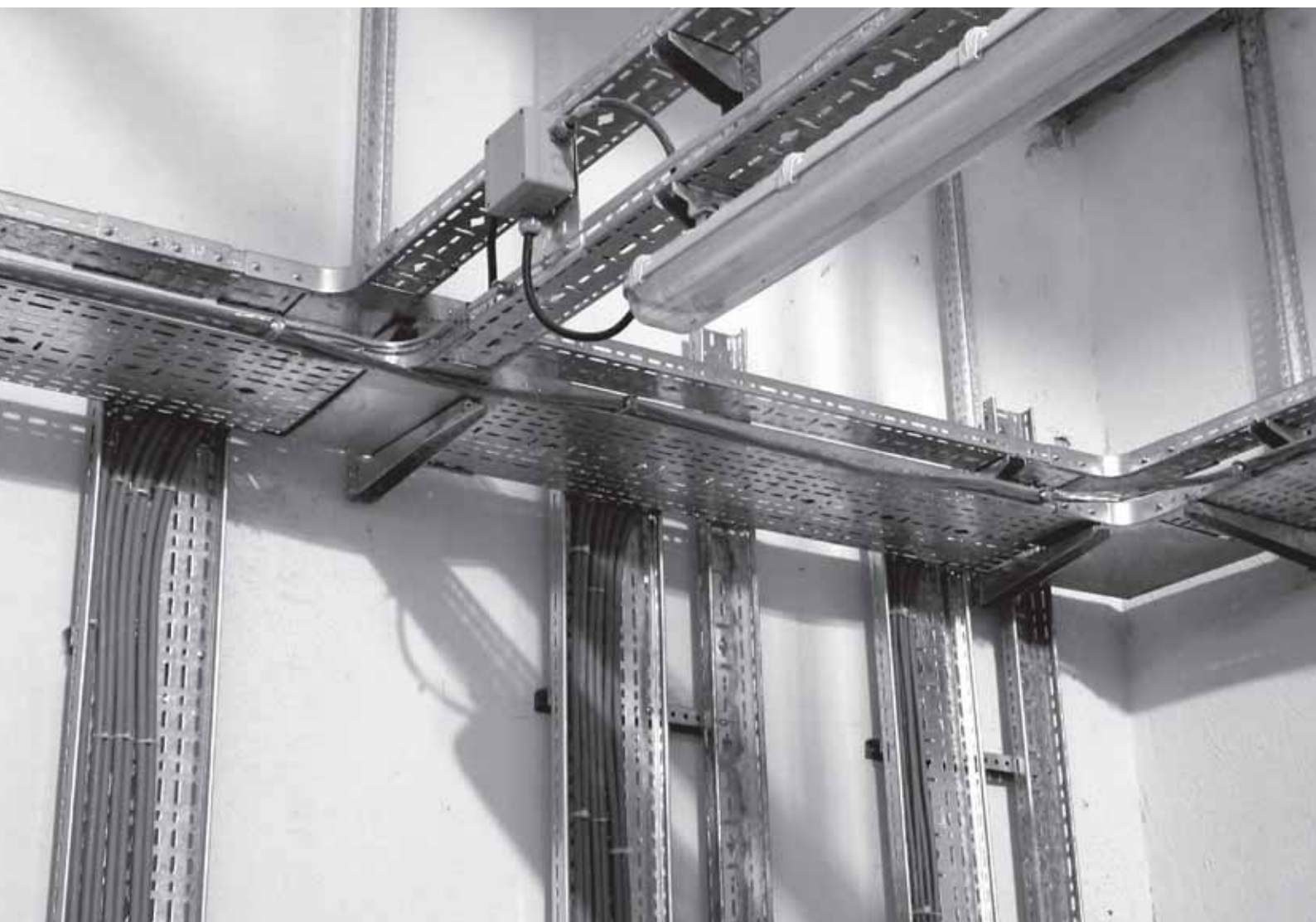
	Max. load value allowed in kg
	Console length (mm)
	Under the console load allowed, the bending (mm) at the end of the hanger support

Load values in Tables have been defined on the basis of the TS EN 61537 Standard.

■ Please indicate order code in your orders.

■ Please contact us for special size.

■ Material weights may vary by $\pm 10\%$



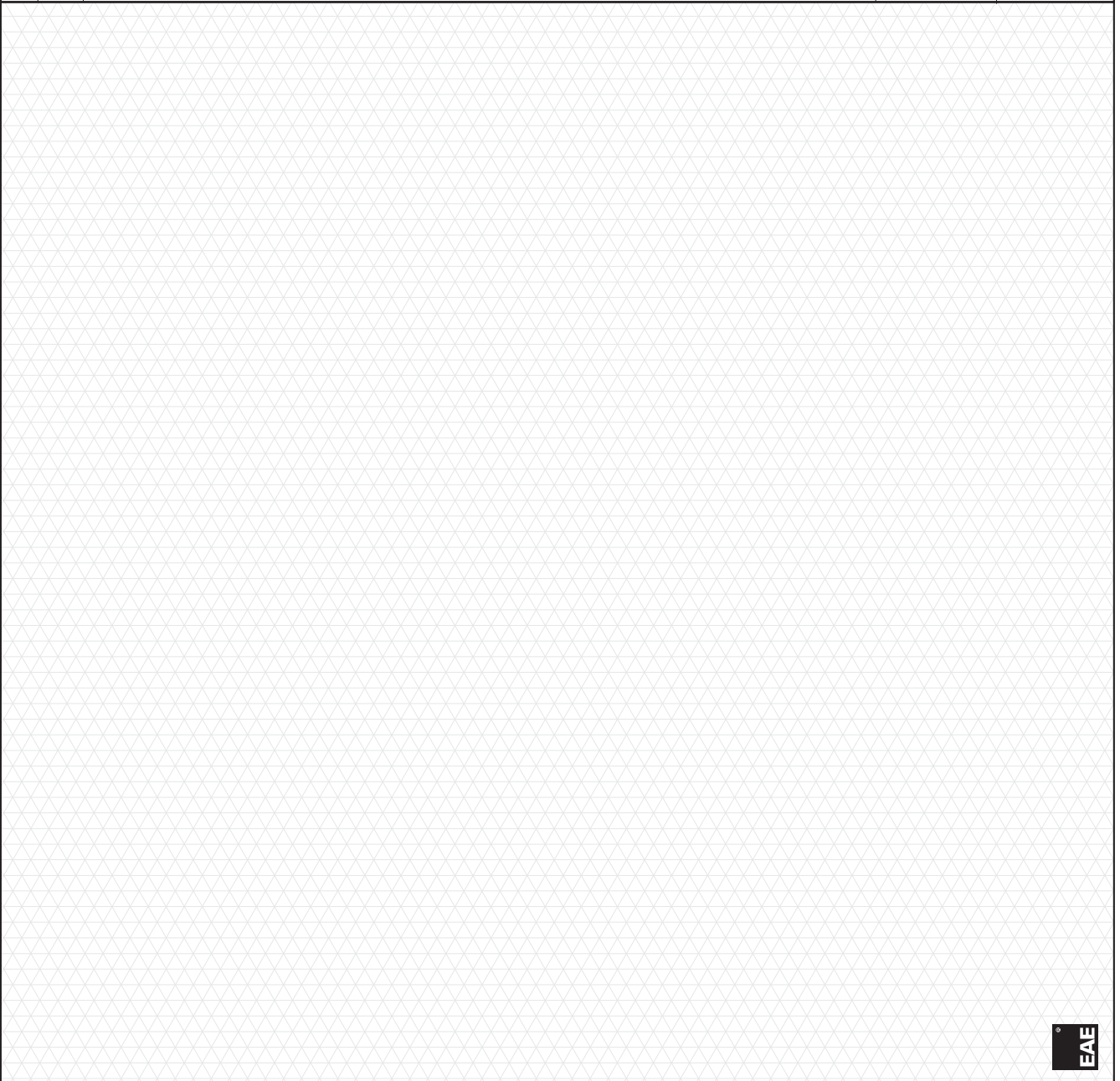




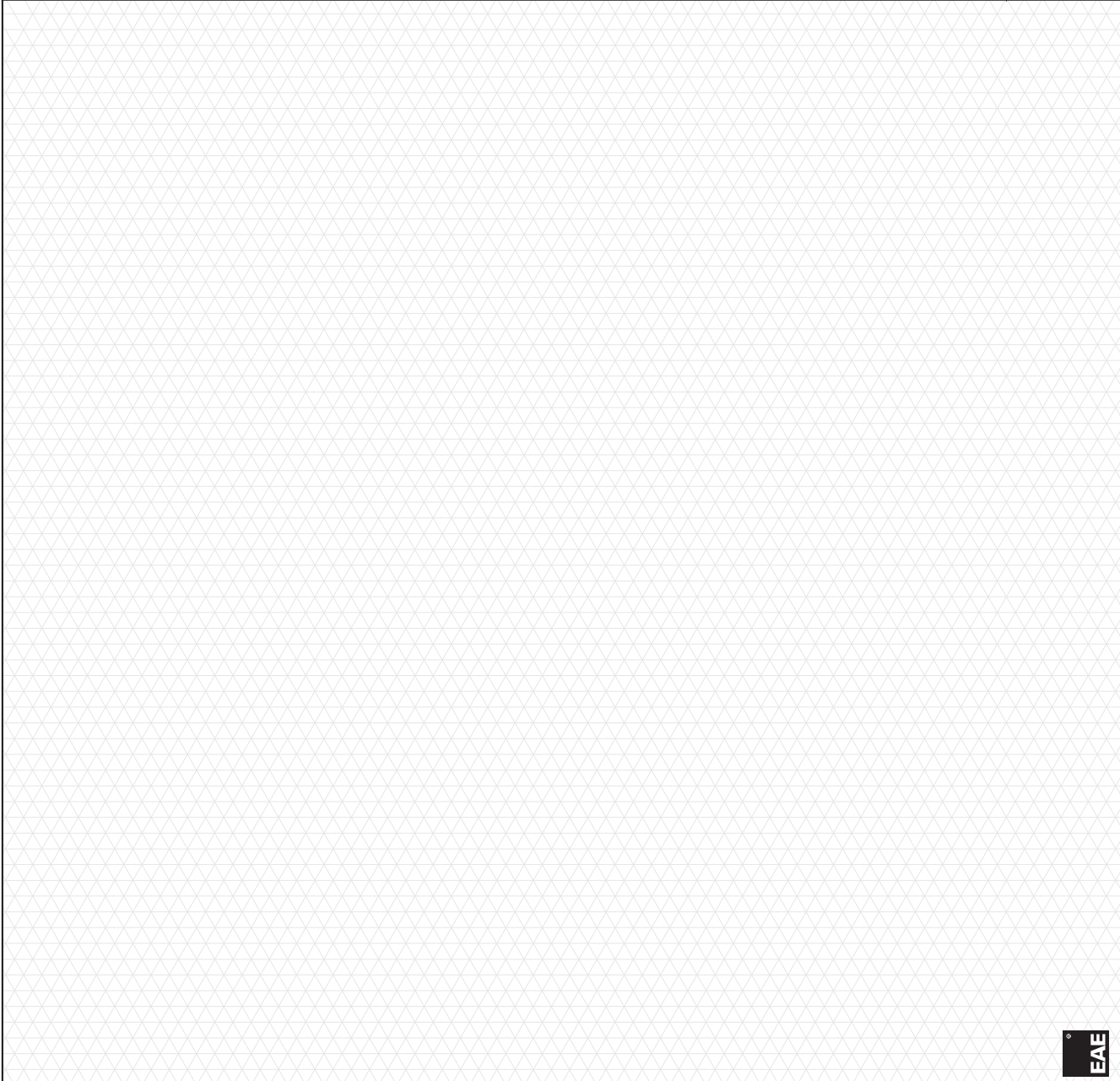




▶▶ **PROJECT DESIGN FORM**

Item	Component List Component	Quantity
Company : Project : Project No :		
Prepared by Name : Date : Signature:		
		

▶▶ **PROJECT DESIGN FORM**

Item	Component List Component	Quantity
Company : Project : Project No :		
Prepared by Name : Date : Signature:		
		



Please duplicate this page for your own use.

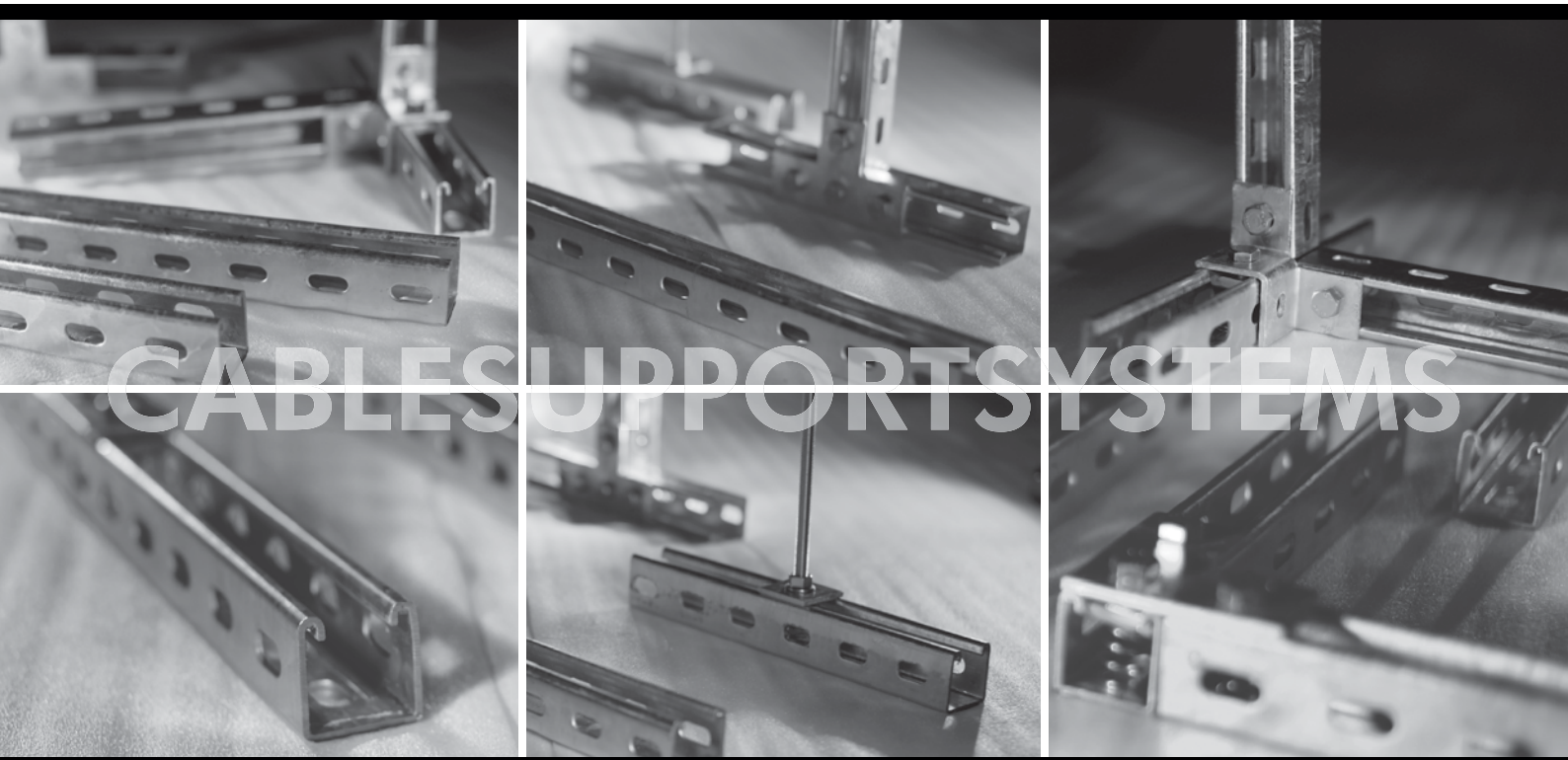
E-LINE BR

CABLE SUPPORT SYSTEMS

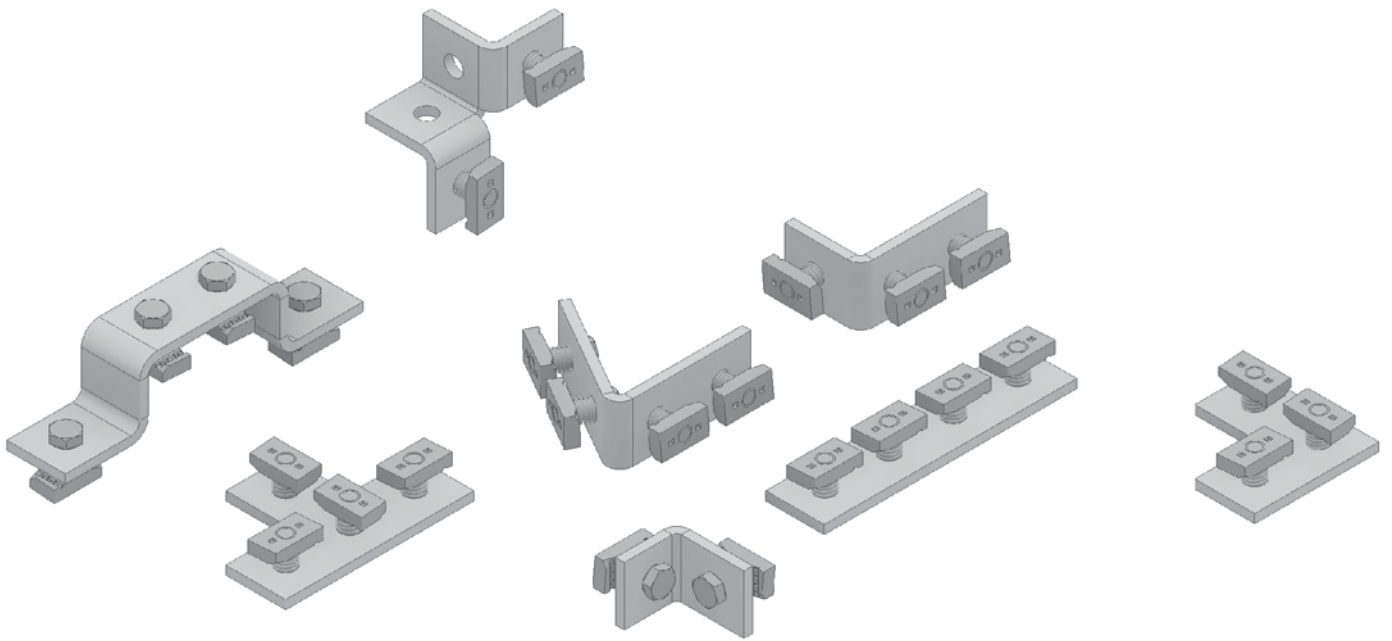


Binrak Strut Support System

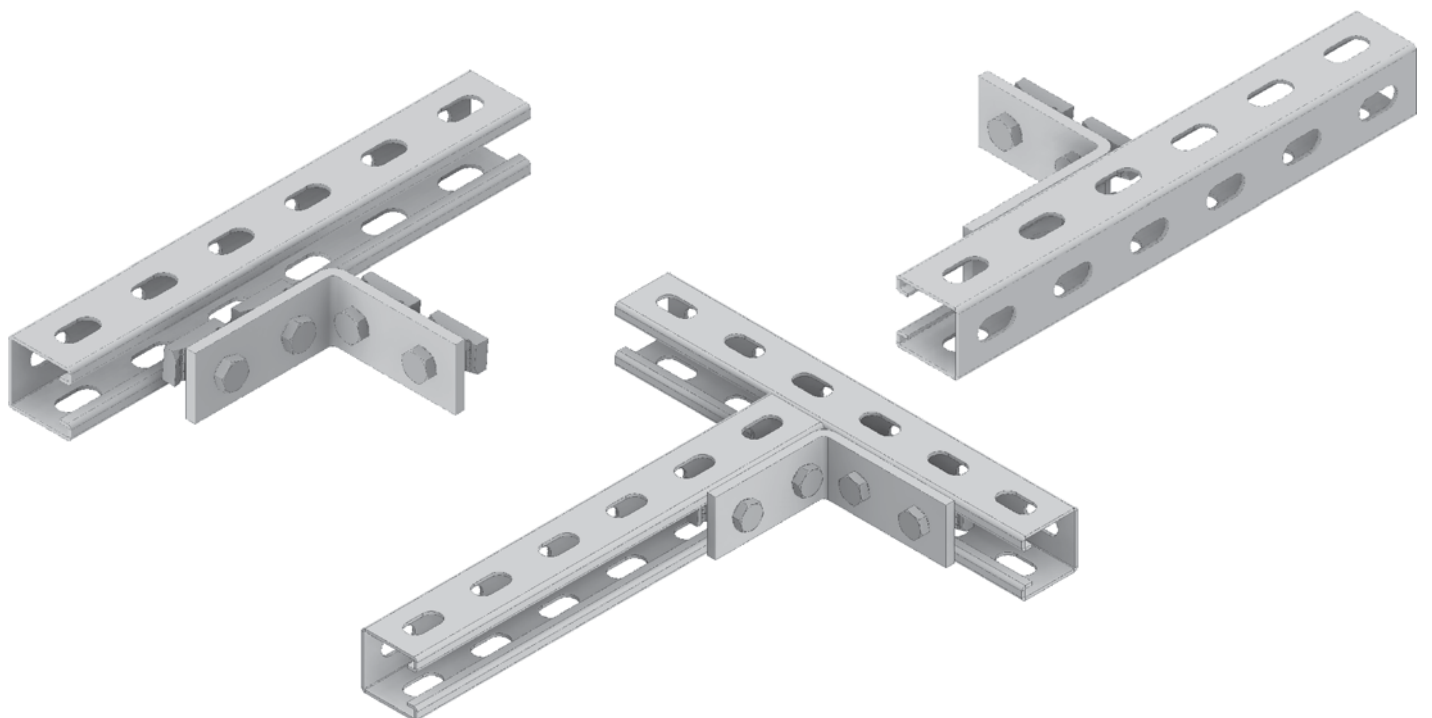




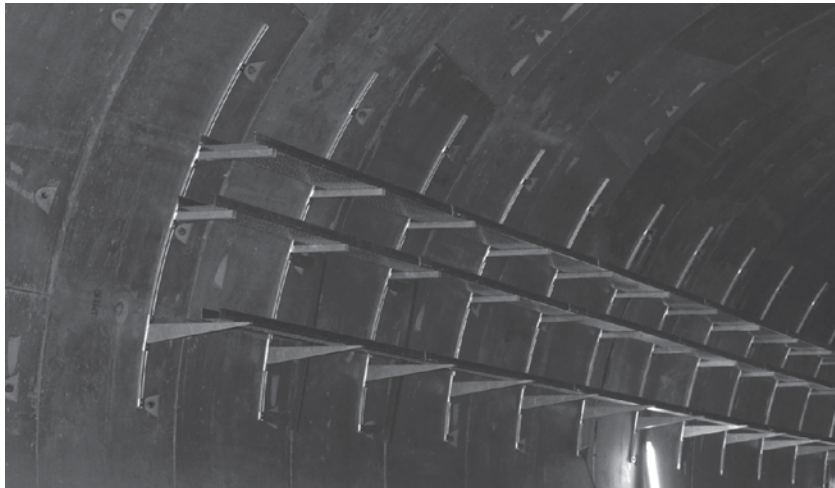
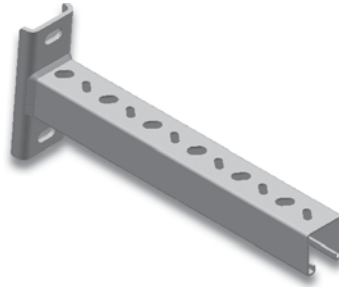
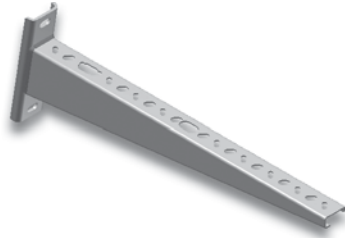
CABLE SUPPORT SYSTEMS



CABLESUPPORTSYSTEMS



▶▶ **ANGLED BINRAK CONSOLE APPLICATION**





CONTENTS

2-11	Binrak Channel
12	Binrak Double Channel
13-14	Maximum Load For Binrak Profiles
15-20	Binrak Fitting Accessories
21-27	Binrak Modular Fitting Accessories
28	Binrak Cross Connectors
29-31	Binrak Fitting Accessories
32-35	Binrak Support With Holes
36	Heavy Duty Support
37	Adjustable Angle Brackets
38	Sample Mounting Applications

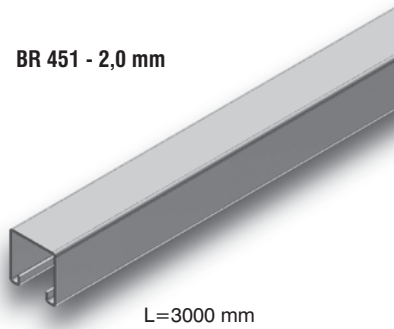
CABLE SUPPORT SYSTEMS

►► BINRAK CHANNEL (41x41mm)

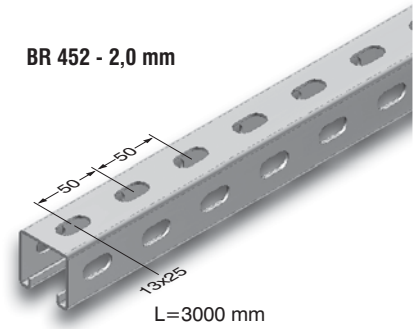
Pre-galvanized (TS EN 10346 - TS EN 10143)

Description	T (mm)	Weight (kg./m.)	Order Code
BR 451 BINRAK	2	2,214	3005459
BR 452 BINRAK	2	1,936	3005312
BR 453 BINRAK	2	2,122	3006383

BR 451 - 2,0 mm



BR 452 - 2,0 mm

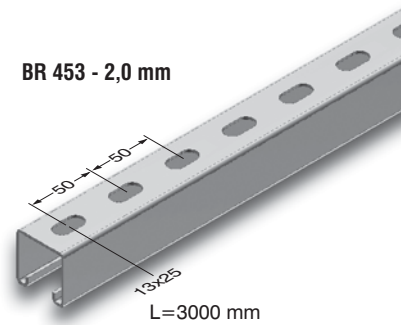


►► BINRAK CHANNEL (41x41mm)

Hot Dip Galvanized (TS EN ISO 1461)

Description	T (mm)	Weight (kg./m.)	Order Code
BR 451 BINRAK	2	2,435	3005460
BR 452 BINRAK	2	2,130	3005313
BR 453 BINRAK	2	2,334	3006384

BR 453 - 2,0 mm

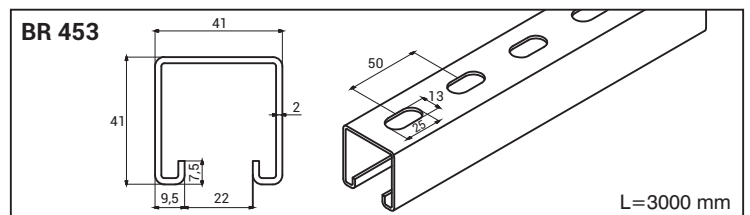
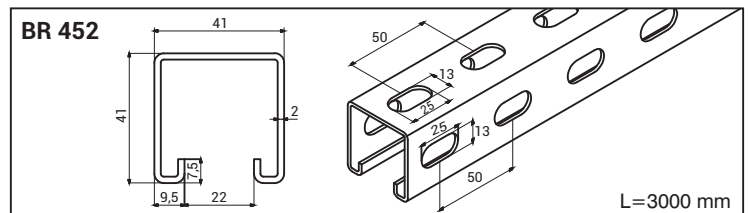
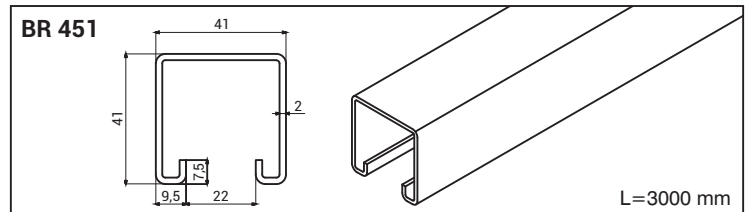


Profile Cross-sectional Properties

Product	X-X				Y-Y		
	Cross-sectional area (cm ²)	Moment of Inertia I (cm ⁴)	Section Modulus S (cm ³)	Radius Of Gyration R (cm)	Moment of Inertia I (cm ⁴)	Section Modulus S (cm ³)	Radius Of Gyration R (cm)
BR 451	2,80	6,27	3,05	1,49	7,75	3,78	1,66
BR 452							
BR 453							

SAFE WORKING LOAD

L (mm)	Deflexion (mm)	Point	Distributed
		F (kN)	F (kN)
500	2,50	3,00	4,80
750	3,75	2,35	3,76
1000	5,00	1,80	2,88
1250	6,25	1,45	2,32
1500	7,50	1,20	1,92
1750	8,75	0,95	1,52
2000	10,00	0,72	1,15
2250	11,25	0,55	0,88
2500	12,50	0,44	0,70
2750	13,75	0,35	0,56
3000	15,00	0,30	0,48



■ Maximum deflexion L/200 value is not exceeded in the indicated L (mm) size.

■ Please indicate the order code in your orders.

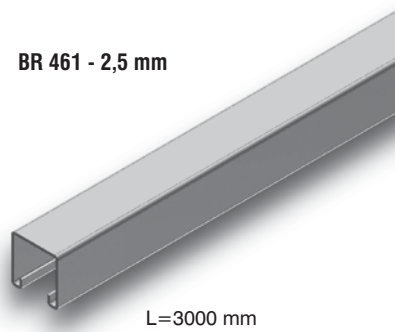
■ Please contact us for your orders with customized sizes.

■ Material weights may vary by ± 10%

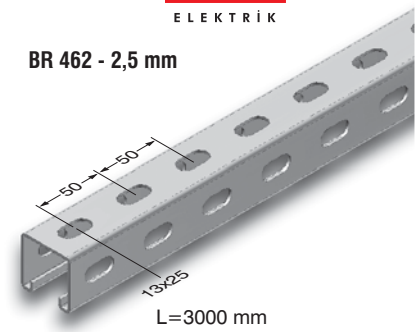
►► **BINRAK CHANNEL (41x41mm)**
Pre-galvanized (TS EN 10346 - TS EN 10143)

Description	T (mm)	Weight (kg./m.)	Order Code
BR 461 BINRAK	2,5	2,690	3005461
BR 462 BINRAK	2,5	2,341	3005314
BR 463 BINRAK	2,5	2,578	3006385

BR 461 - 2,5 mm



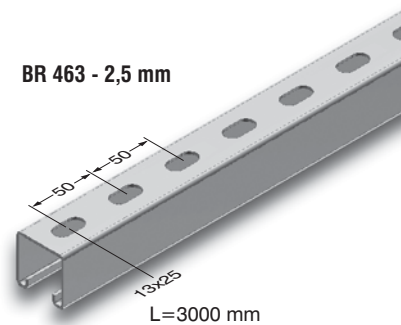
BR 462 - 2,5 mm



►► **BINRAK CHANNEL (41x41mm)**
Hot Dip Galvanized (TS EN ISO 1461)

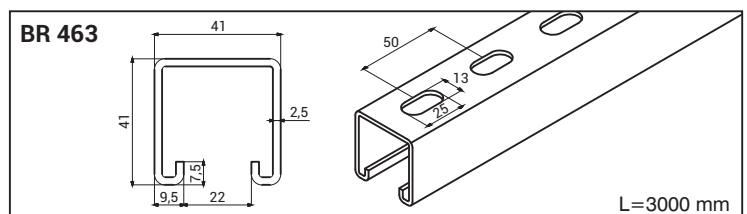
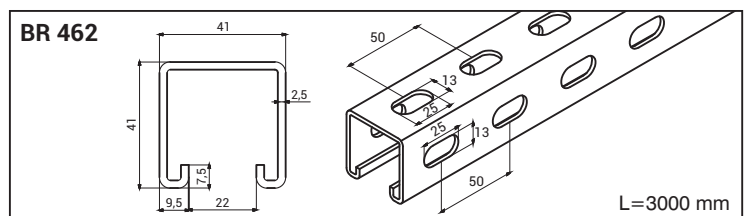
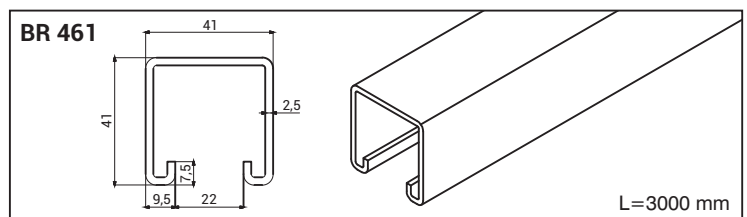
Description	T (mm)	Weight (kg./m.)	Order Code
BR 461 BINRAK	2,5	2,959	3005462
BR 462 BINRAK	2,5	2,575	3005315
BR 463 BINRAK	2,5	2,836	3006386

BR 463 - 2,5 mm



Profile Cross-sectional Properties		X-X			Y-Y		
Product	Cross-sectional area (cm ²)	Moment of Inertia I (cm ⁴)	Section Modulus S (cm ³)	Radius Of Gyration R (cm)	Moment of Inertia I (cm ⁴)	Section Modulus S (cm ³)	Radius Of Gyration R (cm)
BR 461	3,40	7,36	3,59	1,47	9,26	4,51	1,64
BR 462							
BR 463							

SAFE WORKING LOAD			
L (mm)	Deflexion (mm)	Point	Distributed
		F (kN)	F (kN)
500	2,50	3,20	5,12
750	3,75	2,55	4,08
1000	5,00	2,00	3,20
1250	6,25	1,55	2,48
1500	7,50	1,20	1,92
1750	8,75	1,02	1,63
2000	10,00	0,90	1,44
2250	11,25	0,74	1,18
2500	12,50	0,60	0,96
2750	13,75	0,50	0,80
3000	15,00	0,40	0,64



■ Maximum deflexion L/200 value is not exceeded in the indicated L (mm) size.

■ Please indicate the order code in your orders.

■ Please contact us for your orders with customized sizes.

■ Material weights may vary by ± 10%

►► BINRAK CHANNEL (41x41mm)

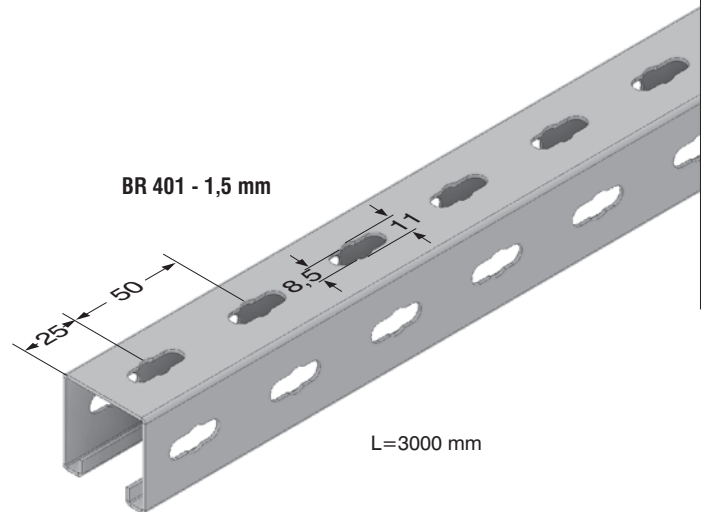
Pre-galvanized (TS EN 10346 - TS EN 10143)

Description	T (mm)	Weight (kg./m.)	Order Code
BR 401 BINRAK	1,5	1,587	3008328

►► BINRAK CHANNEL (41x41mm)

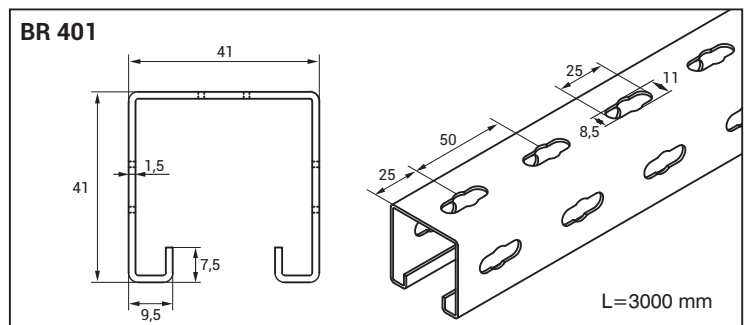
Hot Dip Galvanized (TS EN ISO 1461)

Description	T (mm)	Weight (kg./m.)	Order Code
BR 401 BINRAK	1,5	1,745	3008329



Profile Cross-sectional Properties		X-X			Y-Y		
Product	Cross-sectional area (cm ²)	Moment of Inertia I (cm ⁴)	Section Modulus S (cm ³)	Radius Of Gyration R (cm)	Moment of Inertia I (cm ⁴)	Section Modulus S (cm ³)	Radius Of Gyration R (cm)
BR 401	2,17	5,08	2,47	1,52	6,13	5,83	1,68

SAFE WORKING LOAD			
L (mm)	Deflexion (mm)	Point F (kN)	Distributed F (kN)
500	2,50	1,40	2,24
750	3,75	1,30	2,08
1000	5,00	1,20	1,92
1250	6,25	1,06	1,69
1500	7,50	0,90	1,44
1750	8,75	0,68	1,08
2000	10,00	0,50	0,80
2250	11,25	0,38	0,60
2500	12,50	0,30	0,48
2750	13,75	0,24	0,38
3000	15,00	0,20	0,32



■ Maximum deflexion L/200 value is not exceeded in the indicated L (mm) size.

■ Please indicate the order code in your orders.

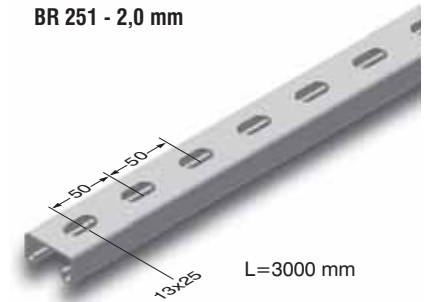
■ Please contact us for your orders with customized sizes.

■ Material weights may vary by ± 10%

►► **BINRAK CHANNEL (41x21mm)**
Pre-galvanized (TS EN 10346 - TS EN 10143)

Description	T (mm)	Weight (kg./m.)	Order Code
BR 251 BINRAK	2,0	1,477	3006387
BR 252 BINRAK	2,0	1,568	3006391

BR 251 - 2,0 mm



►► **BINRAK CHANNEL (41x21mm)**
Hot Dip Galvanized (TS EN ISO 1461)

Description	T (mm)	Weight (kg./m.)	Order Code
BR 251 BINRAK	2,0	1,624	3006388
BR 252 BINRAK	2,0	1,725	3006392

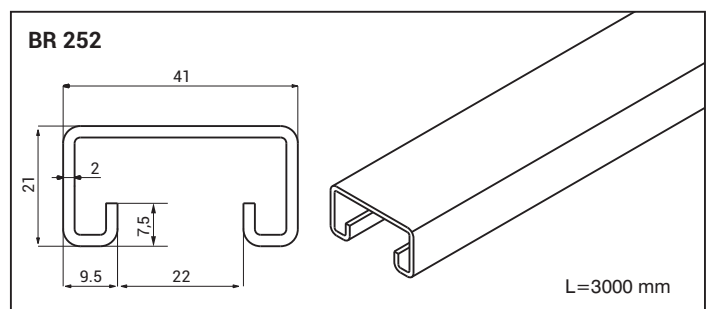
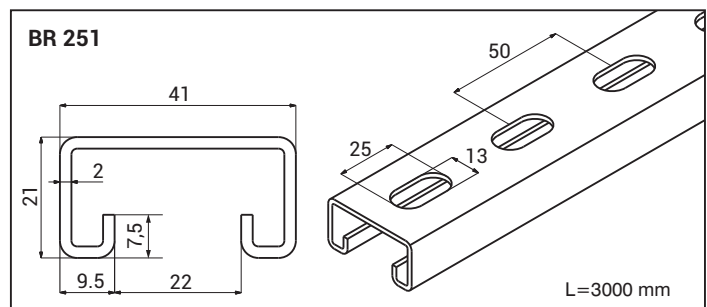
BR 252 - 2,0 mm



L=3000 mm

Profile Cross-sectional Properties	X-X				Y-Y		
	Product	Cross-sectional area (cm ²)	Moment of Inertia I (cm ⁴)	Section Modulus S (cm ³)	Radius Of Gyration R (cm)	Moment of Inertia I (cm ⁴)	Section Modulus S (cm ³)
BR 251 - BR 252	1,99	1,17	1,11	0,76	4,70	4,47	1,53

SAFE WORKING LOAD			
L (mm)	Deflexion (mm)	Point F (kN)	Distributed F (kN)
500	2,50	1,10	1,76
750	3,75	0,80	1,28
1000	5,00	0,54	0,86
1250	6,25	0,36	0,57
1500	7,50	0,25	0,40
1750	8,75	0,17	0,27
2000	10,00	0,12	0,23
2250	11,25	0,10	0,16
2500	12,50	0,09	0,14
2750	13,75	0,08	0,12
3000	15,00	0,07	0,11



■ Maximum deflexion L/200 value is not exceeded in the indicated L (mm) size.

■ Please indicate the order code in your orders.

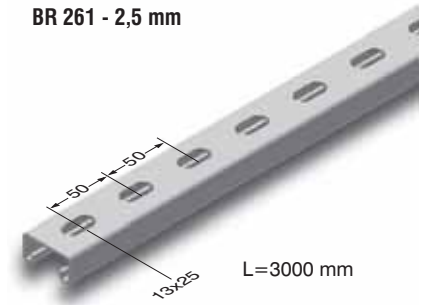
■ Please contact us for your orders with customized sizes.

■ Material weights may vary by ± 10%

►► **BINRAK CHANNEL (41x21mm)**
Pre-galvanized (TS EN 10346 - TS EN 10143)

Description	T (mm)	Weight (kg./m.)	Order Code
BR 261 BINRAK	2,5	1,776	3008372
BR 262 BINRAK	2,5	1,888	3006393

BR 261 - 2,5 mm



►► **BINRAK CHANNEL (41x21mm)**
Hot Dip Galvanized (TS EN ISO 1461)

Description	T (mm)	Weight (kg./m.)	Order Code
BR 261 BINRAK	2,5	1,952	3008373
BR 262 BINRAK	2,5	2,077	3006394

BR 262 - 2,5 mm

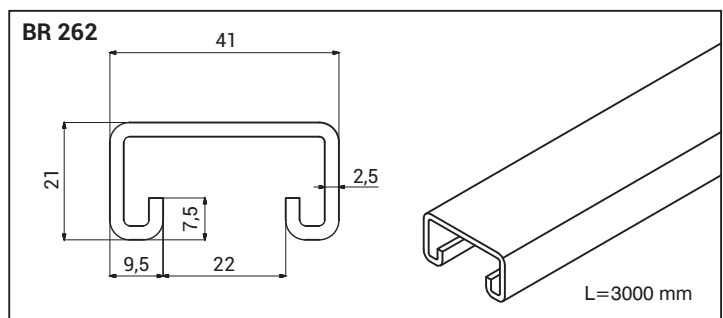
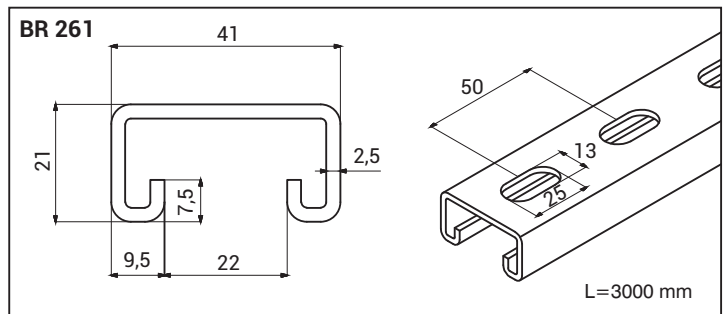


L=3000 mm

Profile Cross-sectional Properties	X-X				Y-Y		
	Cross-sectional area (cm ²)	Moment of Inertia I (cm ⁴)	Section Modulus S (cm ³)	Radius Of Gyration R (cm)	Moment of Inertia I (cm ⁴)	Section Modulus S (cm ³)	Radius Of Gyration R (cm)
BR 261 - BR 262	2,40	1,32	1,25	0,74	5,54	5,27	1,51

SAFE WORKING LOAD

L (mm)	Deflexion (mm)	Point	Distributed
		F (kN)	F (kN)
500	2,50	1,20	1,92
750	3,75	0,88	1,40
1000	5,00	0,60	0,96
1250	6,25	0,44	0,70
1500	7,50	0,32	0,51
1750	8,75	0,23	0,36
2000	10,00	0,17	0,27
2250	11,25	0,14	0,22
2500	12,50	0,11	0,17
2750	13,75	0,09	0,14
3000	15,00	0,08	0,12



■ Maximum deflexion L/200 value is not exceeded in the indicated L (mm) size.

■ Please indicate the order code in your orders.

■ Please contact us for your orders with customized sizes.

■ Material weights may vary by ± 10%

►► BINRAK CHANNEL (41x21mm)

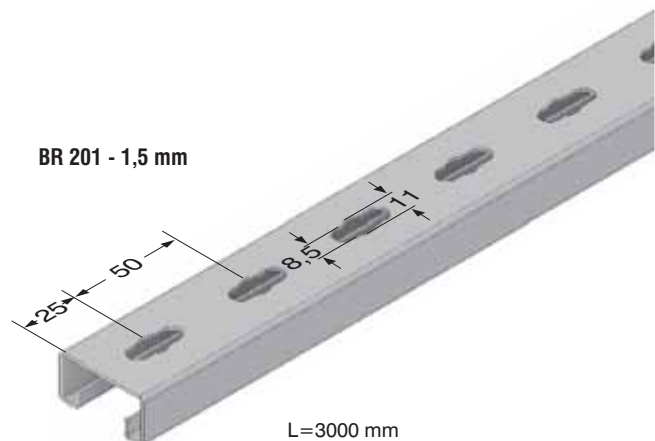
Pre-galvanized (TS EN 10346 - TS EN 10143)

Description	T (mm)	Weight (kg./m.)	Order Code
BR 201 BINRAK	1,5	1,207	3008330

►► BINRAK CHANNEL (41x21mm)

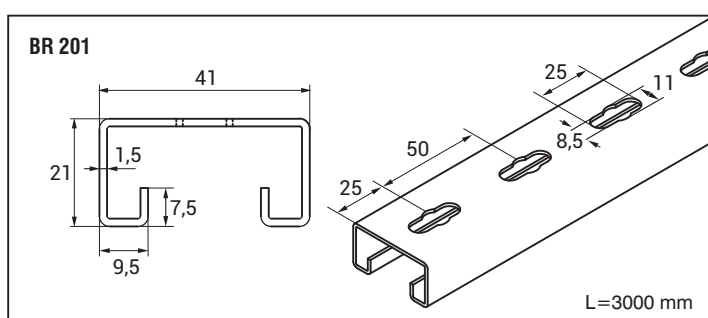
Hot Dip Galvanized (TS EN ISO 1461)

Description	T (mm)	Weight (kg./m.)	Order Code
BR 201 BINRAK	1,5	1,327	3008331



Profile Cross-sectional Properties		X-X			Y-Y		
Product	Cross-sectional area (cm ²)	Moment of Inertia I (cm ⁴)	Section Modulus S (cm ³)	Radius Of Gyration R (cm)	Moment of Inertia I (cm ⁴)	Section Modulus S (cm ³)	Radius Of Gyration R (cm)
BR 201	1,60	1,01	0,96	0,79	3,89	3,70	1,55

SAFE WORKING LOAD			
L (mm)	Deflexion (mm)	Point F (kN)	Distributed F (kN)
500	2,50	0,72	1,15
750	3,75	0,52	0,83
1000	5,00	0,35	0,56
1250	6,25	0,27	0,43
1500	7,50	0,19	0,30
1750	8,75	0,13	0,20
2000	10,00	0,09	0,14



■ Maximum deflexion L/200 value is not exceeded in the indicated L (mm) size.

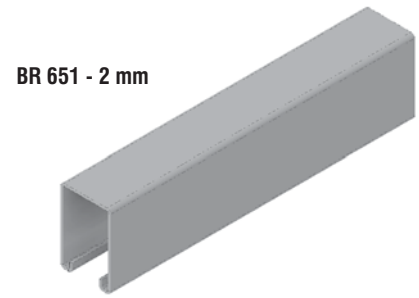
■ Please indicate the order code in your orders.

■ Please contact us for your orders with customized sizes.

■ Material weights may vary by ± 10%

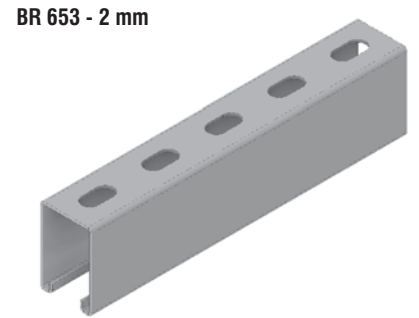
►► BINRAK CHANNEL (41x61mm)
Pre-galvanized (TS EN 10346 - TS EN 10143)

Description	T (mm)	Weight (kg./m.)	Order Code
BR 651 BINRAK	2	2,779	3184140
BR 653 BINRAK	2	2,668	3184138



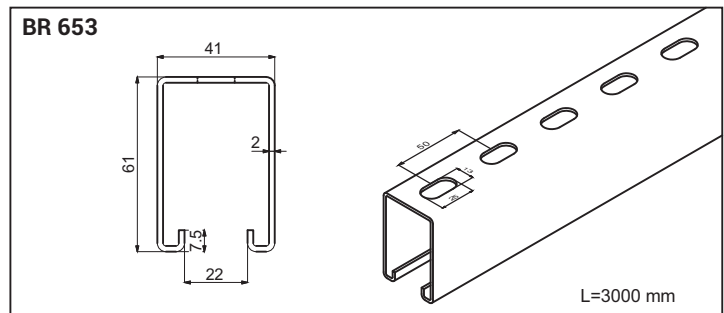
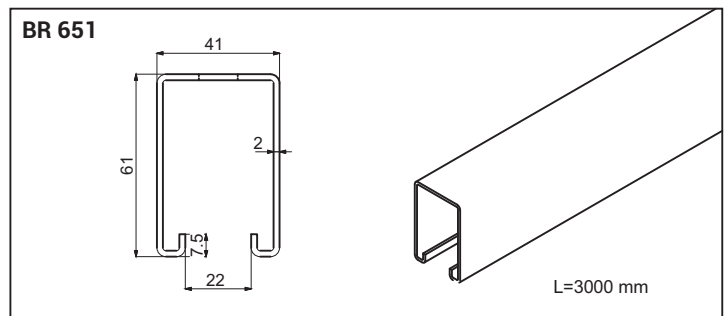
►► BINRAK CHANNEL (41x61mm)
Hot Dip Galvanized (TS EN ISO 1461)

Description	T (mm)	Weight (kg./m.)	Order Code
BR 651 BINRAK	2	3,057	3184117
BR 653 BINRAK	2	2,957	3184124



Profile Cross-sectional Properties	X-X				Y-Y		
	Cross-sectional area (cm ²)	Moment of Inertia I (cm ⁴)	Section Modulus S (cm ³)	Radius Of Gyration R (cm)	Moment of Inertia I (cm ⁴)	Section Modulus S (cm ³)	Radius Of Gyration R (cm)
BR 651 - BR 653	3,54	16,71	5,07	1,73	10,71	5,22	2,16

SAFE WORKING LOAD			
L (mm)	Deflexion (mm)	Point F (kN)	Distributed F (kN)
500	2,50	5,50	7,00
750	3,75	4,00	6,00
1000	5,00	3,00	5,50
1250	6,25	2,40	4,80
1500	7,50	2,00	4,00
1750	8,75	1,70	3,50
2000	10,00	1,50	3,00
2250	11,25	1,30	2,40
2500	12,50	1,10	2,00
2750	13,75	1,00	1,65
3000	15,00	0,80	1,50



■ Maximum deflexion L/200 value is not exceeded in the indicated L (mm) size.

■ Please indicate the order code in your orders.

■ Please contact us for your orders with customized sizes.

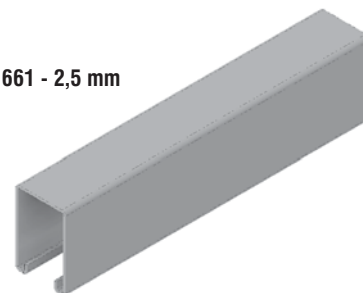
■ Material weights may vary by ± 10%

►► BINRAK CHANNEL (41x61mm)

Pre-galvanized (TS EN 10346 - TS EN 10143)

Description	T (mm)	Weight (kg./m.)	Order Code
BR 661 BINRAK	2,5	3,474	3174141
BR 663 BINRAK	2,5	3,36	3184139

BR 661 - 2,5 mm

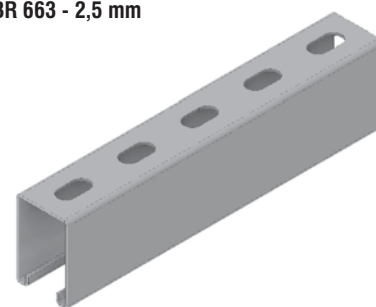


►► BINRAK CHANNEL (41x61mm)

Hot Dip Galvanized (TS EN ISO 1461)

Description	T (mm)	Weight (kg./m.)	Order Code
BR 661 BINRAK	2,5	3,821	3184118
BR 663 BINRAK	2,5	3,696	3184125

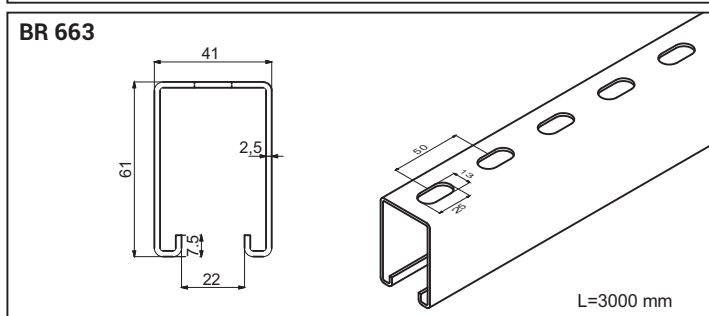
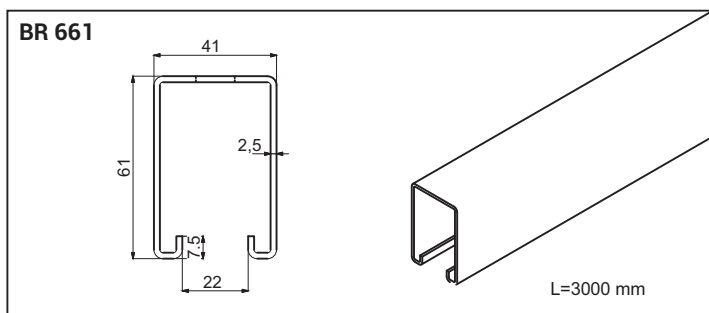
BR 663 - 2,5 mm



Profile Cross-sectional Properties	X-X				Y-Y		
	Cross-sectional area (cm ²)	Moment of Inertia I (cm ⁴)	Section Modulus S (cm ³)	Radius Of Gyration R (cm)	Moment of Inertia I (cm ⁴)	Section Modulus S (cm ³)	Radius Of Gyration R (cm)
BR 661 - BR 663	4,43	20,21	6,12	1,71	12,96	6,32	2,14

SAFE WORKING LOAD

L (mm)	Deflexion (mm)	Point	Distributed
		F (kN)	F (kN)
500	2,50	5,75	8,00
750	3,75	4,50	7,00
1000	5,00	3,60	6,50
1250	6,25	2,90	5,50
1500	7,50	2,40	4,80
1750	8,75	2,00	4,20
2000	10,00	1,80	3,50
2250	11,25	1,60	3,00
2500	12,50	1,50	2,50
2750	13,75	1,30	2,15
3000	15,00	1,10	1,80



■ Maximum deflexion L/200 value is not exceeded in the indicated L (mm) size.

■ Please indicate the order code in your orders.

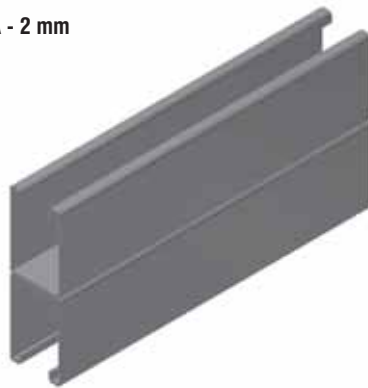
■ Please contact us for your orders with customized sizes.

■ Material weights may vary by ± 10%

BINRAK CHANNEL (41x122mm)
Hot Dip Galvanized (TS EN ISO 1461)

Description	T (mm)	Weight (kg./m.)	Order Code
BR 651 A BINRAK	2	6,114	3184119
BR 653 A BINRAK	2	5,914	3184121

BR 651 A - 2 mm



BR 653 A - 2 mm

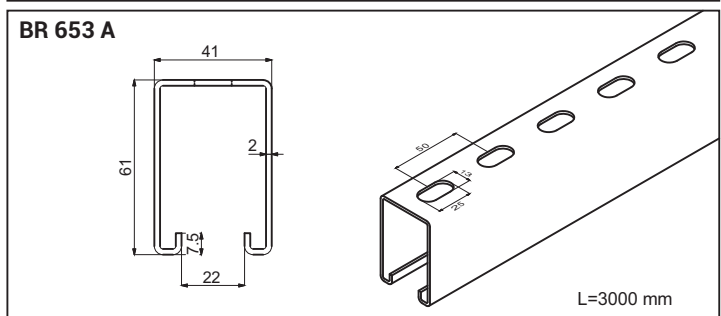
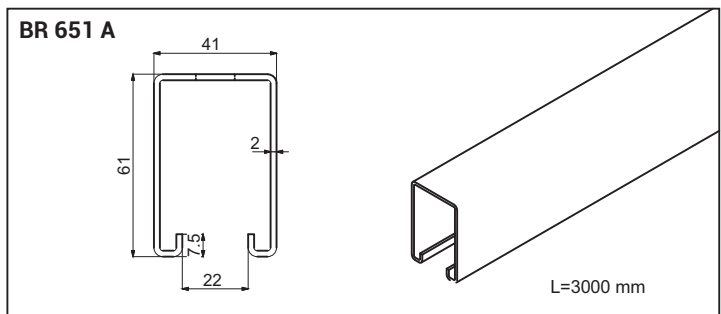


Profile Cross-sectional Properties

Product	Cross-sectional area (cm ²)	X-X			Y-Y		
		Moment of Inertia I (cm ⁴)	Section Modulus S (cm ³)	Radius Of Gyration R (cm)	Moment of Inertia I (cm ⁴)	Section Modulus S (cm ³)	Radius Of Gyration R (cm)
BR 651 - BR 653	7,08	89,78	14,71	1,73	21,42	10,44	3,54

SAFE WORKING LOAD

L (mm)	Deflexion (mm)	Point	Distributed
		F (kN)	F (kN)
500	2,50	12,00	15,00
750	3,75	9,00	13,50
1000	5,00	7,50	11,50
1250	6,25	6,50	10,00
1500	7,50	5,75	9,00
1750	8,75	5,00	8,00
2000	10,00	4,40	7,00
2250	11,25	3,90	6,20
2500	12,50	3,50	5,60
2750	13,75	3,00	4,80
3000	15,00	2,50	4,00



■ Maximum deflexion L/200 value is not exceeded in the indicated L (mm) size.

■ Please indicate the order code in your orders.

■ Please contact us for your orders with customized sizes.

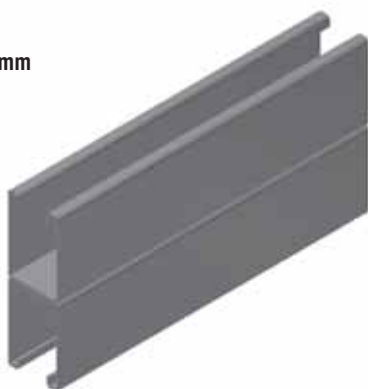
■ Material weights may vary by ± 10%

►► BINRAK CHANNEL (41x122mm)

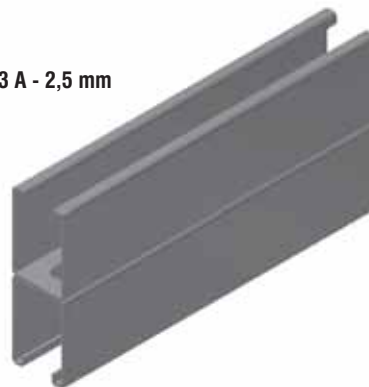
Hot Dip Galvanized (TS EN ISO 1461)

Description	T (mm)	Weight (kg./m.)	Order Code
BR 661 A BINRAK	2,5	7,643	3184120
BR 663 A BINRAK	2,5	7,392	3184122

BR 661 A - 2,5 mm



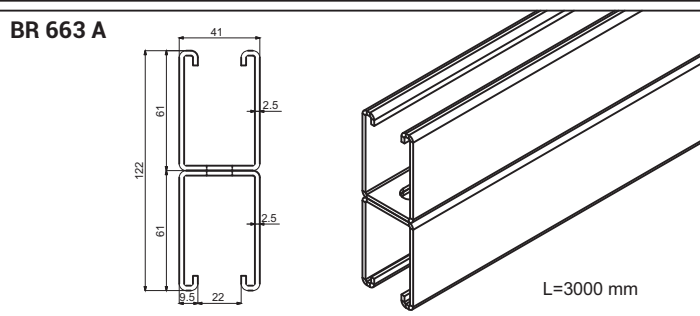
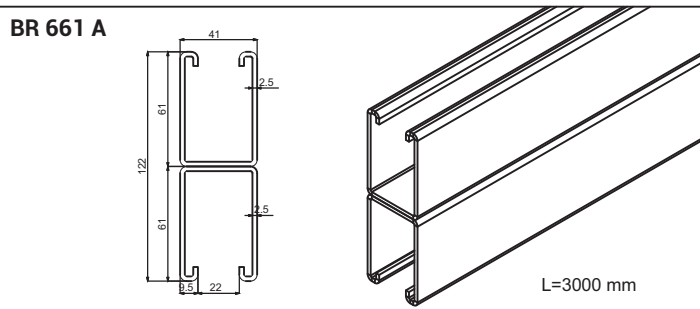
BR 663 A - 2,5 mm



Profile Cross-sectional Properties	X-X				Y-Y		
	Cross-sectional area (cm ²)	Moment of Inertia I (cm ⁴)	Section Modulus S (cm ³)	Radius Of Gyration R (cm)	Moment of Inertia I (cm ⁴)	Section Modulus S (cm ³)	Radius Of Gyration R (cm)
BR 661 A - BR 663 A	8,86	109,33	17,92	1,71	25,93	12,64	1,71

SAFE WORKING LOAD

L (mm)	Deflexion (mm)	Point	Distributed
		F (kN)	F (kN)
500	2,50	14,00	17,00
750	3,75	10,50	16,00
1000	5,00	9,00	13,50
1250	6,25	8,00	12,00
1500	7,50	7,00	10,50
1750	8,75	6,00	9,50
2000	10,00	5,25	8,40
2250	11,25	4,75	7,40
2500	12,50	4,30	6,50
2750	13,75	3,90	5,50
3000	15,00	3,00	4,80



■ Maximum deflexion L/200 value is not exceeded in the indicated L (mm) size.

■ Please indicate the order code in your orders.

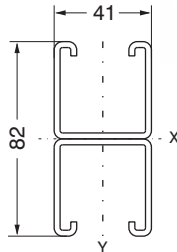
■ Please contact us for your orders with customized sizes.

■ Material weights may vary by ± 10%

►► BINRAK DOUBLE CHANNEL (41x82mm)

Hot Dip Galvanized (TS EN ISO 1461)

Description	Weight (kg./m.)	Order Code
BR 451 A (41x82x2mm)	4,901	3000219
BR 461 A (41x82x2,5mm)	6,010	3000220
BR 453 A (41x82x2mm)	4,668	3000221
BR 463 A (41x82x2,5mm)	5,672	3000222
BR 452 A (41x82x2mm)	4,259	3000223
BR 462 A (41x82x2,5mm)	5,150	3000224



BR 451 A
BR 461 A



BR 453 A
BR 463 A



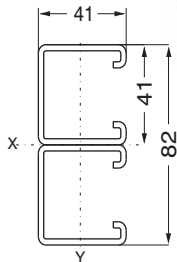
BR 452 A
BR 462 A

L=3000 mm

►► BINRAK DOUBLE CHANNEL (41x82mm)

Hot Dip Galvanized (TS EN ISO 1461)

Description	Weight (kg./m.)	Order Code
BR 451 B (41x82x2mm)	4,901	3000225
BR 461 B (41x82x2,5mm)	6,010	3000226
BR 453 B (41x82x2mm)	4,668	3000227
BR 463 B (41x82x2,5mm)	5,672	3000228
BR 452 B (41x82x2mm)	4,259	3000229
BR 462 B (41x82x2,5mm)	5,150	3000230



BR 451 B
BR 461 B



BR 453 B
BR 463 B



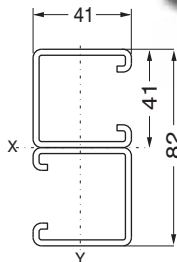
BR 452 B
BR 462 B

L=3000 mm

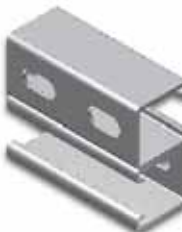
►► BINRAK DOUBLE CHANNEL (41x82mm)

Hot Dip Galvanized (TS EN ISO 1461)

Description	Weight (kg./m.)	Order Code
BR 451 C (41x82x2mm)	4,901	3000231
BR 461 C (41x82x2,5mm)	6,010	3000232
BR 453 C (41x82x2mm)	4,668	3000233
BR 463 C (41x82x2,5mm)	5,672	3000234
BR 452 C (41x82x2mm)	4,259	3000235
BR 462 C (41x82x2,5mm)	5,150	3000236



BR 451 C
BR 461 C



BR 453 C
BR 463 C



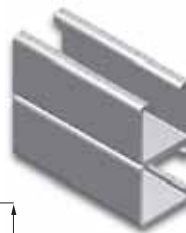
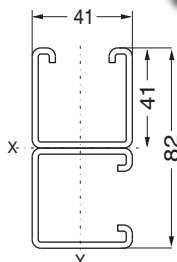
BR 452 C
BR 462 C

L=3000 mm

►► BINRAK DOUBLE CHANNEL (41x82mm)

Hot Dip Galvanized (TS EN ISO 1461)

Description	Weight (kg./m.)	Order Code
BR 451 D (41x82x2mm)	4,901	3000237
BR 461 D (41x82x2,5mm)	6,010	3000238
BR 453 D (41x82x2mm)	4,668	3000239
BR 463 D (41x82x2,5mm)	5,672	3000240
BR 452 D (41x82x2mm)	4,259	3000241
BR 462 D (41x82x2,5mm)	5,150	3000242



BR 451 D
BR 461 D



BR 453 D
BR 463 D



BR 452 D
BR 462 D

L=3000 mm

■ Please indicate order code in your orders.

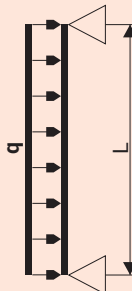
■ Please contact us for special size.

■ Material weights may vary by ± 10%

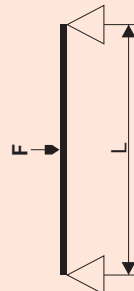
▶▶ MAXIMUM LOAD FOR BINRAK PROFILES

Profile Thickness (t)	41X21			41X41			41X61																																														
	1,5mm	2mm	2,5mm	1,5mm	2mm	2,5mm	2mm	2,5mm																																													
	BR 201	BR 251	BR 261	BR 401	BR 451 BR 452 BR 453	BR 461 BR 462 BR 463	BR 651 BR 653	BR 661 BR 663																																													
Profile Length L (mm)	500	750	1000	1250	1500	1750	2000	2250	2500	2750	3000	500	750	1000	1250	1500	1750	2000	2250	2500	2750	3000	500	750	1000	1250	1500	1750	2000	2250	2500	2750	3000																				
Vertical Deviation (max. L/200) (mm)	2,50	3,75	5,00	6,25	7,50	8,75	10,00	11,25	12,50	13,75	15,00	2,50	3,75	5,00	6,25	7,50	8,75	10,00	11,25	12,50	13,75	15,00	2,50	3,75	5,00	6,25	7,50	8,75	10,00	11,25	12,50	13,75	15,00																				
q (kg)	115	176	192	224	288	320	376	480	512	550	600	700	800	128	140	144	152	163	170	180	192	200	215	250	280	320	350	400	480	550	650	700	192	224	288	320	376	480	512	550	600	650	700	800									
F (kg)	72	110	120	140	176	224	288	376	480	512	550	600	700	88	130	140	152	163	170	180	192	200	215	250	280	320	350	400	480	550	650	700	320	376	480	512	550	600	650	700	800	880	1000	1100	1250	1400	1600	1800	2000	2200	2500	2800	3200

DISTRIBUTED LOAD



POINT LOAD



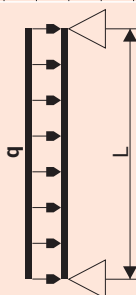
- Please indicate order code in your orders.
- Please contact us for special size.

- Material weights may vary by $\pm 10\%$

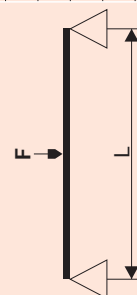
▶▶ MAXIMUM LOAD FOR BINRAK PROFILES

Profile Thickness (t)	82X41		122X41		q (kg)	F (kg)
	2mm	2,5 mm	2 mm	2,5 mm		
BR 451 A BR 452 A BR 453 A	BR 461 A BR 462 A BR 463 A	BR 651 A BR 653 A	BR 661 A BR 663 A	q (kg)	F (kg)	F (kg)
500	960	1120	1500	1700		
750	832	976	1350	1600		
1000	704	832	1150	1350		
1250	608	712	1000	1200		
1500	528	608	900	1050		
1750	456	512	800	950		
2000	400	448	700	840		
2250	352	392	620	740		
2500	304	352	560	650		
2750	272	320	480	550		
3000	240	288	400	480		
Vertical Deviation (max. L/200) (mm)						
500	2,50					
750	3,75					
1000	5,00					
1250	6,25					
1500	7,50					
1750	8,75					
2000	10,00					
2250	11,25					
2500	12,50					
2750	13,75					
3000	15,00					
Profile Length L (mm)	F (kg)	F (kg)	F (kg)	F (kg)	F (kg)	F (kg)
500	600	700	1200	1400		
750	520	610	900	1050		
1000	440	520	750	900		
1250	380	445	650	800		
1500	330	380	575	700		
1750	285	320	500	600		
2000	250	280	440	525		
2250	220	245	390	475		
2500	190	220	350	430		
2750	170	200	300	390		
3000	150	180	250	300		

DISTRIBUTED LOAD



DISTRIBUTED LOAD



■ Please indicate order code in your orders.

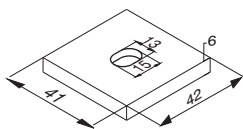
■ Please contact us for special size.

■ Material weights may vary by ± 10%

►► BINRAK FITTING ACCESSORIES

Hot Dip Galvanized (TS EN ISO 1461)

Description	T (mm)	Weight (kg./pc.)	Order Code
BR 1-1 Square Washer	6	0,080	3000218



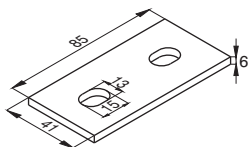
BR 1-1



►► BINRAK FITTING ACCESSORIES

Hot Dip Galvanized (TS EN ISO 1461)

Description	T (mm)	Weight (kg./pc.)	Order Code
BR 1-2 Two Hole Fitting	6	0,166	3000183



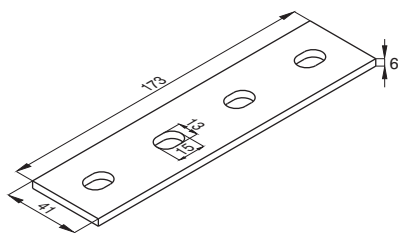
BR 1-2



►► BINRAK FITTING ACCESSORIES

Hot Dip Galvanized (TS EN ISO 1461)

Description	T (mm)	Weight (kg./pc.)	Order Code
BR 1-3 Four Hole Fitting	6	0,330	3000184



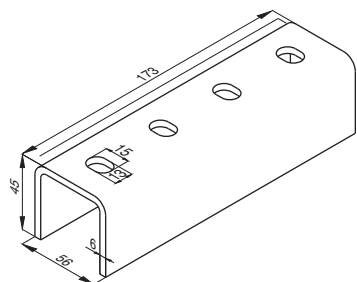
BR 1-3



►► BINRAK FITTING ACCESSORIES

Hot Dip Galvanized (TS EN ISO 1461)

Description	T (mm)	Weight (kg./pc.)	Order Code
BR 1-4 Four Hole Tunnel Fit.	6	1,138	3000185



BR 1-4



■ Please indicate order code in your orders.

■ Please contact us for special size.

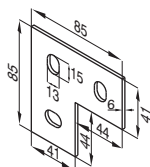
■ For installation, M10 bolts and nuts should be ordered

■ Material weights may vary by $\pm 10\%$

BINRAK FITTING ACCESSORIES

Hot Dip Galvanized (TS EN ISO 1461)

Description	T (mm)	Weight (kg./pc.)	Order Code
BR 1-5 L Fitting	6	0,249	3000192



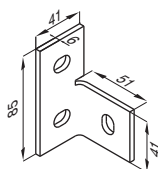
BR 1-5



BINRAK FITTING ACCESSORIES

Hot Dip Galvanized (TS EN ISO 1461)

Description	T (mm)	Weight (kg./pc.)	Order Code
BR 1-6 L Side Fitting	6	0,254	3000195



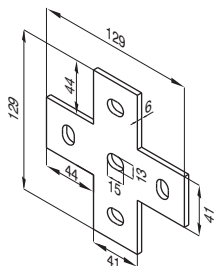
BR 1-6



BINRAK FITTING ACCESSORIES

Hot Dip Galvanized (TS EN ISO 1461)

Description	T (mm)	Weight (kg./pc.)	Order Code
BR 1-7 "+" Fitting	6	0,410	3000194



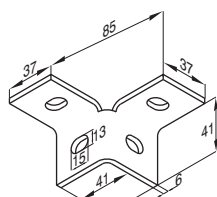
BR 1-7



BINRAK FITTING ACCESSORIES

Hot Dip Galvanized (TS EN ISO 1461)

Description	T (mm)	Weight (kg./pc.)	Order Code
BR 1-8 "W" Side Fitting	6	0,327	3000188



BR 1-8



■ Please indicate order code in your orders.

■ Please contact us for special size.

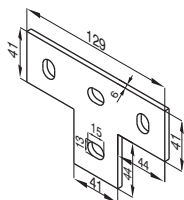
■ For installation, M10 bolts and nuts should be ordered

■ Material weights may vary by $\pm 10\%$

►► BINRAK FITTING ACCESSORIES

Hot Dip Galvanized (TS EN ISO 1461)

Description	T (mm)	Weight (kg./pc.)	Order Code
BR 1-9 T Fitting	6	0,320	3000193



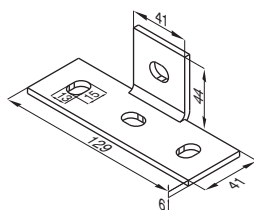
BR 1-9



►► BINRAK FITTING ACCESSORIES

Hot Dip Galvanized (TS EN ISO 1461)

Description	T (mm)	Weight (kg./pc.)	Order Code
BR 1-10 T Offset Fitting	6	0,320	3000187



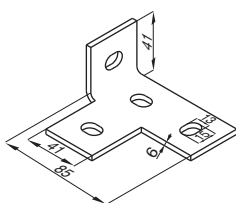
BR 1-10



►► BINRAK FITTING ACCESSORIES

Hot Dip Galvanized (TS EN ISO 1461)

Description	T (mm)	Weight (kg./pc.)	Order Code
BR 1-11 T Left Offset Fitting (90°)	6	0,320	3000186



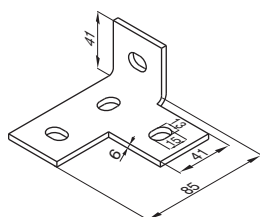
BR 1-11



►► BINRAK FITTING ACCESSORIES

Hot Dip Galvanized (TS EN ISO 1461)

Description	T (mm)	Weight (kg./pc.)	Order Code
BR 1-12 T Right Offset Fitting (90°)	6	0,320	3000288



BR 1-12



■ Please indicate order code in your orders.

■ Please contact us for special size.

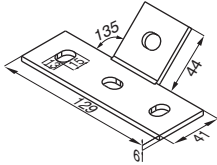
■ For installation, M10 bolts and nuts should be ordered

■ Material weights may vary by ± 10%

BINRAK FITTING ACCESSORIES

Hot Dip Galvanized (TS EN ISO 1461)

Description	T (mm)	Weight (kg./pc.)	Order Code
BR 1-13 T 45° Fitting	6	0,320	3000196



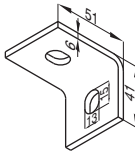
BR 1-13



BINRAK FITTING ACCESSORIES

Hot Dip Galvanized (TS EN ISO 1461)

Description	T (mm)	Weight (kg./pc.)	Order Code
BR 1-14 L Bend Two Hole Fit.	6	0,160	3000198



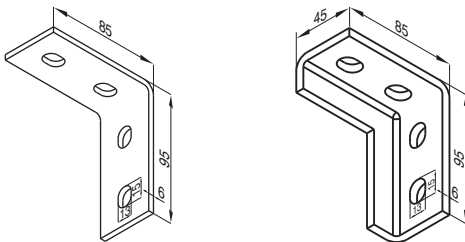
BR 1-14



BINRAK FITTING ACCESSORIES

Hot Dip Galvanized (TS EN ISO 1461)

Description	T (mm)	Weight (kg./pc.)	Order Code
BR 1-15 L Bend Four Hole Fit.	6	0,323	3000203
BR 1-36 Flag L Bend Four Hole Fit.	6	0,482	3125796



BR 1-15

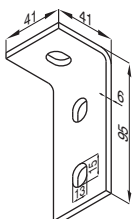
BR 1-36



BINRAK FITTING ACCESSORIES

Hot Dip Galvanized (TS EN ISO 1461)

Description	T (mm)	Weight (kg./pc.)	Order Code
BR 1-16 L Bend Three Hole Fit.	6	0,239	3000199



BR 1-16



■ Please indicate order code in your orders.

■ Please contact us for special size.

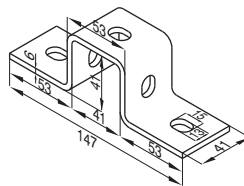
■ For installation, M10 bolts and nuts should be ordered

■ Material weights may vary by ± 10%

►► BINRAK FITTING ACCESSORIES

Hot Dip Galvanized (TS EN ISO 1461)

Description	T (mm)	Weight (kg./pc.)	Order Code
BR 1-21 U Omega Fit. 1	6	0,420	3000202



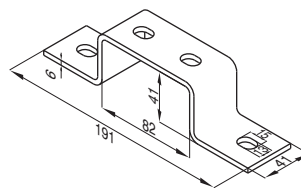
BR 1-21



►► BINRAK FITTING ACCESSORIES

Hot Dip Galvanized (TS EN ISO 1461)

Description	T (mm)	Weight (kg./pc.)	Order Code
BR 1-22 U Omega Fit. 2	6	0,490	3000189



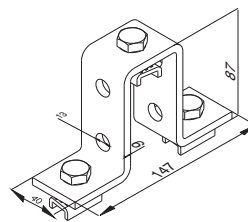
BR 1-22



►► BINRAK FITTING ACCESSORIES

Hot Dip Galvanized (TS EN ISO 1461)

Description	T (mm)	Weight (kg./pc.)	Order Code
BR 1-35 U Omega Fit. 3	6	0,576	3106387



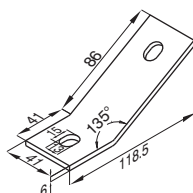
BR 1-35



►► BINRAK FITTING ACCESSORIES

Hot Dip Galvanized (TS EN ISO 1461)

Description	T (mm)	Weight (kg./pc.)	Order Code
BR 1-23 135° Bend Fitting	6	0,251	3000191



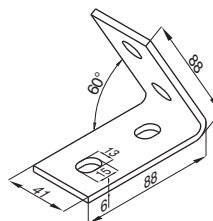
BR 1-23



►► BINRAK FITTING ACCESSORIES

Hot Dip Galvanized (TS EN ISO 1461)

Description	T (mm)	Weight (kg./pc.)	Order Code
BR 1-24 60° Fitting	6	0,326	3000216



BR 1-24



■ Please indicate order code in your orders.

■ Please contact us for special size.

■ For installation, M10 bolts and nuts should be ordered

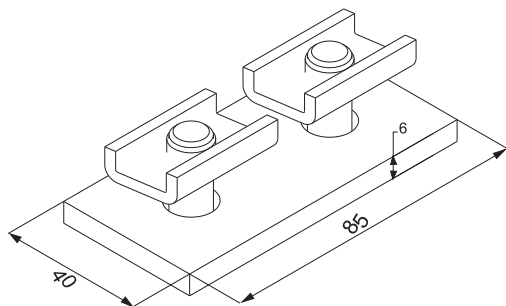
■ Material weights may vary by ± 10%



►► BINRAK MODULAR FITTING ACCESSORIES

Hot Dip Galvanized (TS EN ISO 1461)

Description	T (mm)	Weight (kg./pc.)	Order Code
BR 1-2 Two-hole, self-nut attachment	6	0,286	3136682



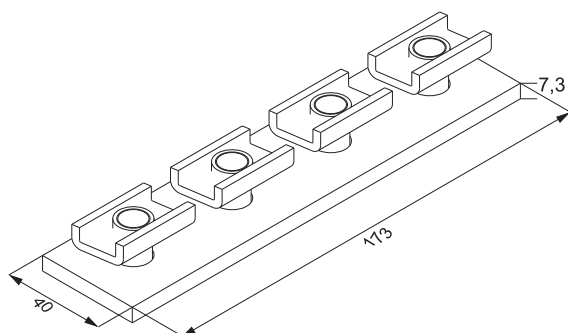
BR 1-2



►► BINRAK MODULAR FITTING ACCESSORIES

Hot Dip Galvanized (TS EN ISO 1461)

Description	T (mm)	Weight (kg./pc.)	Order Code
BR 1-3 Four-hole, self-nut attachment	6	0,570	3136683



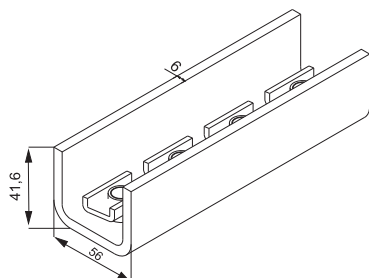
BR 1-3



►► BINRAK MODULAR FITTING ACCESSORIES

Hot Dip Galvanized (TS EN ISO 1461)

Description	T (mm)	Weight (kg./pc.)	Order Code
BR 1-4 Four-hole tunnel, self-nut attachment	6	1,162	3000185



BR 1-4



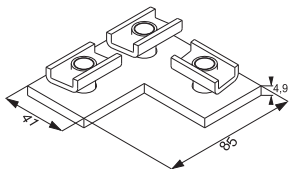
- Please indicate order code in your orders.
- Please contact us for special size.

- For installation, M10 bolts and nuts should be ordered
- Material weights may vary by $\pm 10\%$

►► BINRAK MODULAR FITTING ACCESSORIES

Hot Dip Galvanized (TS EN ISO 1461)

Description	T (mm)	Weight (kg./pc.)	Order Code
BR 1-5 L Self-nut fitting	6	0,429	3136677



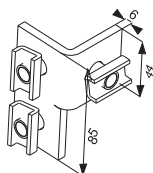
BR 1-5



►► BINRAK MODULAR FITTING ACCESSORIES

Hot Dip Galvanized (TS EN ISO 1461)

Description	T (mm)	Weight (kg./pc.)	Order Code
BR 1-6 L Self-nut wing connection part	6	0,434	3136678



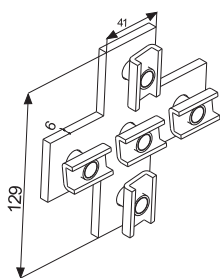
BR 1-6



►► BINRAK MODULAR FITTING ACCESSORIES

Hot Dip Galvanized (TS EN ISO 1461)

Description	T (mm)	Weight (kg./pc.)	Order Code
BR 1-7 "+" Self-nut connection part	6	0,710	3136679



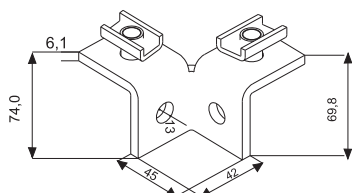
BR 1-7



►► BINRAK MODULAR FITTING ACCESSORIES

Hot Dip Galvanized (TS EN ISO 1461)

Description	T (mm)	Weight (kg./pc.)	Order Code
BR 1-8 "W" wing self-nut connection part	6	0,567	3136680



BR 1-8



■ Please indicate order code in your orders.

■ Please contact us for special size.

■ For installation, M10 bolts and nuts should be ordered

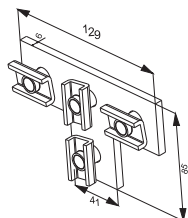
■ Material weights may vary by ± 10%



►► BINRAK MODULAR FITTING ACCESSORIES

Hot Dip Galvanized (TS EN ISO 1461)

Description	T (mm)	Weight (kg./pc.)	Order Code
BR 1-9 T Self-nut fitting	6	0,560	3136673



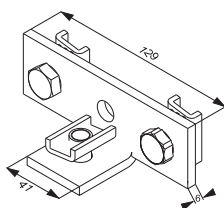
BR 1-9



►► BINRAK MODULAR FITTING ACCESSORIES

Hot Dip Galvanized (TS EN ISO 1461)

Description	T (mm)	Weight (kg./pc.)	Order Code
BR 1-10 T offset connection self-nut	6	0,560	3136674



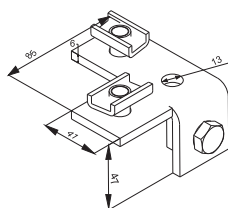
BR 1-10



►► BINRAK MODULAR FITTING ACCESSORIES

Hot Dip Galvanized (TS EN ISO 1461)

Description	T (mm)	Weight (kg./pc.)	Order Code
BR 1-11 left offset self-nut part 90	6	0,560	3136675



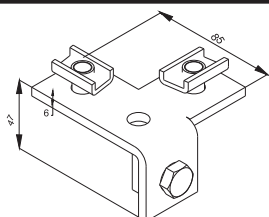
BR 1-11



►► BINRAK MODULAR FITTING ACCESSORIES

Hot Dip Galvanized (TS EN ISO 1461)

Description	T (mm)	Weight (kg./pc.)	Order Code
BR 1-12 right offset self-nut part 90	6	0,560	3136676



BR 1-12



■ Please indicate order code in your orders.

■ Please contact us for special size.

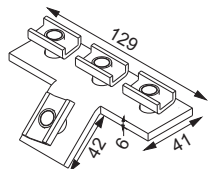
■ For installation, M10 bolts and nuts should be ordered

■ Material weights may vary by $\pm 10\%$

►► BINRAK MODULAR FITTING ACCESSORIES

Hot Dip Galvanized (TS EN ISO 1461)

Description	T (mm)	Weight (kg./pc.)	Order Code
BR 1-13 T 45 Self-nut fitting	6	0,560	3136668



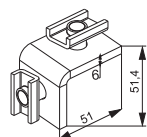
BR 1-13



►► BINRAK MODULAR FITTING ACCESSORIES

Hot Dip Galvanized (TS EN ISO 1461)

Description	T (mm)	Weight (kg./pc.)	Order Code
BR 1-14 L bend self-nut connection part	6	0,280	3136669



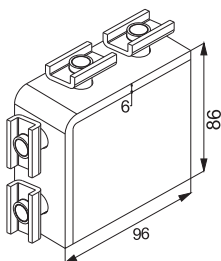
BR 1-14



►► BINRAK MODULAR FITTING ACCESSORIES

Hot Dip Galvanized (TS EN ISO 1461)

Description	T (mm)	Weight (kg./pc.)	Order Code
BR 1-15 L bend self-nut connection part	6	0,563	3136670



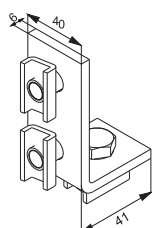
BR 1-15



►► BINRAK MODULAR FITTING ACCESSORIES

Hot Dip Galvanized (TS EN ISO 1461)

Description	T (mm)	Weight (kg./pc.)	Order Code
BR 1-16 L bend self-nut connection part	6	0,419	3136672



BR 1-16



■ Please indicate order code in your orders.

■ Please contact us for special modules.

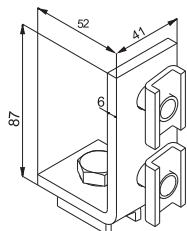
■ For installation, M10 bolts and nuts should be ordered

■ Material weights may vary by $\pm 10\%$

►► BINRAK MODULAR FITTING ACCESSORIES

Hot Dip Galvanized (TS EN ISO 1461)

Description	T (mm)	Weight (kg./pc.)	Order Code
BR 1-17 L self-nut bend connection part	6	0,419	3136664



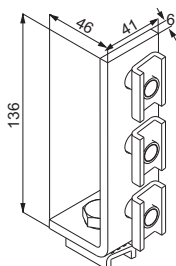
BR 1-17



►► BINRAK MODULAR FITTING ACCESSORIES

Hot Dip Galvanized (TS EN ISO 1461)

Description	T (mm)	Weight (kg./pc.)	Order Code
BR 1-18 L self-nut bend connection part	6	0,563	3136665



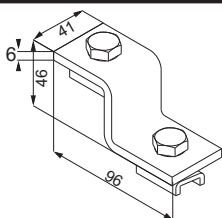
BR 1-18



►► BINRAK MODULAR FITTING ACCESSORIES

Hot Dip Galvanized (TS EN ISO 1461)

Description	T (mm)	Weight (kg./pc.)	Order Code
BR 1-19 Z self-nut connection part	6	0,359	3136666



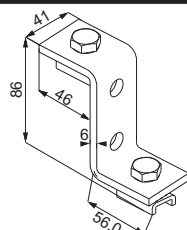
BR 1-19



►► BINRAK MODULAR FITTING ACCESSORIES

Hot Dip Galvanized (TS EN ISO 1461)

Description	T (mm)	Weight (kg./pc.)	Order Code
BR 1-20 Z self-nut connection part	6	0,435	3136667



BR 1-20



■ Please indicate order code in your orders.

■ Please contact us for special modules.

■ For installation, M10 bolts and nuts should be ordered

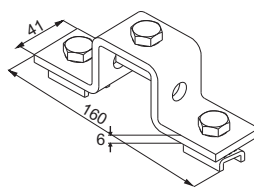
■ Material weights may vary by $\pm 10\%$



►► BINRAK MODULAR FITTING ACCESSORIES

Hot Dip Galvanized (TS EN ISO 1461)

Description	T (mm)	Weight (kg./pc.)	Order Code
BR 1-21 U bridge self-nut connection part	6	0,600	3136659



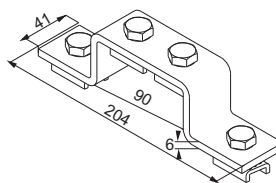
BR 1-21



►► BINRAK MODULAR FITTING ACCESSORIES

Hot Dip Galvanized (TS EN ISO 1461)

Description	T (mm)	Weight (kg./pc.)	Order Code
BR 1-22 U bridge self-nut connection part	6	0,730	3136660



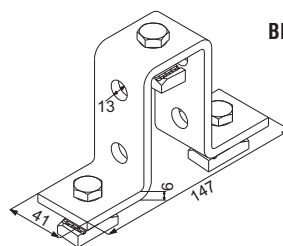
BR 1-22



►► BINRAK MODULAR FITTING ACCESSORIES

Hot Dip Galvanized (TS EN ISO 1461)

Description	T (mm)	Weight (kg./pc.)	Order Code
BR 1-35 U bridge self-nut connection part	6	0,756	3136661



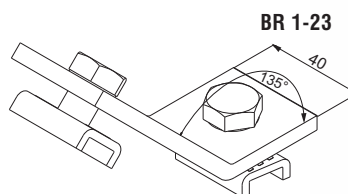
BR 1-35



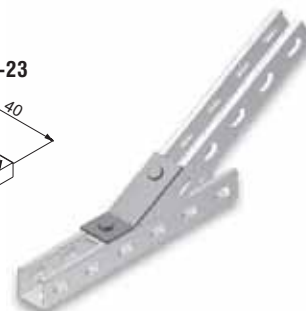
►► BINRAK MODULAR FITTING ACCESSORIES

Hot Dip Galvanized (TS EN ISO 1461)

Description	T (mm)	Weight (kg./pc.)	Order Code
BR 1-23 135 self-nut bend part	6	0,371	3136662



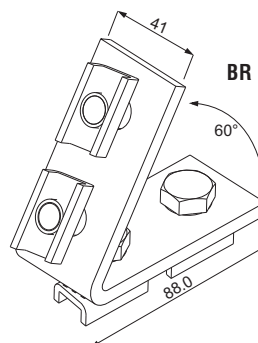
BR 1-23



►► BINRAK MODULAR FITTING ACCESSORIES

Hot Dip Galvanized (TS EN ISO 1461)

Description	T (mm)	Weight (kg./pc.)	Order Code
BR 1-24 60 angular self-nut connection part	6	0,566	3136663



BR 1-24



■ Please indicate order code in your orders.

■ Please contact us for special size.

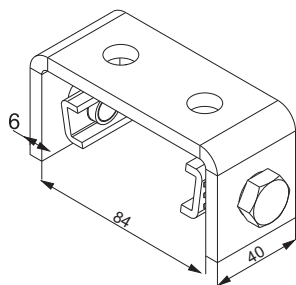
■ For installation, M10 bolts and nuts should be ordered

■ Material weights may vary by $\pm 10\%$

►► BINRAK MODULAR FITTING ACCESSORIES

Hot Dip Galvanized (TS EN ISO 1461)

Description	T (mm)	Weight (kg./pc.)	Order Code
BR 1-25 U self-nut connection part 82	6	0,451	3136655



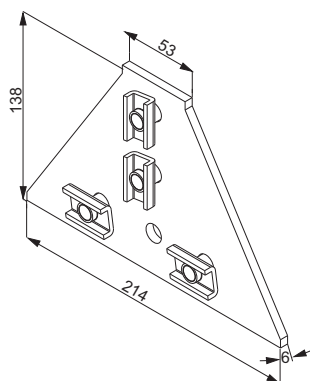
BR 1-25



►► BINRAK MODULAR FITTING ACCESSORIES

Hot Dip Galvanized (TS EN ISO 1461)

Description	T (mm)	Weight (kg./pc.)	Order Code
BR 1-26 leaf self-nut connection part with nut	6	1,072	3136656



BR 1-26



■ Please indicate order code in your orders.

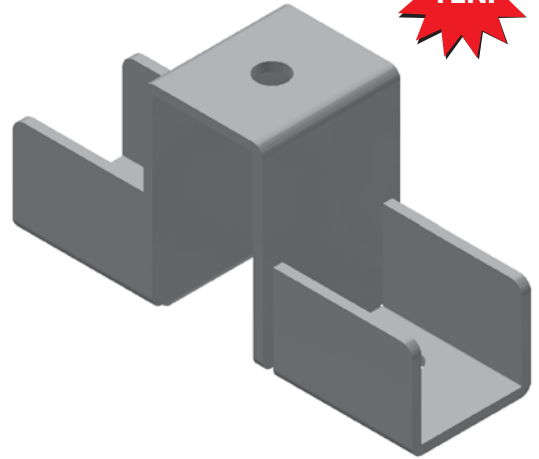
■ Please contact us for special size.

■ For installation, M10 bolts and nuts should be ordered

■ Material weights may vary by $\pm 10\%$

►► BINRAK CROSS CONNECTORS

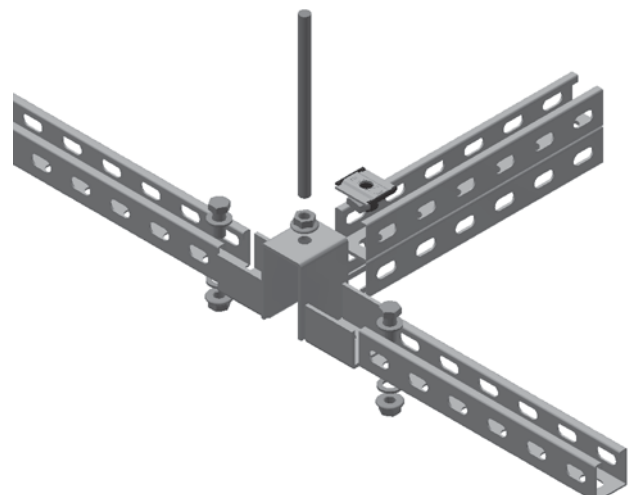
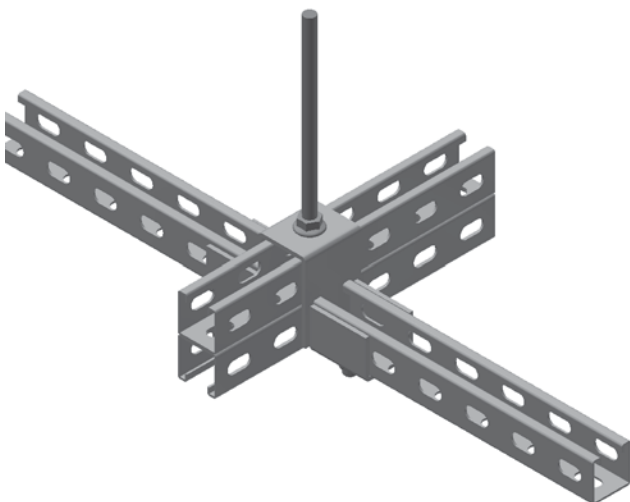
Hot Dip Galvanized (TS EN ISO 1461)



Description	T (mm)	Weight (kg./pc.)	Order Code
21x21 Cross connectors-one way	4	0,35	3136608
42x21 Cross connectors-one way	4	0,43	3136609
41x41 Cross connectors-one way	4	0,52	3136610
82x41 Cross connectors-one way	4	0,68	3136611
21x21 Cross connectors-two way	4	0,52	3136612
42x21 Cross connectors-two way	4	0,61	3136613
41x41 Cross connectors-two way	4	0,77	3136614
82x41 Cross connectors-two way	4	0,93	3136615

21x21 Cross connectors - one way	42x21 Cross connectors - one way	21x21 Cross connectors-two way	42x21 Cross connectors-two way

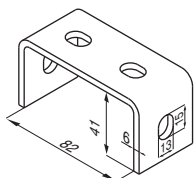
41x41 Cross connectors - one way	82x41 Cross connectors - one way	42x41 Cross connectors-two way	82x41 Cross connectors-two way



►► BINRAK FITTING ACCESSORIES

Hot Dip Galvanized (TS EN ISO 1461)

Description	T (mm)	Weight (kg./pc.)	Order Code
BR 1-25 U Fitting	6	0,331	3000190



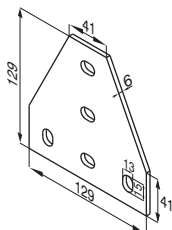
BR 1-25



►► BINRAK FITTING ACCESSORIES

Hot Dip Galvanized (TS EN ISO 1461)

Description	T (mm)	Weight (kg./pc.)	Order Code
BR 1-26 Gusset Fitting	6	0,814	3000217



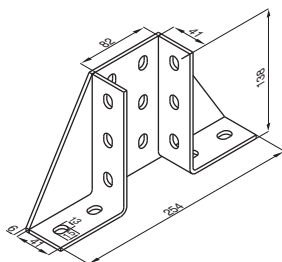
BR 1-26



►► BINRAK FIXING ACCESSORIES

Hot Dip Galvanized (TS EN ISO 1461)

Description	T (mm)	Weight (kg./pc.)	Order Code
BR 1-27 Flag Fixing 82mm	6	2,037	3000206



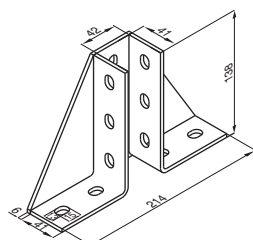
BR 1-27



►► BINRAK FIXING ACCESSORIES

Hot Dip Galvanized (TS EN ISO 1461)

Description	T (mm)	Weight (kg./pc.)	Order Code
BR 1-28 Flag Fixing 41mm	6	1,798	3000205



BR 1-28



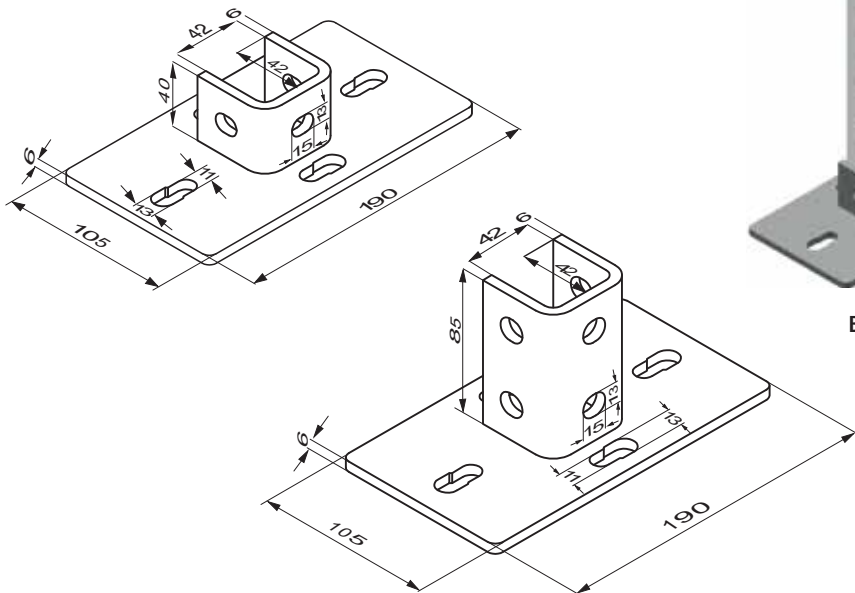
- Please indicate order code in your orders.
- Please contact us for special size.

- For installation, M10 bolts and nuts should be ordered
- Material weights may vary by $\pm 10\%$

►► BINRAK FIXING ACCESSORIES

Hot Dip Galvanized (TS EN ISO 1461)

Description	T (mm)	Weight (kg./pc.)	Order Code
BR 1-29 Base Fixing Single	6	1,205	3000208
BR 1-30 Base Fixing Single	6	1,481	3000209



Ceiling/Floor Mounting 1



BR 1-29

Ceiling/Floor Mounting 2

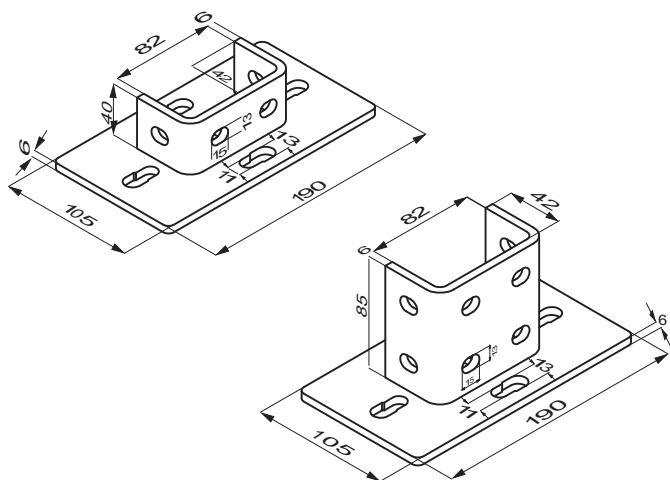


BR 1-30

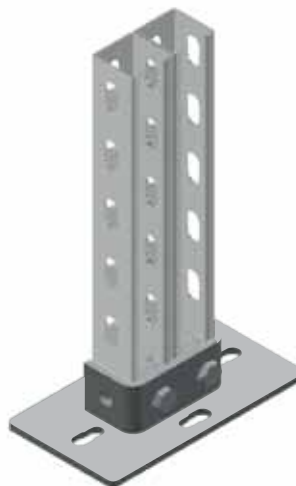
►► BINRAK FIXING ACCESSORIES

Hot Dip Galvanized (TS EN ISO 1461)

Description	T (mm)	Weight (kg./pc.)	Order Code
BR 1-31 Base Fixing Double	6	1,281	3000211
BR 1-32 Base Fixing Double	6	1,650	3000212



Ceiling/Floor Mounting 1



BR 1-31

Ceiling/Floor Mounting 2



BR 1-32

■ Please indicate order code in your orders.

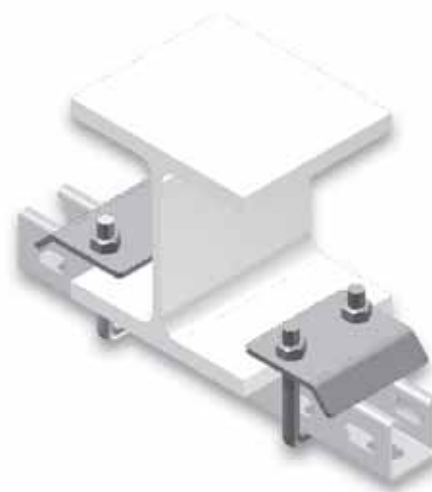
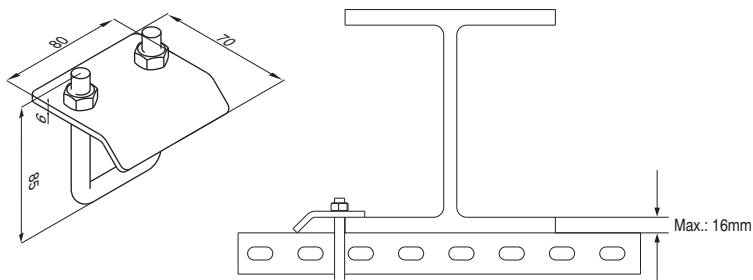
■ Please contact us for special size.

■ Material weights may vary by $\pm 10\%$

►► BINRAK FIXING ACCESSORIES

Hot Dip Galvanized (TS EN ISO 1461)

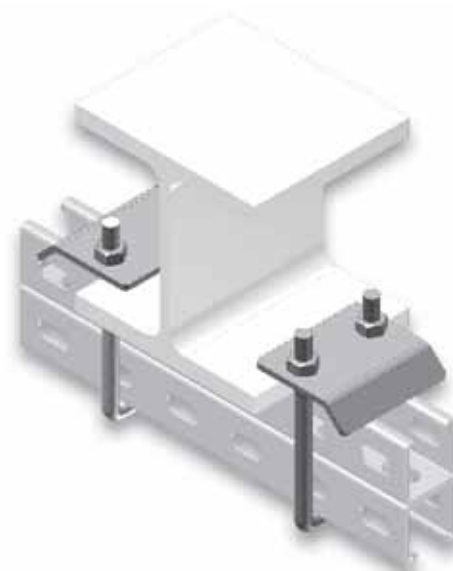
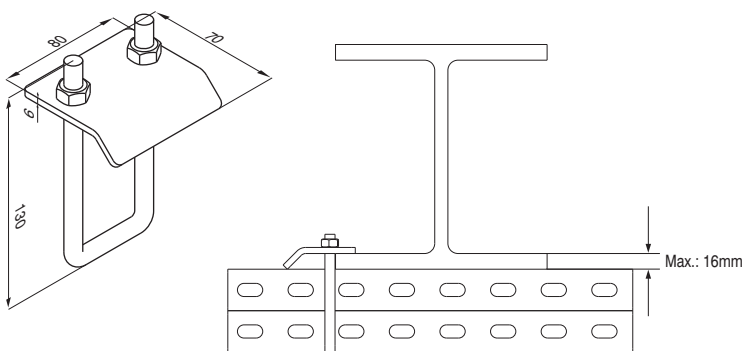
Description	T (mm)	Weight (kg./pc.)	Order Code
BR 1-33 Beam Clamp (41x41mm)	6	0,473	3000207



►► BINRAK FIXING ACCESSORIES

Hot Dip Galvanized (TS EN ISO 1461)

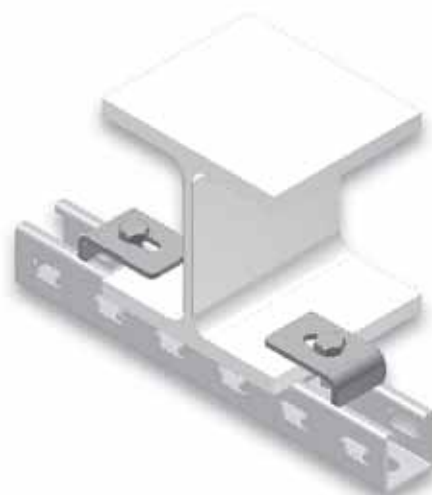
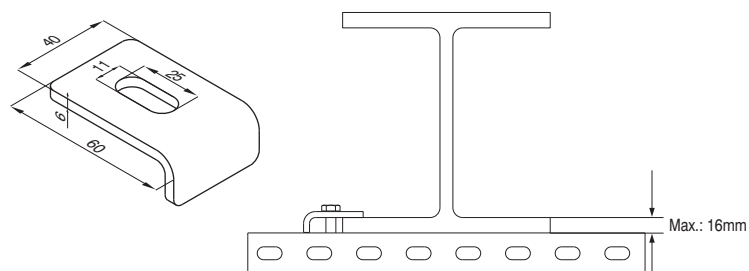
Description	T (mm)	Weight (kg./pc.)	Order Code
BR 1-34 Beam Clamp (41x82mm)	6	0,563	3000213



►► BINRAK FIXING ACCESSORIES

Alkali Zinc

Description	T (mm)	Weight (kg./pc.)	Order Code
TP 2 Fixing Part	6	0,134	3006350



■ The order code includes M10 x 50 bolts and M10 square nuts.

■ Please indicate order code in your orders.

■ Please contact us for special size.

■ Material weights may vary by $\pm 10\%$

▶▶ BINRAK SUPPORT WITH HOLES

Hot Dip Galvanized (TS EN ISO 1461)

Description	A (mm)	T (mm)	Weight (kg./pc.)	Order Code
BR 2-100	150	2	0,588	3000210
BR 2-150	200	2	0,695	3000243
BR 2-200	250	2	0,801	3000244
BR 2-250	300	2	0,908	3000245
BR 2-300	350	2	1,014	3000246
BR 2-400	450	2	1,227	3000247
BR 2-500	550	2	1,440	3000248
BR 2-600	650	2	1,653	3000249



▶▶ BINRAK SUPPORT WITH SINGLE HOLES

Hot Dip Galvanized (TS EN ISO 1461)

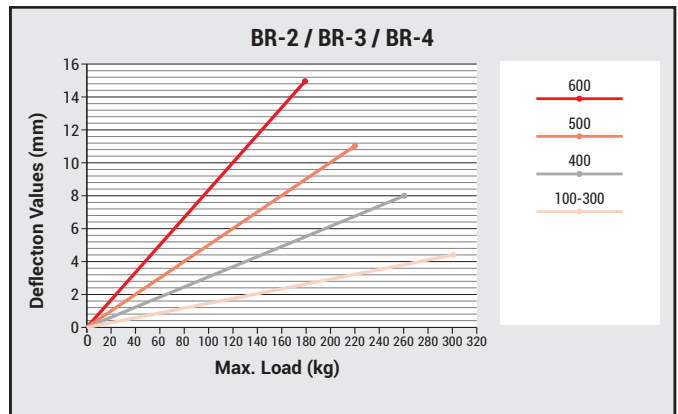
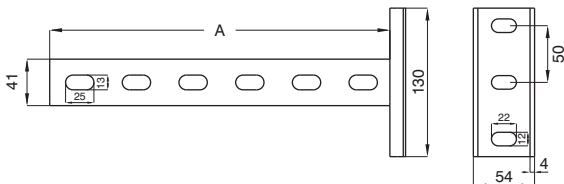
Description	A (mm)	T (mm)	Weight (kg./pc.)	Order Code
BR 3-100	150	2	0,627	3000214
BR 3-150	200	2	0,749	3000250
BR 3-200	250	2	0,865	3000251
BR 3-250	300	2	0,959	3000252
BR 3-300	350	2	1,073	3000253
BR 3-400	450	2	1,299	3000254
BR 3-500	550	2	1,525	3000255
BR 3-600	650	2	1,751	3000256



▶▶ BINRAK SUPPORT WITHOUT HOLES

Hot Dip Galvanized (TS EN ISO 1461)

Description	A (mm)	T (mm)	Weight (kg./pc.)	Order Code
BR 4-100	150	2	0,634	3000215
BR 4-150	200	2	0,752	3000257
BR 4-200	250	2	0,871	3000258
BR 4-250	300	2	0,988	3000259
BR 4-300	350	2	1,107	3000260
BR 4-400	450	2	1,344	3000261
BR 4-500	550	2	1,579	3000262
BR 4-600	650	2	1,815	3000263



- Please indicate order code in your orders.
- Please contact us for special size.
- The rim of the Binrak support shall be adjusted
- For application of the wall support, welding shall be adjusted
- Material weights may vary by $\pm 10\%$

▶▶ BINRAK DOUBLE SUPPORT WITH HOLES

Hot Dip Galvanized (TS EN ISO 1461)

Description	A (mm)	T (mm)	Weight (kg./pc.)	Order Code
BR 5-100	150	2	1,011	3000264
BR 5-150	200	2	1,221	3000265
BR 5-200	250	2	1,433	3000266
BR 5-250	300	2	1,646	3000267
BR 5-300	350	2	1,859	3000268
BR 5-400	450	2	2,276	3000269
BR 5-500	550	2	2,710	3000270
BR 5-600	650	2	3,136	3000271



▶▶ BINRAK DOUBLE SUPPORT WITH SINGLE HOLES

Hot Dip Galvanized (TS EN ISO 1461)

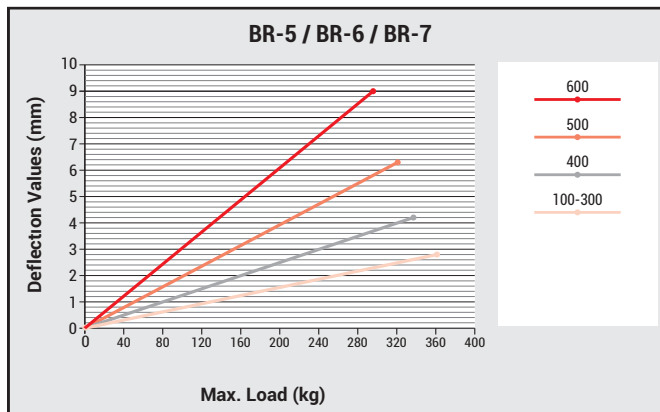
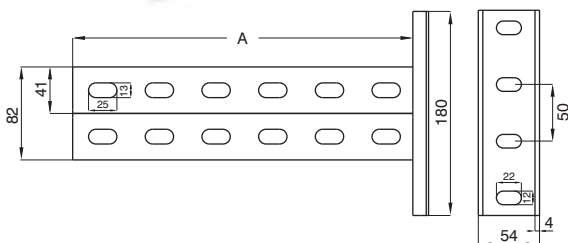
Description	A (mm)	T (mm)	Weight (kg./pc.)	Order Code
BR 6-100	150	2	1,069	3000272
BR 6-150	200	2	1,302	3000273
BR 6-200	250	2	1,535	3000274
BR 6-250	300	2	1,768	3000275
BR 6-300	350	2	2,001	3000276
BR 6-400	450	2	2,467	3000277
BR 6-500	550	2	2,933	3000278
BR 6-600	650	2	3,399	3000279



▶▶ BINRAK DOUBLE SUPPORT WITHOUT HOLES

Hot Dip Galvanized (TS EN ISO 1461)

Description	A (mm)	T (mm)	Weight (kg./pc.)	Order Code
BR 7-100	150	2	1,089	3000280
BR 7-150	200	2	1,326	3000281
BR 7-200	250	2	1,421	3000282
BR 7-250	300	2	1,800	3000283
BR 7-300	350	2	2,036	3000284
BR 7-400	450	2	2,510	3000285
BR 7-500	550	2	2,985	3000286
BR 7-600	650	2	3,457	3000287



- Please indicate order code in your orders.
- Please contact us for special size.
- For application of the wall support welding shall be adjusted
- Material weights may vary by $\pm 10\%$

▶▶ BINRAK SUPPORT WITH HOLES

Hot Dip Galvanized (TS EN ISO 1461)

Description	A (mm)	T (mm)	Weight (kg./pc.)	Order Code
BR 2-D-100	150	2	0,588	3110929
BR 2-D-150	200	2	0,695	3110930
BR 2-D-200	250	2	0,801	3110931
BR 2-D-250	300	2	0,908	3110932
BR 2-D-300	350	2	1,014	3110933
BR 2-D-400	450	2	1,227	3110934
BR 2-D-500	550	2	1,440	3110935
BR 2-D-600	650	2	1,653	3110936



▶▶ BINRAK SUPPORT WITH SINGLE HOLES

Hot Dip Galvanized (TS EN ISO 1461)

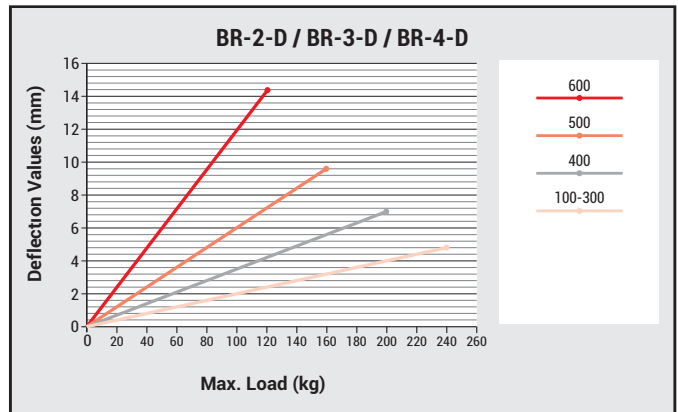
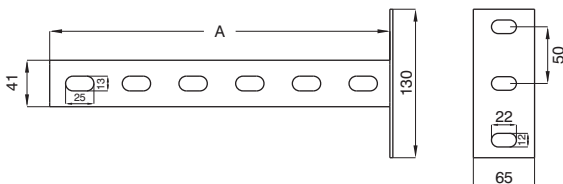
Description	A (mm)	T (mm)	Weight (kg./pc.)	Order Code
BR 3-D-100	150	2	0,627	3110937
BR 3-D-150	200	2	0,749	3110938
BR 3-D-200	250	2	0,865	3110939
BR 3-D-250	300	2	0,959	3110940
BR 3-D-300	350	2	1,073	3110941
BR 3-D-400	450	2	1,299	3110942
BR 3-D-500	550	2	1,525	3110943
BR 3-D-600	650	2	1,751	3110944



▶▶ BINRAK SUPPORT WITHOUT HOLES

Hot Dip Galvanized (TS EN ISO 1461)

Description	A (mm)	T (mm)	Weight (kg./pc.)	Order Code
BR 4-D-100	150	2	0,634	3110945
BR 4-D-150	200	2	0,752	3110946
BR 4-D-200	250	2	0,871	3110947
BR 4-D-250	300	2	0,988	3110948
BR 4-D-300	350	2	1,107	3110949
BR 4-D-400	450	2	1,344	3110950
BR 4-D-500	550	2	1,579	3110951
BR 4-D-600	650	2	1,815	3110952



- Please indicate order code in your orders.
- Please contact us for special size.
- The rim of the Binrak support shall be adjusted.
- For application of the wall support, welding shall be adjusted.
- Material weights may vary by $\pm 10\%$

▶▶ BINRAK DOUBLE SUPPORT WITH HOLES

Hot Dip Galvanized (TS EN ISO 1461)

Description	A (mm)	T (mm)	Weight (kg./pc.)	Order Code
BR 5-D-100	150	2	1,011	3110953
BR 5-D-150	200	2	1,221	3110954
BR 5-D-200	250	2	1,433	3110955
BR 5-D-250	300	2	1,646	3110956
BR 5-D-300	350	2	1,859	3110957
BR 5-D-400	450	2	2,276	3110958
BR 5-D-500	550	2	2,710	3110959
BR 5-D-600	650	2	3,136	3110960



▶▶ BINRAK DOUBLE SUPPORT WITH SINGLE HOLES

Hot Dip Galvanized (TS EN ISO 1461)

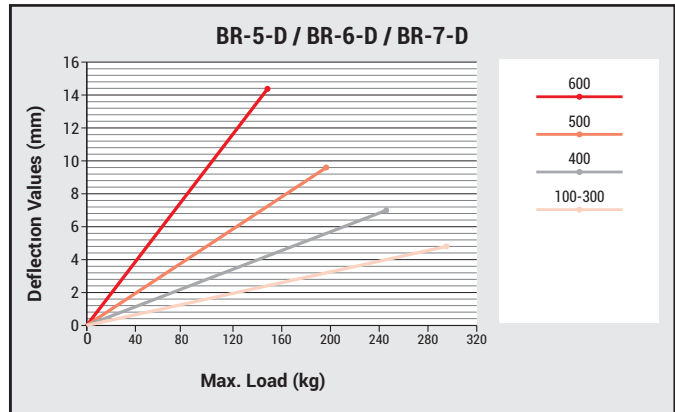
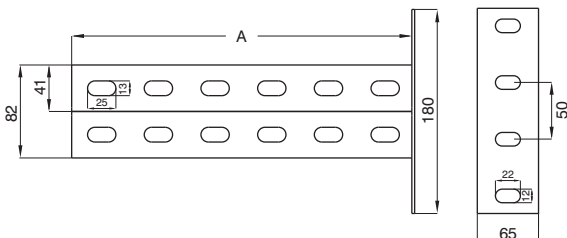
Description	A (mm)	T (mm)	Weight (kg./pc.)	Order Code
BR 6-D-100	150	2	1,069	3110961
BR 6-D-150	200	2	1,302	3110962
BR 6-D-200	250	2	1,535	3110963
BR 6-D-250	300	2	1,768	3110964
BR 6-D-300	350	2	2,001	3110965
BR 6-D-400	450	2	2,467	3110966
BR 6-D-500	550	2	2,933	3110967
BR 6-D-600	650	2	3,399	3110968



▶▶ BINRAK DOUBLE SUPPORT WITHOUT HOLES

Hot Dip Galvanized (TS EN ISO 1461)

Description	A (mm)	T (mm)	Weight (kg./pc.)	Order Code
BR 7-D-100	150	2	1,089	3110969
BR 7-D-150	200	2	1,326	3110970
BR 7-D-200	250	2	1,421	3110971
BR 7-D-250	300	2	1,800	3110972
BR 7-D-300	350	2	2,036	3110973
BR 7-D-400	450	2	2,510	3110974
BR 7-D-500	550	2	2,985	3110975
BR 7-D-600	650	2	3,457	3110976

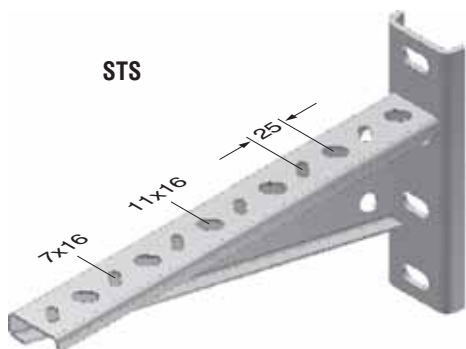


- Please indicate order code in your orders.
- Please contact us for special size.
- For application of the wall support welding shall be adjusted
- Material weights may vary by $\pm 10\%$

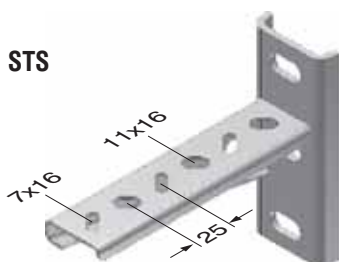
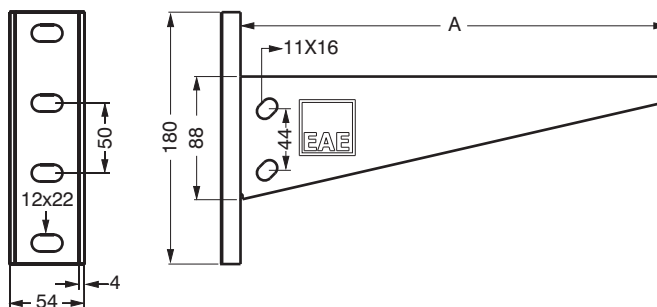
HEAVY DUTY SUPPORT

Hot Dip Galvanized (TS EN ISO 1461)

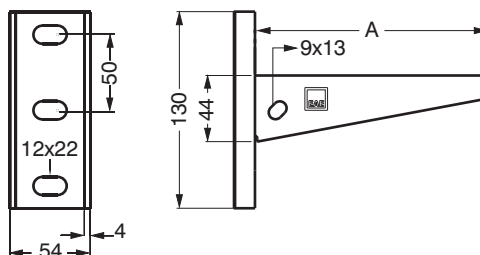
Description	A (mm)	T (mm)	Weight (kg./pc.)	Order Code
STS 100	120	2	0,398	3008015
STS 150	170	2	0,474	3008016
STS 200	220	2	0,539	3008017
STS 250	270	2	0,814	3008018
STS 300	320	2	0,920	3008019
STS 400	420	2	1,026	3008020
STS 500	520	2	1,262	3008021
STS 600	620	2	1,425	3008022



STS 250
STS 300
STS 400
STS 500
STS 600



STS 100
STS 150
STS 200



■ Please indicate order code in your orders.

■ Please contact us for special size.

■ Material weights may vary by $\pm 10\%$

▶▶ ADJUSTABLE ANGLE BRACKETS

Hot Dip Galvanized (TS EN ISO 1461)

Description	A (mm)	T (mm)	Weight (kg./pc.)	Order Code
ST 200	205	2	0,318	2000799
ST 250	255	2	0,416	2000805
ST 300	305	2	0,494	2000800
ST 400	405	2	0,649	2000801
Adjustable Angle Fixing Unit	-	2,5	0,200	3006351

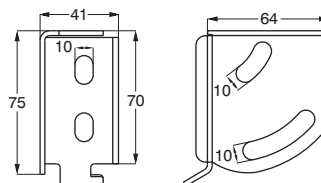
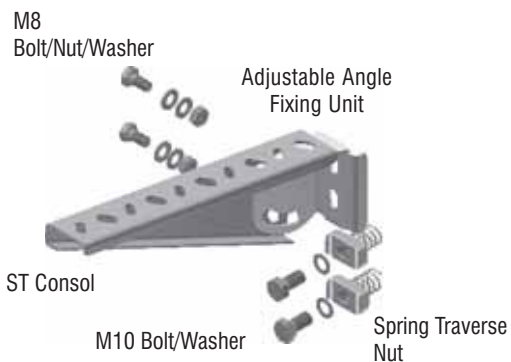


■ For the installation of the angle adjustment tool:

- Angle adjusted fitting, 1 pcs.
- M8x20 bolt 2 pcs.
- M8 washer 2 pcs.
- M8 plain washer 2 pcs.
- M8 nut 2 pcs. shall be ordered.

■ For the installation of the angle adjustment tool to the Binrak Console:

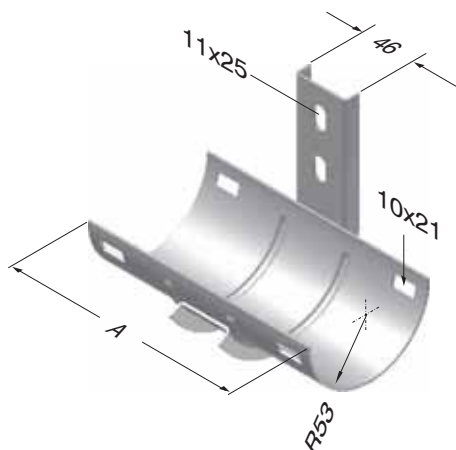
- M10x30 bolt 2 pcs.
- M10 washer 2 pcs.
- M10 spring nut 2 pcs. shall be ordered.



▶▶ MEDIUM VOLTAGE CABLE HANGER

Hot Dip Galvanized (TS EN ISO 1461)

Description	T (mm)	A (mm)	Weight (kg./pc.)	Order Code
M.V. CABLE HANGER	2	150	0,703	3004337
M.V. CABLE HANGER	2	200	0,851	3004338

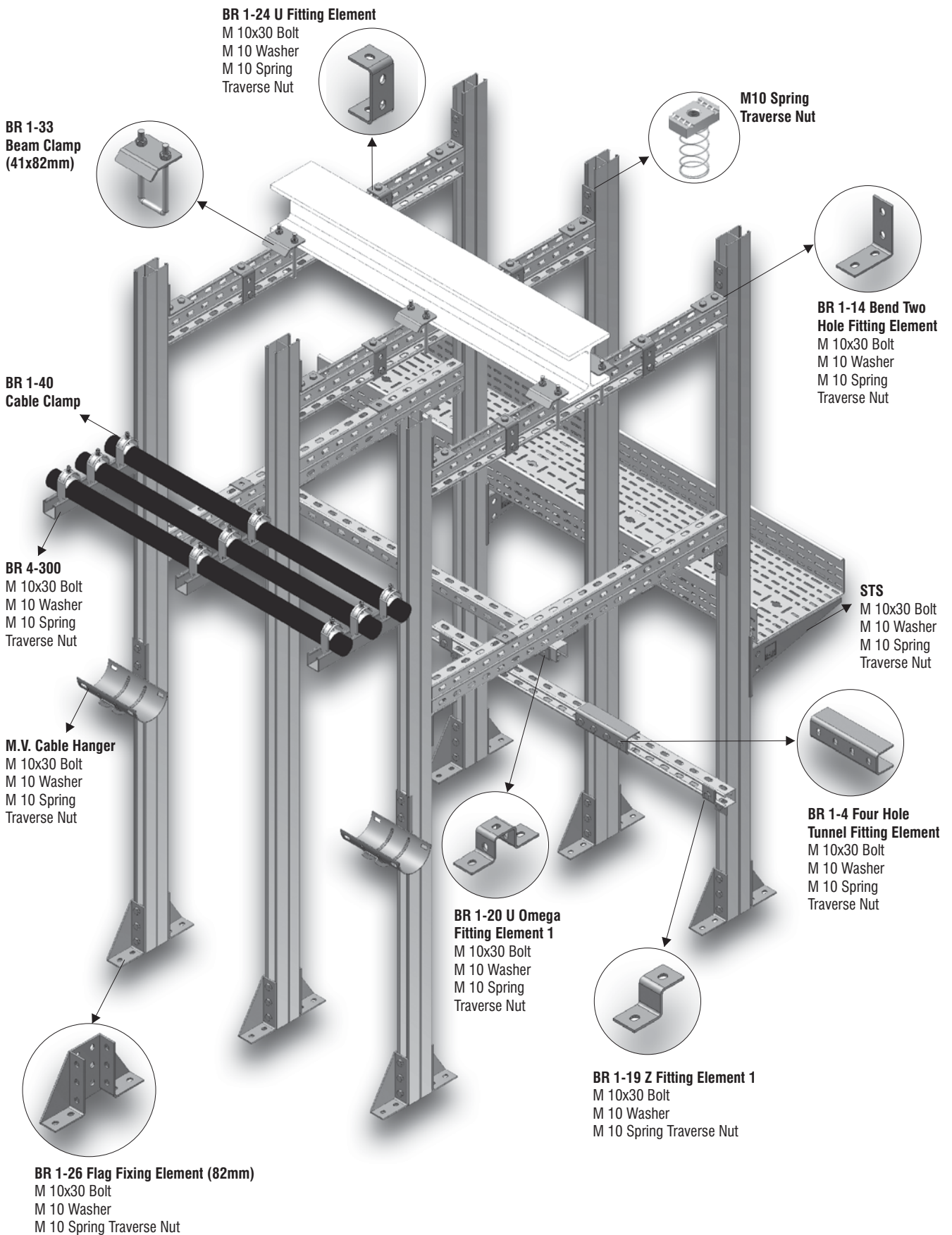


■ Please indicate order code in your orders.

■ Please contact us for special size.

■ Material weights may vary by $\pm 10\%$

▶▶ **SAMPLE MOUNTING APPLICATIONS**

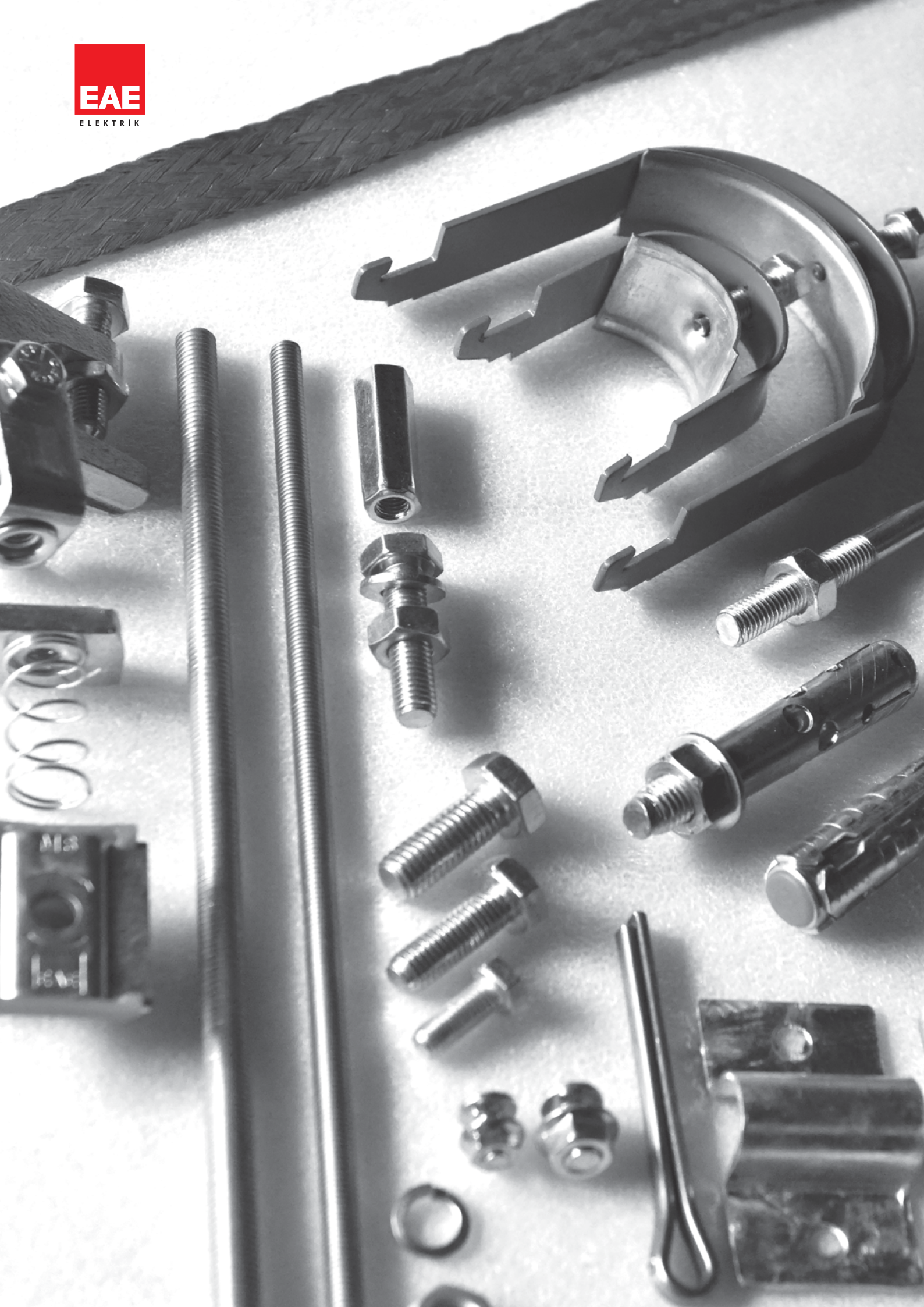


ACCESSORIES



ACCESSORIES





CONTENTS

2-5	Connection Accessories
6	Quick Binrak Nut
7	Quick Traverse Nut
8-9	Cable Clamp
10-12	Earthing Components
13-15	Piping Systems
16	Fixing Accessories
17	Beam Clamp
18	Fixing Accessories

►► CONNECTION ACCESSORIES

Description	Weight (kg/pc)	Order Code
Hex. Head Bolt M6x20	0,007	1000550
Hex. Head Bolt M8x20	0,012	1000559
Hex. Head Bolt M10x30	0,027	1000566
Hex. Head Bolt M12x30	0,039	1000695

Hex. Head Bolt



Description	Weight (kg/pc)	Order Code
M6 Steel Nut	0,004	1000520
M8 Steel Nut	0,005	1000521
M10 Steel Nut	0,010	1000522
M12 Steel Nut	0,015	1000964

Steel Nut



(Lacquered)

Description	Weight (kg/pc)	Order Code
M6 Washer	0,001	1000501
M8 Washer	0,002	1000502
M10 Washer	0,003	1000504
M12 Washer	0,005	1000505

Washer



(Lacquered)

Description	Weight (kg/pc)	Order Code
M6 Spring Washer	0,001	1000506
M8 Spring Washer	0,001	1000507
M10 Spring Washer	0,002	1000508
M12 Spring Washer	0,003	1000509

Spring Washer



(Lacquered)

Description	Weight (kg/pc)	Order Code
M6 Flanged Nut	0,007	1001091
M8 Flanged Nut	0,013	1001181
M10 Flanged Nut	0,020	1000182
M12 Flanged Nut	0,027	1005927

Flanged Nut



(Lacquered)

■ Please indicate order code in your orders.

■ Please contact us for special size.

■ Material weights may vary by $\pm 10\%$

►► CONNECTION ACCESSORIES

Description	Weight (kg/pc)	Order Code
M6 Spring Traverse Nut	0,030	1004216
M8 Spring Traverse Nut	0,028	1001311
M10 Spring Traverse Nut	0,039	1001312
M12 Spring Traverse Nut	0,038	1001313

Spring Traverse Nut



Description	Weight (kg/pc)	Order Code
M6 Traverse Nut	0,020	1003108
M8 Traverse Nut	0,025	1003105
M10 Traverse Nut	0,035	1003106
M12 Traverse Nut	0,038	1003107

Traverse Nut



Description	Weight (kg/pc)	Order Code
M6 Spring Sheet Traverse Nut	0,028	1026710
M8 Spring Sheet Traverse Nut	0,031	1026711
M10 Spring Sheet Traverse Nut	0,036	1026712
M12 Spring Sheet Traverse Nut	0,040	1026713

Spring Sheet Traverse Nut



Description	Weight (kg/pc)	Order Code
M6 Sheet Sleeper Nut	0,018	1026714
M8 Sheet Sleeper Nut	0,023	1026715
M10 Sheet Sleeper Nut	0,032	1026716
M12 Sheet Sleeper Nut	0,035	1026717

Sheet Sleeper Nut



- Please indicate order code in your orders.
- Please contact us for special size.
- Material weights may vary by $\pm 10\%$

►► CONNECTION ACCESSORIES

Description	Weight (kg/pc)	Order Code
Threaded Rod (M8x500)	0,145	5000039
Threaded Rod (M8x1000)	0,295	5000038
Threaded Rod (M8x1500)	0,440	5000035
Threaded Rod (M8x2000)	0,600	5000036
Threaded Rod (M8x3000)	0,897	5000006
Threaded Rod (M10x500)	0,245	5000037
Threaded Rod (M10x1000)	0,490	5000032
Threaded Rod (M10x1500)	0,735	5000031
Threaded Rod (M10x2000)	1,030	5000030
Threaded Rod (M10x3000)	1,520	5000029
Threaded Rod (M12x500)	0,350	5000026
Threaded Rod (M12x1000)	0,700	5000034
Threaded Rod (M12x1500)	1,010	5000025
Threaded Rod (M12x2000)	1,300	5000024
Threaded Rod (M12x3000)	2,100	5000000
Threaded Rod (M6x1000) Electro galvanized	0,222	5000357
Threaded Rod (M6x2000) Electro galvanized	0,444	5000358
Threaded Rod (M6x3000) Electro galvanized	0,666	5000359
Threaded Rod (M8x500) Electro galvanized	0,145	5000169
Threaded Rod (M8x1000) Electro galvanized	0,295	5000170
Threaded Rod (M8x1500) Electro galvanized	0,440	5000171
Threaded Rod (M8x2000) Electro galvanized	0,600	1004220
Threaded Rod (M8x3000) Electro galvanized	0,897	5000302
Threaded Rod (M10x500) Electro galvanized	0,245	5000172
Threaded Rod (M10x1000) Electro galvanized	0,490	5000173
Threaded Rod (M10x1500) Electro galvanized	0,735	5000174
Threaded Rod (M10x2000) Electro galvanized	1,030	5000175
Threaded Rod (M10x3000) Electro galvanized	1,571	5000301
Threaded Rod (M12x500) Electro galvanized	0,350	5000176

Threaded Rod



Description	Weight (kg/pc)	Order Code
Extension Nut (M8)	0,030	1004313
Extension Nut (M10)	0,070	1004312
Extension Nut (M12)	0,115	1004282

Extension Nut



(Lacquered)

- Please indicate order code in your orders.
- Please contact us for special size.
- Material weights may vary by $\pm 10\%$

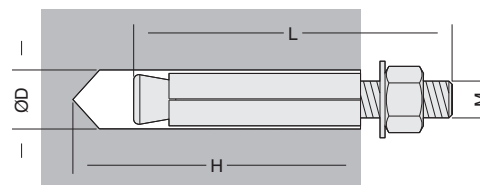
►► FIXING ACCESSORIES

Description	Weight (kg./pc.)	Order Code
EAE Pull-off Dowel (M6)	0,028	5000027
EAE Pull-off Dowel (M8)	0,030	5000033
EAE Pull-off Dowel (M10)	0,070	5000023
EAE Pull-off Dowel (M12)	0,120	5000022



EAE Pull-off Dowel

M	L (mm)	ØD (mm)	H (mm)
M6	65	10	75
M8	60	11	70
M10	85	15	95
M12	90	16	100

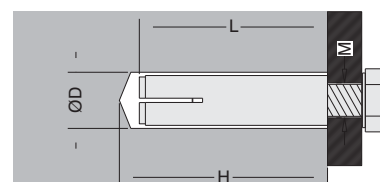


Description	Weight (kg./pc.)	Order Code
Driven Dowel (M8)	0,010	5000018
Driven Dowel (M10)	0,020	5000017



Driven Dowel

M	L (mm)	ØD (mm)	H (mm)
M8	30	10	30
M10	40	12	40

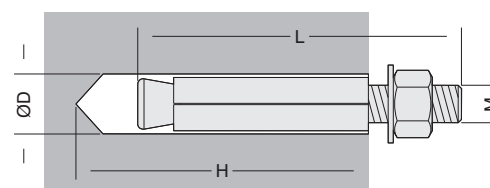


Description	Weight (kg./pc.)	Order Code
Pull Dowel (Jacketed) (M6)	0,033	5000007
Pull Dowel (Jacketed) (M8)	0,030	5000008
Pull Dowel (Jacketed) (M10)	0,070	5000009
Pull Dowel (Jacketed) (M12)	0,120	5000010



Pull Dowel (Jacketed)

M	L (mm)	ØD (mm)	H (mm)
M6	46	8	55
M8	75	10	80
M10	85	12	95
M12	90	16	100

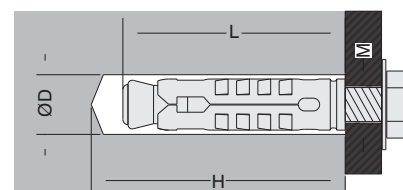


Description	Weight (kg./pc.)	Order Code
Pull Dowel "S" Type (M6)	0,011	5000011
Pull Dowel "S" Type (M8)	0,016	5000012
Pull Dowel "S" Type (M10)	0,031	5000013
Pull Dowel "S" Type (M12)	0,053	5000014



Pull Dowel "S" Type

M	L (mm)	ØD (mm)	H (mm)
M6	45	10	50
M8	57	12	60
M10	63	15	70
M12	75	18	85



■ Please indicate order code in your orders.

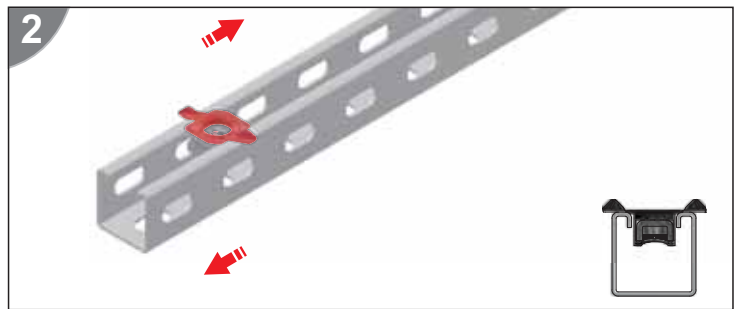
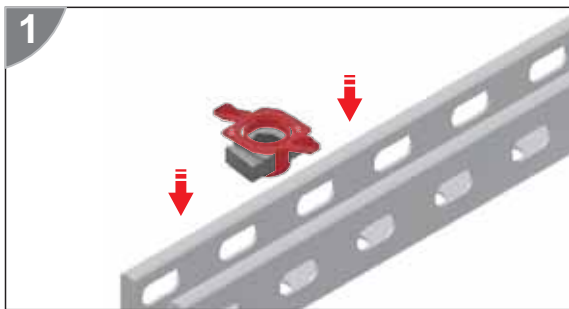
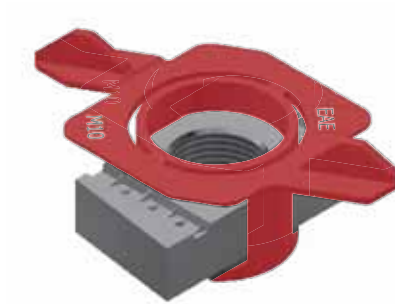
■ Please contact us for special size.

■ Material weights may vary by $\pm 10\%$

►► QUICK BINRAK NUT

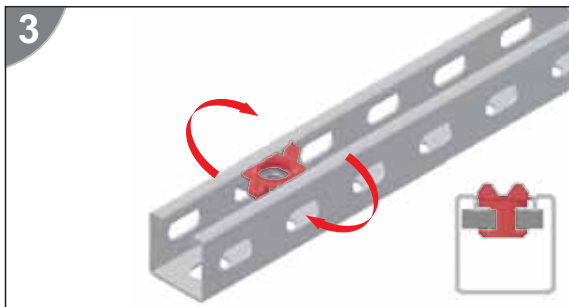


Description	Weight (kg./pc.)	Order Code
M6 Quick Binrak Nut	0,028	1021244
M8 Quick Binrak Nut	0,027	1021245
M10 Quick Binrak Nut	0,034	1021246
M12 Quick Binrak Nut	0,032	1021247



1-2.

Place the Quick Nut into Binrak Channel.



3-4.

By turning the Quick Nut in the direction of the arrow, select its position on the Binrak Channel.



►► CONNECTION ACCESSORIES

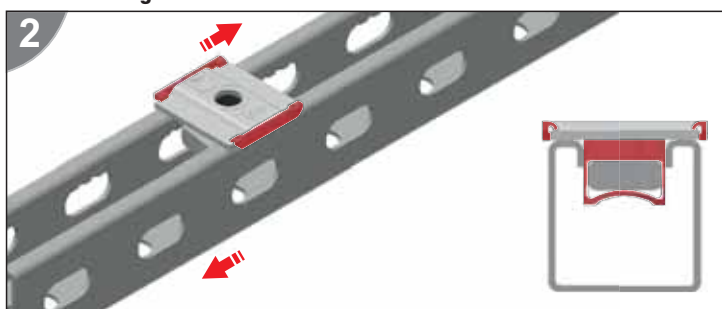
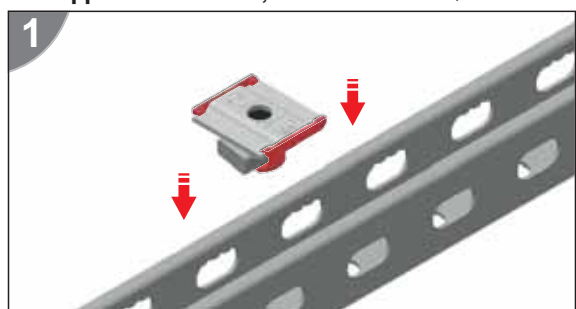
Description	Weight (kg./pc.)	Order Code
M8 Quick Traverse Nut	0,084	1004993
M10 Quick Traverse Nut	0,081	1004994
M12 Quick Traverse Nut	0,078	1004995

Quick Traverse Nut



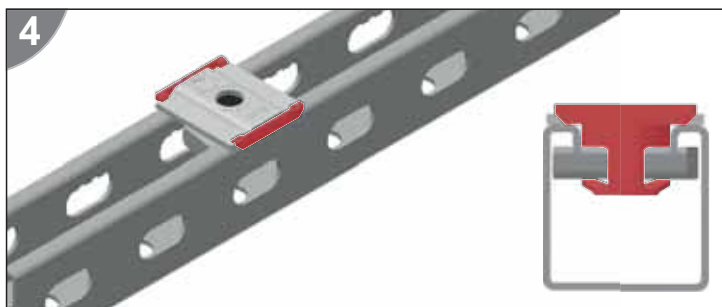
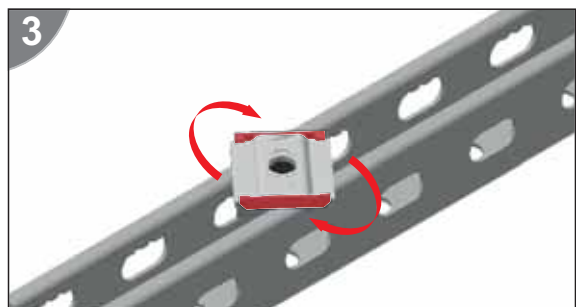
- Speed Traverse Nut can be mounted at any desired point on Binrak.
- Quick Traverse Nut is Zinc coated.

Please use the Quick Nut for fixing the supports and brackets. Please contact with the customer representative for application details, before use the Quick Nut with Binrak Fitting Accessories



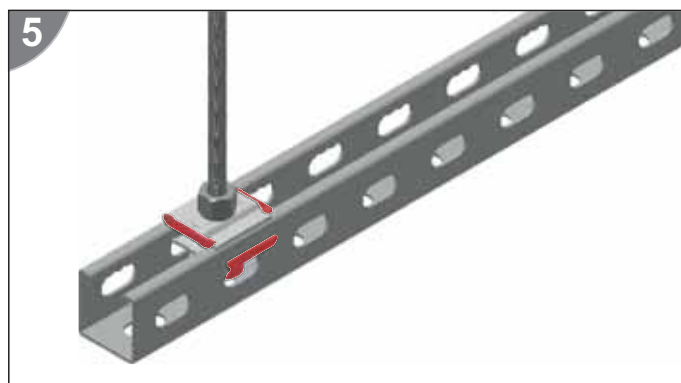
1-2.

Place the Quick Nut into Binrak Channel.



3-4.

By turning the Quick Nut in the direction of the arrow, select its position on the Binrak Channel .



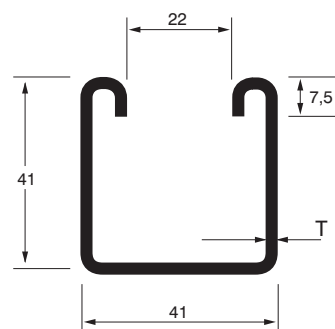
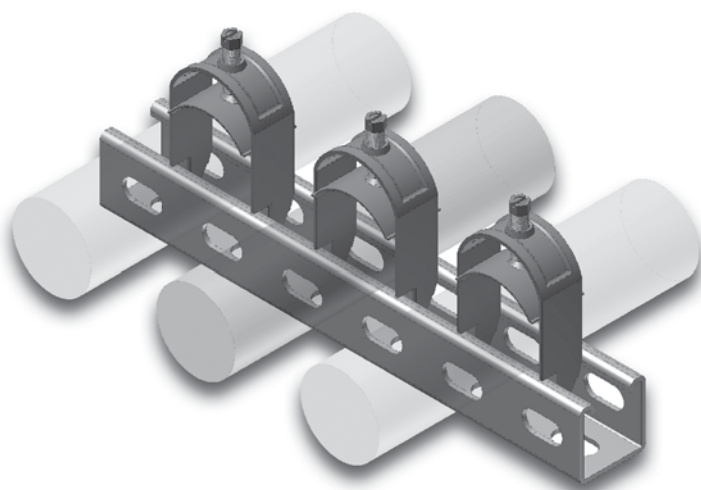
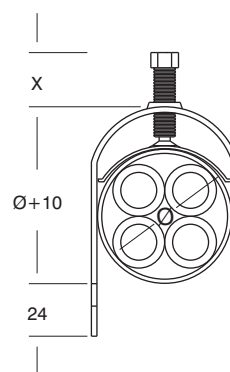
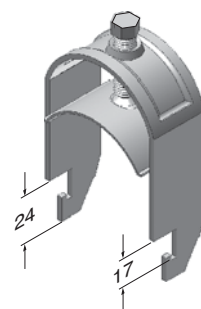
5.

Tighten and fix the Quick Nut at the position selected.

- 21x41mm and 41x41mm can be used with binrak ladders.
- Please indicate order code in your orders.

- Material weights may vary by $\pm 10\%$

Description	Ø mm	x mm	Weight (kg/pc.)	Order Code
1-12 CABLE CLAMP	12	20	0,041	1004215
1-16 CABLE CLAMP	16	20	0,046	1004309
1-20 CABLE CLAMP	20	20	0,061	1004214
1-24 CABLE CLAMP	24	20	0,065	1004213
1-28 CABLE CLAMP	28	20	0,070	1004307
1-32 CABLE CLAMP	32	20	0,075	1004212
1-36 CABLE CLAMP	36	20	0,081	1004211
1-40 CABLE CLAMP	40	30	0,087	1004305
1-44 CABLE CLAMP	44	30	0,094	1004210
1-48 CABLE CLAMP	48	30	0,099	1004209
1-52 CABLE CLAMP	52	30	0,104	1004303
1-56 CABLE CLAMP	56	30	0,109	1004208
1-60 CABLE CLAMP	60	30	0,114	1004207
1-64 CABLE CLAMP	64	30	0,120	1004206
1-70 CABLE CLAMP	70	30	0,126	1004205
1-76 CABLE CLAMP	76	30	0,132	1004204
1-82 CABLE CLAMP	82	30	0,138	1004203
1-88 CABLE CLAMP	88	30	0,145	1004202
1-94 CABLE CLAMP	94	30	0,151	1004201
1-100 CABLE CLAMP	100	30	0,159	1004200



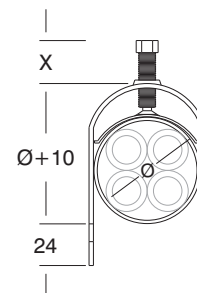
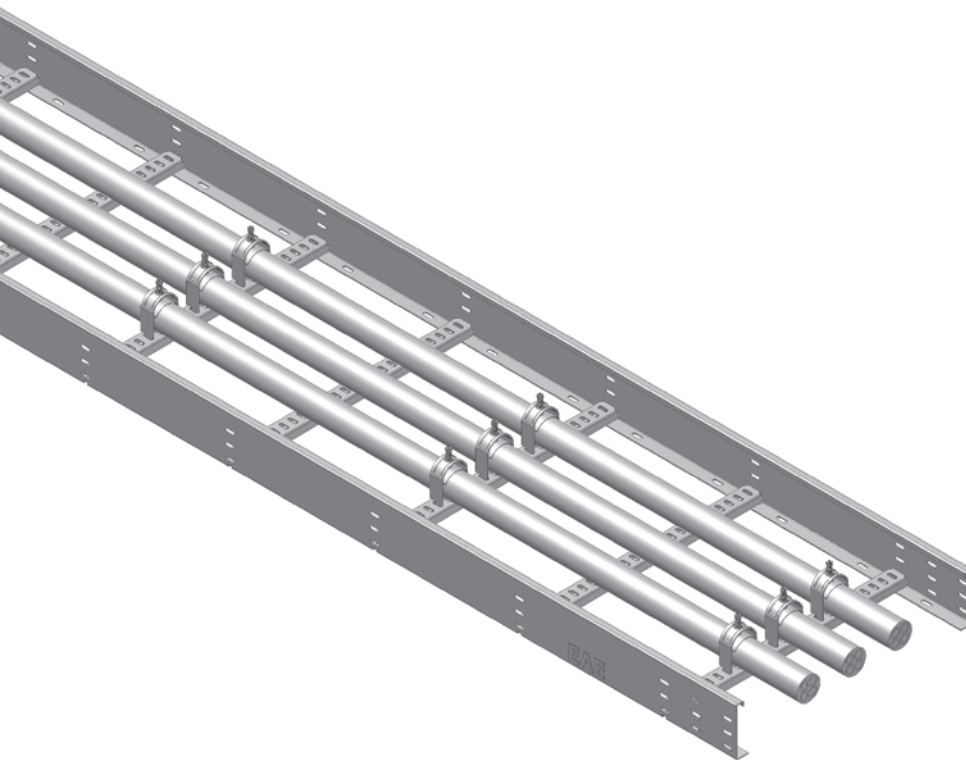
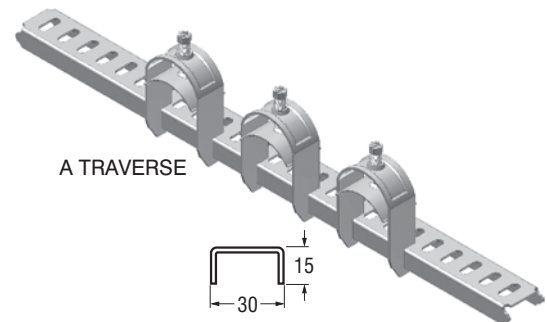
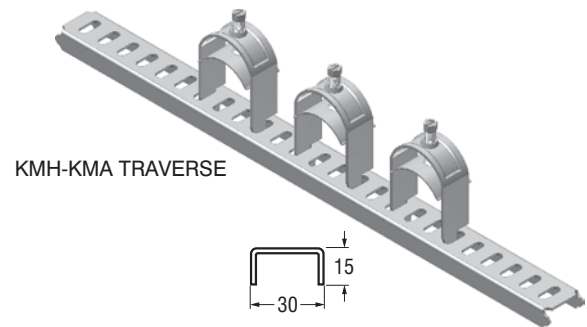
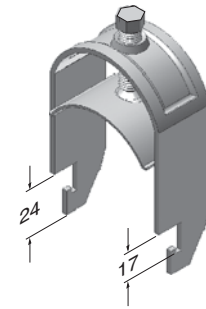
■ 21x41mm and 41x41mm can be used with binrak ladders.

■ Please indicate order code in your orders.

■ Material weights may vary by ± 10%

►► CABLE CLAMP

Description	Ø mm	x mm	Weight (kg/pc.)	Order Code
1-12 CABLE CLAMP	12	20	0,041	1004215
1-16 CABLE CLAMP	16	20	0,046	1004309
1-20 CABLE CLAMP	20	20	0,061	1004214
1-24 CABLE CLAMP	24	20	0,065	1004213
1-28 CABLE CLAMP	28	20	0,070	1004307
1-32 CABLE CLAMP	32	20	0,075	1004212
1-36 CABLE CLAMP	36	20	0,081	1004211
1-40 CABLE CLAMP	40	30	0,087	1004305
1-44 CABLE CLAMP	44	30	0,094	1004210
1-48 CABLE CLAMP	48	30	0,099	1004209
1-52 CABLE CLAMP	52	30	0,104	1004303
1-56 CABLE CLAMP	56	30	0,109	1004208
1-60 CABLE CLAMP	60	30	0,114	1004207
1-64 CABLE CLAMP	64	30	0,120	1004206
1-70 CABLE CLAMP	70	30	0,126	1004205
1-76 CABLE CLAMP	76	30	0,132	1004204
1-82 CABLE CLAMP	82	30	0,138	1004203
1-88 CABLE CLAMP	88	30	0,145	1004202
1-94 CABLE CLAMP	94	30	0,151	1004201
1-100 CABLE CLAMP	100	30	0,159	1004200



■ 21x41mm and 41x41mm can be used with binrak ladders.

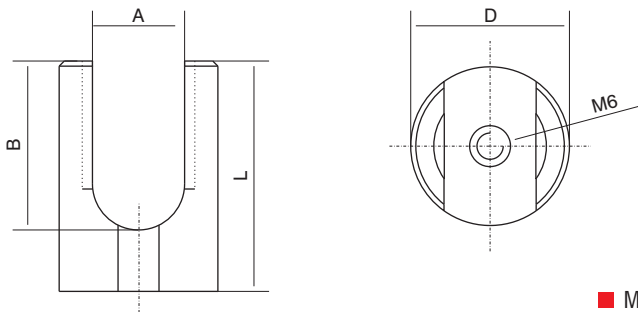
■ Please indicate order code in your orders.

■ Material weights may vary by $\pm 10\%$

▶▶ EARTHING COMPONENTS

Description	mm ²	A (mm)	B (mm)	D (mm)	L (mm)	Order Code
Brass Joint and Earthing Connector 1	10-35	8	14	18	22	1004225
Brass Joint and Earthing Connector 2	35-70	10	17	21	25	1004226
Brass Joint and Earthing Connector 3	70-150	16	29	28	39	1004227
Brass Joint and Earthing Connector 4	150-185	18	33	31	45	1004228

Brass Joint and Earthing Connector (Cylindrical)

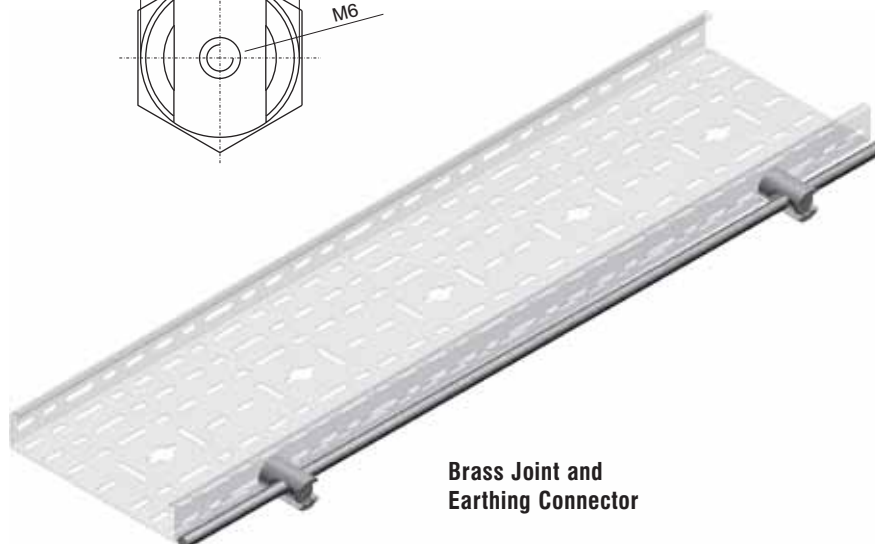
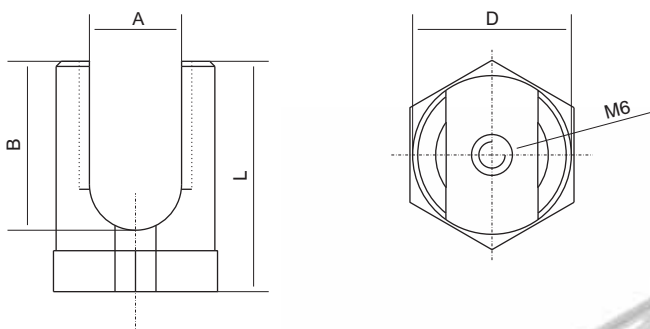


■ M6 bolt set must be purchased for the cable tray installation.

▶▶ EARTHING COMPONENTS

Description	mm ²	A (mm)	B (mm)	D (mm)	L (mm)	Order Code
Brass Joint and Earthing Connector 5	10-35	8	14	18	22	1004229
Brass Joint and Earthing Connector 6	35-70	10	17	21	25	1004230
Brass Joint and Earthing Connector 7	70-150	16	29	28	39	1004231
Brass Joint and Earthing Connector 8	150-185	18	33	31	45	1004232

Brass Joint and Earthing Connector (Hexagonal)



Brass Joint and Earthing Connector

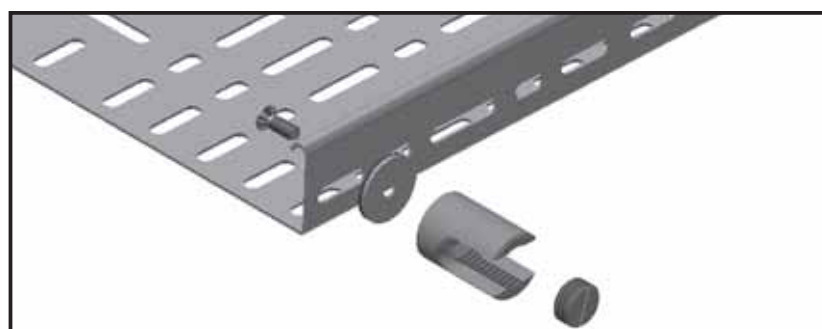
■ Please indicate order code in your orders.

■ Please contact us for special modules.

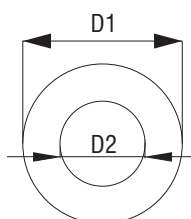
■ Material weights may vary by ± 10%

▶▶ GROUNDING WASHER

Description	D1 (mm)	D2 (mm)	Order Code
Grounding Washer M6	12	6,4	1015408
Grounding Washer M8	16	8,4	1015409
Grounding Washer M10	20	10,5	1015410
Grounding Washer M12	24	13	1015411



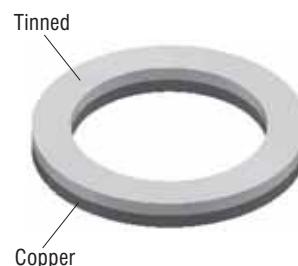
Grounding Washer



■ "Copper and brass should be used in case of contact between materials and galvanized surfaces."

"Tin-coated faces of bimetal materials should be in contact with galvanized surfaces."

Wrong connection will cause galvanic corrosion."

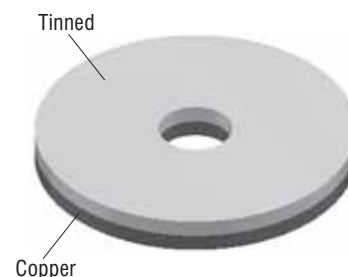
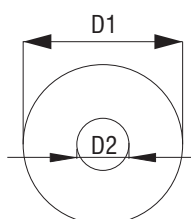


■ M6x12 Star headed bolt using with nut.

▶▶ GROUNDING WASHER

Description	D1 (mm)	D2 (mm)	Order Code
Grounding Washer 10-35 mm ²	18	6,4	1015431
Grounding Washer 35-70 mm ²	21	6,4	1015432
Grounding Washer 70-150 mm ²	28	6,4	1015433
Grounding Washer 150-185 mm ²	31	6,4	1015434

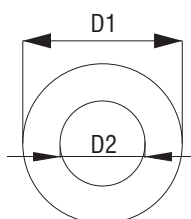
Grounding Washer



▶▶ POLYAMID WASHER

Description	D1 (mm)	D2 (mm)	Order Code
Polyamid Washer M6	12	6,4	1015412
Polyamid Washer M8	16	8,4	1015413
Polyamid Washer M10	20	10,5	1015414
Polyamid Washer M12	24	13	1015415

Polyamid Washer

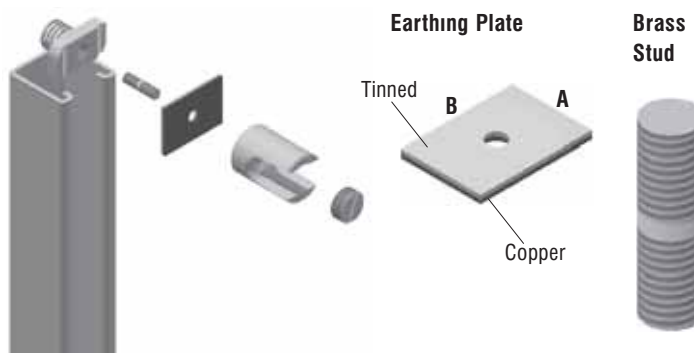


▶▶ EARTHING PLATE

Description	A (mm)	B (mm)	Order Code
Earthing Plate	30	42	1015435

▶▶ BRASS STUD

Description	Order Code
Brass Stud M6x22	1015430



■ Please indicate order code in your orders.

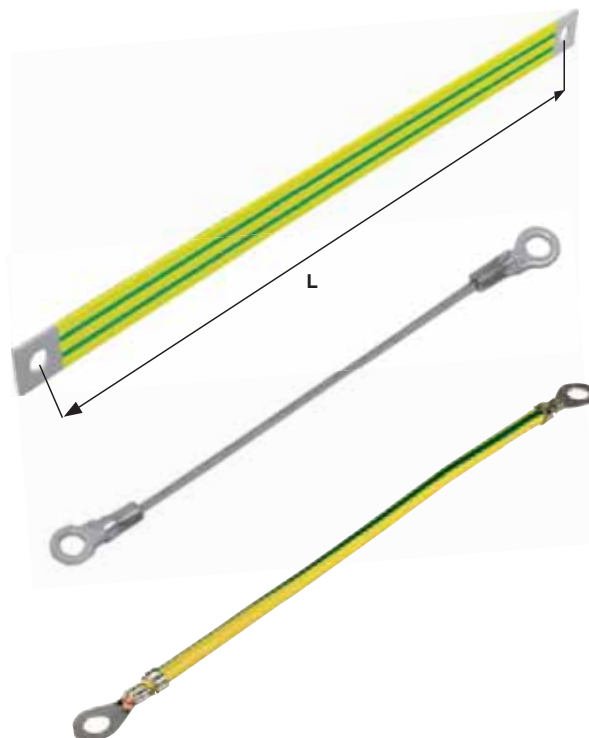
■ Please contact us for special size.

■ Material weights may vary by $\pm 10\%$

►► GROUNDING CONDUCTOR

Description	Conductor Cross Section	Length (L)	Order Code
Grounding Conductor-10-370	10 mm ²	370 mm	1022651
Grounding Conductor-16-370	16 mm ²	370 mm	1022652
Grounding Conductor-25-370	25 mm ²	370 mm	1022653
Grounding Conductor-35-370	35 mm ²	370 mm	1022654
Grounding Conductor-50-370	50 mm ²	370 mm	1022655
Grounding Conductor-70-370	70 mm ²	370 mm	1022656
Grounding Conductor-95-370	95 mm ²	370 mm	1022657
Grounding Conductor-120-370	120 mm ²	370 mm	1022658

For assembly, 2 sets of M6x12 bolts must be ordered separately.

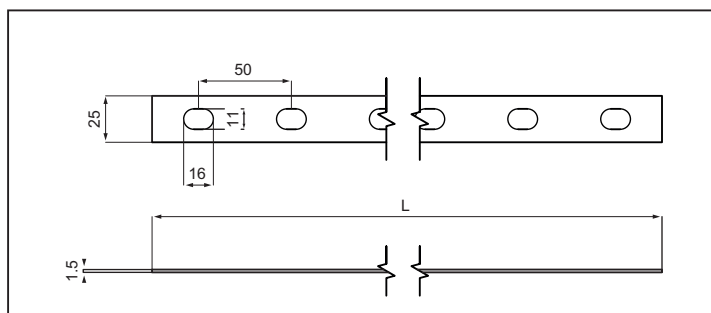


Earthing Conductor Selection Table:

Copper Conductor (Cu)	
Ungrounded Largest Conductor Cross Section within the Channel	Minimum Earthing Conductor Cross Section
≤ 35 mm ²	10 mm ²
50 mm ²	16 mm ²
70 mm ² -95 mm ²	25 mm ²
96 mm ² – 185 mm ²	35 mm ²
186 mm ² – 400 mm ²	50 mm ²
401 mm ² – 650 mm ²	70 mm ²

►► PEAR CLAMP

Description	Length (L)	Weight (kg./pc.)	Order Code
PEAR CLAMP (Hot Dip Galvanized)	3000	0,86	3188125
PEAR CLAMP (Pre-galvanized)	3000	0,777	3188126



►► CONDUIT WITHOUT THREAD PRE-GALVANIZED COATED

Description	EMT Measure	Outer Diameter	Joint Thickness (mm)	Weight (kg/pc)	Code Pregalvanized
EMT 1/2" PG	1/2"	17,93	1,07	0,44	1034678
EMT 3/4" PG	3/4"	23,42	1,25	0,68	1034679
EMT 1" PG	1"	29,54	1,45	1,00	1034680
EMT 1 1/4" PG	1 1/4"	38,35	1,65	1,49	1034681
EMT 1 1/2" PG	1 1/2"	44,20	1,65	1,73	1034682
EMT 2" PG	2"	55,80	1,65	2,20	1034683
EMT 2 1/2" PG	2 1/2"	73,03	1,83	3,07	1034684
EMT 3" PG	3"	88,90	1,83	3,87	1034685
EMT 4" PG	4"	114,30	2,11	5,81	1034686



►► CONDUIT WITHOUT THREAD GALVANIZED COATED

EMT Measure	Outer Diameter	Joint Thickness (mm)	Weight (kg/pc)	Code Pregalvanized
EMT 1/2" HDG	17,93	1,07	0,44	1034687
EMT 3/4" HDG	23,42	1,25	0,68	1034688
EMT 1" HDG	29,54	1,45	1,00	1034689
EMT 1 1/4" HDG	38,35	1,65	1,49	1034690
EMT 1 1/2" HDG	44,20	1,65	1,73	1034691
EMT 2" HDG	55,80	1,65	2,20	1034692
EMT 2 1/2" HDG	73,03	1,83	3,07	1034693
EMT 3" HDG	88,90	1,83	3,87	1034694
EMT 4" HDG	114,30	2,11	5,81	1034695



- Lütfen siparişlerinizde sipariş kodunu bildiriniz.
- Özel ölçülerdeki siparişleriniz için lütfen firmamızı arayınız.

- Malzeme ağırlıkları yaklaşık değerlerdir, ± % 10 değişim gösterebilir.

▶▶ PIPING SYSTEMS

Description	Weight (kg/pc)	Order Code	Pack (pc.)
Fitting Component to Floor	0,392	3008316	-
Fitting Component to Wall	0,091	3008323	-



Fitting Component to Wall



Fitting Component to Floor

Description	Weight (kg/pc)	Order Code	Pack (pc.)
UK Fixing Component to Cable Tray	0,080	3008315	-

UK Fixing Component to Cable Tray



Description	Weight (kg/pc)	Order Code	Pack (pc.)
(Ø 25) Flexible Sleeve	0,070	1004289	-
(Ø 42) Flexible Sleeve	0,155	1004288	-

Flexible Sleeve



Description	Weight (kg/pc)	Order Code
(Ø 25) Pipe	0,320	1004300
(Ø 42) Pipe	0,490	1004299

Pipe



Description	Weight (kg/pc)	Order Code
(Ø 25) Flexible Pipe	0,054	1004292
(Ø 42) Flexible Pipe	0,072	1004291

Flexible Pipe



►► FIXING ACCESSORIES

Description	Weight (kg/pc)	Order Code
"T" Fixing Fitting	0,074	3008265
"T" Ceiling Connection Part	0,076	3008324

Description	Weight (kg/pc)	Order Code
Cotter Pin	0,025	1004310

Description	Weight (kg/pc)	Order Code
Socket Mounting Plate (Pre)	0,327	3006652

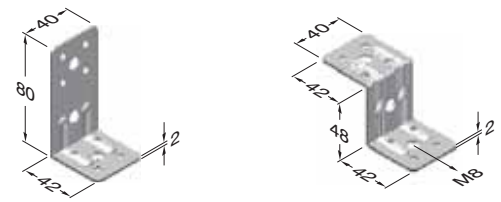
Description	Weight (kg/pc)	Order Code
Socket Mounting Plate (HDG)	0,359	3006653

Description	Weight (kg/pc)	Order Code
Cable Tray Extension Bolt M6x12	0,009	1004314
Binrak Extension Bolt M8x15	0,010	1004285
Edge Protection Strip-One Side	0,070	1001414
Edge Protection Strip-Double Side	0,140	1001454

Description	Weight (kg/pc)	Order Code
EAE Zinc Spray	-	1000172

Description	Weight (kg/pc)	Order Code
Zinga Paint (1kg)	-	1015740
Zinga Paint (5kg)	-	1015741

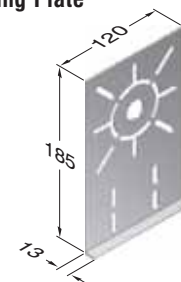
Description	Weight (kg/pc)	Order Code
BR 21x41 Protection Cover	0,005	1020340
BR 41x41 Protection Cover	0,008	1020339



Cotter Pin



Socket Mounting Plate



Edge Protection Strip-One Side

Edge Protection Strip-Double Side



EAE Zinc Spray

400ml



Zinga Paint



BR 21x41 Protection Cover

BR 41x41 Protection Cover

■ EAE recommends to apply ZINGA paint to the cut areas of the products. Please see INFO section for the product's technical specifications and usage.

■ Please indicate order code in your orders.

■ Please contact us for special size.

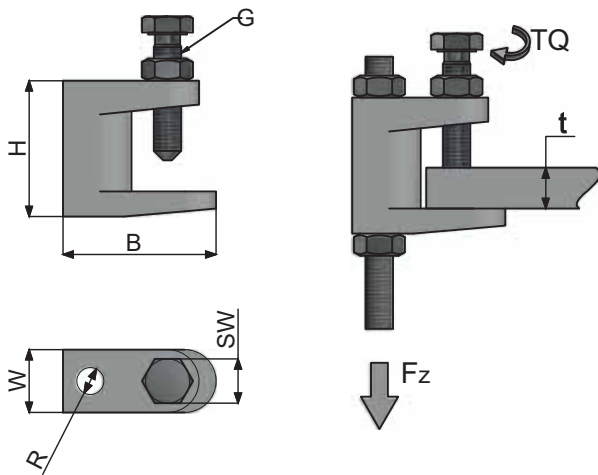
■ BRA 8 supplementary bolt kit; Contains 1 unit M6x12 dished head bolt + 1 unit M6 flanged nut. Coated with standard lac.

■ Material weights may vary by $\pm 10\%$

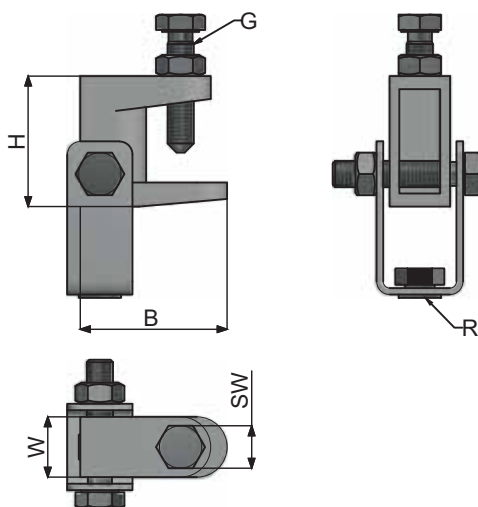
▶▶ BEAM CLAMP

Product	Technical Information							DIMENSIONS				Order Code
	Tightening Bolt G	Support Rod R	Max. Wall Thickness	Max. Safe Load Fz	Tightening Wrench	Spring Load	B	H	W	Weight (kg./pc.)		
M8 Beam Clamp	M8	M8	12 mm	120	13 mm	7 Nm	45mm	40mm	18,5mm	0,170	5000004	
M10 Beam Clamp	M10	M8	15 mm	240	17 mm	7 Nm	48 mm	45mm	21mm	0,180	5000005	
M8 Beam Clamp	M8	M8	12 mm	120	13 mm	7 Nm	45mm	40mm	18,5mm	0,220	5000001	
M10 Beam Clamp	M10	M10	15 mm	240	17 mm	7 Nm	48mm	45mm	21mm	0,230	5000002	
M12 Beam Clamp	M10	M12	15 mm	240	17 mm	7 Nm	48mm	45mm	21mm	0,340	5000003	

▶▶ CLAMP



▶▶ BEAM CLAMP



Beam Clamp

M8
M10



Beam Clamp

M8
M10
M12



* Clamps shall be used for constructions with a maximum wall thickness of 15 mm.

* Recommended torque value for clamps is 7 Nm.

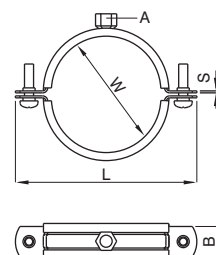
■ Please indicate order code in your orders.

■ Please contact us for special size.

■ Material weights may vary by $\pm 10\%$

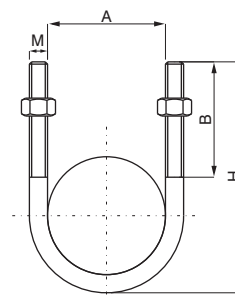
►► FIXING ACCESSORIES

Description	SxB	W	L	A	Weight (kg/pc)	Order Code
Pipe Clamp 3/8"	1,5x20	16-20	58,5	M8	0,057	1003620
Pipe Clamp 1/2"	1,5x20	20-24	62,5	M8	0,061	1003621
Pipe Clamp 3/4"	1,5x20	25-28	68,5	M8	0,067	1003622
Pipe Clamp 1"	1,5x20	32-35	76	M8	0,075	1003623
Pipe Clamp 1 1/4"	1,5x20	39-46	91,5	M8	0,092	1003624
Pipe Clamp 1 1/2"	1,5x20	48-53	99	M8	0,101	1003625
Pipe Clamp 2"	1,5x20	59-66	112	M8	0,117	1003626
Pipe Clamp 2 1/2"	2x25	74-80	134	M10	0,210	1003627
Pipe Clamp 3"	2x25	87-94	146,5	M10	0,228	1003628
Pipe Clamp 4"	2,5x25	110-116	173	M10	0,310	1003629
Pipe Clamp 5"	2,5x25	135-143	199	M10	0,358	1003630
Pipe Clamp 6"	2,5x25	162-170	227	M10	0,398	1003631
Pipe Clamp 8"	2,5x25	207-219	280,7	M10	0,523	1003632



►► FIXING ACCESSORIES

Description	A	H	B	M	Weight (kg/pc)	Order Code
U Bolt 1/2"	24	50	30	M6	0,049	1003652
U Bolt 3/4"	30	60	30	M6	0,052	1003653
U Bolt 1"	36	70	30	M8	0,054	1003654
U Bolt 1 1/4"	46	80	40	M8	0,063	1003655
U Bolt 1 1/2"	52	90	50	M8	0,068	1003656
U Bolt 2"	64	100	50	M10	0,136	1003657
U Bolt 2 1/2"	78	120	50	M10	0,155	1003658
U Bolt 3"	94	140	60	M12	0,266	1003659
U Bolt 4"	118	160	65	M12	0,332	1003661
U Bolt 5"	146	200	65	M12	0,400	1003662
U Bolt 6"	172	220	90	M16	0,756	1003660
U Bolt 8"	224	270	90	M16	1,500	1004128



■ Please indicate order code in your orders.

■ Please contact us for special size.

■ Material weights may vary by $\pm 10\%$

▶▶ CONDUIT WITHOUT THREAD PRE-GALVANIZED

Description	EMT Measure	Outer Diameter	Joint Thickness (mm)	Weight (kg/pc)	Code Pregalvanized
EMT 1/2" PG	1/2"	17,93	1,07	0,44	1034678
EMT 3/4" PG	3/4"	23,42	1,25	0,68	1034679
EMT 1" PG	1"	29,54	1,45	1,00	1034680
EMT 1 1/4" PG	1 1/4"	38,35	1,65	1,49	1034681
EMT 1 1/2" PG	1 1/2"	44,20	1,65	1,73	1034682
EMT 2" PG	2"	55,80	1,65	2,20	1034683
EMT 2 1/2" PG	2 1/2"	73,03	1,83	3,07	1034684
EMT 3" PG	3"	88,90	1,83	3,87	1034685
EMT 4" PG	4"	114,30	2,11	5,81	1034686



▶▶ CONDUIT WITHOUT THREAD HOT-DIP-GALVANIZED

EMT Measure	Outer Diameter	Joint Thickness (mm)	Weight (kg/pc)	Code Pregalvanized
EMT 1/2" HDG	17,93	1,07	0,44	1034687
EMT 3/4" HDG	23,42	1,25	0,68	1034688
EMT 1" HDG	29,54	1,45	1,00	1034689
EMT 1 1/4" HDG	38,35	1,65	1,49	1034690
EMT 1 1/2" HDG	44,20	1,65	1,73	1034691
EMT 2" HDG	55,80	1,65	2,20	1034692
EMT 2 1/2" HDG	73,03	1,83	3,07	1034693
EMT 3" HDG	88,90	1,83	3,87	1034694
EMT 4" HDG	114,30	2,11	5,81	1034695



■ Please indicate order code in your orders.

■ Please contact us for special size.

■ Material weights may vary by $\pm 10\%$

▶▶ EMT THREADLESS GALVANIZED STEEL PIPE ACCESSORIES (FITTINGS)

▶▶ END SOCKET, BOLTED TYPE / ZAMAK

Description	EMT Measure	Package Amount (pcs.)	Pack. Weight (kg.)	Order Code
Conduit 1/2" End socket, bolted type / ZAMAK	1/2"	100	2,20	1034696
Conduit 3/4" End socket, bolted type / ZAMAK	3/4"	100	3,20	1034697
Conduit 1" End socket, bolted type / ZAMAK	1"	50	2,60	1034698
Conduit 1 1/4" End socket, bolted type / ZAMAK	1 1/4"	25	2,20	1034699
Conduit 1 1/2" End socket, bolted type / ZAMAK	1 1/2"	20	2,20	1034700
Conduit 2" End socket, bolted type / ZAMAK	2"	10	1,60	1034701
Conduit 2 1/2" End socket, bolted type / ZAMAK	2 1/2"	40	11,00	1034702
Conduit 3" End socket, bolted type / ZAMAK	3"	40	14,00	1034703
Conduit 4" End socket, bolted type / ZAMAK	4"	20	11,00	1034704



▶▶ END SOCKET, TIGHTENING TYPE / ZAMAK

Description	EMT Measure	Package Amount (pcs.)	Pack. Weight (kg.)	Order Code
Conduit 1/2" End socket, tightening type / ZAMAK	1/2"	100	3,00	1034705
Conduit 3/4" End socket, tightening type / ZAMAK	3/4"	50	2,40	1034706
Conduit 1" End socket, tightening type / ZAMAK	1"	50	3,80	1034707
Conduit 1 1/4" End socket, tightening type / ZAMAK	1 1/4"	25	2,80	1034708
Conduit 1 1/2" End socket, tightening type / ZAMAK	1 1/2"	20	3,40	1034709
Conduit 2" End socket, tightening type / ZAMAK	2"	10	2,60	1034710
Conduit 2 1/2" End socket, tightening type / ZAMAK	2 1/2"	40	13,00	1034711
Conduit 3" End socket, tightening type / ZAMAK	3"	40	18,00	1034712
Conduit 4" End socket, tightening type / ZAMAK	4"	20	15,00	1034713



▶▶ END SOCKET, BOLTED TYPE / STEEL

Description	EMT Measure	Package Amount (pcs.)	Pack. Weight (kg.)	Order Code
Conduit 1/2" End socket, bolted type / STEEL	1/2"	50	2,12	1034714
Conduit 3/4" End socket, bolted type / STEEL	3/4"	25	1,49	1034715
Conduit 1" End socket, bolted type / STEEL	1"	20	1,89	1034716
Conduit 1 1/4" End socket, bolted type / STEEL	1 1/4"	25	4,10	1034717
Conduit 1 1/2" End socket, bolted type / STEEL	1 1/2"	25	4,50	1034718
Conduit 2" End socket, bolted type / STEEL	2"	20	4,70	1034719
Conduit 2 1/2" End socket, bolted type / STEEL	2 1/2"	12	4,00	1034720
Conduit 3" End socket, bolted type / STEEL	3"	12	4,80	1034721
Conduit 4" End socket, bolted type / STEEL	4"	6	3,30	1034722



▶▶ END SOCKET, TIGHTENING TYPE / STEEL

Description	EMT Measure	Package Amount (pcs.)	Pack. Weight (kg.)	Order Code
Conduit 1/2" End socket, tightening type / STEEL	1/2"	25	1,43	1034723
Conduit 3/4" End socket, tightening type / STEEL	3/4"	25	2,05	1034724
Conduit 1" End socket, tightening type / STEEL	1"	10	1,32	1034725
Conduit 1 1/4" End socket, tightening type / STEEL	1 1/4"	25	4,40	1034726
Conduit 1 1/2" End socket, tightening type / STEEL	1 1/2"	20	5,00	1034727
Conduit 2" End socket, tightening type / STEEL	2"	15	4,80	1034728
Conduit 2 1/2" End socket, tightening type / STEEL	2 1/2"	8	6,00	1034729
Conduit 3" End socket, tightening type / STEEL	3"	4	3,60	1034730
Conduit 4" End socket, tightening type / STEEL	4"	4	5,00	1034731



■ Please indicate order code in your orders.

■ Please contact us for special size.

■ Material weights may vary by ± 10%

▶▶ EMT THREADLESS GALVANIZED STEEL PIPE ACCESSORIES

▶▶ SCREW TYPE JOINTS / ZAMAK

Description	EMT Measure	Package Amount (pcs.)	Pack. Weight (kg.)	Order Code
Conduit 1/2" Coupling socket, bolted type / ZAMAK	1/2"	100	2,20	1034732
Conduit 3/4" Coupling socket, bolted type / ZAMAK	3/4"	100	3,20	1034733
Conduit 1" Coupling socket, bolted type / ZAMAK	1"	50	2,60	1034734
Conduit 1 1/4" Coupling socket, bolted type / ZAMAK	1 1/4"	25	2,20	1034735
Conduit 1 1/2" Coupling socket, bolted type / ZAMAK	1 1/2"	20	2,20	1034736
Conduit 2" Coupling socket, bolted type / ZAMAK	2"	10	1,60	1034737
Conduit 2 1/2" Coupling socket, bolted type / ZAMAK	2 1/2"	40	11,00	1034738
Conduit 3" Coupling socket, bolted type / ZAMAK	3"	40	14,00	1034739
Conduit 4" Coupling socket, bolted type / ZAMAK	4"	20	11,00	1034740



▶▶ COUPLING SOCKET, TIGHTENING TYPE / ZAMAK

Description	EMT Measure	Package Amount (pcs.)	Pack. Weight (kg.)	Order Code
Conduit 1/2" Coupling socket, tightening type / ZAMAK	1/2"	100	3,80	1034741
Conduit 3/4" Coupling socket, tightening type / ZAMAK	3/4"	50	2,80	1034742
Conduit 1" Coupling socket, tightening type / ZAMAK	1"	50	4,20	1034743
Conduit 1 1/4" Coupling socket, tightening type / ZAMAK	1 1/4"	25	3,40	1034744
Conduit 1 1/2" Coupling socket, tightening type / ZAMAK	1 1/2"	20	3,60	1034745
Conduit 2" Coupling socket, tightening type / ZAMAK	2"	10	2,40	1034746
Conduit 2 1/2" Coupling socket, tightening type / ZAMAK	2 1/2"	40	14,70	1034747
Conduit 3" Coupling socket, tightening type / ZAMAK	3"	40	18,80	1034748
Conduit 4" Coupling socket, tightening type / ZAMAK	4"	20	16,60	1034749



▶▶ COUPLING SOCKET, BOLTED TYPE / STEEL

Description	EMT Measure	Package Amount (pcs.)	Pack. Weight (kg.)	Order Code
Conduit 1/2" Coupling socket, bolted type / STEEL	1/2"	50	1,87	1034750
Conduit 3/4" Coupling socket, bolted type / STEEL	3/4"	25	1,34	1034751
Conduit 1" Coupling socket, bolted type / STEEL	1"	20	1,66	1034752
Conduit 1 1/4" Coupling socket, bolted type / STEEL	1 1/4"	25	4,20	1034753
Conduit 1 1/2" Coupling socket, bolted type / STEEL	1 1/2"	25	4,70	1034754
Conduit 2" Coupling socket, bolted type / STEEL	2"	20	5,20	1034755
Conduit 2 1/2" Coupling socket, bolted type / STEEL	2 1/2"	12	7,00	1034756
Conduit 3" Coupling socket, bolted type / STEEL	3"	12	9,00	1034757
Conduit 4" Coupling socket, bolted type / STEEL	4"	6	6,40	1034758



▶▶ COUPLING SOCKET, TIGHTENING TYPE / STEEL

Description	EMT Measure	Package Amount (pcs.)	Pack. Weight (kg.)	Order Code
Conduit 1/2" Coupling socket, tightening type / STEEL	1/2"	25	1,70	1034759
Conduit 3/4" Coupling socket, tightening type / STEEL	3/4"	25	2,30	1034760
Conduit 1" Coupling socket, tightening type / STEEL	1"	10	1,43	1034761
Conduit 1 1/4" Coupling socket, tightening type / STEEL	1 1/4"	25	4,70	1034762
Conduit 1 1/2" Coupling socket, tightening type / STEEL	1 1/2"	20	5,80	1034763
Conduit 2" Coupling socket, tightening type / STEEL	2"	15	4,70	1034764
Conduit 2 1/2" Coupling socket, tightening type / STEEL	2 1/2"	8	7,00	1034765
Conduit 3" Coupling socket, tightening type / STEEL	3"	4	4,20	1034766
Conduit 4" Coupling socket, tightening type / STEEL	4"	4	6,10	1034767



■ Please indicate order code in your orders.

■ Please contact us for special size.

■ Material weights may vary by $\pm 10\%$

▶▶ EMT THREADLESS GALVANIZED STEEL PIPE ACCESSORIES (CROCHES / CLAMPS)

▶▶ FASTENING CLIP, TWO HOLES / STEEL

Description	EMT Measure	Outer Diameter (mm)	Package Amount (pcs.)	Package Weight (kg.)	Order Code
Conduit 1/2" Fastening clip, two holes / STEEL	1/2"	17,93	100	2,20	1034768
Conduit 3/4" Fastening clip, two holes / STEEL	3/4"	23,42	100	3,20	1034769
Conduit 1" Fastening clip, two holes / STEEL	1"	29,54	50	2,60	1034770
Conduit 1 1/4" Fastening clip, two holes / STEEL	1 1/4"	38,35	25	2,20	1034771
Conduit 1 1/2" Fastening clip, two holes / STEEL	1 1/2"	44,20	20	2,20	1034772
Conduit 2" Fastening clip, two holes / STEEL	2"	55,80	10	1,60	1034773
Conduit 2 1/2" Fastening clip, two holes / STEEL	2 1/2"	73,03	40	11,00	1034774
Conduit 3" Fastening clip, two holes / STEEL	3"	88,90	40	14,00	1034775
Conduit 4" Fastening clip, two holes / STEEL	4"	114,30	20	11,00	1034776



▶▶ FASTENING CLIP, SINGLE HOLE

Description	EMT Measure	Outer Diameter (mm)	Package Amount (pcs.)	Package Weight (kg.)	Order Code
Conduit 1/2" Fastening clip, single hole / STEEL	1/2"	17,93	100	3,80	1034777
Conduit 3/4" Fastening clip, single hole / STEEL	3/4"	23,42	100	2,80	1034778
Conduit 1" Fastening clip, single hole / STEEL	1"	29,54	50	4,20	1034779
Conduit 1 1/4" Fastening clip, single hole / STEEL	1 1/4"	38,35	25	3,40	1034780
Conduit 1 1/2" Fastening clip, single hole / STEEL	1 1/2"	44,20	20	3,60	1034781
Conduit 2" Fastening clip, single hole / STEEL	2"	55,80	10	2,40	1034782
Conduit 2 1/2" Fastening clip, single hole / STEEL	2 1/2"	73,03	40	14,70	1034783
Conduit 3" Fastening clip, single hole / STEEL	3"	88,90	40	18,80	1034784
Conduit 4" Fastening clip, single hole / STEEL	4"	114,30	20	16,60	1034785



▶▶ HANGER CLIP

Description	EMT Measure	Package Amount (pcs.)	Package Weight (kg.)	Order Code
Conduit 1/2" Hanger clip/ STEEL	1/2"	50	1,87	1034786
Conduit 3/4" Hanger clip/ STEEL	3/4"	25	1,34	1034787
Conduit 1" Hanger clip/ STEEL	1"	20	1,66	1034788
Conduit 1 1/4" Hanger clip/ STEEL	1 1/4"	25	4,20	1034789
Conduit 1 1/2" Hanger clip/ STEEL	1 1/2"	25	4,70	1034790
Conduit 2" Hanger clip/ STEEL	2"	20	5,20	1034791
Conduit 2 1/2" Hanger clip/ STEEL	2 1/2"	12	7,00	1034792
Conduit 3" Hanger clip/ STEEL	3"	12	9,00	1034793
Conduit 4" Hanger clip/ STEEL	4"	6	6,40	1034794



▶▶ FASTENING CLIP, TWO HOLES

Description	EMT Measure	Package Amount (pcs.)	Package Weight (kg.)	Order Code
Conduit 1/2" Strut hanger clip / STEEL	1/2"	25	1,70	1034795
Conduit 3/4" Strut hanger clip / STEEL	3/4"	25	2,30	1034796
Conduit 1" Strut hanger clip / STEEL	1"	10	1,43	1034797
Conduit 1 1/4" Strut hanger clip / STEEL	1 1/4"	25	4,70	1034798
Conduit 1 1/2" Strut hanger clip / STEEL	1 1/2"	20	5,80	1034799
Conduit 2" Strut hanger clip / STEEL	2"	15	4,70	1034800
Conduit 2 1/2" Strut hanger clip / STEEL	2 1/2"	8	7,00	1034801
Conduit 3" Strut hanger clip / STEEL	3"	4	4,20	1034802
Conduit 4" Strut hanger clip / STEEL	4"	4	6,10	1034803



■ Please indicate order code in your orders.

■ Please contact us for special size.

■ Material weights may vary by ± 10%

▶▶ EMT THREADLESS GALVANIZED STEEL PIPE ACCESSORIES (ADAPTERS)

▶▶ CONDUIT TO FLEXIBLE CONNECTOR / BOLTED, TIGHTENING /ZAMAK

Description	EMT Measure	Suitable Spiral Measure	Package Amount (kg.)	Order Code
Conduit 1/2" Conduit to Flexible Connector / bolted, tightening /ZAMAK	1/2"	MN... -16	50	1034804
Conduit 3/4" Conduit to Flexible Connector / bolted, tightening /ZAMAK	3/4"	MN... -21	50	1034805
Conduit 1" Conduit to Flexible Connector / bolted, tightening/ZAMAK	1"	MN... -26	25	1034806
Conduit 1 1/4" Conduit to Flexible Connector / bolted, tightening/ZAMAK	1 1/4"	MN... -35	20	1034807
Conduit 1 1/2" Conduit to Flexible Connector / bolted, tightening/ZAMAK	1 1/2"	MN... -40	10	1034808
Conduit 2" Conduit to Flexible Connector / bolted, tightening/ZAMAK	2"	MN... -52	10	1034809
Conduit 2 1/2" Conduit to Flexible Connector / bolted, tightening/ZAMAK	2 1/2"	MN... -63	25	1034810
Conduit 3" Conduit to Flexible Connector / bolted, tightening/ZAMAK	3"	MN... -78	20	1034811
Conduit 4" Conduit to Flexible Connector / bolted, tightening/ZAMAK	4"	MN... -102	10	1034812



▶▶ CONDUIT TO FLEXIBLE CONNECTOR/ TIGHTENING/ZAMAK

Description	EMT Measure	Suitable Spiral Measure	Package Amount (kg.)	Order Code
Conduit 1/2" Conduit to Flexible Connector/ tightening/ZAMAK	1/2"	MN... -16	100	1034813
Conduit 3/4" Conduit to Flexible Connector/ tightening/ZAMAK	3/4"	MN... -21	50	1034814
Conduit 1" Conduit to Flexible Connector/ tightening/ZAMAK	1"	MN... -26	25	1034815
Conduit 1 1/4" Conduit to Flexible Connector/ tightening/ZAMAK	1 1/4"	MN... -35	20	1034816
Conduit 1 1/2" Conduit to Flexible Connector/ tightening/ZAMAK	1 1/2"	MN... -40	10	1034817
Conduit 2" Conduit to Flexible Connector/ tightening/ZAMAK	2"	MN... -52	10	1034818
Conduit 2 1/2" Conduit to Flexible Connector/ tightening/ZAMAK	2 1/2"	MN... -63	25	1034819
Conduit 3" Conduit to Flexible Connector/ tightening/ZAMAK	3"	MN... -78	20	1034820
Conduit 4" Conduit to Flexible Connector/ tightening/ZAMAK	4"	MN... -102	10	1034821



▶▶ CONDUIT TO FLEXIBLE CONNECTOR/ BOLTED TYPE/ZAMAK

Description	EMT Measure	Suitable Spiral Measure	Package Amount (kg.)	Order Code
Conduit 1/2" Conduit to Flexible Connector/ bolted type/ZAMAK	1/2"	MN... -16	50	1034822
Conduit 3/4" Conduit to Flexible Connector/ bolted type/ZAMAK	3/4"	MN... -21	40	1034823
Conduit 1" Conduit to Flexible Connector/ bolted type/ZAMAK	1"	MN... -26	20	1034824



▶▶ CONNECTOR/ BOLTED TYPE/STEEL

Description	EMT Measure	Suitable Spiral Measure	Package Amount (kg.)	Order Code
Conduit 1/2" Conduit to Flexible Connector/ bolted type/STEEL	1/2"	MN... -16	50	1034825
Conduit 3/4" Conduit to Flexible Connector/ bolted type/STEEL	3/4"	MN... -21	50	1034826
Conduit 1" Conduit to Flexible Connector/ bolted type/STEEL	1"	MN... -26	25	1034827
Conduit 1 1/4" Conduit to Flexible Connector/ bolted type/STEEL	1 1/4"	MN... -35	20	1034828
Conduit 1 1/2" Conduit to Flexible Connector/ bolted type/STEEL	1 1/2"	MN... -40	10	1034829
Conduit 2" Conduit to Flexible Connector/ bolted type/STEEL	2"	MN... -52	10	1034830
Conduit 2 1/2" Conduit to Flexible Connector/ bolted type/STEEL	2 1/2"	MN... -63	25	1034831
Conduit 3" Conduit to Flexible Connector/ bolted type/STEEL	3"	MN... -78	20	1034832
Conduit 4" Conduit to Flexible Connector/ bolted type/STEEL	4"	MN... -102	10	1034833



■ Please indicate order code in your orders.

■ Please contact us for special size.

■ Material weights may vary by ± 10%

▶▶ EMT THREADLESS GALVANIZED STEEL PIPE ACCESSORIES (ELBOWS)

▶▶ 45°- STEEL BEND

Description	EMT Measure	Suitable Spiral Measure	Package Amount (kg.)	Order Code
Conduit 1/2" Steel bend 45°	1/2"	100	10,60	1034834
Conduit 3/4" Steel bend 45°	3/4"	100	17,50	1034835
Conduit 1" Steel bend 45°	1"	50	17,50	1034836
Conduit 1 1/4" Steel bend 45°	1 1/4"	40	28,00	1034837
Conduit 1 1/2" Steel bend 45°	1 1/2"	40	32,50	1034838
Conduit 2" Steel bend 45°	2"	15	13,50	1034839
Conduit 2 1/2" Steel bend 45°	2 1/2"	10	20,00	1034840
Conduit 3" Steel bend 45°	3"	9	24,50	1034841
Conduit 4" Steel bend 45°	4"	9	43,00	1034842



▶▶ 90°- STEEL BEND

Description	EMT Measure	Package Amount (pcs.)	Package Weight (kg.)	Order Code
Conduit 1/2" Steel bend 90°	1/2"	200	20,0	1034843
Conduit 3/4" Steel bend 90°	3/4"	100	12,0	1034844
Conduit 1" Steel bend 90°	1"	50	16,0	1034845
Conduit 1 1/4" Steel bend 90°	1 1/4"	25	14,0	1034846
Conduit 1 1/2" Steel bend 90°	1 1/2"	20	16,0	1034847
Conduit 2" Steel bend 90°	2"	15	18,0	1034848
Conduit 2 1/2" Steel bend 90°	2 1/2"	10	20,0	1034849
Conduit 3" Steel bend 90°	3"	9	24,5	1034850
Conduit 4" Steel bend 90°	4"	9	43,0	1034851



▶▶ 90°- CONTROL BEND, BOLTED TYPE

Description	EMT Measure	Package Amount (pcs.)	Package Weight (kg.)	Order Code
Conduit 1/2" Control bend 90° , bolted type	1/2"	50	3,2	1034852
Conduit 3/4" Control bend 90° , bolted type	3/4"	40	4,2	1034853
Conduit 1" Control bend 90° , bolted type	1"	20	4,0	1034854



▶▶ 90°- CONTROL BEND SIDE CAP

Description	EMT Measure	Package Amount (pcs.)	Package Weight (kg.)	Order Code
Conduit 1/2" Control bend side cap 90°	1/2"	50	3,6	1034855
Conduit 3/4" Control bend side cap 90°	3/4"	25	2,2	1034856
Conduit 1" Control bend side cap 90°	1"	20	3,2	1034857



▶▶ ELBOW BOLTED TYPE

Description	EMT Measure	Package Amount (pcs.)	Package Weight (kg.)	Order Code
Conduit 1/2" Elbow bolted type	1/2"	100	3,4	1034858
Conduit 3/4" Elbow bolted type	3/4"	50	2,2	1034859
Conduit 1" Elbow bolted type	1"	50	3,0	1034860



■ Please indicate order code in your orders.

■ Please contact us for special size.

■ Material weights may vary by ± 10%

▶▶ EMT THREADLESS GALVANIZED STEEL PIPE ACCESSORIES (ELBOWS)

▶▶ 90 ° - SIDE COVER - RECORDER-SCREWED ELBOW

Description	EMT Measure	Pack. Amount of	Pack. Weight (kg.)	Order Code
Conduit 1/2" Control bend side cap bolted type 90°	1/2"	50	3,2	1034861
Conduit 3/4" Control bend side cap bolted type 90°	3/4"	40	4,2	1034862
Conduit 1" Control bend side cap bolted type 90°	1"	20	4,0	1034863

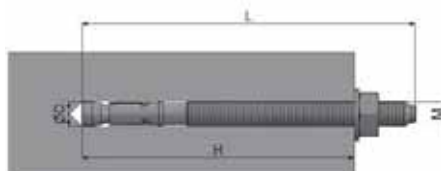


▶▶ CLIP-ON ANCHOR BOLT

Description	Weight (kg./ad.)	Order Code
EAE Clip-on Anchor M8	1/2"	1034861
EAE Clip-on Anchor M10	3/4"	1034862
EAE Clip-on Anchor M12	1"	1034863



M	L (mm)	ØD (mm)	H (mm)
M8	75	75	75
M10	90	90	90
M12	110	110	110



■ Please indicate order code in your orders.

■ Please contact us for special size.

■ Material weights may vary by ± 10%

E-LINE INFO

CABLE TRAY SYSTEMS



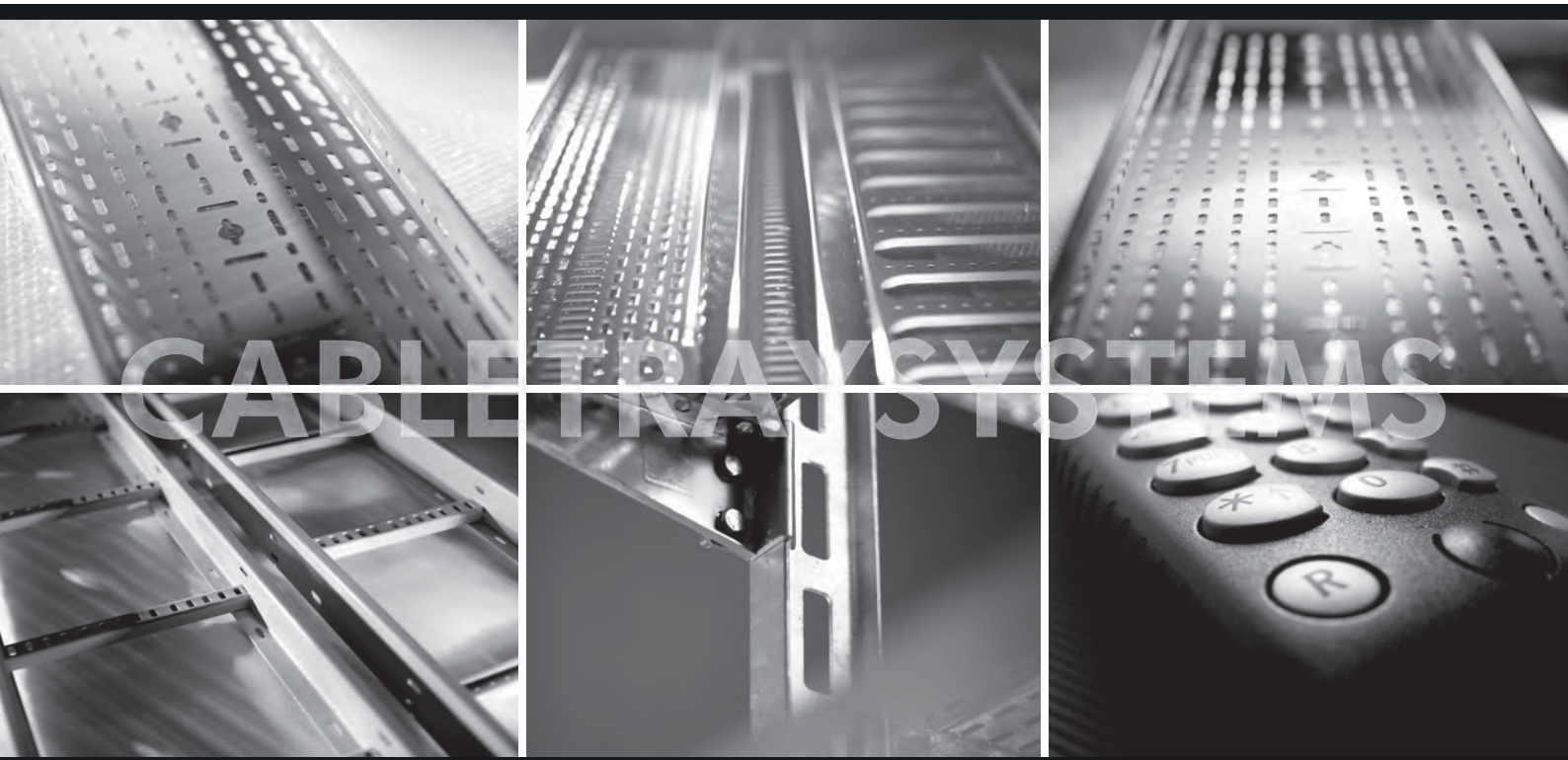
Technical Information
Certificates
General Product Specifications
Weight Carriage Figures

INFO

www.eaeelectric.com



ELEKTRİK

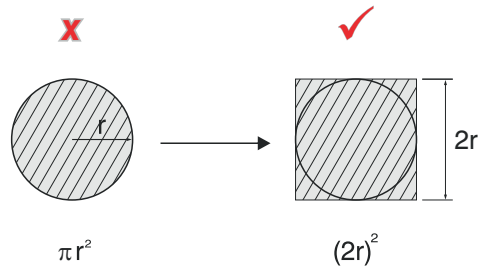


CONTENTS

2-13	Technical Specification
14-15	Certificates
16	System Functionality in Case of Fire
17	UKFE Cable Tray Product Overview
18	UKS Cable Tray Product Overview
19	UKFG Universal Cable Tray Overview
20	UKF-C Universal Cable Tray Overview
21	UMK Cable Ladder Product Overview
22	KM Cable Ladder Product Overview
23	TKS Cable Tray Product Overview
24	CTHF-E Cable Tray Product Overview
25	CTH-CTA Cable Tray Product Overview
	KMH-KMA Cable Ladder Product Overview
26	Cable Baskets Product Overview
27	Packaging

▶▶ SELECTION OF CABLE SUPPORT SYSTEMS

The following method can be used to select the correct tray or ladder for the cable being used.

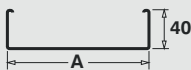
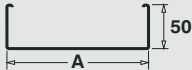
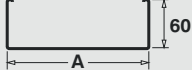


- 1- For the calculation of cross sectional area of the cable use $(2r)^2$ formula instead of πr^2
- 2- Find out the total cross-section by calculating all cables.
- 3- Select the leave 20% reserve for cable additions.
- 4- Select the appropriate cable support system from the following table.
- 5- Select the nearest large value to the total cross section while making the selection

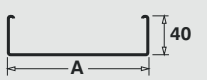
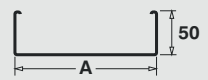
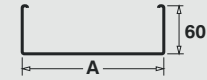
UKS/UKD/UKF/UMK/ - CTHF/CTN/CTH/CTA/CTK Cable Trays

		Tray Height (mm)						
		40	50	60	75	100	125	150
Tray Width (mm)	50	2000	2500	-----	-----	-----	-----	-----
	100	4000	5000	6000	7500	10000	-----	-----
	150	6000	7500	9000	11250	15000	18750	-----
	200	8000	10000	12000	15000	20000	25000	30000
	250	10000	12500	15000	18750	25000	31250	37500
	300	12000	15000	18000	22500	30000	37500	45000
	400	16000	20000	24000	30000	40000	50000	60000
	500	20000	25000	30000	37500	50000	62750	75000
600	24000	30000	36000	45000	60000	75000	90000	

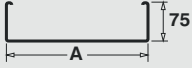
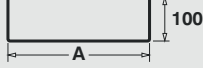
►► Cable Layout Table (Support distance 1,5 m)

A	Values								
	Nominal Cross-section mm ²	Cable Outer Diameter mm	Net Weight (kg/m)	Quantity	Total Weight (kg/m)	Quantity	Total Weight (kg/m)	Quantity	Total Weight (kg/m)
50	4x1,5	13,0	0,250	8	2,000	12	3,000	12	3,000
	4x2,5	14,5	0,330	8	2,640	8	2,640	10	3,300
	4x4	16,5	0,435	6	2,610	6	2,610	9	3,915
	4x6	17,5	0,545	5	2,725	6	3,270	7	3,815
	4x10	19,5	0,745	3	2,235	3	2,235	5	3,725
	4x16	21,5	1,030	3	3,090	4	4,120	4	4,120
	4x25	27,5	1,610	1	1,610	2	3,220	2	3,220
	4x35	30,0	2,080	1	2,080	1	2,080	2	4,160
4x50	33,0	2,690	1	2,690	1	2,690	1	2,690	
100	4x1,5	13,0	0,250	21	5,250	28	7,000	33	8,250
	4x2,5	14,5	0,330	15	4,950	19	6,270	24	7,920
	4x4	16,5	0,435	12	5,220	18	7,830	19	8,265
	4x6	17,5	0,545	10	5,450	15	8,175	15	8,175
	4x10	19,5	0,745	9	6,705	9	6,705	14	10,430
	4x16	21,5	1,030	7	7,210	8	8,240	11	11,330
	4x25	27,5	1,610	3	4,830	5	8,050	6	9,660
	4x35	30,0	2,080	3	6,240	3	6,240	5	10,400
4x50	33,0	2,690	2	5,380	3	8,070	3	8,070	
150	4x1,5	13,0	0,250	32	8,000	42	10,500	48	12,000
	4x2,5	14,5	0,330	23	7,590	31	10,230	39	12,870
	4x4	16,5	0,435	16	6,960	24	10,440	27	11,745
	4x6	17,5	0,545	15	8,175	22	11,990	24	13,080
	4x10	19,5	0,745	14	10,430	15	11,175	21	15,645
	4x16	21,5	1,030	10	10,300	12	12,360	17	17,510
	4x25	27,5	1,610	5	8,050	5	8,050	9	14,490
	4x35	30,0	2,080	4	10,400	6	12,480	8	16,640
4x50	33,0	2,690	4	10,760	4	10,760	6	16,140	
200	4x1,5	13,0	0,250	44	11,000	58	14,500	65	16,250
	4x2,5	14,5	0,330	25	8,250	38	12,540	50	16,500
	4x4	16,5	0,435	23	10,005	33	14,355	33	14,355
	4x6	17,5	0,545	21	11,445	27	14,715	32	17,440
	4x10	19,5	0,745	19	14,155	22	16,390	29	21,605
	4x16	21,5	1,030	13	13,390	17	17,510	22	22,660
	4x25	27,5	1,610	7	11,270	10	16,100	13	20,930
	4x35	30,0	2,080	6	12,480	8	16,640	11	22,880
4x50	33,0	2,690	5	13,450	6	16,140	9	24,210	
250	4x1,5	13,0	0,250	53	13,250	74	18,500	83	20,750
	4x2,5	14,5	0,330	40	13,200	51	16,830	68	22,440
	4x4	16,5	0,435	29	12,615	44	19,140	47	20,445
	4x6	17,5	0,545	27	14,715	41	22,345	41	22,345
	4x10	19,5	0,745	23	17,135	27	20,115	35	26,075
	4x16	21,5	1,030	16	16,480	20	20,600	27	27,810
	4x25	27,5	1,610	9	14,490	13	20,930	17	27,370
	4x35	30,0	2,080	8	16,640	10	20,800	15	31,200
4x50	33,0	2,690	7	18,830	7	18,830	11	29,590	

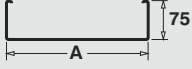
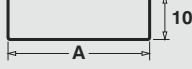
►► Cable Layout Table (Support distance 1,5 m)

A	Values								
	Nominal Cross-section mm ²	Cable Outer Diameter mm	Net Weight (kg/m)	Quantity	Total Weight (kg/m)	Quantity	Total Weight (kg/m)	Quantity	Total Weight (kg/m)
300	4x1,5	13,0	0,250	65	16,250	86	21,500	97	24,250
	4x2,5	14,5	0,330	48	15,840	59	19,470	78	25,740
	4x4	16,5	0,435	36	15,660	53	23,055	58	25,230
	4x6	17,5	0,545	32	17,440	47	25,615	47	25,615
	4x10	19,5	0,745	29	21,605	32	23,840	44	32,780
	4x16	21,5	1,030	20	20,600	26	26,780	38	39,140
	4x25	27,5	1,610	10	16,100	14	22,540	20	32,200
	4x35	30,0	2,080	9	18,720	12	24,960	18	37,440
	4x50	33,0	2,690	8	21,520	8	21,520	13	34,970
400	4x1,5	13,0	0,250	89	22,250	118	29,500	130	32,500
	4x2,5	14,5	0,330	68	22,440	80	26,400	107	35,310
	4x4	16,5	0,435	47	20,445	71	30,885	71	30,885
	4x6	17,5	0,545	41	22,345	65	35,425	65	35,425
	4x10	19,5	0,745	40	29,800	46	34,270	59	43,955
	4x16	21,5	1,030	26	26,780	35	36,050	44	45,320
	4x25	27,5	1,610	14	22,540	19	30,590	28	45,080
	4x35	30,0	2,080	13	27,040	17	35,360	26	54,080
	4x50	33,0	2,690	11	29,590	11	29,590	18	48,420
500	4x1,5	13,0	0,250	113	28,250	113	28,250	163	40,750
	4x2,5	14,5	0,330	80	26,400	99	32,670	115	37,950
	4x4	16,5	0,435	57	24,795	87	37,845	93	40,455
	4x6	17,5	0,545	55	29,975	55	29,975	74	40,330
	4x10	19,5	0,745	49	36,505	49	36,505	44	32,780
	4x16	21,5	1,030	35	36,050	44	45,320	54	55,620
	4x25	27,5	1,610	18	28,980	26	41,860	32	51,520
	4x35	30,0	2,080	16	33,280	20	41,600	14	29,120
	4x50	33,0	2,690	14	37,660	14	37,660	22	59,180
600	4x1,5	13,0	0,250	134	33,500	178	44,500	196	49,000
	4x2,5	14,5	0,330	98	32,340	116	38,280	155	51,150
	4x4	16,5	0,435	72	31,320	105	45,675	108	46,980
	4x6	17,5	0,545	65	35,425	65	35,425	98	53,410
	4x10	19,5	0,745	58	43,210	58	43,210	88	65,560
	4x16	21,5	1,030	41	42,230	53	54,590	65	66,950
	4x25	27,5	1,610	21	33,810	31	49,910	42	67,620
	4x35	30,0	2,080	19	39,520	25	52,000	37	76,960
	4x50	33,0	2,690	17	45,730	17	45,730	27	72,630

►► Cable Layout Table (Support distance 1,5 m)

A	Values						
	Nominal Cross-section mm ²	Cable Outer Diameter mm	Net Weight (kg/m)	Quantity	Total Weight (kg/m)	Quantity	Total Weight (kg/m)
100	4x1,5	13,0	0,250	42	10,500	-	-
	4x2,5	14,5	0,330	30	9,900	-	-
	4x4	16,5	0,435	25	10,875	-	-
	4x6	17,5	0,545	20	10,900	-	-
	4x10	19,5	0,745	18	13,410	-	-
	4x16	21,5	1,030	12	12,360	-	-
	4x25	27,5	1,610	6	9,660	-	-
	4x35	30,0	2,080	6	12,480	-	-
	4x50	33,0	2,690	5	13,450	-	-
150	4x1,5	13,0	0,250	63	15,750	84	21,000
	4x2,5	14,5	0,330	48	15,840	67	22,110
	4x4	16,5	0,435	40	17,400	48	20,880
	4x6	17,5	0,545	32	17,440	48	26,160
	4x10	19,5	0,745	28	20,860	36	26,820
	4x16	21,5	1,030	19	19,570	30	30,900
	4x25	27,5	1,610	9	14,490	18	28,980
	4x35	30,0	2,080	8	16,640	14	29,120
	4x50	33,0	2,690	8	21,520	11	29,590
200	4x1,5	13,0	0,250	87	21,750	116	29,000
	4x2,5	14,5	0,330	65	21,450	91	30,030
	4x4	16,5	0,435	55	23,925	66	28,710
	4x6	17,5	0,545	42	22,890	63	34,335
	4x10	19,5	0,745	40	29,800	60	44,700
	4x16	21,5	1,030	26	26,780	43	44,290
	4x25	27,5	1,610	13	20,930	26	41,860
	4x35	30,0	2,080	12	24,960	18	37,440
	4x50	33,0	2,690	11	29,590	17	45,730
250	4x1,5	13,0	0,250	111	27,750	148	37,000
	4x2,5	14,5	0,330	83	27,390	117	38,610
	4x4	16,5	0,435	73	31,755	87	37,845
	4x6	17,5	0,545	56	30,520	81	44,145
	4x10	19,5	0,745	42	31,290	67	49,915
	4x16	21,5	1,030	33	33,990	55	56,650
	4x25	27,5	1,610	17	27,370	34	54,740
	4x35	30,0	2,080	15	31,200	23	47,840
	4x50	33,0	2,690	14	37,660	21	56,490

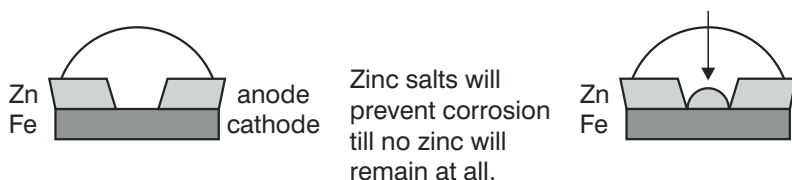
►► Cable Layout Table (Support distance 1,5 m)

A	Values						
	Nominal Cross-section mm ²	Cable Outer Diameter mm	Net Weight (kg/m)	Quantity	Total Weight (kg/m)	Quantity	Total Weight (kg/m)
300	4x1,5	13,0	0,250	132	33,000	176	44,000
	4x2,5	14,5	0,330	100	33,000	140	46,200
	4x4	16,5	0,435	87	37,845	94	40,890
	4x6	17,5	0,545	66	35,970	99	53,955
	4x10	19,5	0,745	62	46,190	91	67,795
	4x16	21,5	1,030	39	40,170	65	66,950
	4x25	27,5	1,610	24	38,640	36	57,960
	4x35	30,0	2,080	18	37,440	29	60,320
	4x50	33,0	2,690	17	45,730	26	69,940
400	4x1,5	13,0	0,250	150	37,500	210	52,500
	4x2,5	14,5	0,330	133	43,890	186	61,380
	4x4	16,5	0,435	118	51,330	141	61,335
	4x6	17,5	0,545	88	47,960	132	71,940
	4x10	19,5	0,745	82	61,090	112	83,440
	4x16	21,5	1,030	54	55,620	90	92,700
	4x25	27,5	1,610	32	51,520	56	90,160
	4x35	30,0	2,080	25	52,000	38	79,040
	4x50	33,0	2,690	23	61,870	35	94,150
500	4x1,5	13,0	0,250	225	56,250	300	75,000
	4x2,5	14,5	0,330	168	55,440	235	77,550
	4x4	16,5	0,435	118	51,330	177	76,995
	4x6	17,5	0,545	112	61,040	168	91,560
	4x10	19,5	0,745	102	75,990	156	116,220
	4x16	21,5	1,030	68	70,040	113	116,390
	4x25	27,5	1,610	53	85,330	70	112,700
	4x35	30,0	2,080	32	66,560	48	99,840
	4x50	33,0	2,690	29	78,010	44	118,360
600	4x1,5	13,0	0,250	270	67,500	360	90,000
	4x2,5	14,5	0,330	203	66,990	284	93,720
	4x4	16,5	0,435	178	77,430	213	92,655
	4x6	17,5	0,545	134	73,030	201	109,545
	4x10	19,5	0,745	126	93,870	158	117,710
	4x16	21,5	1,030	81	83,430	135	139,050
	4x25	27,5	1,610	53	85,330	84	135,240
	4x35	30,0	2,080	38	79,040	57	118,560
	4x50	33,0	2,690	36	96,840	54	145,260

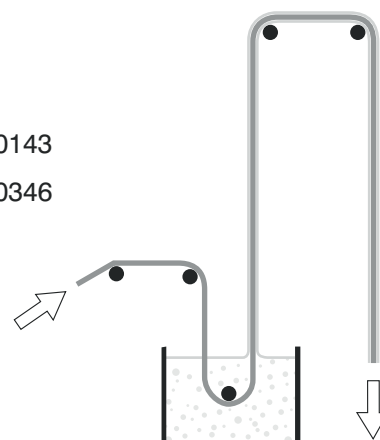
►► Pre-galvanized (Material that has been through the hot dip procedure before production.)

Sheet metal manufacturers plate sheet rolls in continuous hot dip galvanizing baths. Plating thickness by this process will reach up to minimum 10-14 μm .

Material plated by the pre-galvanizing method will be protected against corrosion on cut surfaces due to the cathodic effect between the zinc and the steel elements. (It is valid and effective up to 2mm thickness).



TS EN 10143
TS EN 10346



►► Hot Dip Galvanization After Fabrication

This method is the process of plating plain steel materials by dipping into molten zinc melt after fabrication. Plating thickness by this process will reach up to a minimum of 45 μm .

TS EN ISO 1461



Corrosion of zinc plated and unprotected steel in atmosphere.

Atmosphere Types	Erosion of zinc coating (μ/year)	Erosion of unprotected steel (μ/year)
Open field	1,0- 3,4	6 - 60
Sea side	2,4-15,0	20 -170
City	1,0- 6,0	30 - 70
Industry	3,8-19,0	30 -160
Tropical climate	1,0- 9,7	1 - 70

►► Corrosion Categories As Per DIN EN ISO 12944

Corrosion category	Typical indoor ambient	Typical outdoor ambient	Corrosion load	Average zinc layer	Suitable coating type
C 1	Buildings with fresh air and air conditioning such as Offices, Department Stores, Schools, Hotels	-	Very Low	<0,1µm/year	TS EN 10346 TS EN 10143 PREGALVANIZE
C 2	Unheated buildings where condensation may happen, for example: Warehouses, fitness centres	Environments where less pollution exists.	Low	0,1 - 0,7 µm/year	TS EN10346 TS EN 10143 PREGALVANIZE
C 3	Environments where high humidity levels and partial air pollution exist	Metropolitan and industrial environments, moderately polluted areas due to sulphur dioxide, sea-side resorts with low salt concentration.	Mild	0,7 - 2,1µm/years	TS EN ISO 1461 HOT-DIP
C 4	Chemical facilities, swimming pools, facilities over the sea.	Industrial zones and zones with low salt concentration.	Strong	2,1 - 4,2 µm/years	TS EN ISO 1461 HOT-DIP
C5	Buildings or zones where continuous condensation and strong pollution is possible.	Industrial zones where high humidity and an aggressive environment is possible.	Very Strong	4,2 - 8,4 µm/years	Duplex (Hot -Dip + Electrostatic Powder Paint Coating) or 316L-Stainless
C 6	Buildings or zones where continuous condensation occurs and strong pollution is probable.	Sea shores with a high salt concentration or open sea environments.	Extremely Strong	>4,2 - 8,4 µm/years	Duplex (Hot -Dip + Electrostatic Powder Paint Coating) or 316L-Stainless

►► Paint

Epoxy Paint;

- Resistance against chemical substances is very high.
- Resistance against corrosion is excellent
- Surface hardness is high.
- It is not suitable for exterior application since, it has no UV resistance and durability, it becomes chalky.
- Yellowing in colour may occur over time.
- Matt paints in different brightness and properties can be easily formulated.

Epoxy/ Polyester Paint;

- Resistance against exterior effects is limited.
- Yellowing in colour may occur over time.
- If there is no excessive corrosive medium or chemical effect, it is suitable to be applied inside interior locations.
- It is difficult to obtain fully matt paint.
- Mechanical properties are suitable for daily application such as impact, flexibility and scratching.

Polyester Paint;

- UV resistance is very good, it provides excellent resistance and durability under exterior conditions.
- It will not become yellowish and discolour.
- Mechanical properties are very good (such as impact, flexibility etc.)



►► Protection of Galvanized Sheet Metal during the Period of Stockpiling

By the virtue of its composition, the galvanized sheet metal is known to be particularly sensitive against the effects of materials of acidic character, polluted air, water and relative humidity present above a certain rate. The service life of galvanized sheet metal is shorter in the industrial areas where the air is densely polluted. The most important element of atmospheric air pollution is sulphur dioxide.

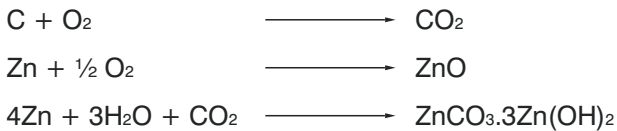


The sulphurous and sulphuric acid forming at various rates reacts with the zinc and causes corrosion in the layer of galvanization.

Decreasing the rate of atmospheric pollution or reducing it to zero will not be possible on an individual basis. To prevent the likely corrosion of the galvanized layer due to air pollution in stockpiling will be possible only by stockpiling the galvanized sheet metal in well protected warehouses.

The matter causing the greatest concern regarding galvanized sheet steel are the white coloured spots called white rust, which develop on the surface of sheet metal during the course of stockpiling. Its development, however, can be minimized, even completely eliminated, by taking proper measures.

The white rust is the result of a chemical reaction between zinc and the carbon dioxide, oxygen and water or moisture in the air.



The white rust phenomenon occurs during the stockpiling of galvanized sheet metal as a result of combined action of above-stated parameters and mostly in the case of stock-piled sheet metal. As the air with a high rate of moisture will be trapped between the pieces of stocked sheet metal, any differences in temperature will cause the trapped air to reach the dew point, leading to formation of droplets of water on the surfaces of sheet metal pieces. As a result, the oxygen dissolved in water will react with Zn to produce zinc hydroxide while the carbon dioxide present in the air will react with zinc to produce zinc carbonate. The combined result of these two reactions will lead to the development of zinc carbonate zinc hydroxide, called white rust.

In order to protect the stacked sheet metal against the effects of white rust for a certain period of time, although not for long, the pieces of sheet metal are subjected to a process named passivation. During this process, a protective film is produced on the surface of galvanized sheet metal through a chemical reaction. That protective film will protect the galvanized sheet metal against the formation of white rust for a certain period of time. In order to ensure said protection, however, the following conditions must be strictly observed.

- Stacked sheet metal must never be allowed to come in contact with water.
- There must be sufficient space provided for continuous circulation of air in the place where they are stacked.
- There must be sufficient space provided for proper circulation of air between the stacks of sheet metal (min 300mm between the two stacks).
- The temperature differences in the places of stockpiling must be small (between 5-10°C).
- The relative humidity in the places of stockpiling must not exceed 70%.
- The sheet metal must not be stockpiled in places where there is air pollution.
- Where the stacked sheet metal is to be stockpiled for long periods of time, each piece of sheet metal must be examined periodically, and any droplets of water likely to be formed on the surfaces of sheet metal must be wiped off and the surfaces must be dried.
- The stacks must be placed, without fail, on wooden palettes or props as to prevent the sheet metal to come in contact with the floor.

When the above conditions are fulfilled, it will be possible to ensure proper circulation of air in the place of stockpiling, thereby ensuring the formation of white rust at a reduced level.

►► Zinga Paint

In the event that galvanized metallic products are cut and used in construction sites, the protective coating layer of the cut-off sections are damaged, and as a result, the material's strength against the corrosion is compromised. In order to avoid such a compromise and to improve the service life of the material, EAE recommends to apply ZINGA paint to cut-off sections.

ZINGA SPECIFICATIONS

- It contains 99.995% zinc as specified in ISO 3549 standard. The remaining part is composed of synthetic resin, pigments and solvents. The ZINGA layer which dries after its application to the surface contains 96%zinc in approximate.

- It protects the applied surfaces by way of two methods: Active and passive protection. The cathodic protection provided by it thanks to its high zinc content is called active protection. Zinc salts and zinc carbonates that are formed as a barrier following the application are called as passive protection.

- Its mechanical strength is high.
- It may be easily applied to locally corroded areas.
- It may be applied at such humidity values up to 95%.
- It may be easily applied by means of a brush or a roller.
- Dry ZINGA layer is not toxic.

Constituents	Zinc powder (produced by means of atomization process) Aromatic hydrocarbons binder and others
Density	2,67 kg/dm ³ (+ -0,06 kg/dm ³)
Quantity of solids	80 %by weight - 58% by volume
Thinner type	Zingasolv



APPLICATION DIRECTIONS

- Surface cracks that occur after the application of cut-off process will be ground.
- Ground surfaces are wiped off by means of a piece of cloth to ensure that there remains no dust and dirt.
- In order to ensure a homogenous distribution of the mixture in Zinga, the mixer apparatus will be dipped into the box by means of a drill, and the mixture operation continues until no solid particle remains at the bottom of the box.

- After Zinga reaches desired homogeneity, it will be applied to the cut-off surface with the help of a brush that is immune to the solvent and whose bristles are not nylon.

- A double-layer Zinga will be applied to reach nearly 80-100 micron coating thickness. The first layer must be strictly applied with the brush and nearly two hours should pass after the application. Then the second layer should be applied. During the application of the second layer, a roller should be used instead of the brush to obtain a smoother surface.

►► NYY Cable Diameter and Weight Values

Nominal Cross-Section mm ²	Cable Outer Diameter mm	Net Weight kg / m
1x4	9,0	0,125
1x6	9,5	0,150
1x10	10,5	0,200
1x16	11,5	0,265
1x25	13,5	0,385
1x35	14,5	0,490
1x50	15,0	0,610
1x70	16,7	0,820
1x95	18,5	1,090
1x120	20,0	1,340
1x150	22,0	1,610
1x185	24,1	2,000
1x240	27,5	2,630
2x1,5	12,0	0,195
2x2,5	13,0	0,250
2x4	14,5	0,320
2x6	15,5	0,385
2x10	17,0	0,510
2x16	19,0	0,675
2x25	23,5	1,040
2x35	25,5	1,320
2x50	28,0	1,680
2x70	31,5	2,225
2x95	36,0	3,000
2x120	39,0	3,660
2x150	42,5	4,440
2x185	47,5	5,510
2x240	54,0	7,210
3x1,5	12,5	0,220
3x2,5	13,5	0,285
3x4	15,0	0,370
3x6	16,0	0,455
3x10	18,0	0,615
3x16	20,0	0,835
3x25	24,5	1,290
3x35	27,5	1,680
3x50	30,0	2,130
3x70	33,5	2,880
3x95	38,5	3,890
3x120	41,5	4,730
3x150	46,0	5,810

Nominal Cross-Section mm ²	Cable Outer Diameter mm	Net Weight kg / m
3x185	51,5	7,250
3x240	58,0	9,430
3x16/10	21,0	0,955
3x25/16	26,0	1,460
3x35/16	28,5	1,830
3x50/25	31,5	2,410
3x70/35	35,5	3,270
3x95/50	40,5	4,380
3x120/70	44,5	5,490
3x150/70	48,0	6,470
3x185/95	54,0	8,190
3x240/120	61,5	10,680
4x1,5	13,0	0,250
4x2,5	14,5	0,330
4x4	16,5	0,435
4x6	17,5	0,545
4x10	19,5	0,745
4x16	21,5	1,030
4x25	27,5	1,610
4x35	30,0	2,080
4x50	33,0	2,690
5x1,5	14,0	0,290
7x1,5	15,0	0,345
10x1,5	18,0	0,465
12x1,5	18,5	0,515
14x1,5	19,0	0,570
19x1,5	21,0	0,705
21x1,5	22,0	0,770
24x1,5	24,0	0,870
30x1,5	25,5	1,040
40x1,5	28,0	1,300
5x2,5	15,5	0,385
7x2,5	16,5	0,460
10x2,5	20,0	0,635
12x2,5	21,0	0,710
14x2,5	21,5	0,805
19x2,5	24,0	0,990
21x2,5	25,5	1,110
24x2,5	28,0	1,260
30x2,5	29,5	1,490
40x2,5	33,0	1,910

►► Directive

CE DECLARATION OF CONFORMITY

Product Group Cable Trays, Cable Ladders and Accessories

Manufacturer EAE Elektrik Asansor End. Insaat San. ve Tic. A.S.
Akcaburgaz Mahallesi, 3114. Sokak,
No:10 34522 Esenyurt-Istanbul

This is to attest, under our sole responsibility, that the aforementioned products conforms with the following regulations and standards.

Standard :

TS EN 61537

"Cable Tray Systems and Cable Ladder Systems"

CE - Directive

2014/35/EU "Electrical equipment designed for use within certain voltage limits"

Technical Document Preparation Official:

EAE Elektrik Asansor End. Insaat San. ve Tic. A.S.
Akcaburgaz Mahallesi, 3114. Sokak, No:10 34522 Esenyurt-Istanbul

Emre GÜRLEYEN

Date:

20.04.2016

Document Signing Authority

Elif Gamze KAYA OK
Assistant General Manager



TEST CERTIFICATE

Product: EAE Elektrik A.S. ...
Manufacturer: EAE Elektrik A.S. ...
Type: ...
Voltage: ...
Current: ...
Remarks: ...

For the product:

TEST CERTIFICATE

Product: EAE Elektrik A.S. ...
Manufacturer: EAE Elektrik A.S. ...
Type: ...
Voltage: ...
Current: ...
Remarks: ...

Design verification

TEST CERTIFICATE

Product: EAE Elektrik A.S. ...
Manufacturer: EAE Elektrik A.S. ...
Type: ...
Voltage: ...
Current: ...
Remarks: ...

per 2013

TEST CERTIFICATE

Product: EAE Elektrik A.S. ...
Manufacturer: EAE Elektrik A.S. ...
Type: ...
Voltage: ...
Current: ...
Remarks: ...

Meander 1051, 68...

TEST CERTIFICATE

Product: EAE Elektrik A.S. ...
Manufacturer: EAE Elektrik A.S. ...
Type: ...
Voltage: ...
Current: ...
Remarks: ...

Low-voltage busbar trunking system

TEST CERTIFICATE

Product: EAE Elektrik A.S. ...
Manufacturer: EAE Elektrik A.S. ...
Type: ...
Voltage: ...
Current: ...
Remarks: ...

Design verification

TEST CERTIFICATE

Product: EAE Elektrik A.S. ...
Manufacturer: EAE Elektrik A.S. ...
Type: ...
Voltage: ...
Current: ...
Remarks: ...

per 2013

TEST CERTIFICATE

Product: EAE Elektrik A.S. ...
Manufacturer: EAE Elektrik A.S. ...
Type: ...
Voltage: ...
Current: ...
Remarks: ...

Meander 1051, 68...

TEST CERTIFICATE

Product: EAE Elektrik A.S. ...
Manufacturer: EAE Elektrik A.S. ...
Type: ...
Voltage: ...
Current: ...
Remarks: ...

Low-voltage busbar trunking system

TEST CERTIFICATE

Product: EAE Elektrik A.S. ...
Manufacturer: EAE Elektrik A.S. ...
Type: ...
Voltage: ...
Current: ...
Remarks: ...

Design verification

TEST CERTIFICATE

Product: EAE Elektrik A.S. ...
Manufacturer: EAE Elektrik A.S. ...
Type: ...
Voltage: ...
Current: ...
Remarks: ...

per 2013

TEST CERTIFICATE

Product: EAE Elektrik A.S. ...
Manufacturer: EAE Elektrik A.S. ...
Type: ...
Voltage: ...
Current: ...
Remarks: ...

Meander 1051, 68...

CERTIFICATE

EAE Elektrik A.S.
Insaat San. ve
Akçaburgaz M.
34510 Esenyurt
Turkey

EAE
KXA06
Ui 1000 V, Uin
Icw 25 kA - 1 s
for more detail

EAE Elektrik A.S.
Insaat San. ve
Akçaburgaz M.
34510 Esenyurt
Turkey

Design verification

IEC 61439-6:
Clauses: 10.2
CC, and DD

Busbar trunking
is granted on ac
9.01-INC, 12 No

has been carried out
attestation does not
production with the

per 2013

in B.V.

his certificate and ac

Meander 1051, 68...
1 88 96 83100 www

IP55

10, 10.11, 10.10.1

DEKRA, the result

the product, subject
the manufacturer
is not the respons

100

in B.V.

per

2 ED Arnhem, The
registration 09085396

▶▶ SYSTEM FUNCTIONALITY IN CASE OF A FIRE Universal Ladder Tray Systems & Universal Suspension Systems

32% of all fires in the world every year are still attributable to electric contacts. Moreover this ratio continues to rise instead of an anticipated decline in parallel with the technological progress. It is obvious that it is not possible to fully avoid fires; but it is possible by taking certain safety measures to gain some vitally important time to ensure the safe evacuation of people!

E30-E90 Fire Resistance Standard is the international criteria that allows the operation of functions which is required to gain this time. Its basic purpose is to ensure that certain systems that are vitally important for people during a fire, including emergency lighting, elevator or public address systems will remain operational and functional. Considering the fact that cabling for the said systems is over the cable conveyor systems, it will be more clearly understood how important these conveyor systems are in order to ensure the continuity of this functionality.

The test will take place in a special test furnace which can be heated based on the standard temperature and time curve. Cable systems are rated E30-E90 based on the level by which they maintain their functionality and they are mandatory in low voltage facilities that do not exceed standard 1 kV value.

EAE organized more than thirty product tests together with the cable manufacturers listed below. These brands include: Dätwyler, Eupen, Faber, Studer, Prysmian, Electro-Draad and (cable brands of the tests held in Russia).

While a duct or ladder is laid down, the equivalent load is determined pursuant to DIN 4102-12 / 7.3.2.4. Maximum load should be taken as 10kg/m for the ducts while it should be taken as 20kg/m for the ladders. While cables are laid down in a duct or ladder, duct bearing elements should be used at 1200mm intervals.

The test is applicable for cable and cable conveyor system combinations; it may display varieties for static structure.

►► EAE UNIVERSAL CABLE DUCTS GENERAL PRODUCT SPECIFICATIONS (UKFE) Universal Ladder Duct Systems & Universal Suspension Systems

- 1) Heavy-duty Universal Cable bearers should be used in such areas designated on the project; they should be made of perforated sheet plates to ensure the horizontal distribution of cables (edges are circularly bent inwards and nearly 10mm diameter from one edge to the other)
- 2) Universal Cable bearers with a breadth between 100 - 300 mm should be made galvanized sheet plate with a thickness of 0.7 mm; in case this breadth is between 400-600 mm, the thickness of the galvanized plate should be 0,9 mm. Right-angled edge height of cable bearer ducts should be 40mm in all ducts. However, based on the cable's cross section and density, the edge height may be 40mm in all ducts where necessary.
- 3) Sheet plate cable ducts should be manufactured in units with equal length, which should not be less than three meters.
- 4) Holes will be perforated at the edges of and into the universal cable ducts along the entire length of the duct to secure ventilation. Hole sizes should be 7 x 32 mm. Holes exactly at the mid-axis inside the interior of the duct should be a single line set of holes in parallel with the wider part of the duct. All holes should lie parallel along the duct. **These holes should be formed in minimum 3mm in order to enhance the duct strength.**
- 5) In **UKFE** Cable bearer manufacture, galvanized sheet plate that conforms to **TS EN 10346 - TS EN 10143** standards should be used. High-quality iron-based sheet plate material should be coated with zinc by means of hot dipping method in line with **TS EN 10346 - TS EN 10143** standarts. Afterwards, universal cable ducts and accessories should be manufactured from galvanized sheet plate.
- 6) Upon demand, following this manufacture, RAL-coded epoxy polyester and electrostatic dust paint should be applied. The product should be kiln-dried at 180°C following the painting. Paint thickness should be minimum 50 µm. Painted duct and its accessories should be later packaged for protection purposes. The length of ducts with paint application over galvanize: should be L=3000 mm. (During the installation, in case of cable duct cut etc, electrostatic powder paint liquified with cellulosic thinner in a container (the consistence should be like that of oil paint) should be applied to cut-off spots by means of a brush for retouch purposes and 2 hours should pass for drying.
- 7) At places where the height of universal cable ducts changes, level change modules or level change annexations should be used.
- 8) At places where the bearer duct changes direction (based on the need): 90° horizontal turn element, horizontal (T) connection element (+) quadruplet turn elements concave rotation convex turn elements should be used. The areas where these elements are used should not be sharp angled.
- 9) In vertical ups and downs, in panel cable connections and socket group etc connections: Vertical (T) wall climbing-down element – Vertical (T) mid-climbing down/ up element should be used.
- 10) Connections between bearer ducts should be made by means of junction elements. Every size length should be 3m. 2 junction elements shall be used at every three meters. Installation of all turn elements shall be made by interlocking them to ducts (**there is no need for junction element**). Bolt holes should be in conformity with M6 additional bolt set. M6x12-dome head interlockable bolt and flanged nut sets should be used.
- 11) Due to the intense number of cables, Reduction Modules will be used for the connection of ducts with different widths.
- 12) For connection installations, **lacquer-coated** nuts or bolts etc in line with metric system (M6 Additional Bolt set) will be used.
- 13) For all connections for turn modules and reduction modules 4 M6x12 additional bolt and nut sets will be used (for H=40 mm) and 8 sets will be used (for H=60mm).
- 14) No walking on the cable duct is permitted and these should not be used as walking paths.

►► EAE UNIVERSAL CABLE TRAY SPECIFICATIONS (UKS) Universal Cable Duct Systems & Universal Hanger Systems

- 1) In the places designated in the project, the Universal Cable Trays made of perforated sheet metal steel, having side edges rounded inwards (approx. 10mm in external diameter) and designed for use in heavy duty applications should be used for horizontal distribution of cables.
- 2) The Universal Cable Trays having a width of 50-100-150mm should be made from galvanized sheet metal steel of 1 mm thickness, those having a width of 200-250mm should be made from galvanized sheet metal steel of 1.2mm thickness and those having a width of 300-400-500mm should be made from galvanized metal of 1.5mm thickness. The right-angle side height of Cable Trays should be 40mm for all Cable Trays. However, depending on the cross section and placement density of Cable Trays, the side height may be 60mm for all Cable Trays, as required.
- 3) Sheet metal steel Cable Trays should be produced as uniform units of equal length, which should not be less than 3 metres. However, on demand, they should be produced in lengths of 4, 5 and 6 metres. **Moreover, it should be possible, on demand, to produce the galvanized sheet metal steel Cable Trays without any perforations.** In non-perforated productions of imperforated type, the holes should be opened only at the joints.
- 4) On the sides and bottom of Universal Cable Trays, holes should be opened along the whole length of Cable Tray in order to ensure air circulation. The size of holes should be 7mm x 15mm, 7mm x 25mm and 7mm x 35mm. Just at the middle of Cable Tray, holes of 7mm x 25mm should be opened in a direction perpendicular to the width of Cable Tray while holes of 7x35mm should be opened in a direction parallel to the width of Cable Tray. Just at the middle of Cable Tray, holes should be opened at 170mm intervals to accommodate couplings of 20.5mm in diameter.
- 5) Galvanized sheet metal steel conforming to **TS EN 10346 - TS EN 10143** standards should be used in the production of Cable Trays. The high-quality sheet metal steel of iron base should be coated with zinc using hot-dip method conforming to **TS EN 10346 - TS EN 10143**. Following that process, the Universal Cable Trays and their accessories should be produced using the galvanized sheet metal steel so obtained.
- 6) On demand, following the above production, an electrostatic powder paint of epoxy polyester class and having RAL code should be applied. Following painting, the product should be baked at 180°C. The thickness of paint should be minimum 50µ(micron). The painted Cable Trays and their accessories should then be packed for protection. The length of painted galvanized sheet iron Cable Trays should be L = 3000mm. (During the mounting of Cable Trays if the Trays are cut or the coat of paint is damaged otherwise, the electrostatic powder paint dispersed in cellulosic thinner in a container (as to have the consistency of oil paint) should be applied using a brush as a retouch, and allowed to dry for 2 hours.
- 7) Where the Universal Cable Trays descends or ascends, the level adaptation modules and level adaptation joints should be used.
- 8) In places where the Cable Tray changes direction, the 90° horizontal elbows, "T" shaped horizontal connecting pieces plus cross shaped horizontal turning pieces. The areas of application of then pieces should not have sharp corners.
- 9) In vertical descends and ascends, in panel cable connections and in socket group connections etc., a "T" shaped vertical wall descending piece and "T" shaped vertical central descending / ascending pieces should be used.
- 10) The connection of Cable Trays to each other should be made by means of joining pieces. The length of each piece shall be 3m. Two joining pieces shall be used at every three metres. The mounting of all turning pieces to the Cable Tray shall be realized as butt joints (**no need for extra joining pieces**). The bolt holes should match the M6 joining bolt and nut set. The m6 x12 bolt and nut set comprising round headed, self-locking bolts, and flanged nuts should be used.
- 11) In the case of densely placed Cable Trays, the connection of Cable Trays of different width shall be realized using reduction modules.
- 12) In the mounting of joining pieces, the **lacquer coated** bolts and nuts (M6 Joining Bolt and Nut Set) conforming to metric system shall be used.
- 13) In the connection of all turning modules and reduction modules, four M6 x12 joining bolt and nut set for M = 40mm and eight M6x12 joining bolt and nut set for M = 60mm shall be used.
- 14) Cable trays should not be walked on or used as walkways.

►► EAE UNIVERSAL CABLE TRAY SPECIFICATIONS (UKFG) Universal Cable Tray Systems & Universal Hanger Systems

- 1) UKFG serie cable tray system is produced in 3050 mm straight length . 50 mm of the straight length overlaps on the next's 50 mm at the connection point. Special Form on the bottom holes enhance the strenght of the tray . There is no need to use Joint Connector .For grounding; M6 x 12 pan-head locking bolts and skirted flange nuts set should be used.
- 2) In the places designated in the project, the Universal Cable Trays made of perforated sheet metal steel, having side edges rounded inwards (approx. 10mm in external diameter) and designed for use in heavy duty applications should be used for horizontal distribution of cables.
- 3) The Universal Cable Trays having a width of 100-200-300mm should be made from galvanized sheet metal steel of 0.7mm thickness, those having a width of 300-400-500-600mm should be made from galvanized sheet metal steel of 0,9mm thickness The right-angle side height of Cable Trays should be 40mm for all Cable Trays. However, depending on the cross section and placement density of Cable Trays, the side height may be 50-60mm for all Cable Trays, as required.
- 4) Sheet metal steel Cable Trays should be produced as uniform units of equal length, which should not be less than 3050 mm.
- 5) On the sides and bottom of Universal Cable Trays, holes should be opened along the whole length of Cable Tray in order to ensure air circulation. The size of holes should be 7mm x 25mm, 7x28, 7x57. The holes provided at the bottom of Cable Tray just on the middle axis should be opened in a single row and in a direction parallel to the wider part of Cable Tray, while all other holes should be opened in a direction parallel to the length of Cable Tray. **In order to increase the strength of Cable Tray, the holes should be profiled.** UKFG Serie cable tray can be hanged with threaded rod from the center hole which is Ø11. Ø 25 Key Hole allows you to assembly cable gland at the center.
- 6) Galvanized sheet metal steel conforming to **TS EN 10346 - TS EN 10143** standards should be used in the production of Cable Trays.
- 7) On demand, following the above production, an electrostatic powder paint of epoxy polyester class and having RAL code should be applied. Following painting, the product should be baked at 180°C. The thickness of paint should be minimum 50µ(micron). The painted Cable Trays and their accessories should then be packed for protection. The length of painted galvanized sheet iron Cable Trays should be L = 3050mm. (During the mounting of Cable Trays if the Trays are cut or the coat of paint is damaged otherwise, the electrostatic powder paint dispersed in cellulosic thinner in a container (as to have the consistency of oil paint) should be applied using a brush as a retouch, and allowed to dry for 2 hours.
- 8) Where the Universal Cable Trays descends or ascends, the level adaptation modules and level adaptation joints should be used.
- 9) In places where the Cable Tray changes direction, the 90° horizontal elbows, "T" shaped horizontal connecting pieces plus cross shaped horizontal turning pieces. The areas of application of then pieces should not have sharp corners.
- 10) In vertical descends and ascends, in panel cable connections and in socket group connections etc., a "T" shaped vertical wall descending piece and "T" shaped vertical central descending / ascending pieces should be used.
- 11) In the case of densely placed Cable Trays, the connection of Cable Trays of different width shall be realized using reduction modules.
- 12) In the mounting of joining pieces, the **lacquer coated** bolts and nuts (M6 Joining Bolt and Nut Set) conforming to metric system shall be used.

►► EAE UNIVERSAL CABLE TRAYS GENERAL PRODUCT SPECIFICATIONS (UKF-C) Universal Ladder Tray Systems & Universal Suspension Systems

1) UKF-C cable trays should be manufactured in the size of 3050 mm and they should interlock into each other by 50mm during the installation. Installation by means of bolts is possible. A strength-enhancing form should be applied to base holes on UKF-C cable tray. There is no need for the use of junction parts. But they should be optionally suitable for use of other junction parts. For earthing purposes, M6 x 12 dome head interlockable bolt and flanged nut sets should be used.

Heavy-duty Universal Cable bearers should be used in such areas designated on the project; they should be made of perforated sheet plates to ensure the horizontal distribution of cables (edges are circularly bent inwards and nearly 10mm diameter from one edge to the other)

3) Universal Cable bearers with a breadth between 100-200-300 mm should be made galvanized sheet plate with a thickness of 0.7 mm; in case this breadth is between 300-400-500-600 mm, the thickness of the galvanized plate should be 0,9 mm. Right-angled edge height of cable bearer ducts should be 40mm in all ducts. However, based on the cable's cross section and density, the edge height may be 50-60mm in all ducts where necessary.

4) Sheet plate cable ducts should be manufactured in units with equal length, which should not be less than 3050mm.

5) Holes will be perforated at the edges of and into the universal cable ducts along the entire length of the duct to secure ventilation. Hole sizes should be 7 x 25, 7 x 28, 7 x 57 mm. Holes exactly at the mid-axis inside the interior of the duct should be a single line set of holes in parallel with the wider part of the duct. All holes should lie parallel along the duct. **These holes should be formed in minimum 3mm. in order to enhance the duct strength.** There should be Ø 25 bush and Ø 11 rod noles at 87.5mm intervals exactly at the mid of the duct.

6) In **UKF-C** Cable bearer manufacture, galvanized sheet plate that conforms to **TS EN 10346 - TS EN 10143** standards should be used

7) Upon demand, following this manufacture, RAL-coded epoxy polyester and electrostatic dust paint should be applied. The product should be kiln-dried at 180°C following the painting. Paint thickness should be minimum 50 µm. Painted duct and its accessories should be later packaged for protection purposes. The length of ducts with paint application over galvanize: Paint thickness should be minimum 50 µm. (During the installation, in case of cable duct cut etc, electrostatic powder paint liquified with cellulosic thinner in a container (the consistence should be like that of oil paint) should be applied to cut-off spots by means of a brush for retouch purposes and 2 hours should pass for drying.

8) At places where the height of universal cable ducts changes, level change modules or level change annexations should be used.

9) At places where the bearer duct changes direction (based on the need): 90° horizontal turn element, horizontal (T) connection element (+) quadruplet turn elements concave rotation convex turn elements should be used. The areas where these elements are used should not be sharp angled.

10) In vertical ups and downs, in panel cable connections and socket group etc connections Vertical (T) wall climbing-down element – Vertical (T) mid-climbing down/ up element should be used.

11) Due to the intense number of cables, Reduction Modules will be used for the connection of ducts with different widths.

12) For connection installations, **lacquer-coated** nuts or bolts etc in line with metric system (M6 Additional Bolt set) will be used.

►► **EAE UNIVERSAL CABLE LADDER SPECIFICATIONS (UMK)**
Universal Cable Duct Systems & Universal Hanger Systems

- 1) Universal Cable Ladders shall be used in the places designated in the project for horizontal and vertical distribution of low current and telephone cables and for vertical as well as horizontal (when required) support of power and supply cables. The Universal Cable Ladders shall have sides with edges rounded inwards (approx. 10mm in external diameter), designed for use in heavy duty applications.
- 2) The Universal Cable Ladders having a width of 100mm shall be made from galvanized steel metal of 0.8mm thickness, those having a width of 200mm shall be made from galvanized sheet steel metal of 1mm thickness and those having a width up to 300, 400mm shall be made from galvanized sheet steel metal of 1.2mm thickness.
- 3) Galvanized Sheet Steel Metal Cable Ladders shall be produced as uniform units of equal length of 3 metres.
- 4) The sides of Cable Ladders shall be provided with holes opened along the whole length of Cable Ladder in order to ensure air circulation. The holes shall be 7mm x 32mm in size. The Cable Ladders shall be produced as one integral piece, the rungs being connected to the body of Cable Ladder without welding. The distance between the rungs shall be 125mm from axis to axis. The surface of rungs shall be provided with holes of 12mm diameter, spaced in intervals of 25mm. The Universal Cable Ladders shall be compatible with all of the turning modules of heavy duty type Cable Ladders having sides with a height of 60mm.
- 5) Cable Ladders should be produced using sheet steel metal conforming to **TS EN 10346 - TS EN 10143** standards. The high-quality sheet steel metal of iron base should be coated with zinc using hot-dip method conforming to **TS EN 10346 - TS EN 10143** standards. Following that process, the Universal Cable Ladders and their accessories should be produced using the galvanized sheet steel metal so obtained on demand, the Cable Ladders shall be painted with an electrostatic powder paint of epoxy polyester class conforming to RAL specifications. The thickness of paint should be minimum 50 microns.
- 6) In places where the Cable Ladder descends or ascends, the level adaptation modules or level adaptation joints shall be used.
- 7) In places where the Cable Ladder changes direction, the 90° horizontal elbows, "T" shaped horizontal connecting pieces and cross shaped horizontal turning pieces shall be used.
- 8) In vertical descends and ascends, in panel cable connections and in socket group connections etc. "T" shaped vertical wall descending piece "T" shaped vertical central descending / ascending pieces shall be used.
- 9) The connection of Cable Ladders to each other shall be made by means of joining pieces. The mounting of all turning pieces to the Ladder shall be realized as butt joints (**no need for extra joining pieces**). The length of each piece shall be 3m. Two joining pieces shall be used at every three metres. The bolt holes of joining pieces should match the M6 joining bolt and nut set.
- 10) In the case of densely placed Cable Ladders, the connections of Cable Ladders of different width shall be realized using reduction modules.
- 11) In the mounting of joining pieces, the **lacquer coated** M6 x 12 bolt and nut set conforming to metric system should be used. The bolts should be round headed, flanged and self-locking into their holes. The M6 nuts should be flanged and snug headed.
- 12) In the connection of all turning modules and reduction modules, eight M6 x 12 joining nut and bolt set should be used.
- 13) Cable ladders should not be walked on or used as walkways.

►► EAE Sheet Metal Cable Ladder General Product Specifications (KM) E-Line Cable Ladder Systems and Hanger Systems

1. Used for supporting of cables in project specified floor, horizontal and vertical distribution.
2. The stiffening bends of the side walls of the cable ladder should be 10 mm on top and 26 mm on bottom.
3. The slots for joint connection on the edges of the ladder should be 7x20 in size.
4. Cable ladder rungs should be riveted to sides of the ladder in 300 mm spacing.
5. In order to strengthen the cable ladder side walls, side walls should be formed along the side wall length.
6. Form count of the cable ladders should be one for 40-50-60 mm side wall heights, two for 75-100 mm side wall heights and three for 125-150 mm side wall heights.
7. Cable ladders should be produced in 3 m equal lengths. Upon request, should be able to be produced in 6 m lengths.
8. Cable ladders should be able to be folded only in one way.
9. Rungs of the cable ladders should be produced in C shape. C-shape rung should be 10 mm in height, 27 mm in width and the slots of the rung should be 7x15 mm in 25 mm axis spacing.
10. Production of cable ladders should follow **TS EN 61537**, **TS EN ISO 1461** standards. After puncture and bending, high quality iron based sheet material should be hot-dip galvanized following **TS EN ISO 1461** standard and coated with zinc. Before galvanization, required cleaning and oil removing processes should be done. After this process, washing and drying should be done and then flux bath process should be followed. Galvanize thickness should be min 14µm.
11. Sheet metal used in production of cable ladders should be according to **TS EN 10346 - TS EN 10143** standard. High quality iron based sheet material should be hot-dip galvanized according to **TS EN 10346 - TS EN 10143** standard. afterwards, production of cable ladder and accessories should be done with galvanized sheets.
12. In places where the Cable Ladder descends or ascends, the level adaptation modules or level adaptation joining pieces should be used.
13. The connection of Cable Ladders to each other should be made by means of two joining pieces for each Ladder. The mounting of all turning pieces to the Cable Ladder should be made using joining pieces.
14. In places where the Cable Ladder changes direction, the 90° horizontal elbows, "T" shaped horizontal connecting pieces and across shaped horizontal turning pieces should be used.
15. In the case of densely placed Cable Ladders, the connections of Cable Ladders of different width should be realized using the reduction modules. The central reduction module should comprise two symmetrical pieces. The left and right reduction modules should comprise a combination of one normal reduction piece and one joining piece.
16. In the mounting of joints, the lacquer coated M6 bolts and nut set should be used. The size of bolts should conform to M6 x12. The bolts should be round headed, flanged and capable of self locking into their holes. The M6 nuts should be flanged and snug headed.
17. For the mounting of both joining modules and reduction modules, 4 joining bolt and nut sets should be used for Cable Ladders having a side height of 40-50-60mm while 8 sets should be used for a side height of 75-100-125 mm and 12 sets for a side height of 150mm.
18. Cable trays should not be walked on or used as walkways.

►► EAE TKS TRUNKING CABLE TRAYS GENERAL PRODUCT SPECIFICATION (TKS)

EAE TRUNKING SYSTEM	The EAE trunking system is simple to use it is easily transported, and quick to install. The system also includes lightning and mechanical protection, for both the low current and high current installations.
	To increase strength, the tray edges have been produced using non-perforated and inwardly bent metal.
	The standard straight lengths are produced as 3m lengths.

EAE Trunking Tray System Table product scale shows a variety of products according to their outer sizes. Height and width values are stated below.

50 x 50	75 x 75	100 x 100	150 x 150
50 x 75	75 x 100	100 x 150	100 x 200

For the production of 100x200 and 150x150 trays 1.5mm pre galvanized sheet steel is used, for other tray sizes 1,2 mm thickness is used.

Straight trays and riser modules are supplied with covers.

For straight trays, 3 fixing points are provided to lock the covers into place. Each lock point needs 2 units for the 100, 150 and 200 mm widths and 1 unit for the covers which have a width of 50 and 75 mm.

TKS Series Trunking Tray Covers have a specific locking system. It can be simply locked by turning the lock a quarter turn of the way round. A tongue placed underneath the cover is used to fix the cover by simply turning it a quarter turn.

The tray being earthed is vital for the telephone and data cables. EAE Trunking Ladder In this system every straight piece and elbow at all joints have positions for lowering the resistance of the earth continuity and transition link. The links for these are provided in the product range.

Straight module Channels and TKS Modules are able to be fixed together.

Two connecting components must be used at each connector point.

Depending on the height of the cable Tray system at joints the use of M6x12 pan-head screws and M6 square nut with serrated edges can be changed with Additional screw modules.

For 50 and 75 mm height there are two sets of each connector component.

For 100 mm height there are four sets of each connector component.

For 150 mm height there are six bolt sets for each connector component.

Connector components are used during the assembly of the riser module.

Connectors are attached with the help of the pieces already found on the modules.

Riser modules are produced with circular pieces making it easy to use especially with soft canals, as it doesn't have a negative effect on the cables used.

Pregalvanized Trunking Duct System:

Raw materials in line with TS EN 10346 - TS EN 10143 standards should be used. Total galvanized dipping thickness should be 14 μm .

Hot Dipping Trunking Duct System:

Hot dipping should be applied according to TS EN 1461 standards. Total galvanized dipping thickness should be 45 - 55 μm .

►► **EAE UNIVERSAL sheet steel CABLE TRAYS PRODUCT SPECIFICATIONS (CTHF-E)**
Universal Cable Tray Systems & Universal Hanger Systems

- 1) In places where indicated on the project, Universal Cable Carriers made of perforated sheet steel in order to horizontal lay-out of the cables, in heavy duty characteristics (the laterals are bended inwards in round shape, having a diameter of 10 mm approximately outer-to-outer dia).
- 2) Universal Cable Carriers with a width in a range of 100 - 200 mm should be made of galvanized metal sheet plates of 0,8 mm in thickness; the ones with a width in a range of 300-400 mm should be made from 1,0mm in thickness; and the ones with a width up to 500-600 mm should be made of galvanized sheet steel with 1,2 mm in thickness. The height of the lateral side with right angle at the cable carriers should be 40 mm for all ducts. However according to the cable cross-sectional area and density, in case it is required, the height of the lateral side should be up to 40-50-60mm.
- 3) Sheet steel Cable Ducts should be manufactured in units with equal-length and their lengths should not be less than 3 m.
- 4) At the laterals and inside the Universal cable ducts in order to provide the ventilation there should be holes perforated along with the entire duct. Dimensions of the holes should be 7 x 32 mm. The holes that are just at the mid-centre of the inner side of the duct should be in a single line of holes as parallel to the wider side of the duct and; the other holes should be in parallel to the elongation of the duct. **In order to enhance the strength of the duct, these holes should be formed.**
- 5) At the **CTHF-E** Cable duct production it should be complied with **TS EN ISO 1461** standards. The iron based sheet steel material in high quality after the perforation and bending process should be zinc-coated through hot-dip method as per **TS EN ISO 1461** standards. Prior to zinc-coating the required cleaning and degreasing procedures should be carried out. For the finishing process the cleaning, rinsing should be done and than, a flux bath should be applied. The thickness of galvanize should be minimum 45 μm . After the galvanizing procedure the final check and cleaning of the material should be done.
- 6) In case it is requested, after this manufacturing, electrostatic powder paint with a RAL code and made of epoxy polyester material should be applied. After the painting procedure, it should be baked at 180° C in an oven. The thickness of the paint should be minimum 50 μm . Later, the painted ducts and its accessories should be packaged for the protection purposes. The length of the painted ducts made of galvanize should be L=3000 mm. (In case cable duct cuts, etc. happens during the installation, the electrostatic paint which is diluted in cellulose thinner in a cup – it must be in viscosity of oil paint- should be touched up with a brush where the cut places and be waited for 2 hour to dry up.
- 7) In places where the heights of the Universal Cable Ducts happen to vary, a level modifying module or level modifying appendixes should be used.
- 8) In places where the Carrying Duct changes direction (as per the requirement): A 90° horizontal turning element, an horizontal (T) Connection element, a quadruple (+) turning element, a Concave turning elements and a convex turning elements should be used. The usage sectors of these elements should not be sharp-edged.
- 9) At the vertical rising and declining, panel cable connections, socket group, etc. connections: Vertical (T) declining element from the wall – Vertical (T) Declining/Rising from the center element should be used.
- 10) The inter-connections of the carrying Ducts should be made by Attachment Elements. The length of each size is 3 m. 2 pieces of joint element per each three metres shall be used. The installation of the all returning elements shall be made by intertwining to each other (**there is no need to joint element**). The holes for the bolts should be compatible with the M6 joint bolts set. M6x12- round head lockable bolt and skirted-flanged nuts set should be used.
- 11) Due to cable intensity, the connection of ducts used at different width values shall be made by means of Reduction Modules.
- 12) For the installation of the connections, **Laquer coated**, bolts and nuts etc. (M6 Joint Bolts set) as per metric system shall be used.
- 13) For all connections of the return modules and reduction modules (for H=40-50mm), 4 each (for H=60mm) and 8 each M6x12 Joint bolts and nuts set should be used.
- 14) Cable trays should not be walked on or used as walkways.

►► EAE UNIVERSAL CABLE TRAY SPECIFICATIONS (CTH-CTA) Universal Cable Tray Systems & Universal Hanger Systems

- 1) In the places designated in the project, the Cable Trays of EAE brand made of perforated (Imperforated should read non-perforated) sheet steel, having side edges rounded inwards (approx. 10mm in external diameter) and designed for use in heavy duty applications should be used **for horizontal distribution of cables**.
- 2) Sheet steel Cable Trays should be produced as uniform units of equal length of $L = 3m$.
- 3) Long holes should be opened at the bottom and on the sides of Cable Trays in order to ensure air circulation. The holes should be in 3 different sizes in the order of 25mm x 7mm 15mm x 7mm 35mm x 7mm, successively. The holes should be free of any burrs. On demand, it should be possible to produce Cable Trays without any holes. (In the case of imperforated Cable Trays, the holes should be opened only at the joints.). **The perforation rate should be Class C conforming to TS EN 61537.**
- 4) It is essential that low current installation cables are segregated either by a metal separator, the same length and height of the cable tray, which should be fixed into the cable tray, or alternatively the low current cables should be run in a separate cable tray. The cables should be fixed to the Cable Tray by means of a plastic cable strip.
- 5) In the production of Cable Trays, the **TS 914 EN ISO 1461** standards should be complied with. Following the drilling and rolling process, the high-quality sheet steel of iron base should be coated with zinc using the hot dip method conforming to **TS 914 EN ISO 1461** standards. Prior to zinc coating process, the necessary cleaning and oil removing treatments should be made. As a final treatment, the product should be washed, rinsed and then subjected to a flux bath. The thickness of galvanizing coat should be 45 μ (micron). Following the galvanizing process, the final controls and cleaning of the product should be made.
- 6) In places where the Cable Tray descends or ascends, the level adaptation modules or level adaptation joining pieces should be used.
- 7) In places where the Cable Tray changes direction, the 90° horizontal elbows, "T" shaped horizontal connecting pieces and cross shaped horizontal turning pieces should be used.
- 8) In vertical descends and ascends, in panel cable connections and in socket group connections etc., "T" shaped wall descending piece and "T" shaped vertical central descending / ascending pieces should be used.
- 9) The connection of Cable Trays to each other should be made by means of two joining pieces for each Ladder. The mounting of all turning pieces to the Cable Tray should be made using joining pieces.
- 10) In the case of densely placed Cable Trays, the connections of Cable Trays of different width should be realized using the **"Z" type** reduction modules. The central reduction module should comprise two symmetrical pieces. The left and right reduction modules should comprise a combination of one normal reduction piece and one joining piece.
- 11) In the mounting of joints, the lacquer coated M6 bolt and nut set should be used. The size of bolts should conform to M6 x12. The bolts should be round headed, flanged and capable of self locking into their holes. The M6 nuts should be flanged and snug headed.
- 12) For the mounting of both joining modules and reduction modules, 4 joining bolt and nut set should be used for Cable Trays having a side height of 40-50-60mm while 8 sets should be used for a side height of 75mm and 12 sets for a height of 100mm.
- 13) Cable trays should not be walked on or used as walkways.

►► EAE UNIVERSAL CABLE LADDER SPECIFICATIONS (KMH-KMA) Universal Cable Ladder Systems & Universal Hanger Systems

- 1) Universal Cable Ladders shall be used in the places designated in the project for supporting power cables in their horizontal and vertical distribution.
- 2) The upper edge of sides of Cable Ladders should be provided with a bend of 16mm x 10mm in order to increase their strength, and the lower edge should be provided with a 25mm bend for welding rungs.
- 3) The holes opened on the sides of Cable Ladders for the purpose of making joints shall be 7mm x 20mm in size.
- 4) The rungs of Cable Ladders shall be welded to the sides at intervals of 300mm.
- 5) The Cable Ladders should be produced from metal sheet of 1.5mm or 2mm thickness. The sheet steel thickness of rungs should be same as the thickness of sheet steel at the sides.
- 6) The Cable Ladders should be produced in equal lengths of 3m.
- 7) The rungs of Cable Ladders should be produced in type omega or type C.
 - a) U rungs should have a height of 15mm with holes of 7.5mm x 15mm opened at intervals of 19mm from centre to centre.
 - b) C rungs should have a height of 18mm with holes of 7.5mm x 18mm opened at intervals of 19mm from centre to centre.
- 8) In the production of Cable Ladders, the **TS EN 61537 TS 914 EN ISO 1461** standards should be complied with. Following the drilling and bending process, the high quality sheet steel of iron base should be coated with zinc using the hot dip method conforming to **TS 914 EN ISO 1461** standards. Prior to zinc coating process, the necessary cleaning and oil removing treatments should be made. After said treatments, the product should be washed, rinsed and then subjected to a flux bath. The thickness of galvanizing coat should be 45m (micron).
- 9) In places where the Cable Ladder descends or ascends, the level adaptation modules or level adaptation joining pieces should be used.
- 10) The connection of Cable Ladders to each other should be made by means of two joining pieces for each Ladder. The mounting of all turning pieces to the Cable Ladder should be made using joining pieces.
- 11) In places where the Cable Ladder changes direction, the 90° horizontal elbows, "T" shaped horizontal connecting pieces and cross shaped horizontal turning pieces should be used.
- 12) In the case of densely placed Cable Ladders, the connections of Cable Ladders of different width should be realized using the **"Z" type** reduction modules. The central reduction module should comprise two symmetrical pieces. The left and right reduction modules should comprise a combination of one normal reduction piece and one joining piece.
- 13) In the mounting of joints, the lacquer coated M6 bolts and nut set should be used. The size of bolts should conform to M6 x12. The bolts should be round headed, flanged and capable of self locking into their holes. The M6 nuts should be flanged and snug headed.
- 14) For the mounting of both joining modules and reduction modules, 4 joining bolt and nut sets should be used for Cable Ladders having a side height of 40-50-60mm while 8 sets should be used for a side height of 75mm and 12 sets for a side height of 100mm.
- 15) Cable ladders should not be walked on or used as walkways.

►► EAE CABLE BASKET SYSTEMS - GENERAL PRODUCT FEATURES (TLS) E-Line Cable Baskets and Support Systems

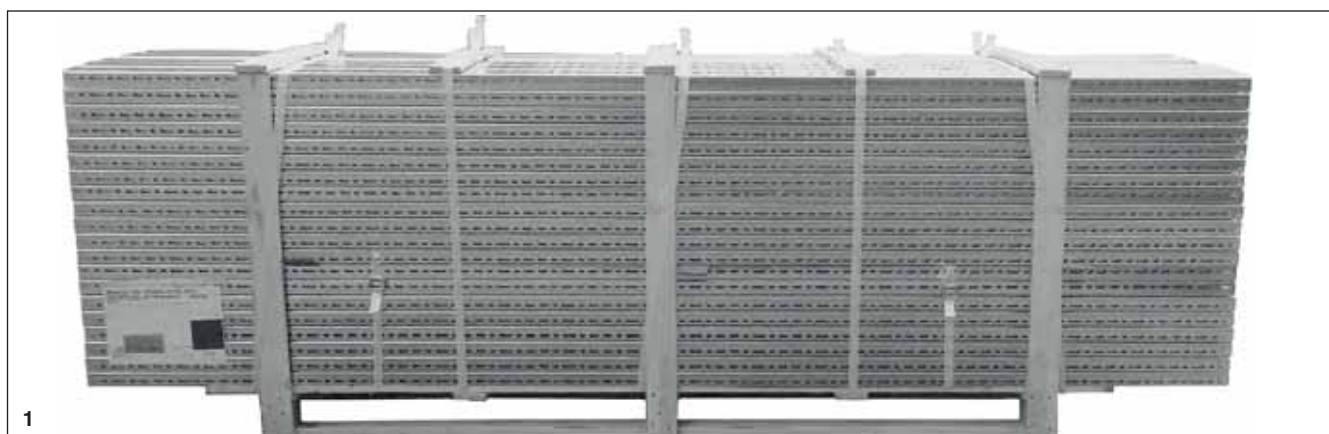
1. In the places designated in the project, used to carry for horizontal and vertical distribution of cable.
2. Cable Baskets should be produced as uniform units of equal length of L=3m.
3. Horizontal and vertical strings of Cable Basket are produced as Ø4 and Ø5.
4. Cable Baskets are created with horizontal strings combined 100mm spacing in the vertical direction or created with vertical strings combined 50mm spacing in the horizontal direction.
5. It is essential that low current installation cables are segregated either by a metal separator, the same length and height of the cable tray, which should be fixed into the cable tray, or alternatively the low current cables should be run in a separate cable tray. The cables should be fixed to the Cable Basket by means of a plastic cable strip.
6. Following the drilling and rolling process, the high-quality wire of iron base should be coated with zinc using the hot dip method conforming to Electro Galvanized (EG) (DIN 50961, TSE 149) Standards. Electro Galvanized is a method that allows adhesion of steel by electrolysis. Revealed coating thickness in the range of 10-15 microns by electro galvanizing method. Electro-galvanized products are suitable for indoor applications and represent approximately 96 hours of endurance testing in salt. Products have clean, smooth and shiny appearance.
7. YD, T, AD turning modules process of Cable Basket are completed either as a single product or cutting-joining methods like described in catalog.
8. Cable Baskets should be done with three additional element for connection to each other. And installation of turning pieces should be done with additional elements.
9. In the mounting of joints, the lacquer coated M8 bolt and nut set should be used. The size of bolts should conform to M8x16. The bolts should be round headed, flanged and capable of self locking into their holes. The M8 nuts should be flanged and snug headed.
10. Cable trays should not be walked on or used as walkways.

►► EAE CABLE BASKET SYSTEMS - GENERAL PRODUCT FEATURES (TLS) E-Line Cable Baskets and Support Systems

1. In the places designated in the project, used to carry for horizontal and vertical distribution of cable.
2. Cable Baskets should be produced as uniform units of equal length of L=3m.
3. Horizontal and vertical strings of String Cable Trays are produced as Ø4 and Ø5.
4. Cable Baskets are created with horizontal strings combined 100mm spacing in the vertical direction or created with vertical strings combined 50mm spacing in the horizontal direction.
5. It is essential that low current installation cables are segregated either by a metal separator, the same length and height of the cable tray, which should be fixed into the cable tray, or alternatively the low current cables should be run in a separate cable tray. The cables should be fixed to the Cable Basket by means of a plastic cable strip.
6. Following the drilling and rolling process, the high-quality wire material of stainless base should be pacified by chemical processing (acid cleaning and passivation of the surface cleaning) is prevented that may occur color changes from thermal effects with the stainless steel method conforming to (SS4 & SS6) (AISI 304 / 1.4301, AISI 316 / 1.4404) Standards. Grade 316 of stainless steel is preferred especially in marine and industrial environments. Grade 316 of stainless steel is one of molybdenum-containing austenitic class stainless steel, has high anticorrosive and mechanical properties. Especially prone to forming and welding. Products are suitable for marine environment, petroleum and chemical plants. Grade AISI 304 (1.4301) of stainless steel is used in factory, fronts and similar corrosion level environments, because of high anti-corrosive properties. No need for extra coating on stainless steel surfaces. Grade AISI304 and 316 of stainless steel is ideal material for extreme corrosive environments.
7. YD, T, AD turning modules process of Cable Basket are completed either as a single product or cutting-joining methods like described in catalog.
8. Cable Baskets should be done with three additional element for connection to each other. And installation of turning pieces should be done with additional elements.
9. In the mounting of joints, the lacquer coated M8 bolt and nut set should be used. The size of bolts should conform to M8x16. The bolts should be round headed, flanged and capable of self locking into their holes. The M8 nuts should be flanged and snug headed.
10. Cable trays should not be walked on or used as walkways.

►► Packaging

1- Cable Trays&Ladders and Modules are packed using wooden pallets in order to ensure safe transportation to site. After being stacked on the wooden pallets the products are bound to the pallet using PVC strapping to prevent the goods sliding from the pallet. Wooden laths nailed on the sides and onto the palette ensure protection against forces that may possibly come from above and sides.



2- Support and suspension equipment used in the installation of the cable tray is covered using shrink wrap. Packages do not contain more than a total weight of 25 kg of product to facilitate the ease of transport. Product amount within the package are stuck onto the package are arranged in 10 units or tenfold unit to facilitate counting. Labels containing the code, description, small technical drawing of the product and specifying the content and amount within the package are adhered onto the packages for easy product identification. Small product packages then are stacked onto wooden palette and wrapped against scattering and supported on the sides using PVC strapping.



3 - Accessories such as joint components, screws, nuts, dowels etc, are packed within cardboard parcels. in order to prevent screws, nuts, washers and dowels from rusting., they firstly are put into nylon bags. All parcels are prepared not exceeding 25kg and are identified by labels indicating product information. Small product packages then are stacked onto wooden palette and wrapped against scattering and supported on the sides using PVC strapping.

All pallets are identified with labels indicating product information contained within. Palette labels also contain customer information and palette total weight.

Package type above is for large scale projects. It may differ for small deliveries and warehouses.

PRODUCT TYPES



BUSBAR ENERGY DISTRIBUTION SYSTEMS



CABLE TRAYS



TROLLEY BUSBAR ENERGY DISTRIBUTION SYSTEMS



INDOOR SOLUTIONS



SUPPORT SYSTEMS

Please visit our website for the updated version of our catalogues.
www.eaeelectric.com



EAE Elektrik A.S.
Head Office
Akcaburgaz Mahallesi,
3114. Sokak, No:10 34522
Esenyurt - Istanbul - TURKEY
Tel: +90 (212) 866 20 00
Fax: +90 (212) 886 24 20

EAE DL 1 Factory
Cable Tray
Makine Ihtisas Organize Sanayi
Bolgesi Mahallesi, 6. Cadde,
8. Sokak, No:2 41455
Dilovası - Kocaeli - TURKEY
Tel: +90 (262) 502 05 65
Fax: +90 (262) 502 05 70

Please visit our website for the updated version of our catalogues.
www.eaeelectric.com



Catalogue 11-Eng. / Rev 17 500 pcs. 11/08/2021
S.S.

EAE has full right to make any revisions or changes on this catalogue without any prior notice.

